



US00D443984S

(12) **United States Design Patent**
Lacy et al.

(10) **Patent No.:** **US D443,984 S**

(45) **Date of Patent:** **** Jun. 26, 2001**

(54) **WOODEN BASKET**

(75) Inventors: **Sun Lacy**, Newark; **Leane M. Lefever**,
Frazzysburg, both of OH (US)

(73) Assignee: **The Longaberger Company**, Newark,
OH (US)

(**) Term: **14 Years**

(21) Appl. No.: **29/125,579**

(22) Filed: **Jun. 26, 2000**

Related U.S. Application Data

(63) Continuation-in-part of application No. 29/104,554, filed on
May 7, 1999, now Pat. No. Des. 426,956.

(51) **LOC (7) Cl.** **03-01**

(52) **U.S. Cl.** **D3/309**

(58) **Field of Search** D3/303-315; 217/122-125

(56) **References Cited**

U.S. PATENT DOCUMENTS

D. 434,227	*	11/2000	Lacy et al.	D3/306
1,394,463	*	10/1921	Allen	217/122
1,494,195	*	5/1924	Smith	217/122
1,906,324	*	5/1933	Madison et al.	217/124
2,054,744	*	9/1936	Florang	217/123
2,449,899	*	9/1948	Johns	217/122
2,808,171	*	10/1957	Wilson	217/124

OTHER PUBLICATIONS

Longaberger Wish List, Cover Page, 1994-1995.*
Tender Heart Treasures, Ltd. Pocket Wall Baskets, p. 15,
Spring 1998.*

* cited by examiner

Primary Examiner—Louis S. Zarfaz

Assistant Examiner—Catherine R. Oliver

(74) *Attorney, Agent, or Firm*—Porter, Wright, Morris &
Arthur LLP

(57) **CLAIM**

The ornamental design for wooden basket, as shown and
described.

DESCRIPTION

FIG. 1 is a perspective view of the wooden basket showing
our new design;

FIG. 2 is a front view thereof;

FIG. 3 is a left side view thereof;

FIG. 4 is a rear view thereof;

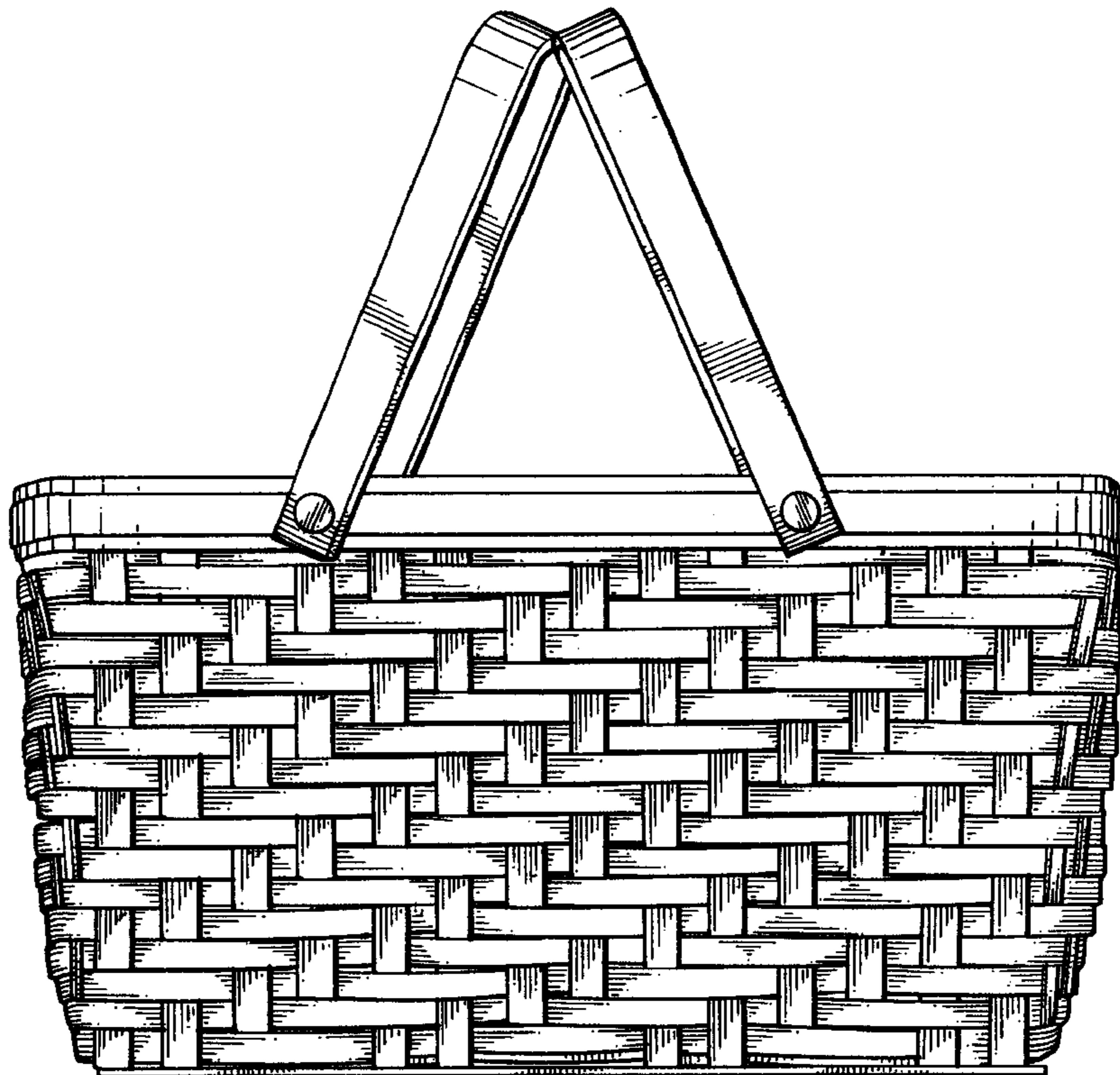
FIG. 5 is a right side view;

FIG. 6 is a top view thereof;

FIG. 7 is a bottom view thereof; and,

FIG. 8 is a perspective of another embodiment of our design,
having an appearance identical to that of the first embodi-
ment except for a single stationary handle instead of two
pivotable handles.

1 Claim, 8 Drawing Sheets



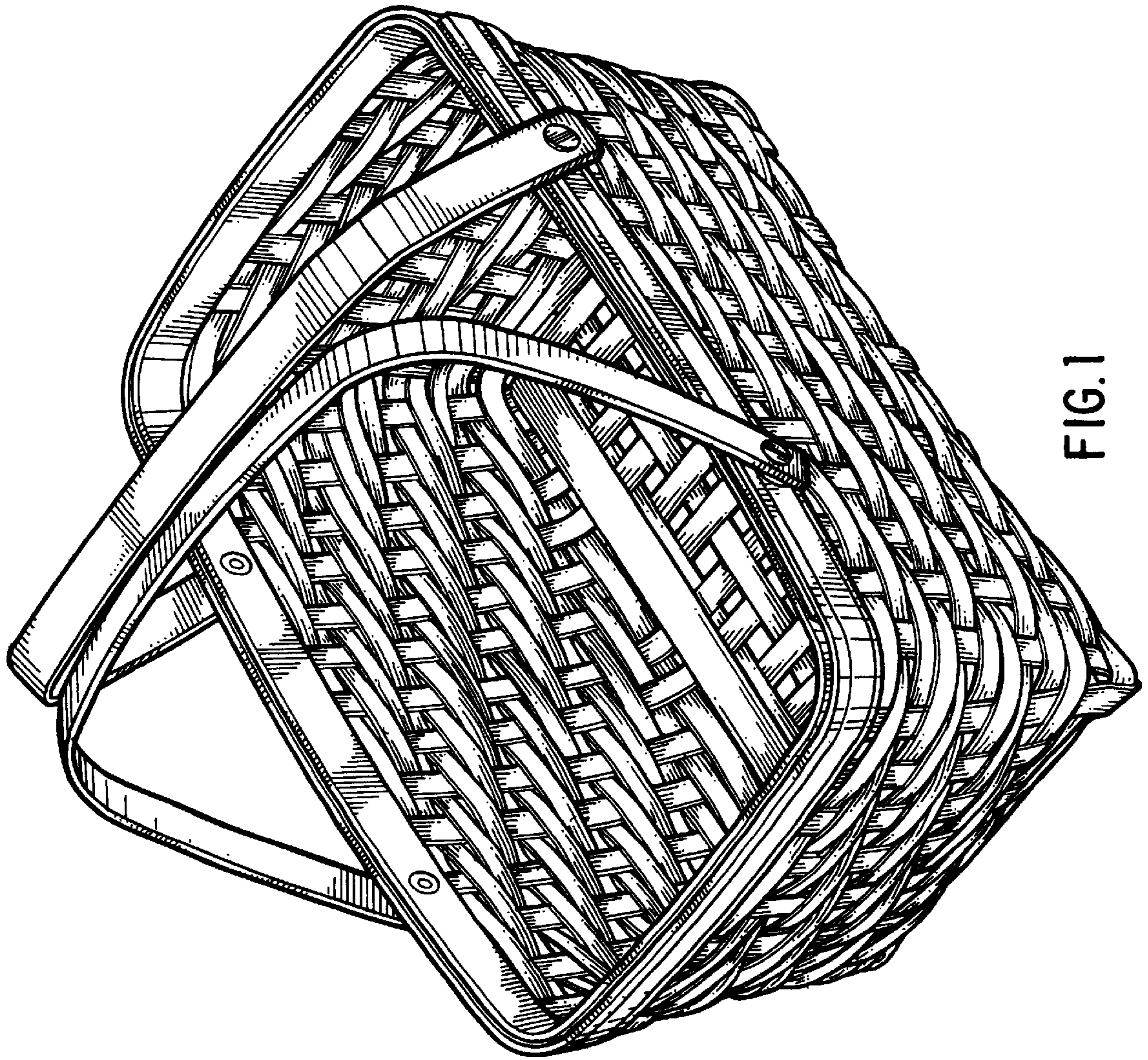


FIG. 1

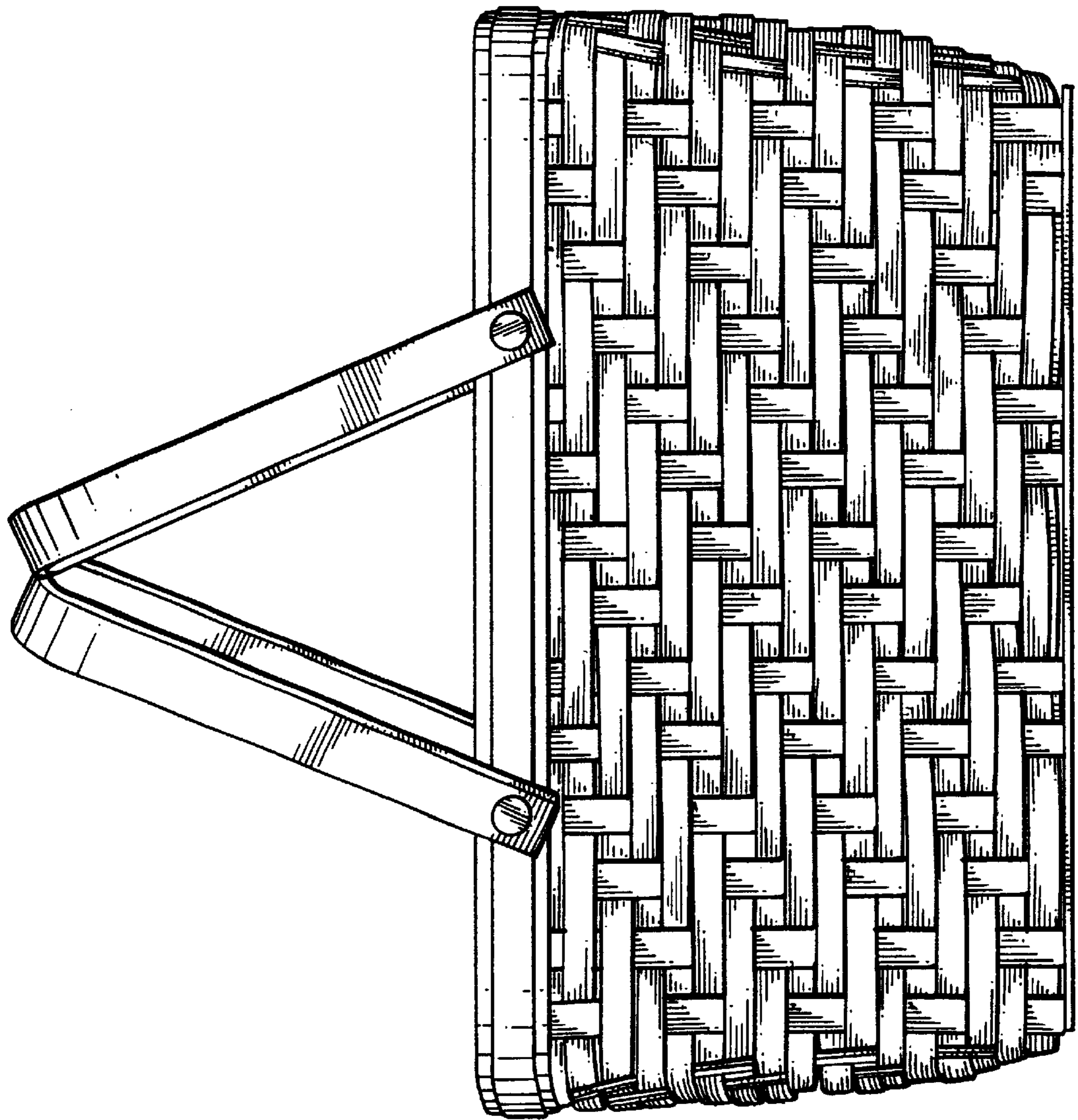


FIG. 2

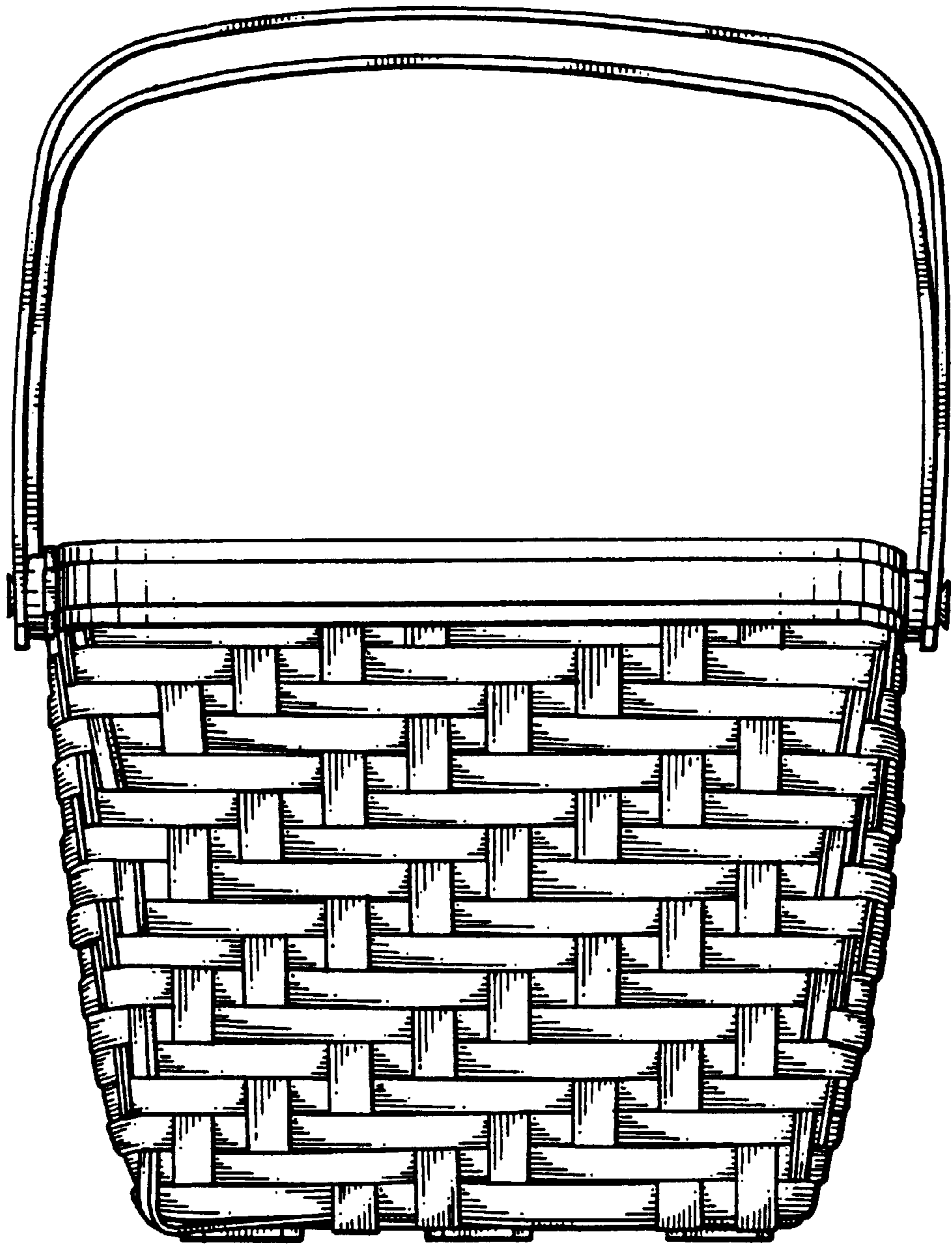


FIG. 3

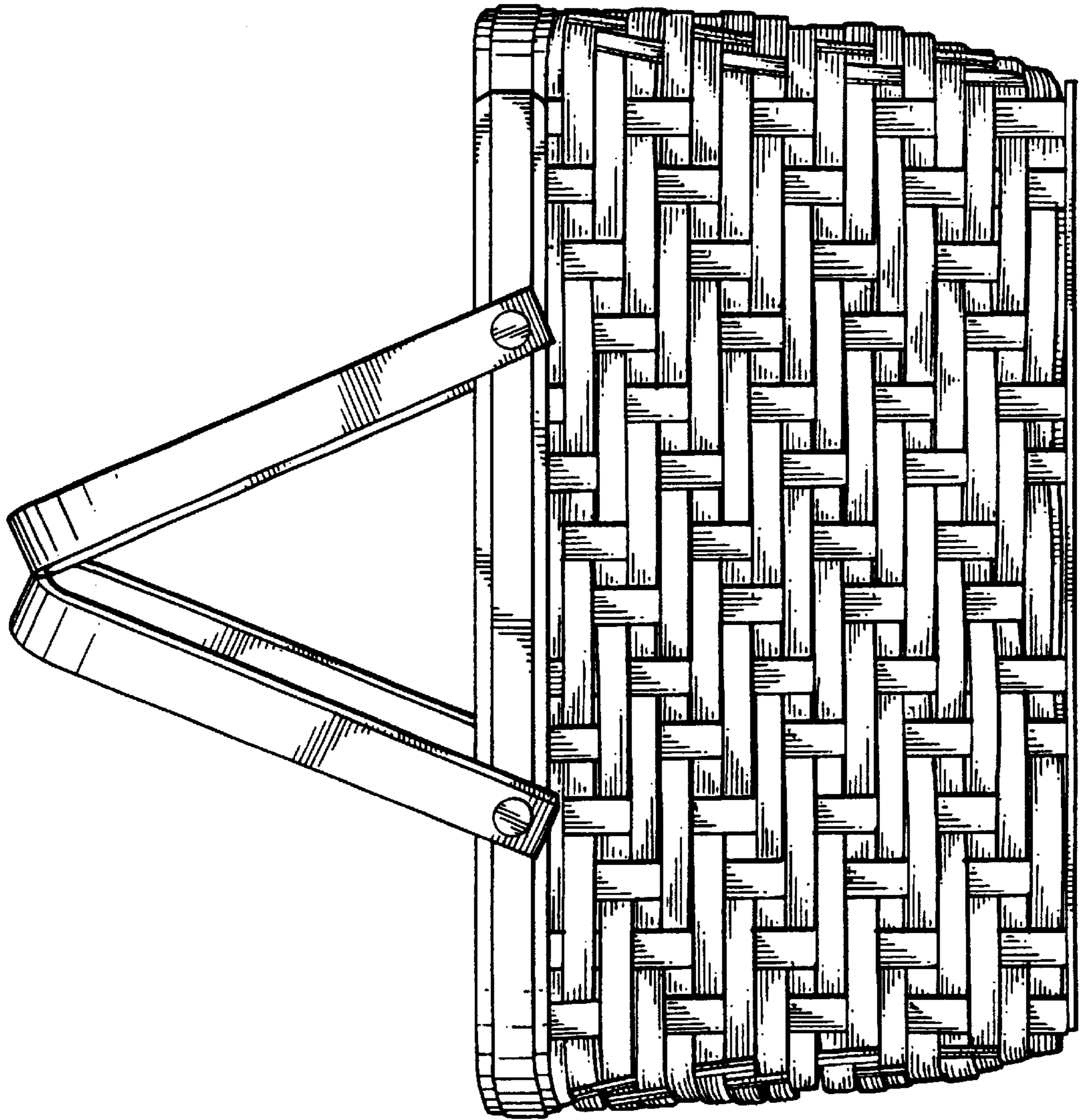


FIG. 4

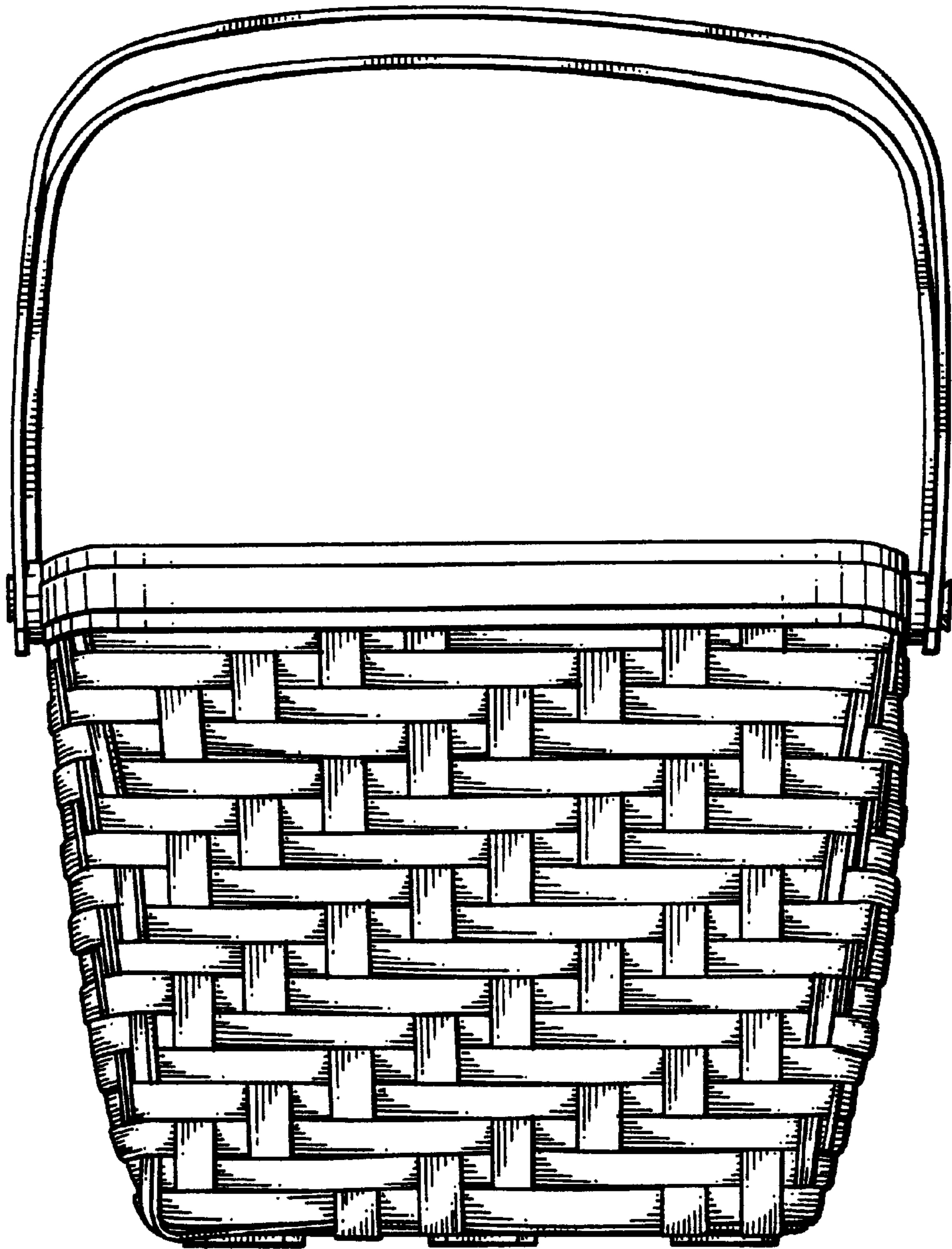


FIG. 5

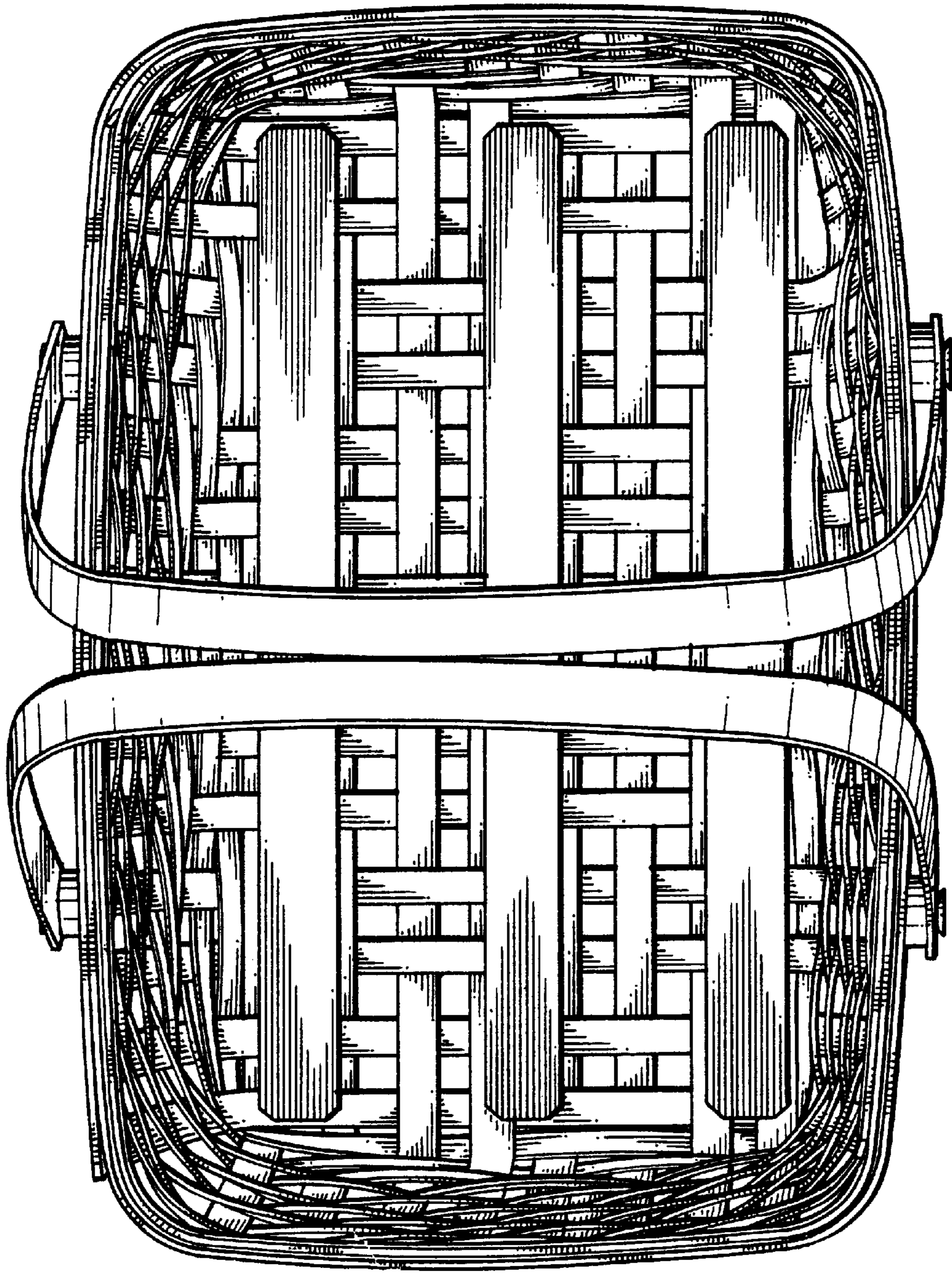


FIG. 6

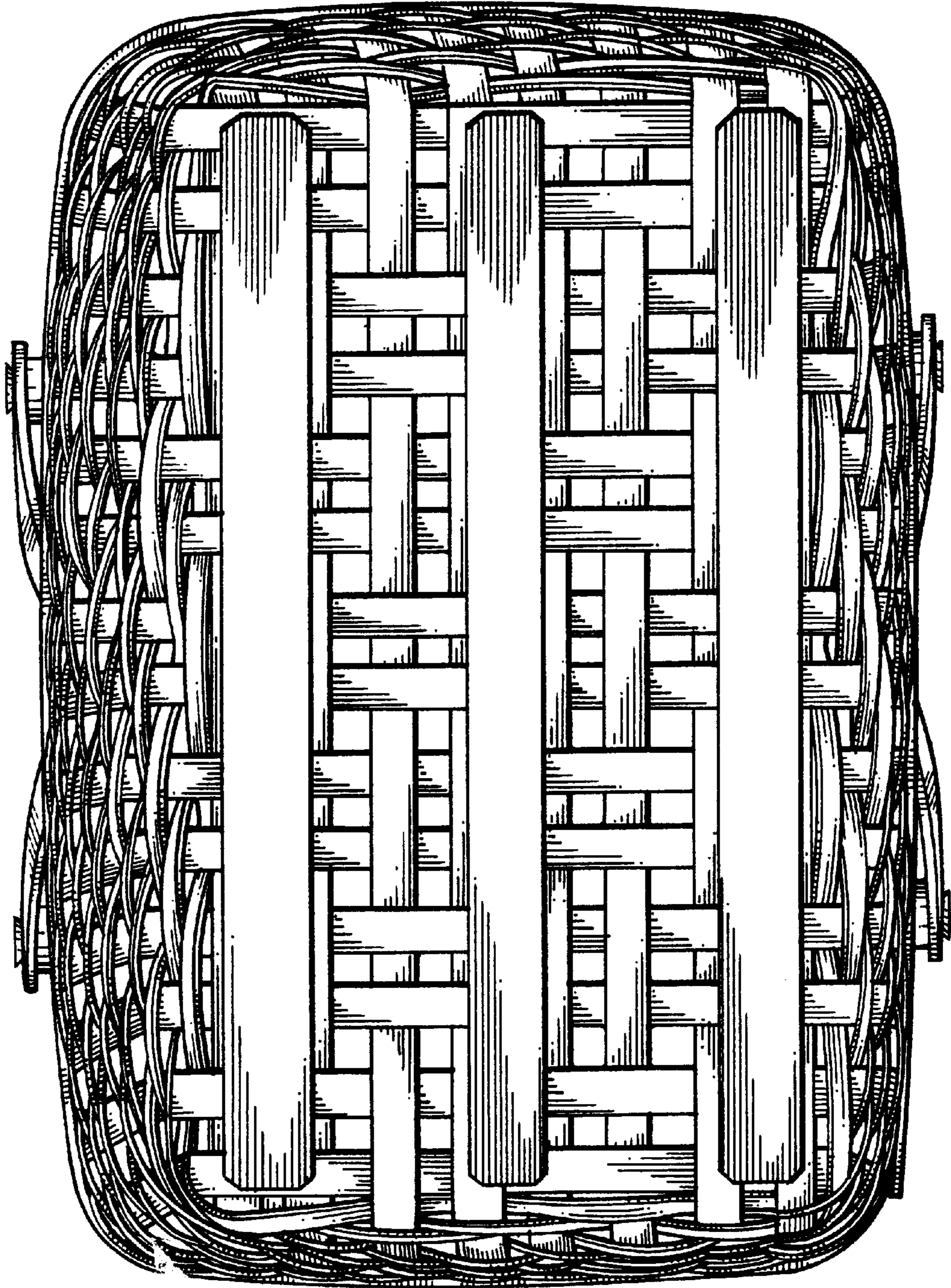


FIG. 7

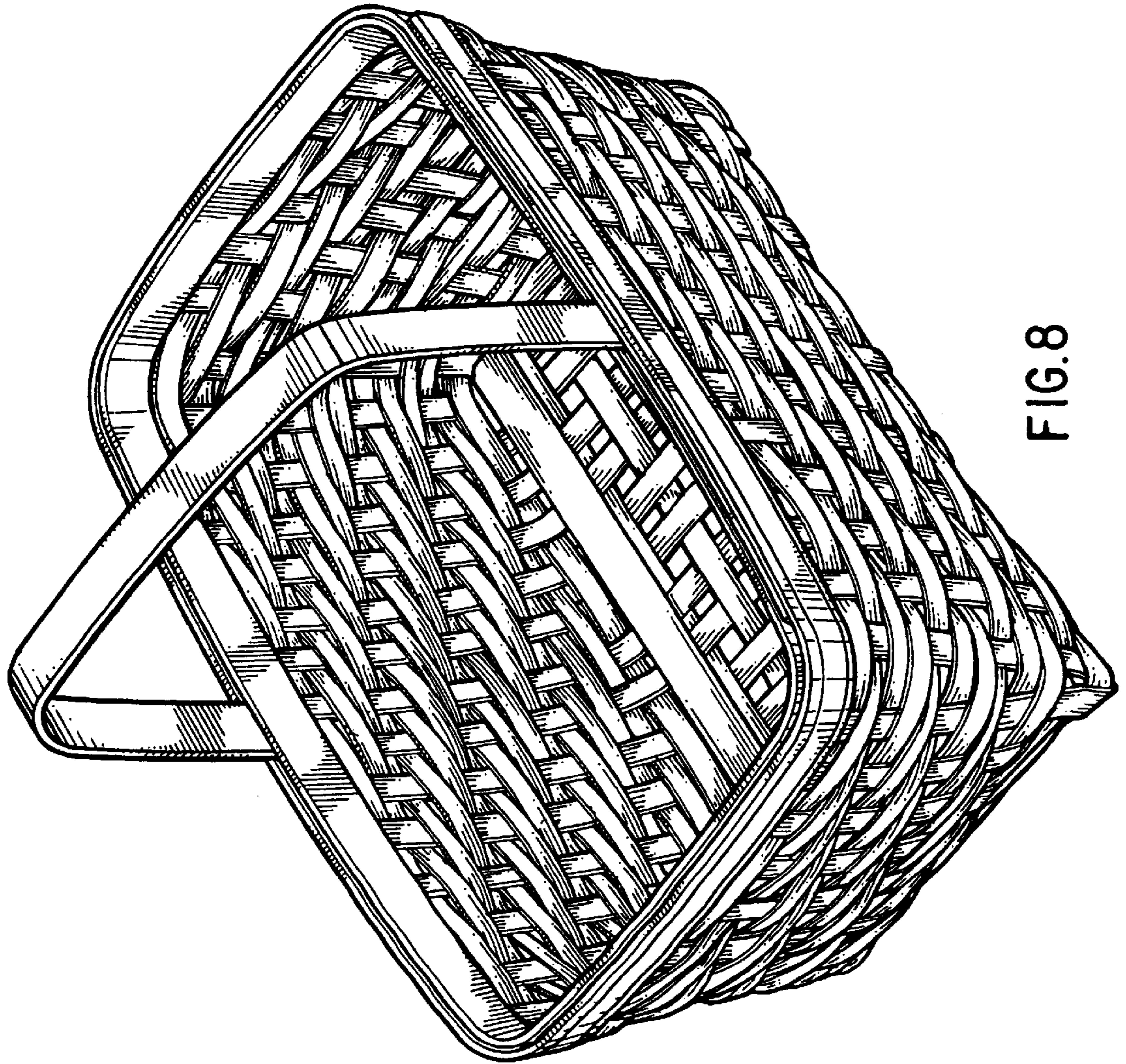


FIG. 8