



US00D443980S

(12) **United States Design Patent**
Stewart

(10) **Patent No.:** **US D443,980 S**

(45) **Date of Patent:** **** Jun. 26, 2001**

(54) **CANTEEN**

(76) **Inventor:** **Weldon R. Stewart**, P.O. Box 605,
Manchaca, TX (US) 78652

(**) **Term:** **14 Years**

(21) **Appl. No.:** **29/130,349**

(22) **Filed:** **Sep. 29, 2000**

(51) **LOC (7) Cl.** **09-02**

(52) **U.S. Cl.** **D3/202; D3/215**

(58) **Field of Search** **D3/202, 215; D7/507,**
D7/392, 392.1, 300.1; D9/522, 310; 220/715,
501; 210/266; 215/12.2; 206/547; 224/148.1

(56) **References Cited**

U.S. PATENT DOCUMENTS

D. 356,469	*	3/1995	Musilli et al.	D7/507
D. 407,210	*	3/1999	Lauth, III	D3/202
D. 412,640	*	8/1999	Much	D7/392
D. 413,432	*	9/1999	Much	D3/202
D. 413,485	*	9/1999	Much	D7/392.1
3,285,450		11/1966	Piker	.	
4,272,768	*	6/1981	Rookard, Jr.	215/12.2

4,450,966	*	5/1984	Villavicencio, Jr. et al.	206/547
4,550,848	*	11/1985	Sucato	220/501
4,714,550	*	12/1987	Malson et al.	210/282
4,955,572		9/1990	Simmons	.	
5,415,774	*	5/1995	Cowan et al.	210/266
5,427,271	*	6/1995	Wang	220/715
5,680,944		10/1997	Rueter	.	

* cited by examiner

Primary Examiner—Celia Murphy

(74) *Attorney, Agent, or Firm*—Richard C. Litman

(57) **CLAIM**

The ornamental design for a canteen, as shown and described.

DESCRIPTION

FIG. 1 is a front elevational view of a canteen showing my new design;

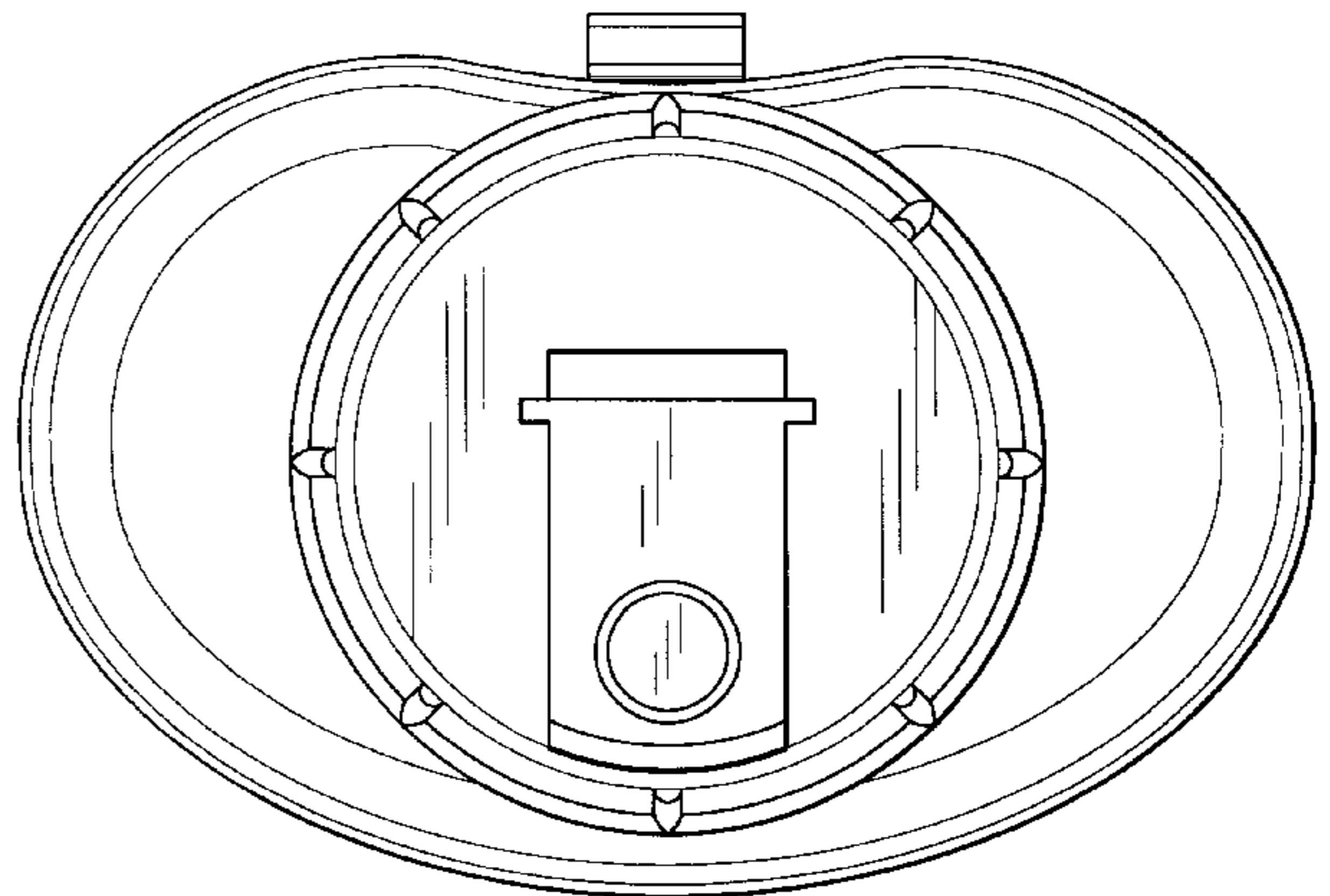
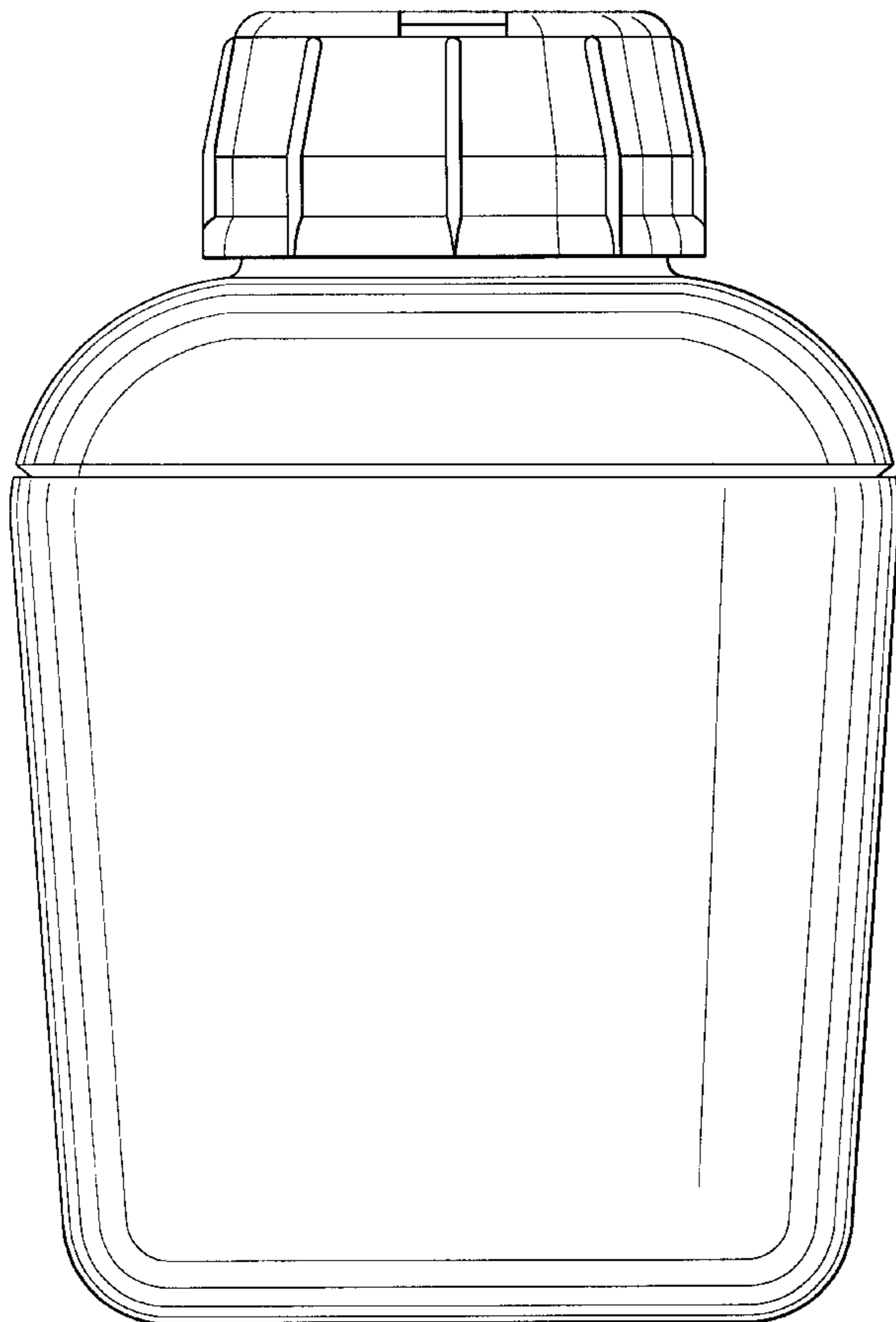
FIG. 2 is a rear elevational view thereof;

FIG. 3 is a right side elevational view with the left side being a mirror image thereof; and,

FIG. 4 is a top view thereof.

The undisclosed bottom view is plain and unornamented.

1 Claim, 4 Drawing Sheets



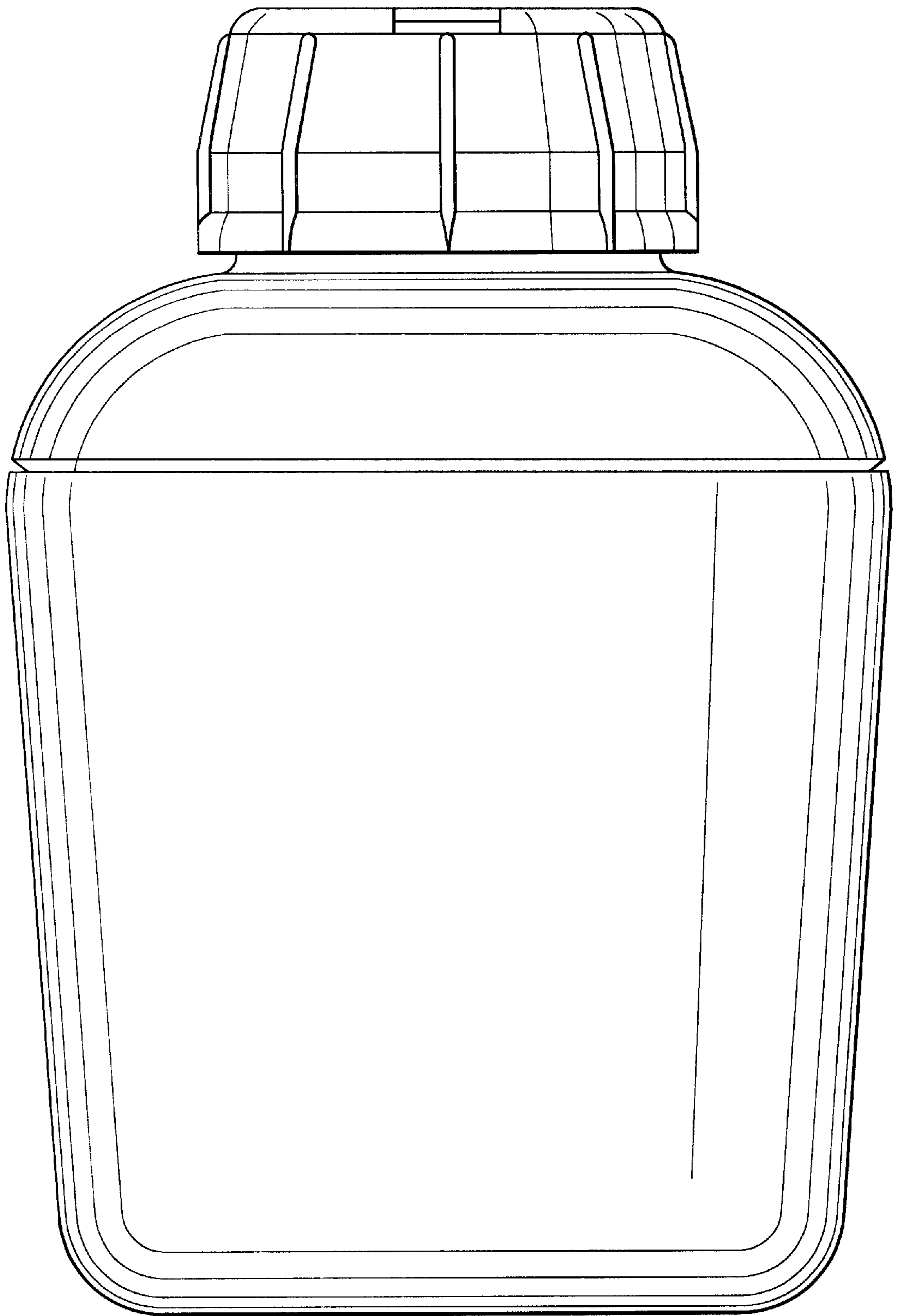


Fig. 1

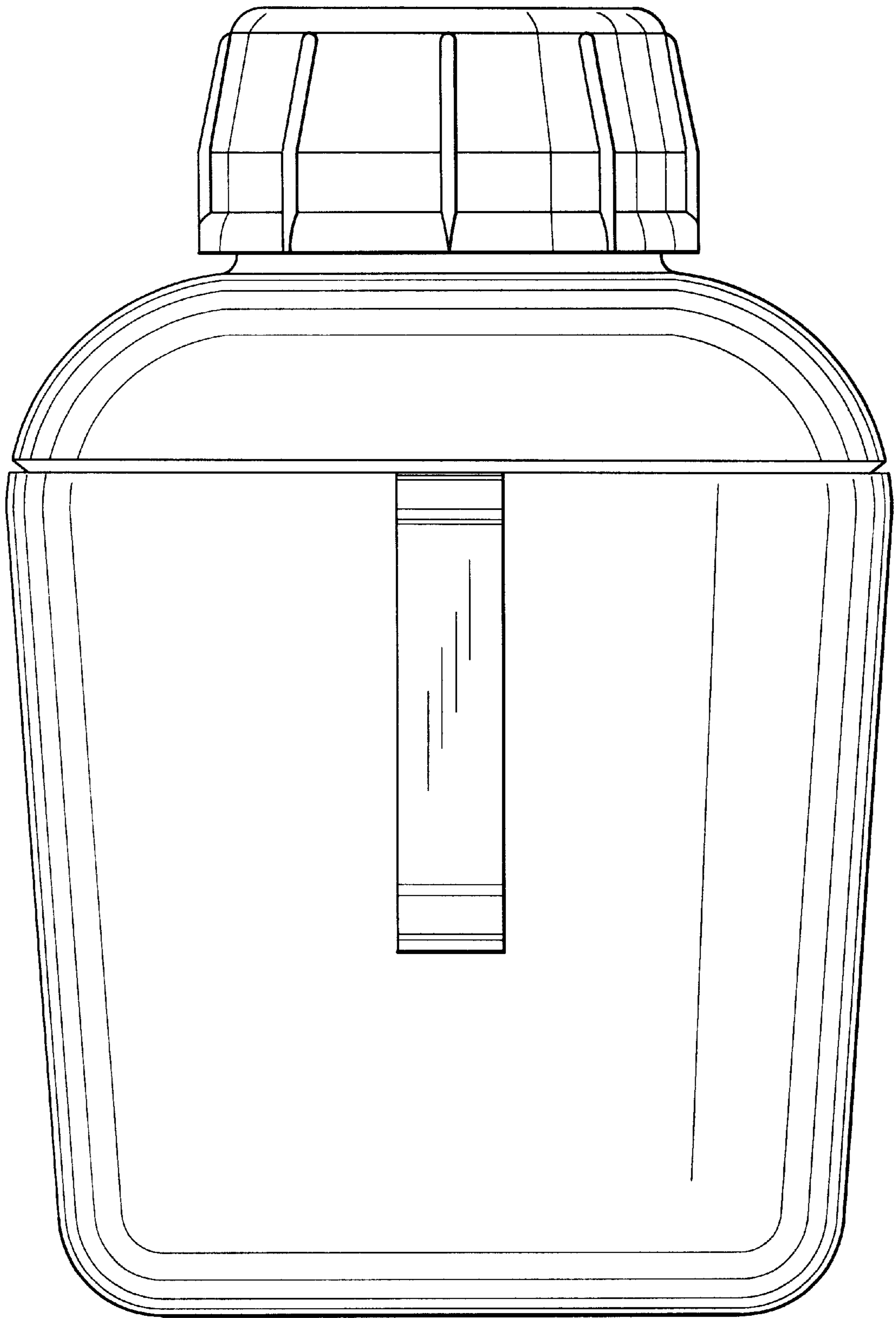


Fig. 2

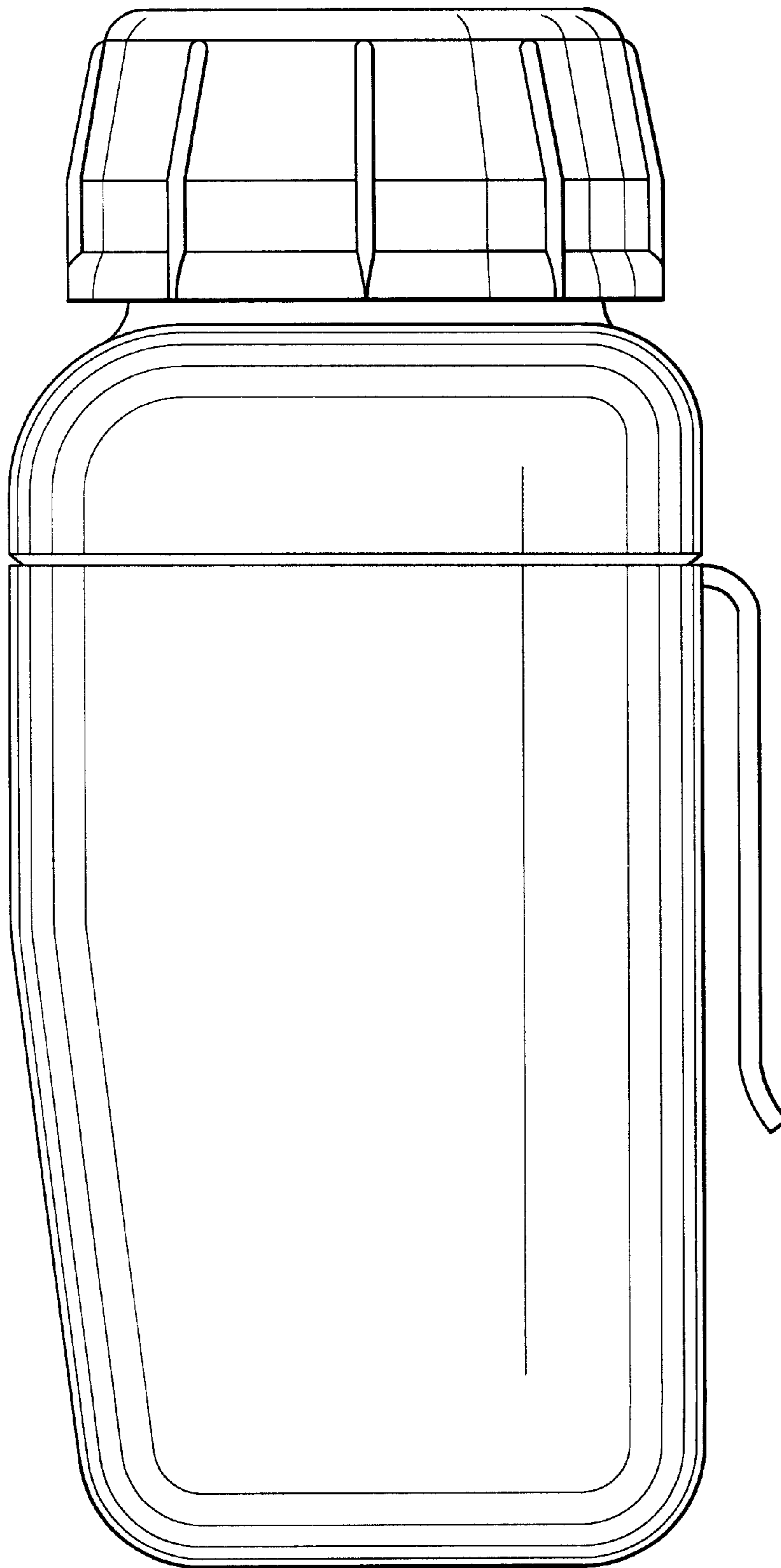


Fig. 3

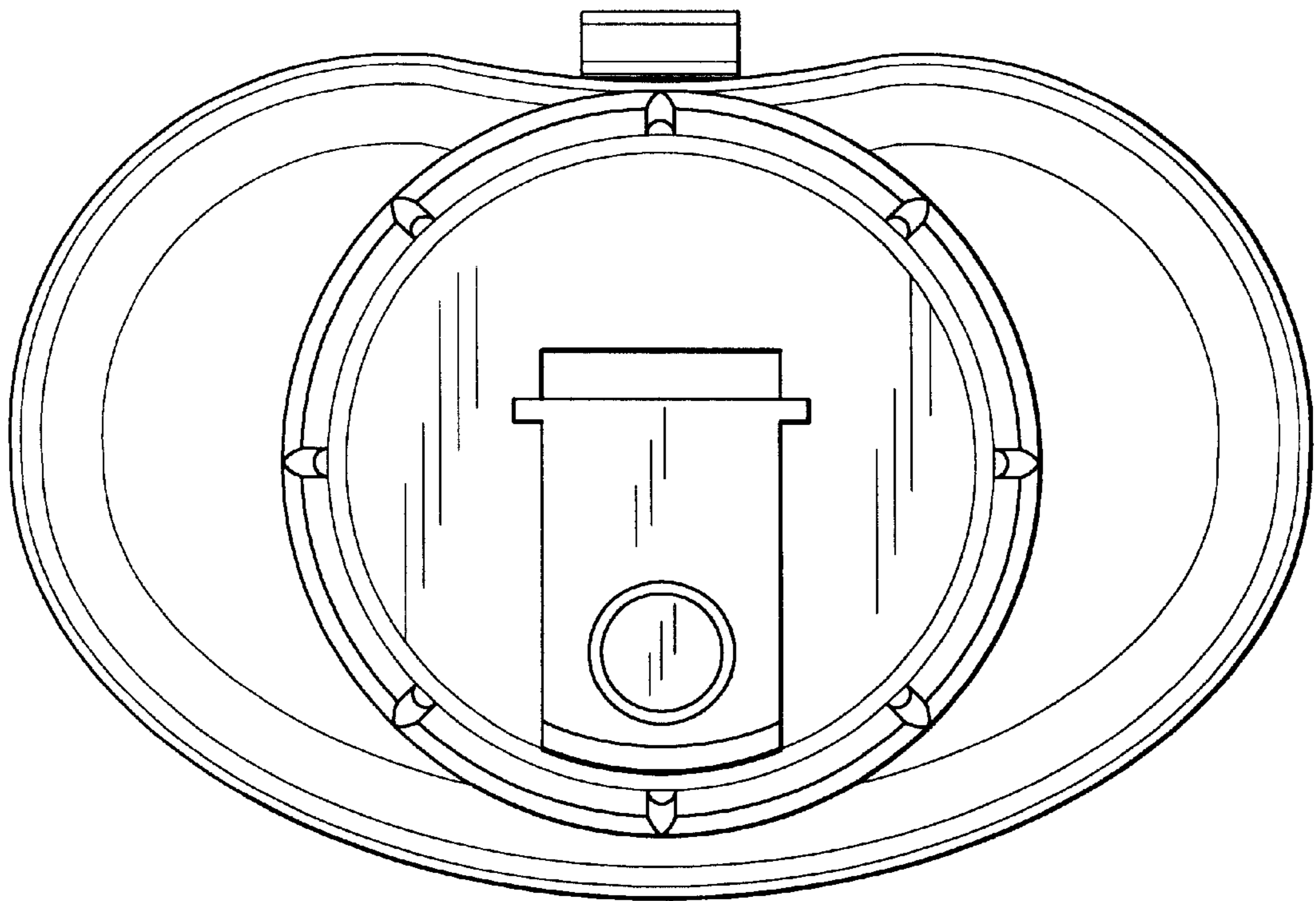


Fig. 4