



US00D443979S

(12) **United States Design Patent**  
**Rijlaarsdam**

(10) **Patent No.:** **US D443,979 S**

(45) **Date of Patent:** **\*\* Jun. 26, 2001**

(54) **FLACON**

(76) **Inventor:** **Corne Rijlaarsdam**, Boddens  
Hosangweg 84, NL-2481 La Woubrugge  
(NL)

(\*\*) **Term:** **14 Years**

(21) **Appl. No.:** **29/091,493**

(22) **Filed:** **Jul. 17, 1997**

**Related U.S. Application Data**

(63) Continuation of application No. 29/011,133, filed on Jul. 27, 1993, now abandoned.

(51) **LOC (7) Cl.** ..... **09-02**

(52) **U.S. Cl.** ..... **D3/202; D3/201**

(58) **Field of Search** ..... D3/201, 202, 263,  
D3/901; D9/307, 504, 529, 537, 449, 499,  
521, 524, 525, 526; D21/104; D28/76,  
82, 91.9; 401/38, 40, 41, 190; 215/228,  
204, 10

(56) **References Cited**

**U.S. PATENT DOCUMENTS**

- D. 231,432 \* 4/1974 Bush ..... D3/202
- D. 281,339 \* 11/1985 Hinnen ..... D21/104
- D. 285,052 \* 8/1986 Bianchi et al. .... D9/521
- D. 303,584 \* 9/1989 Bakic ..... D9/504
- D. 305,079 \* 12/1989 Tsuji ..... D3/263

- D. 309,433 \* 7/1990 Minuti ..... D9/424
- D. 329,326 \* 9/1992 Sheehy et al. .... D3/202
- D. 393,106 \* 3/1998 Rokitta et al. .... D28/85
- D. 408,591 \* 4/1999 Litton et al. .... D28/82
- D. 422,381 \* 4/2000 Gobe ..... D28/82
- D. 428,213 \* 7/2000 De Baschmakoff ..... D28/91.1
- 2,726,004 \* 12/1955 McLeod ..... D9/504
- 4,459,058 \* 7/1984 Bennett ..... 401/88

**OTHER PUBLICATIONS**

Symbol Sourcebook © 1972—Henry Dreyfuss; p. 112 Yin Yang Symbol.\*

\* cited by examiner

*Primary Examiner*—Celia Murphy

(74) *Attorney, Agent, or Firm*—Kenyon & Kenyon

(57) **CLAIM**

The ornamental design for a flacon, as shown and described.

**DESCRIPTION**

FIG. 1 is a perspective view of a flacon showing my new design;

FIG. 2 is a top plan view thereof;

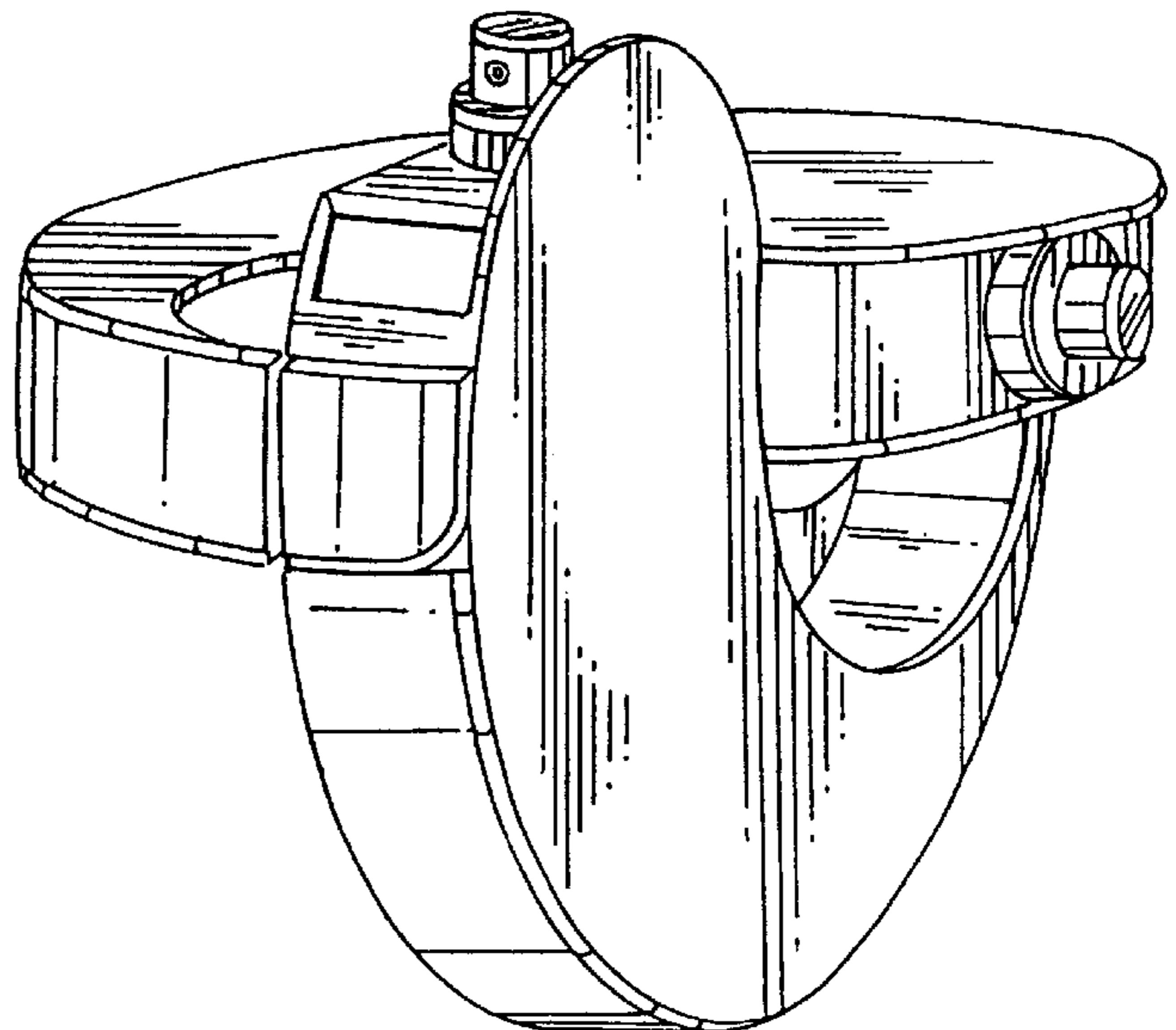
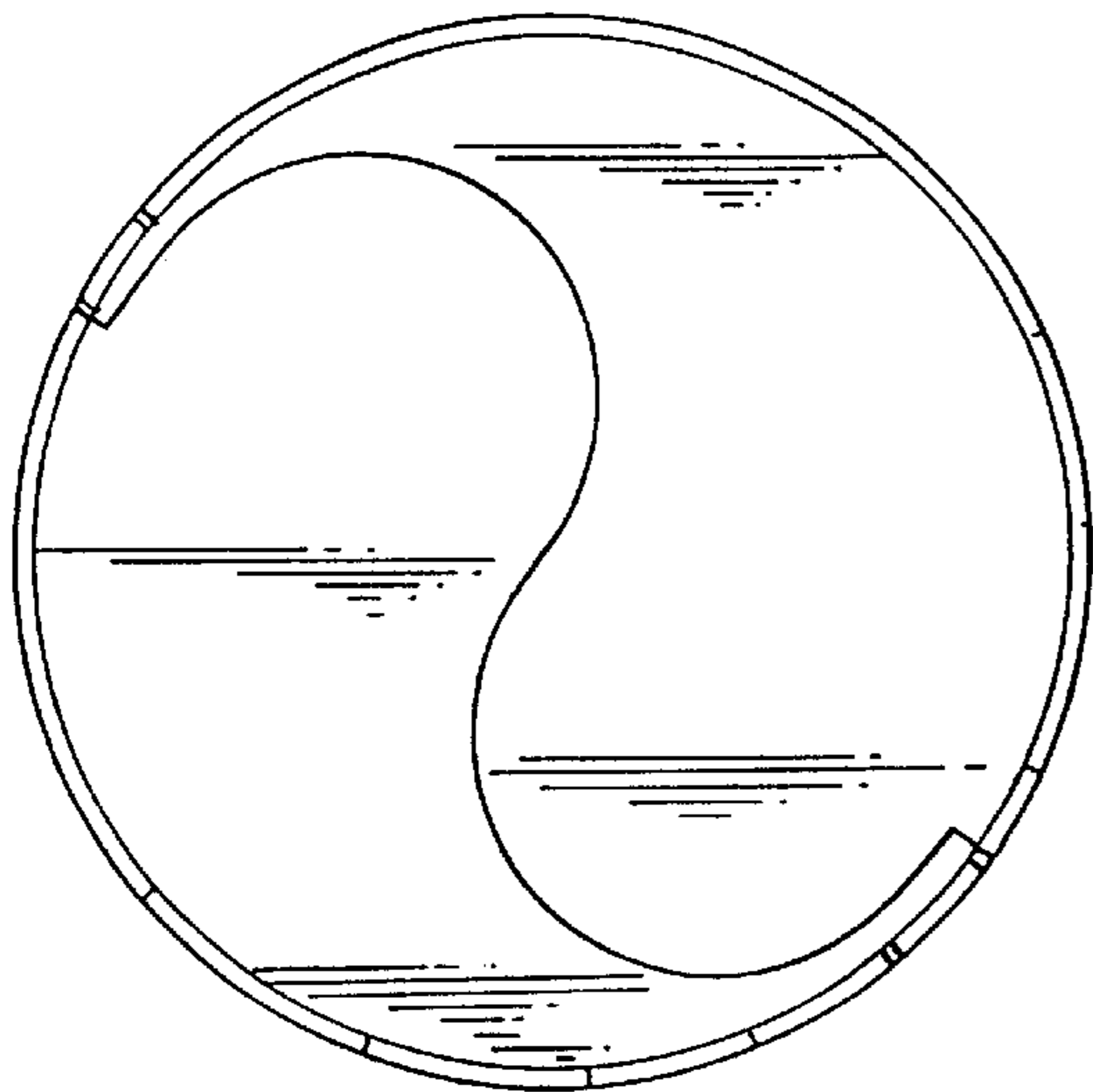
FIG. 3 is a bottom plan view thereof;

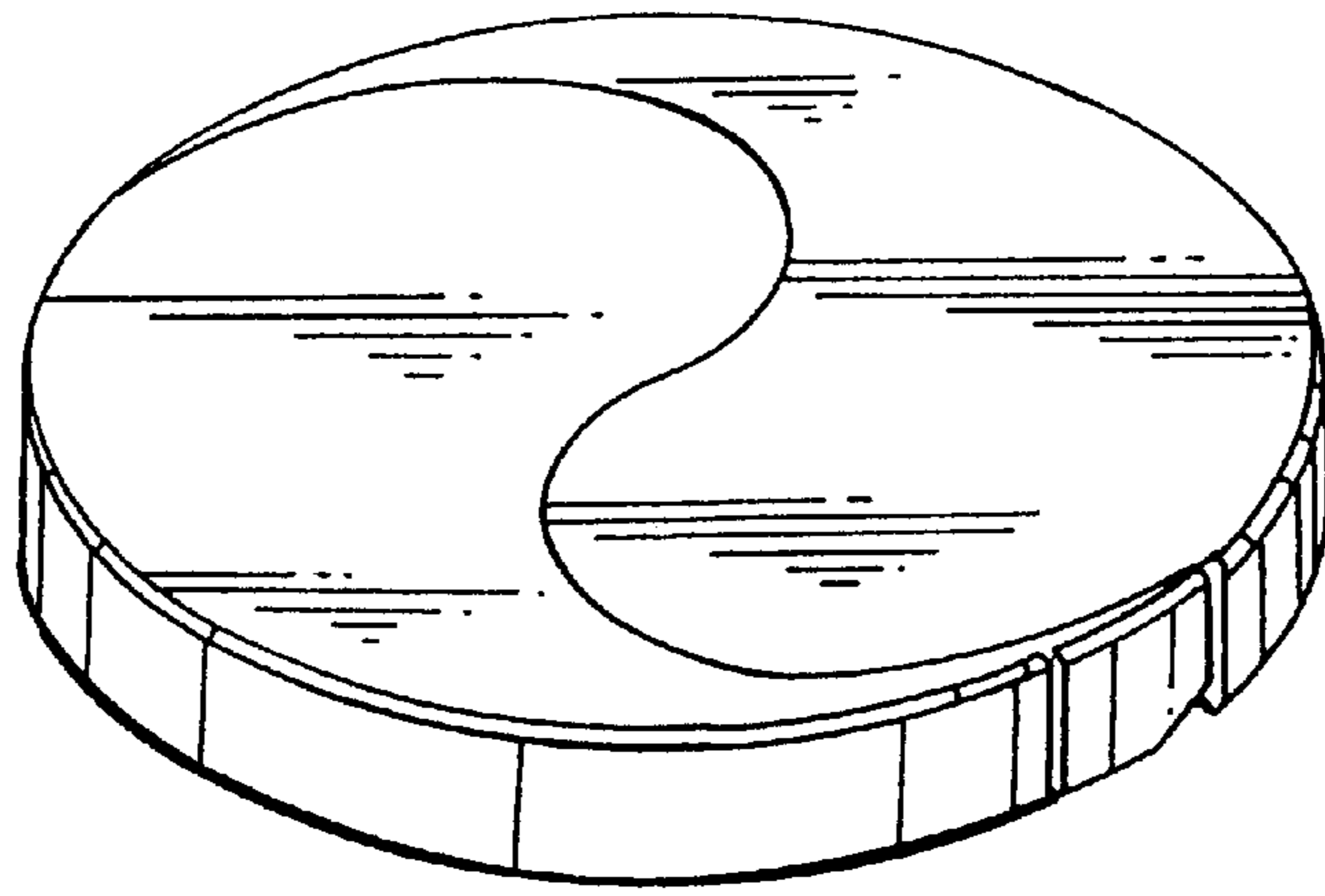
FIG. 4 is a front elevational view thereof;

FIG. 5 is a rear elevational view thereof; and,

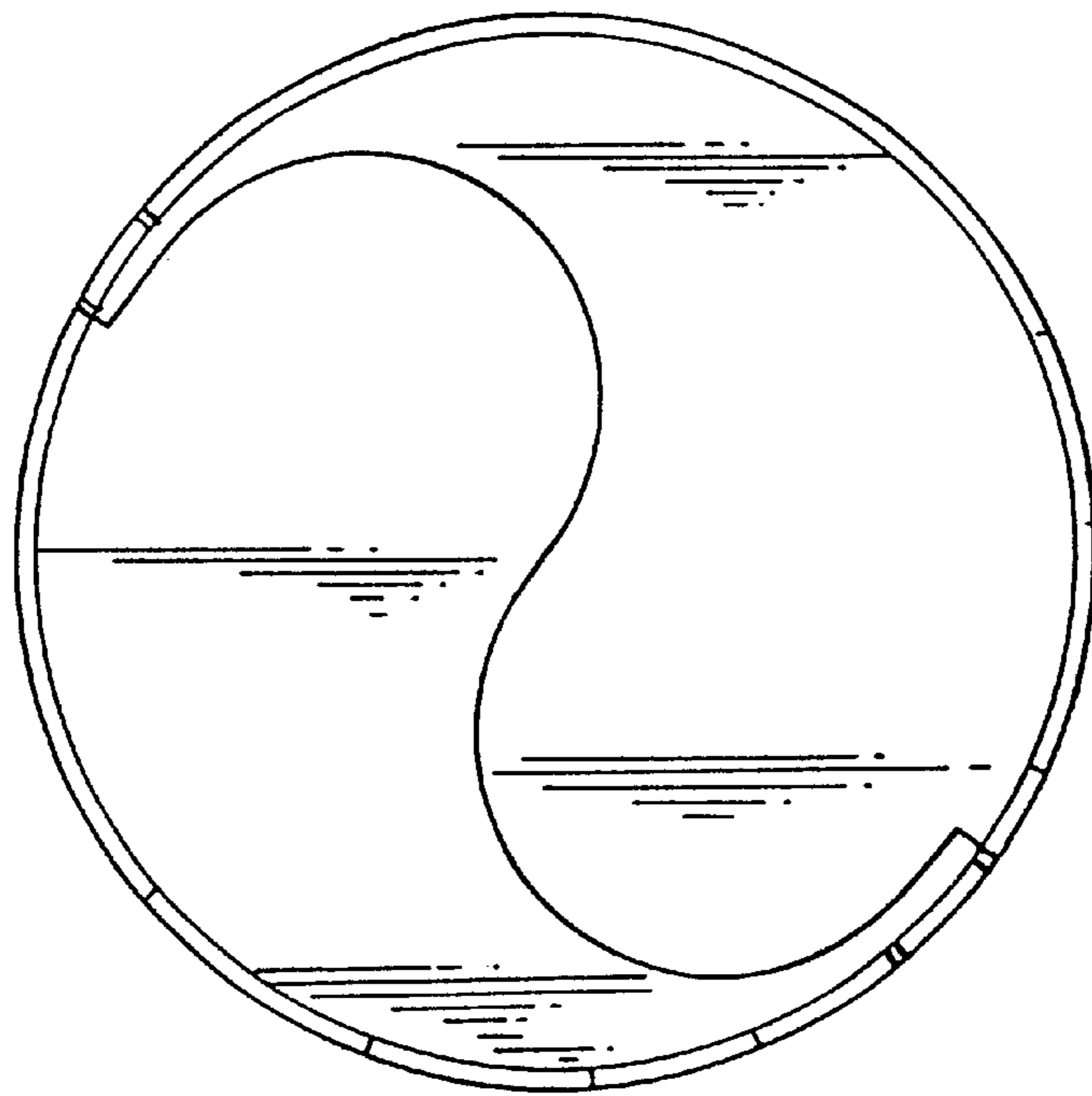
FIG. 6 is a perspective view thereof shown in an open position.

**1 Claim, 3 Drawing Sheets**

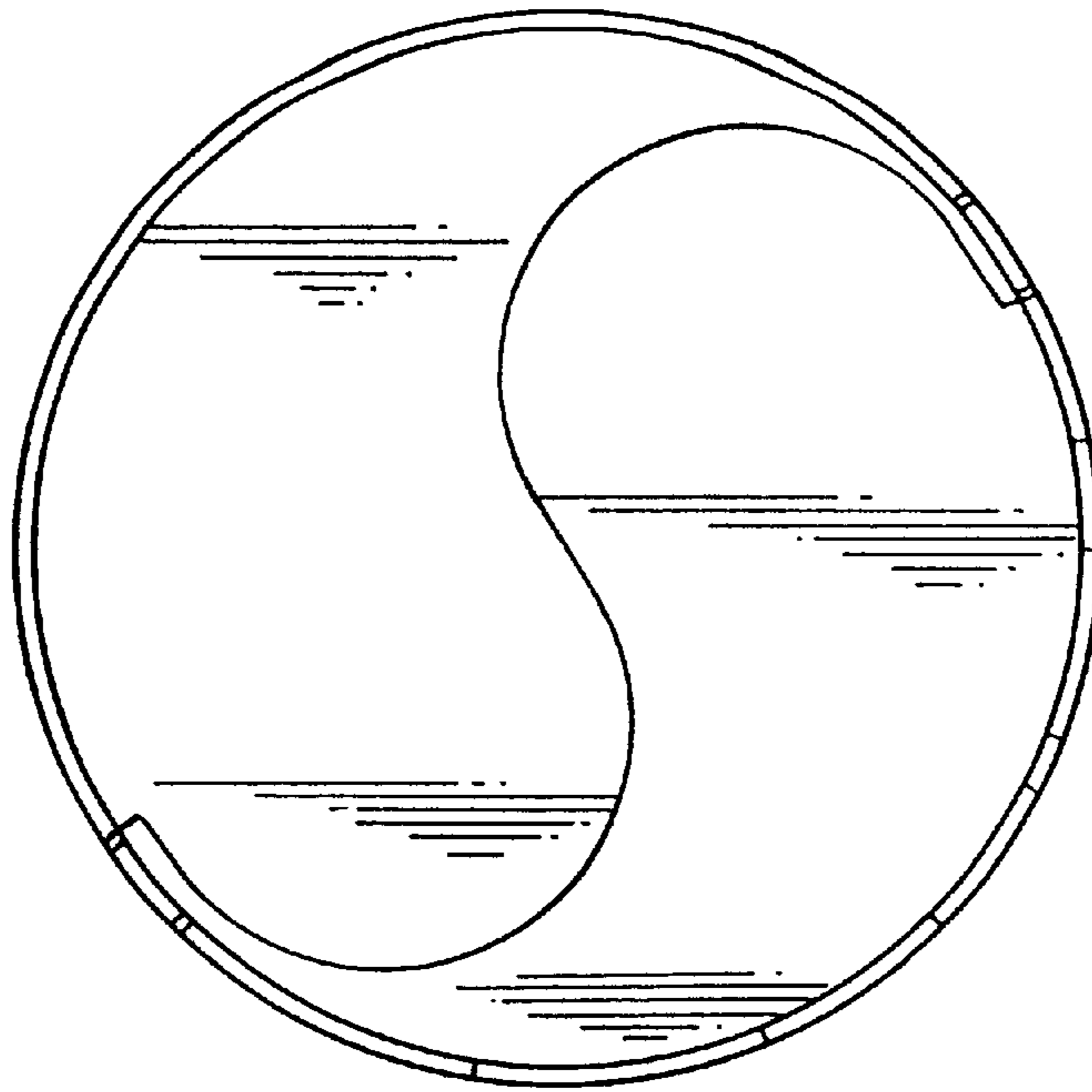




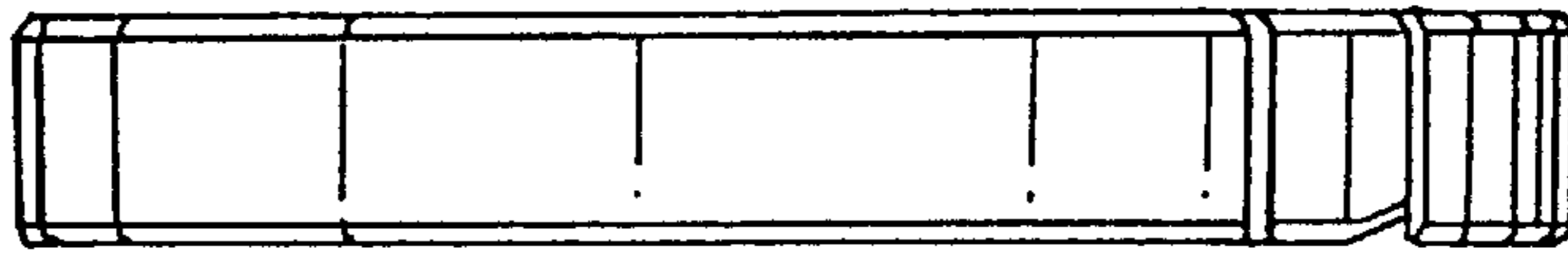
*FIG. 1*



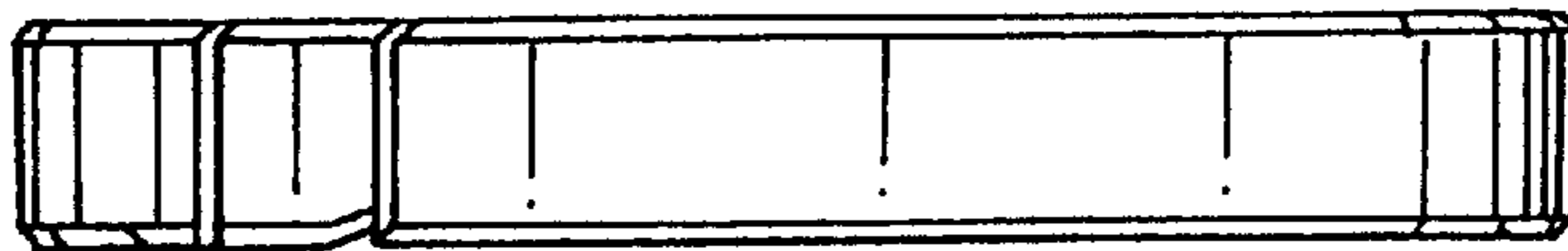
*FIG. 2*



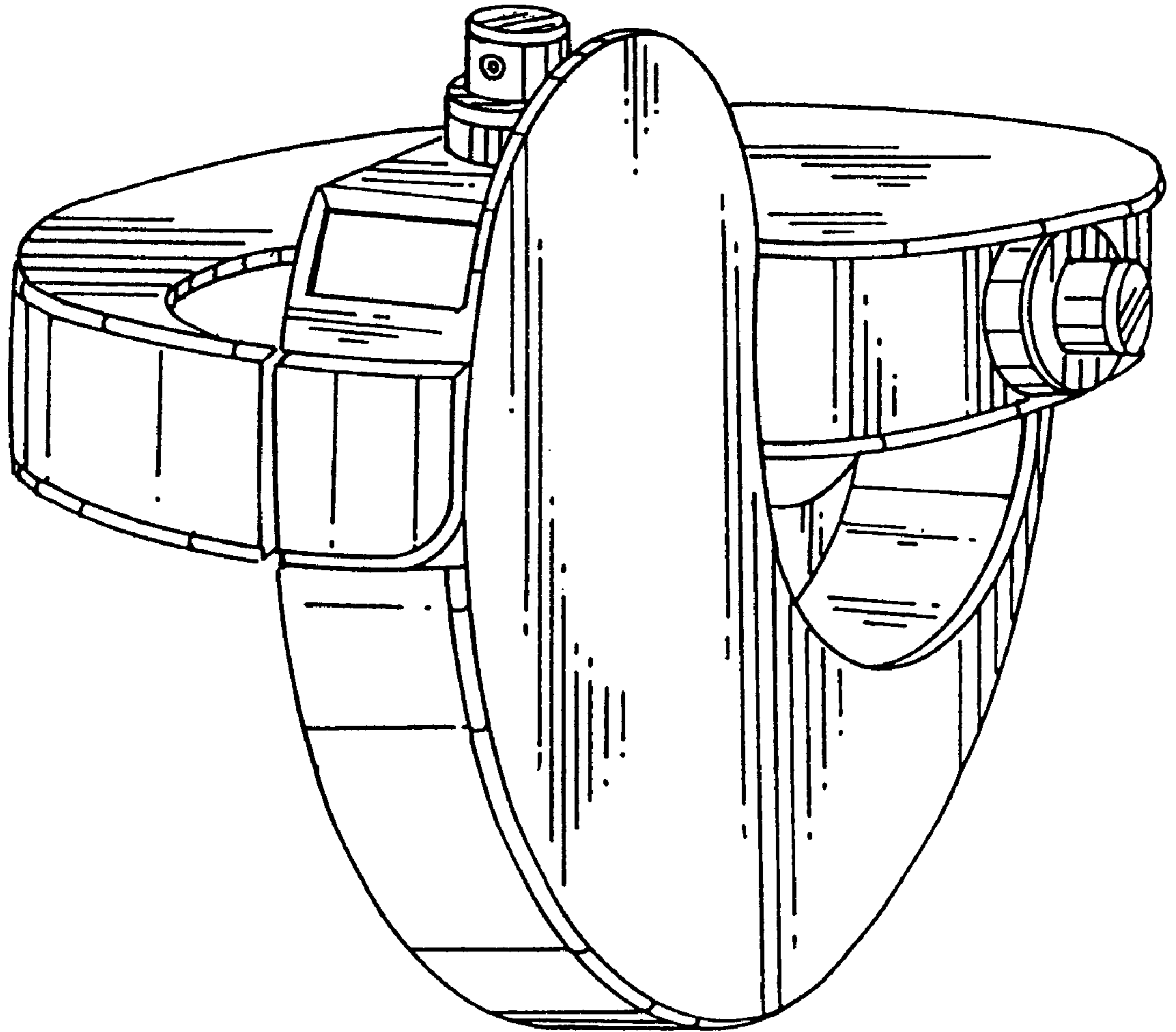
*FIG. 3*



*FIG. 4*



*FIG. 5*



**FIG. 6**