



US00D443970S

(12) **United States Design Patent**
Stucker

(10) **Patent No.:** **US D443,970 S**

(45) **Date of Patent:** **** Jun. 19, 2001**

(54) **CROSS**

(76) **Inventor:** **Leland Stucker**, 2803 Water Division Rd., Denmark, WI (US) 54208-8836

(**) **Term:** **14 Years**

(21) **Appl. No.:** **29/129,233**

(22) **Filed:** **Sep. 6, 2000**

(51) **LOC (7) Cl.** **11-02**

(52) **U.S. Cl.** **D99/27; D99/23**

(58) **Field of Search** **D99/17, 23, 25, D99/27; 206/19; D11/96, 125, 157, 122; 27/1; 428/3, 23**

D. 385,672	*	10/1997	Nores	D99/27
1,814,251		7/1931	King	.	
2,246,122	*	6/1941	Brennan	206/19
2,347,681		5/1944	Goudreau	.	
2,712,191	*	7/1955	Hillenbrand	428/3

* cited by examiner

Primary Examiner—Paula A. Mortimer

(74) *Attorney, Agent, or Firm*—Siemens Patent Services, LC

(57) **CLAIM**

The ornamental design for a cross, as shown and described.

DESCRIPTION

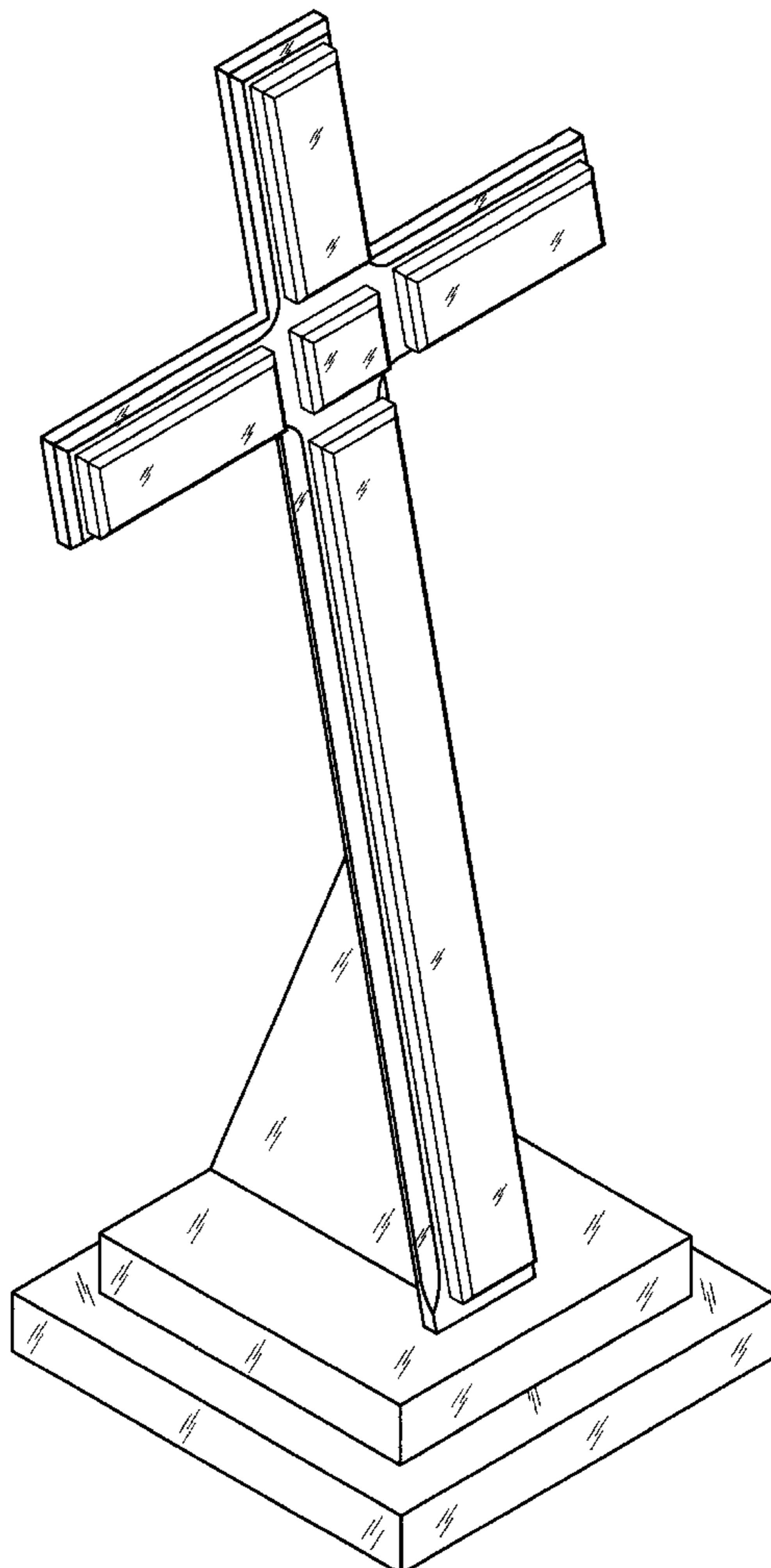
FIG. 1 is a perspective view of a cross showing my new design;
FIG. 2 is a front end elevational view thereof;
FIG. 3 is a right side elevational view thereof;
FIG. 4 is a back elevational view thereof;
FIG. 5 is a left side elevational view thereof;
FIG. 6 is a top plan view thereof; and,
FIG. 7 is a bottom plan view thereof.

(56) **References Cited**

U.S. PATENT DOCUMENTS

D. 148,467	*	1/1948	Goudreau	D99/27
D. 257,069		9/1980	Wozniski	.	
D. 299,779		2/1989	Kohen et al.	.	
D. 365,781		1/1996	Osborn	.	
D. 367,147		2/1996	Broussard	.	
D. 379,330		5/1997	Krizan	.	

1 Claim, 7 Drawing Sheets



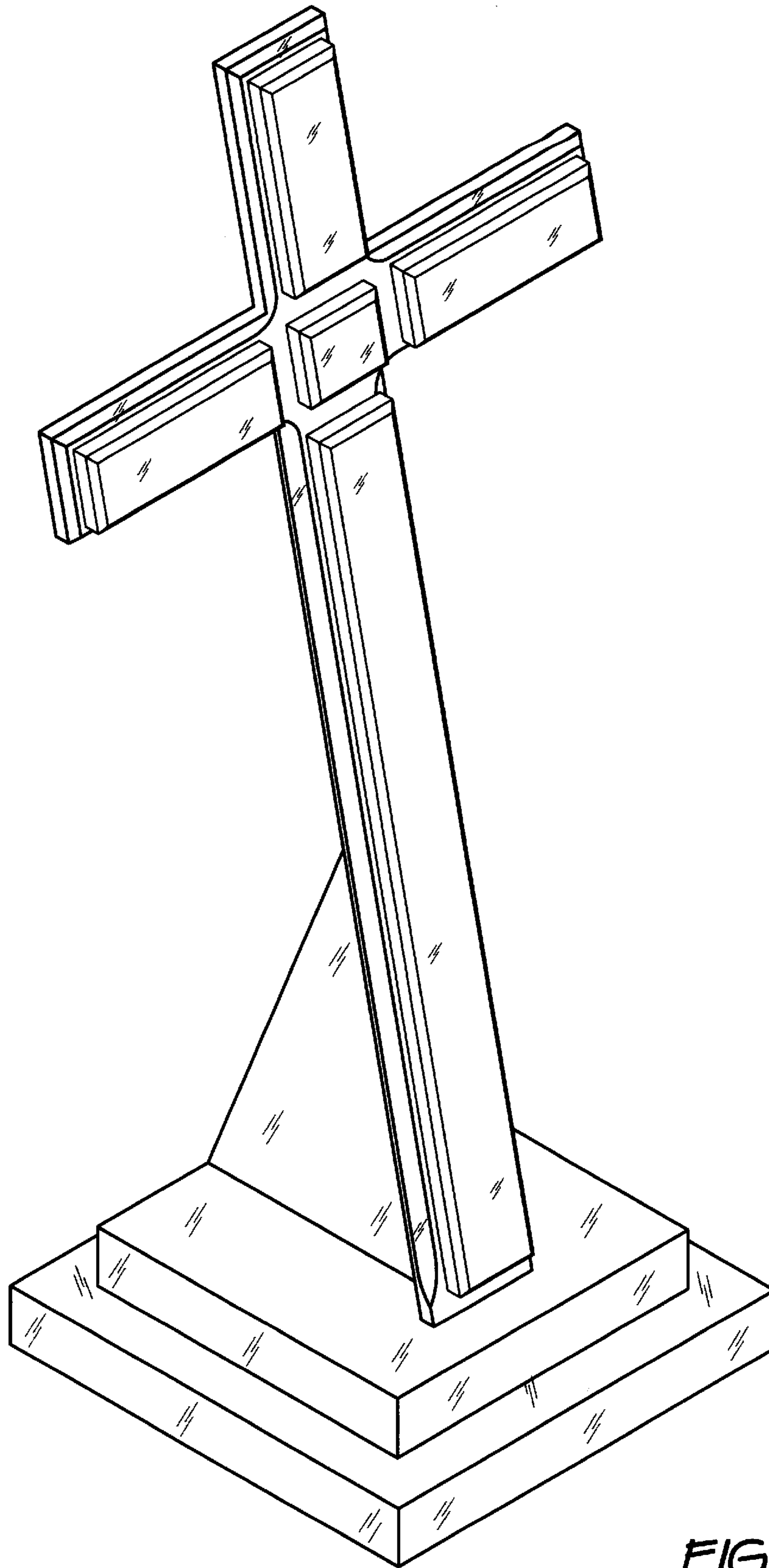


FIG. 1

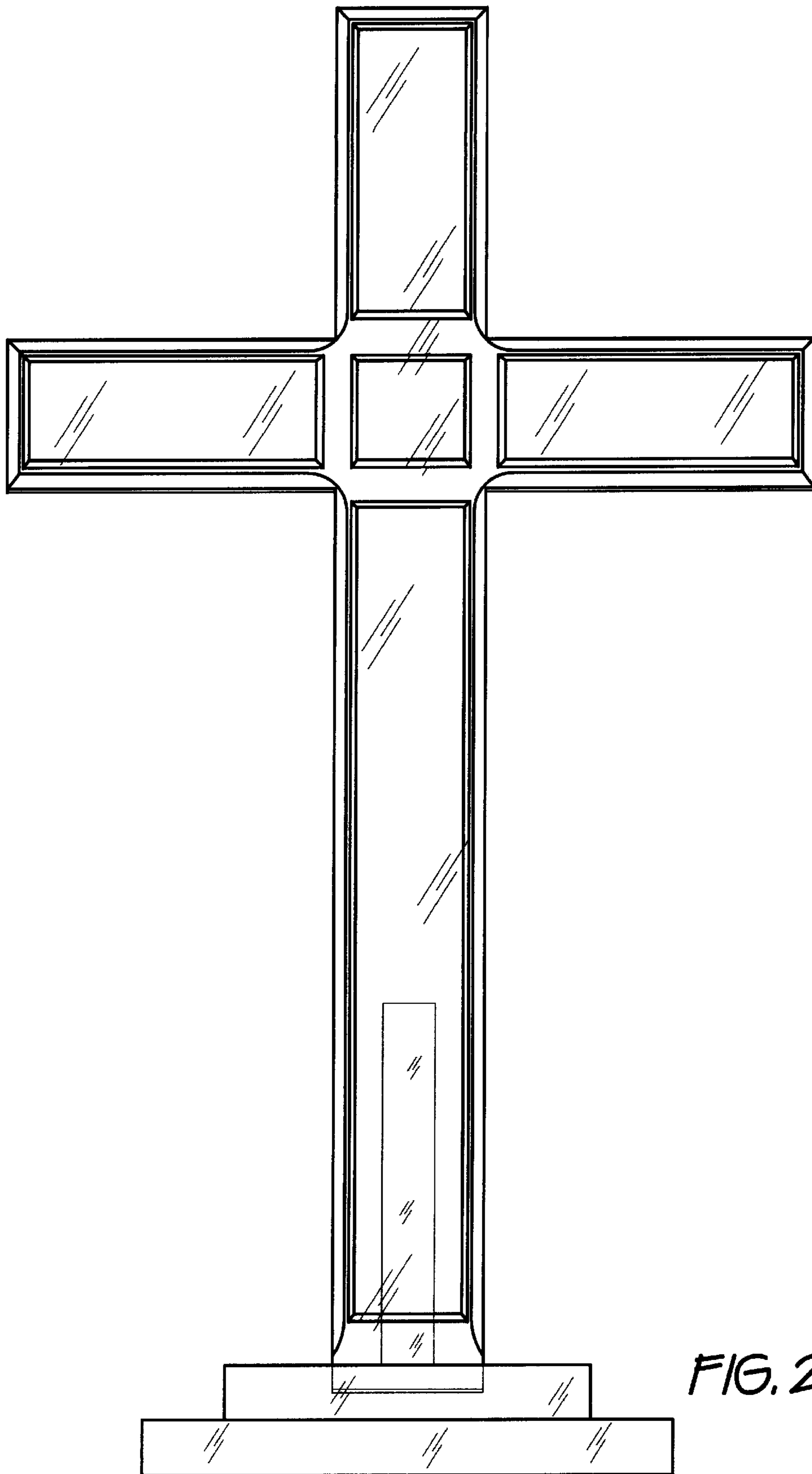


FIG. 2

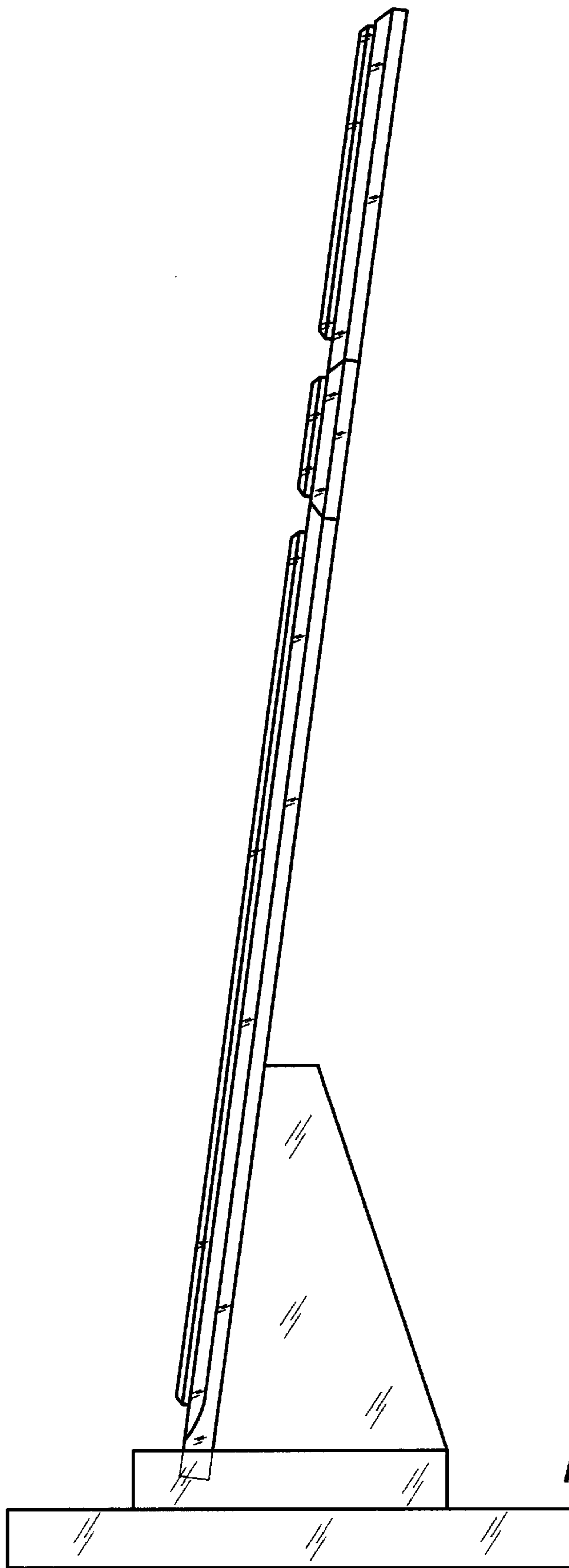


FIG. 3

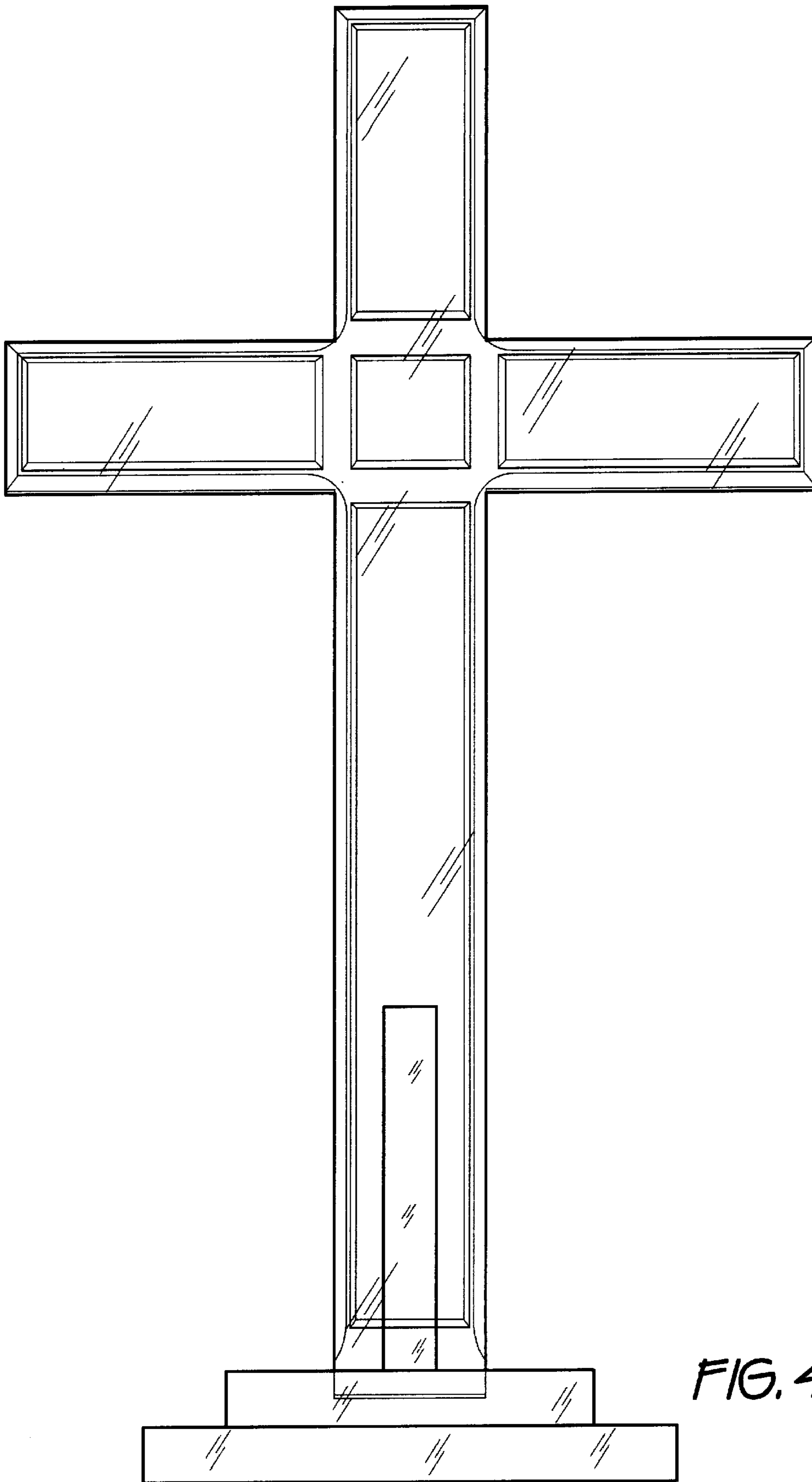


FIG. 4

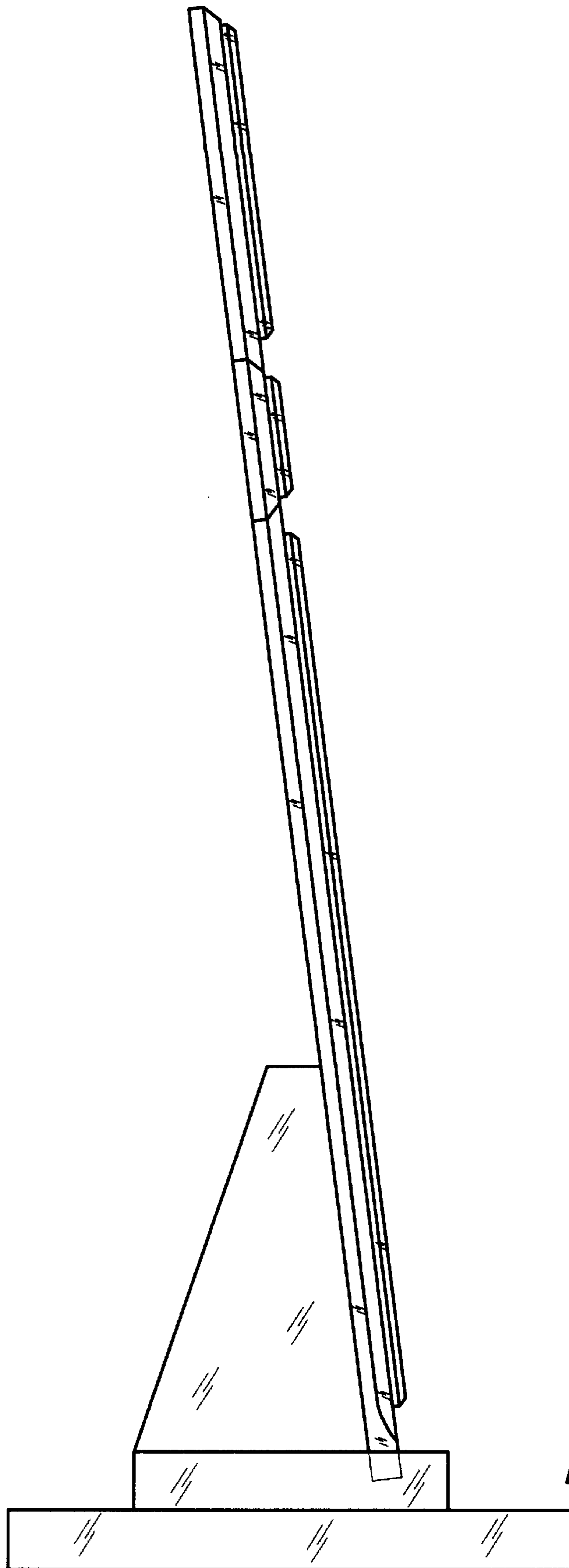


FIG. 5

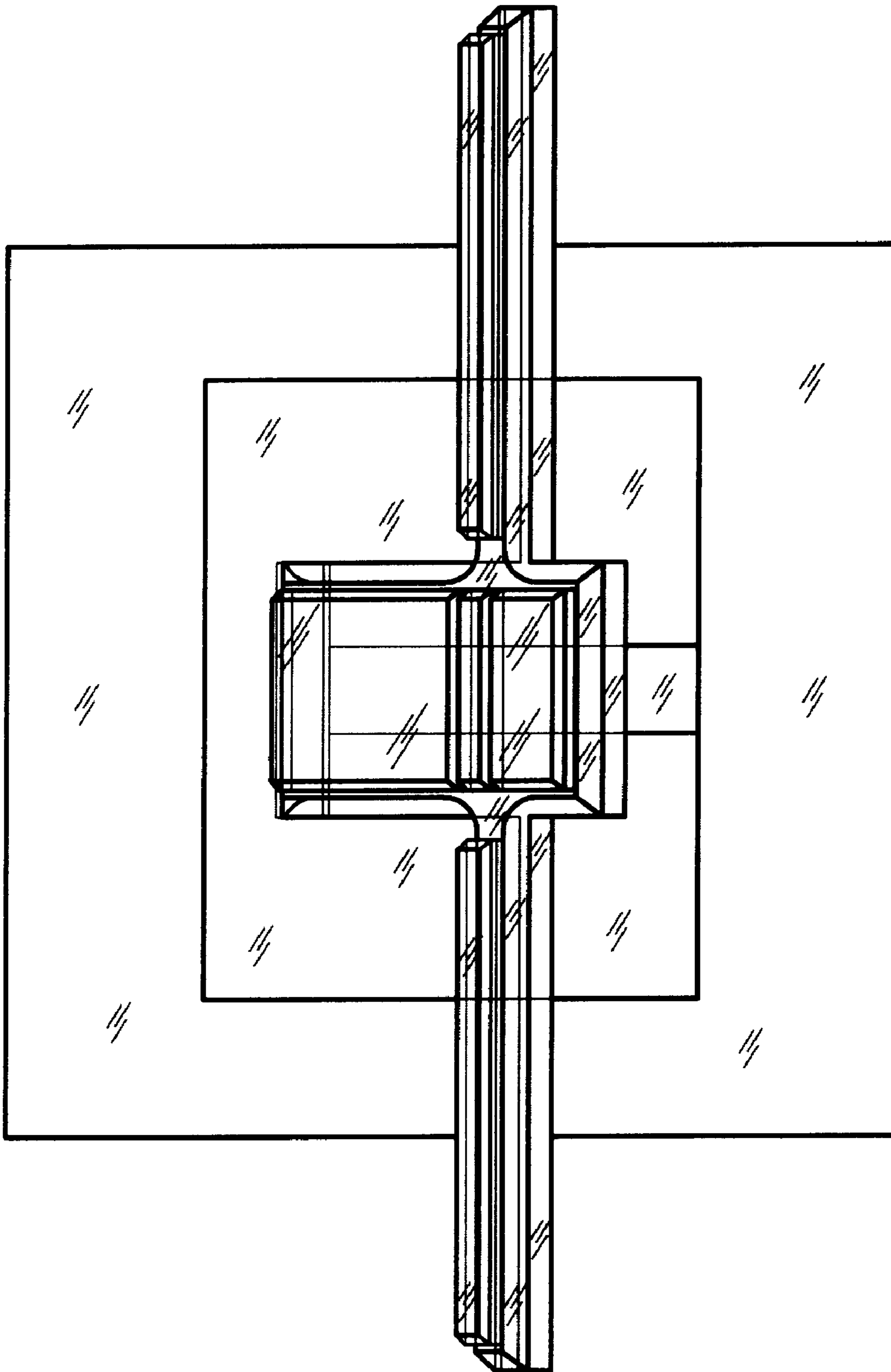


FIG. 6

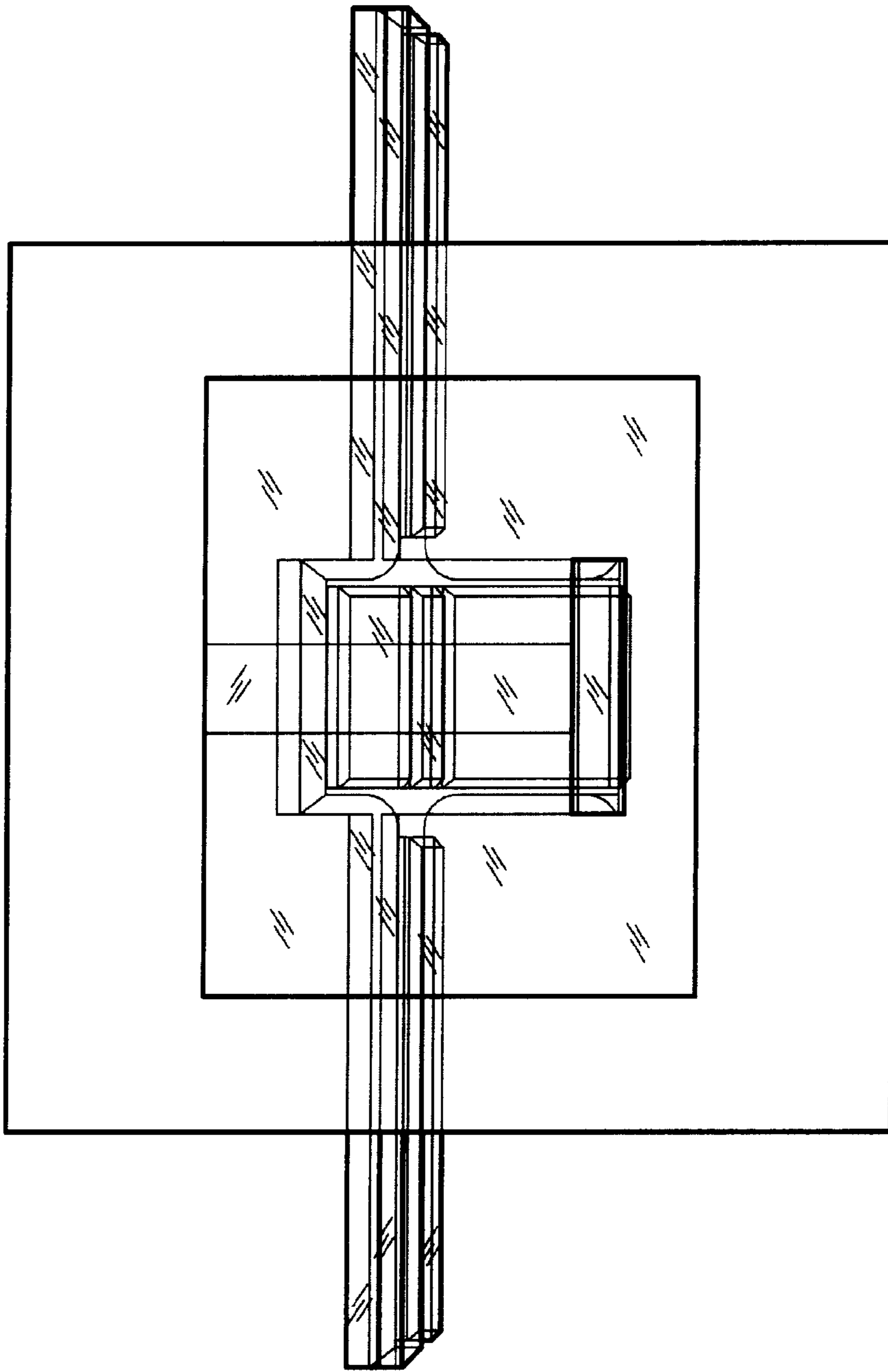


FIG. 7