



US00D443965S

(12) **United States Design Patent**
Gaalswyk

(10) **Patent No.:** **US D443,965 S**

(45) **Date of Patent:** **** Jun. 19, 2001**

(54) **WEIGH CART**

(74) *Attorney, Agent, or Firm*—Henderson & Sturm LLP

(76) **Inventor:** **Mark K. Gaalswyk**, 12 Lake Shore,
Sherburn, MN (US) 56171

(57) **CLAIM**

(**) **Term:** **14 Years**

The ornamental design for a weigh cart, as shown and described.

(21) **Appl. No.:** **29/122,228**

DESCRIPTION

(22) **Filed:** **Apr. 21, 2000**

A portion of the disclosure of this patent document, including appendices, may contain material which is subject to copyright protection. The copyright owner has no objection to the facsimile reproduction by anyone of the patent document or the patent disclosure, as it appears in the Patent and Trademark Office patent file or records, but otherwise reserves all copyright rights whatsoever.

(51) **LOC (7) Cl.** **12-02**

(52) **U.S. Cl.** **D34/14; D34/21**

(58) **Field of Search** **D34/12-27, 28;**
280/79.11, 79.2, 79.3; 211/187, 126, 134;
248/129; 220/908; 414/408, 409

FIG. 1 is a perspective view of the weigh cart showing my new design;

FIG. 2 is a front elevational view thereof;

FIG. 3 is a top plan view thereof;

FIG. 4 is a rear elevational view thereof;

FIG. 5 is a bottom plan view thereof;

FIG. 6 is a left side elevational view thereof; and,

FIG. 7 is a right side elevational view thereof.

(56) **References Cited**

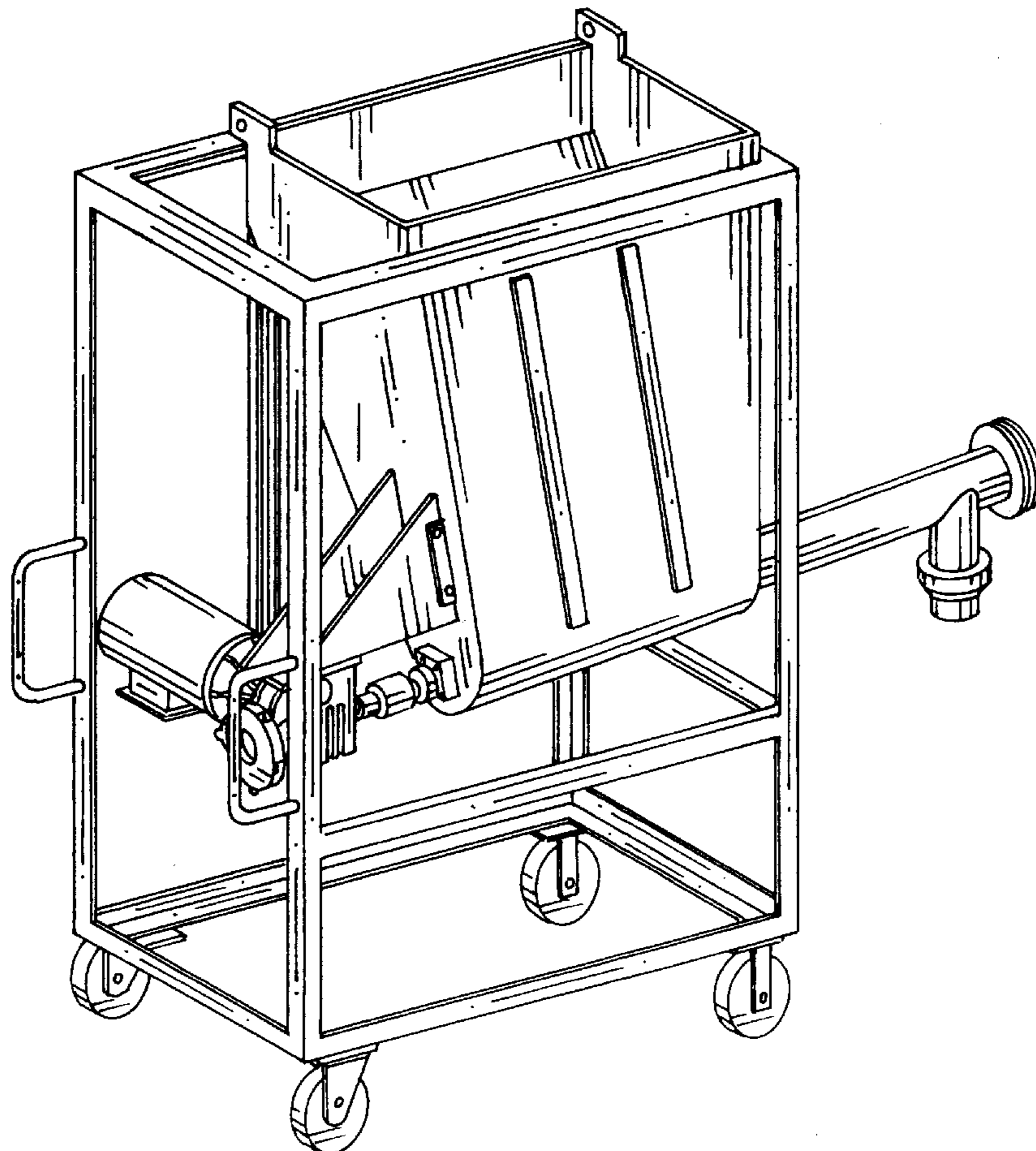
U.S. PATENT DOCUMENTS

D. 345,839	*	4/1994	Sense	D34/14
D. 383,583	*	9/1997	Ashinhurst	D34/21
D. 418,654	*	1/2000	Miller	D34/10

* cited by examiner

Primary Examiner—Kay H. Chin

1 Claim, 4 Drawing Sheets



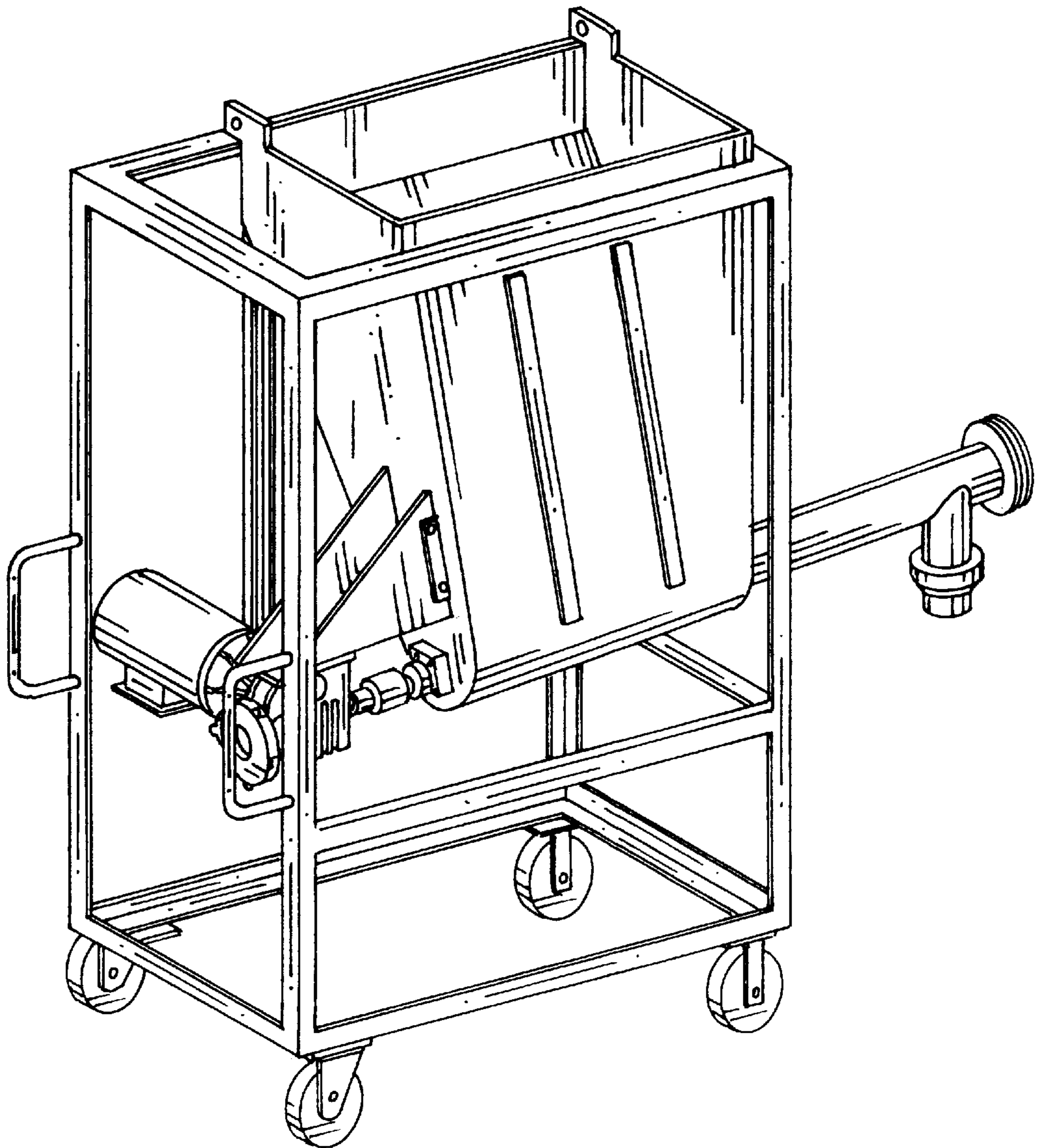


Fig. 1

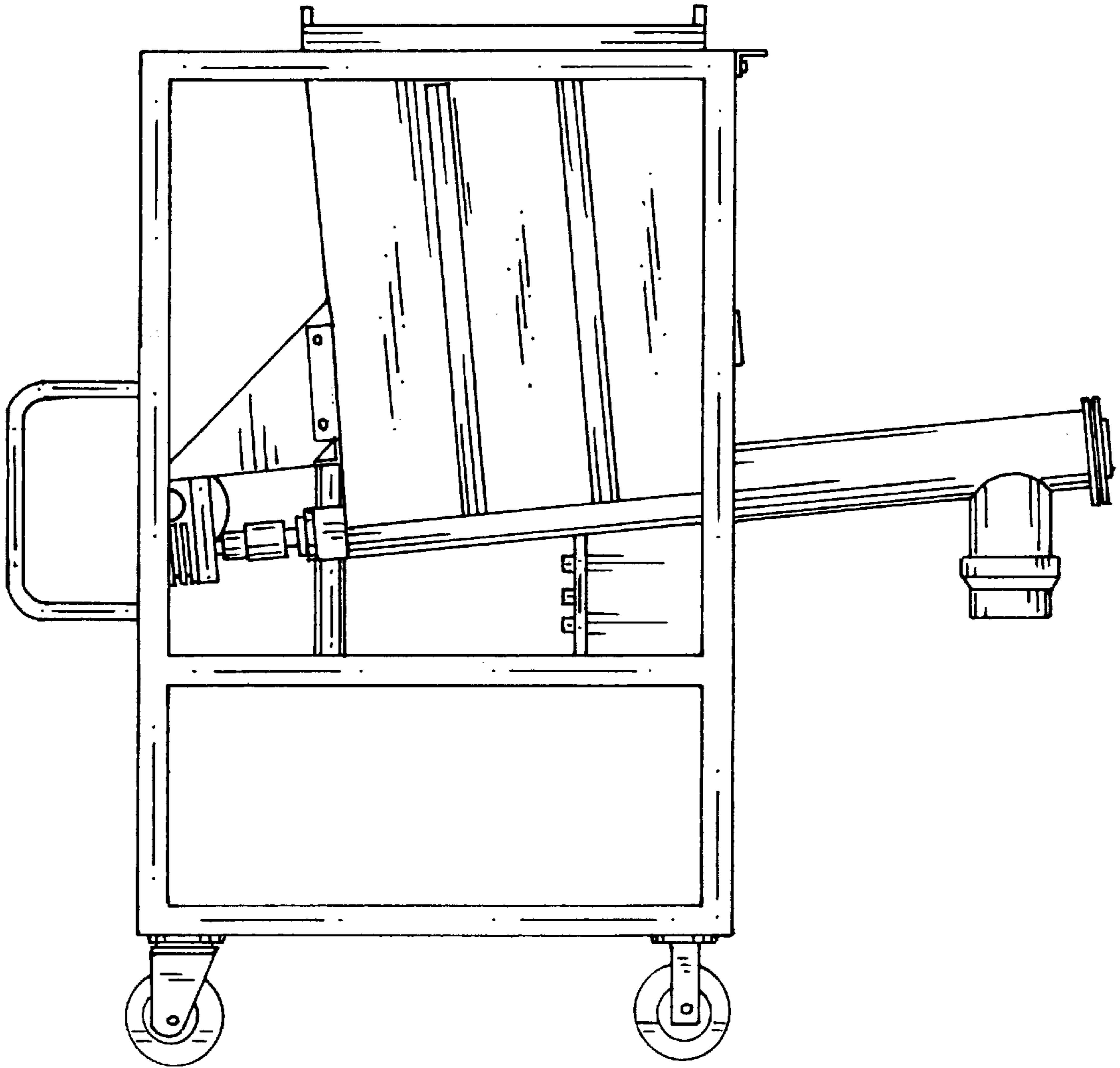


Fig. 2

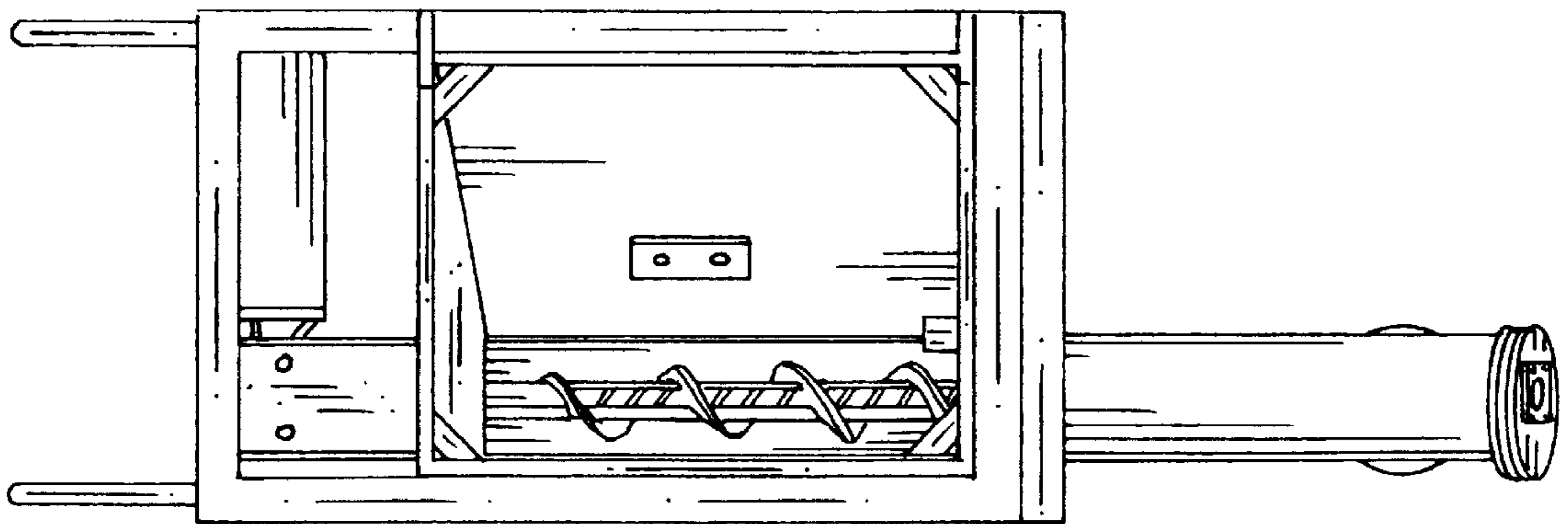


Fig. 3

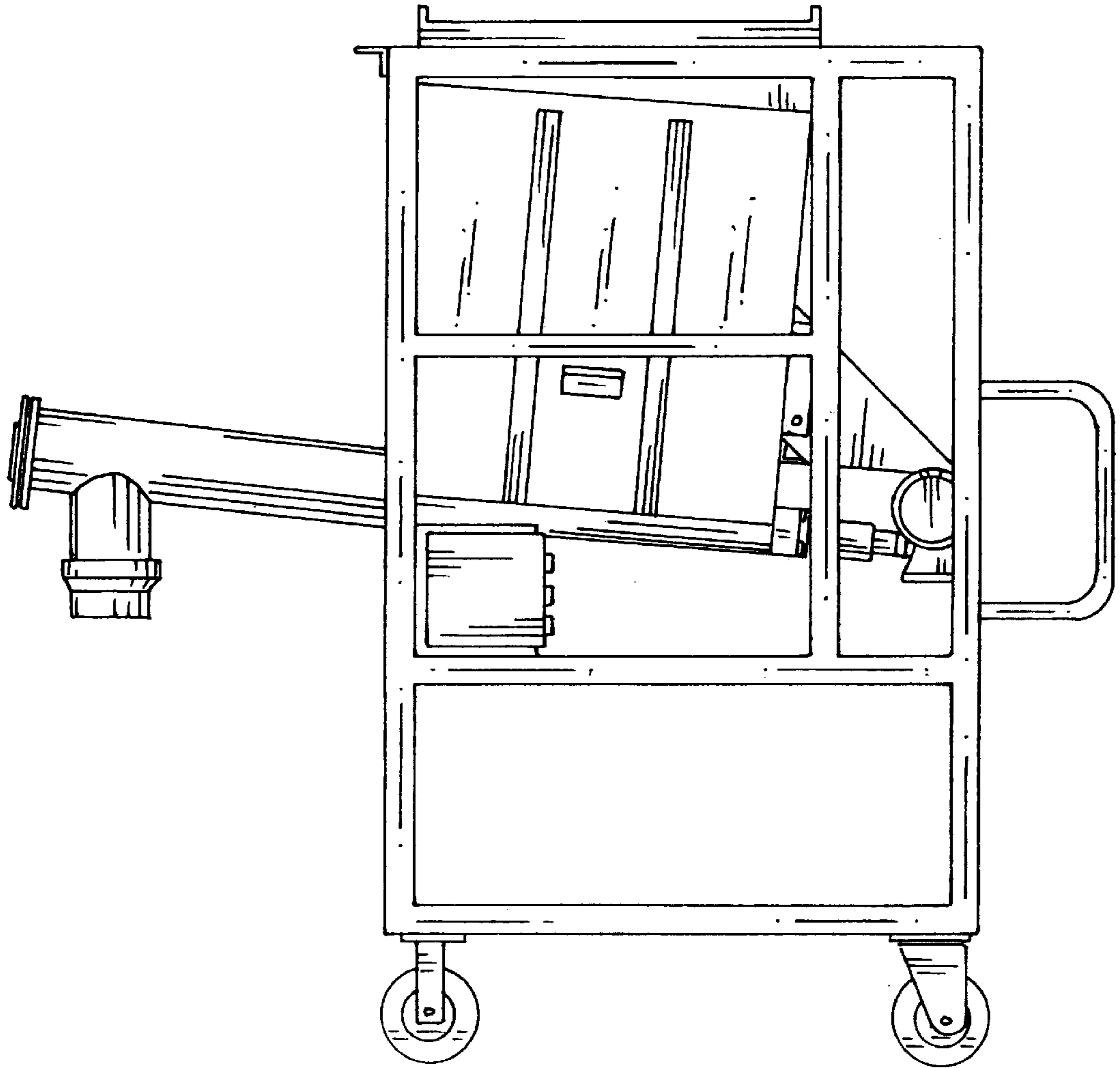


Fig. 4

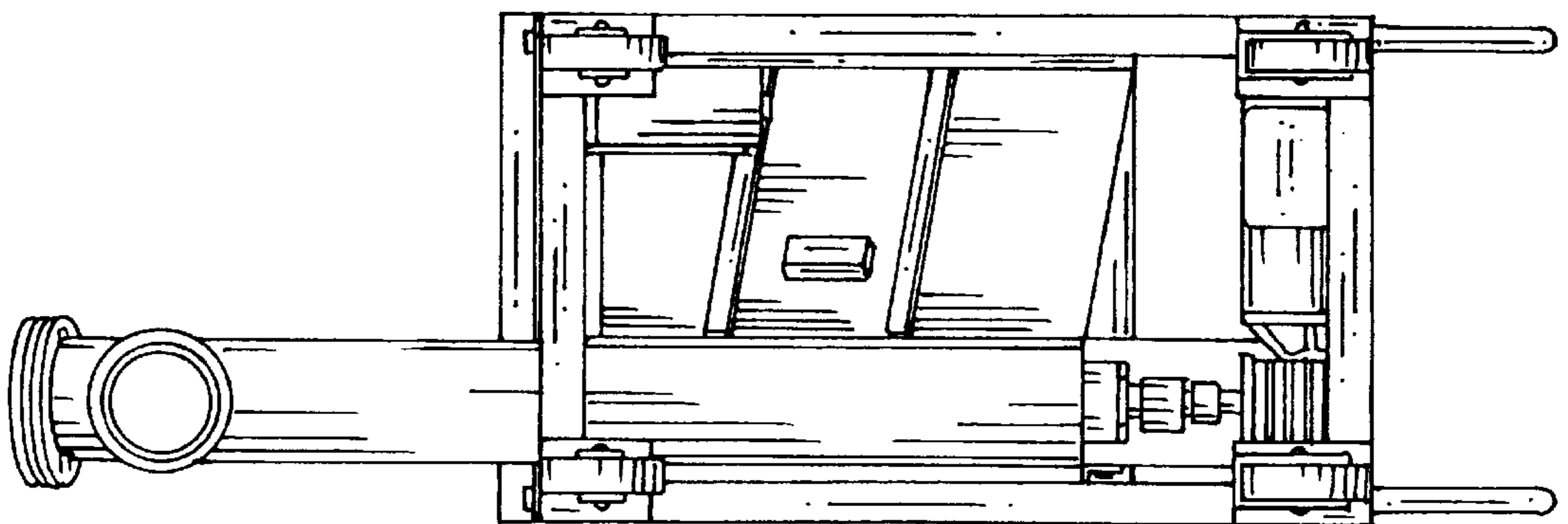


Fig. 5

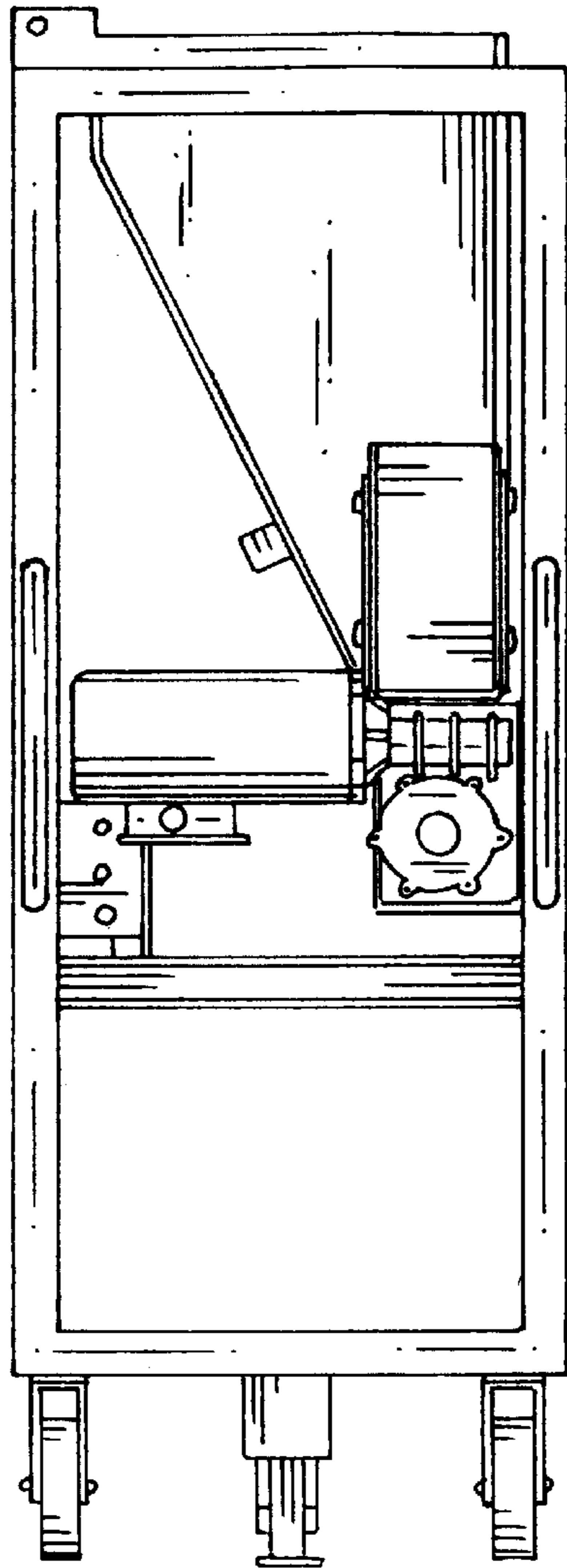


Fig. 6

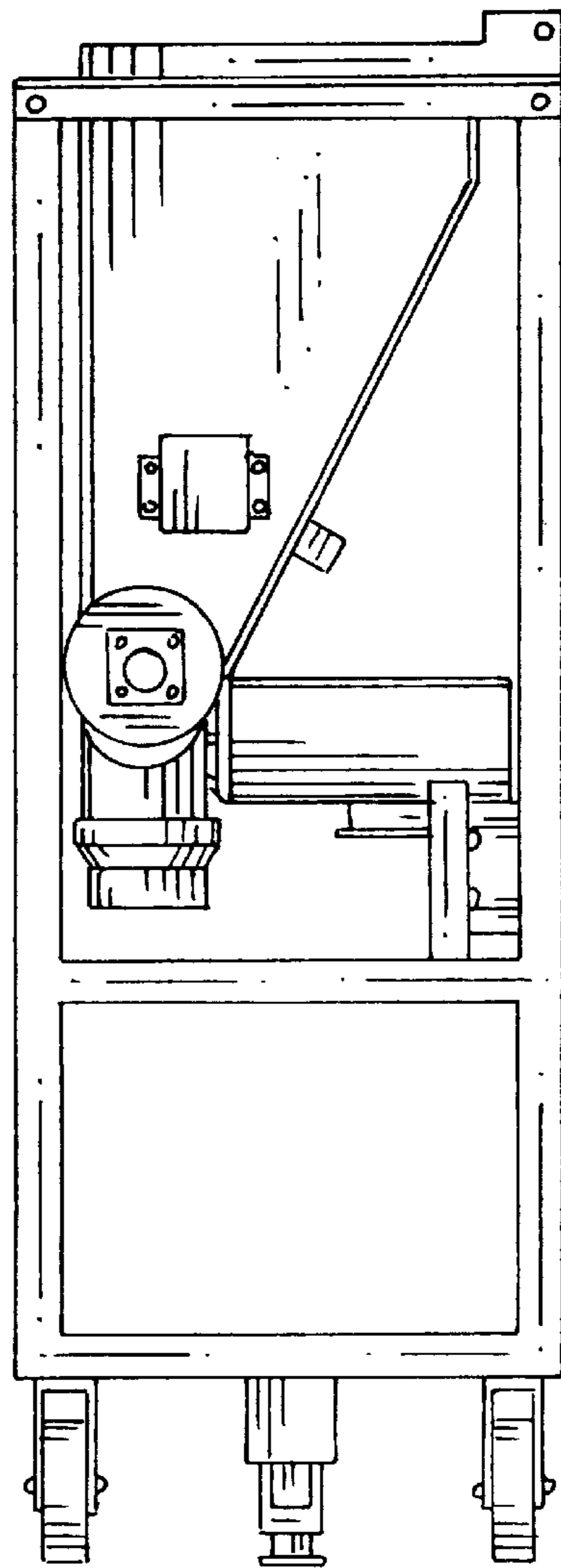


Fig. 7