



US00D443962S

(12) **United States Design Patent**
Cahen

(10) **Patent No.:** **US D443,962 S**

(45) **Date of Patent:** **** Jun. 19, 2001**

(54) **COMPACT STEAM IRONING APPARATUS**

(75) Inventor: **Antoine Cahen**, Lausanne (CH)

(73) Assignee: **Divelit S.A.**, Chatel-St-Denis (CH)

(**) Term: **14 Years**

(21) Appl. No.: **29/113,613**

(22) Filed: **Nov. 8, 1999**

(30) **Foreign Application Priority Data**

May 10, 1999 (XH) DM/047794

(51) **LOC (7) Cl.** **07-05**

(52) **U.S. Cl.** **D32/68; D32/73**

(58) **Field of Search** D32/73, 68, 70,
D32/71; 38/15, 77.1, 77.2, 79, 96; 248/117.1,
117.2-117.7; 219/245, 246, 247

(56) **References Cited**

U.S. PATENT DOCUMENTS

- D. 313,683 * 1/1991 Chen D32/68
- D. 315,433 * 3/1991 Chen D32/68
- D. 315,434 * 3/1991 Paulin D32/68
- D. 370,324 * 5/1996 Villa D32/73
- D. 373,871 * 9/1996 Naft et al. D32/70

- D. 374,527 * 10/1996 Gudefin D32/68
- D. 379,702 * 6/1997 Gudefin et al. D32/73
- D. 388,576 * 12/1997 Gudefin et al. D32/73
- D. 388,921 * 1/1998 Doria D32/73
- D. 404,864 * 1/1999 Gudefin D32/73
- D. 408,107 * 4/1999 Clouet D32/73
- D. 423,163 * 4/2000 Stutzer et al. D32/73

* cited by examiner

Primary Examiner—Susan J. Lucas

Assistant Examiner—Cynthia E Ramirez

(74) *Attorney, Agent, or Firm*—Bugnion S.A.; John Moeteli

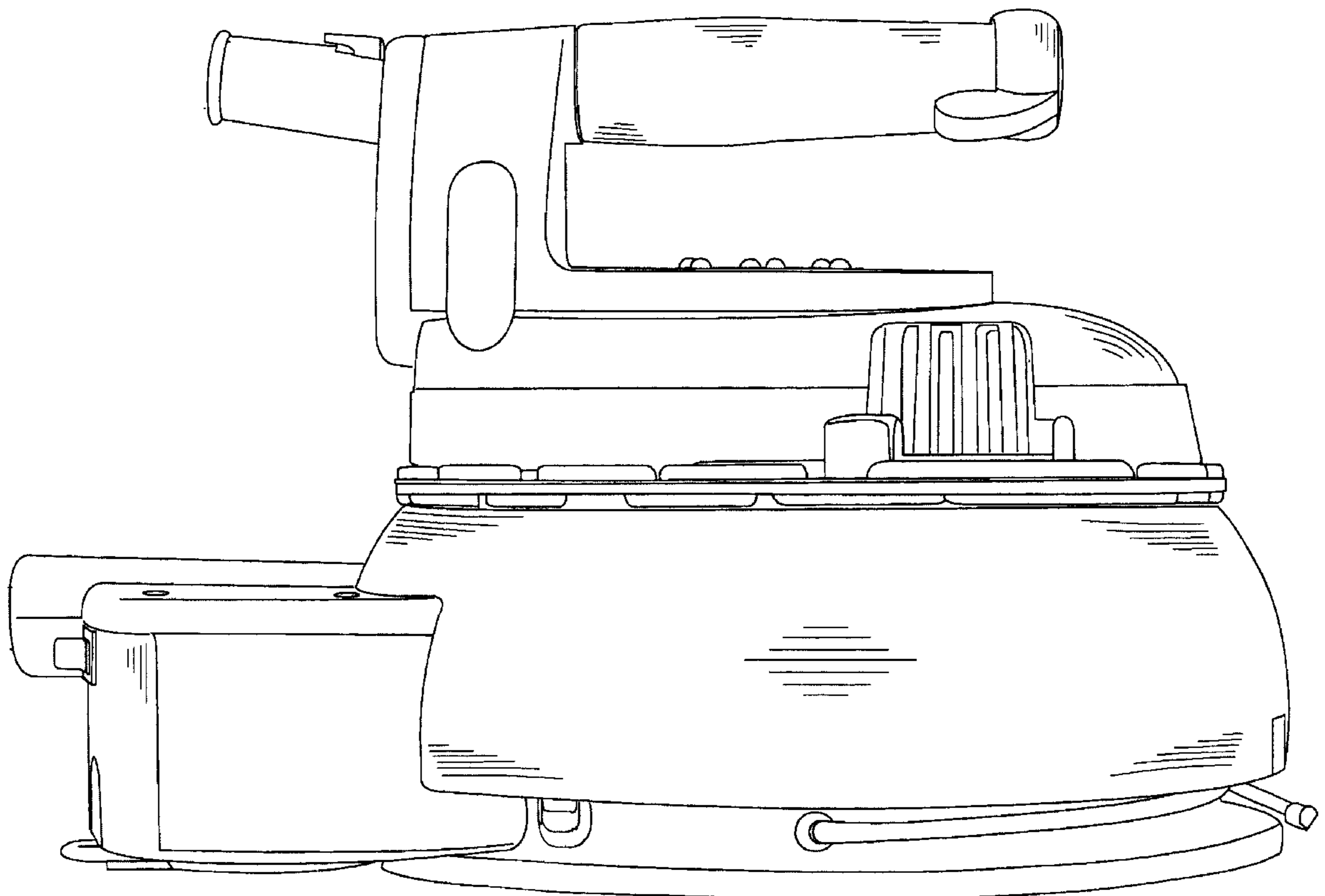
(57) **CLAIM**

I claim the ornamental design for a compact steam ironing apparatus, as shown.

DESCRIPTION

FIG. 1 is a left side view of the compact steam ironing apparatus showing my new design; FIG. 2 is a right side view thereof; FIG. 3 is a front side view thereof; FIG. 4 is a rear side view thereof; FIG. 5 is a top plan view thereof; and, FIG. 6 is a bottom plan view thereof.

1 Claim, 6 Drawing Sheets



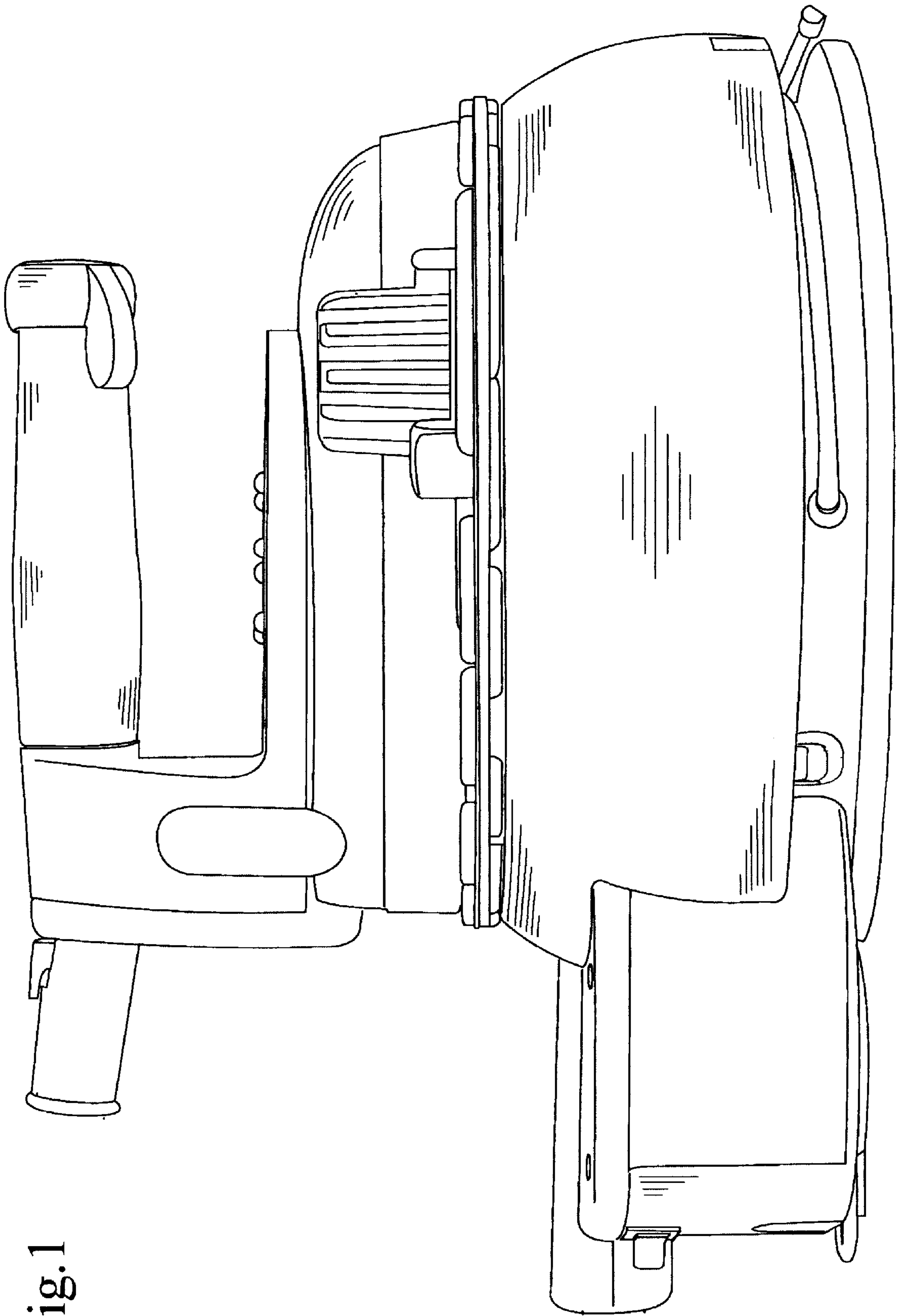


Fig.1

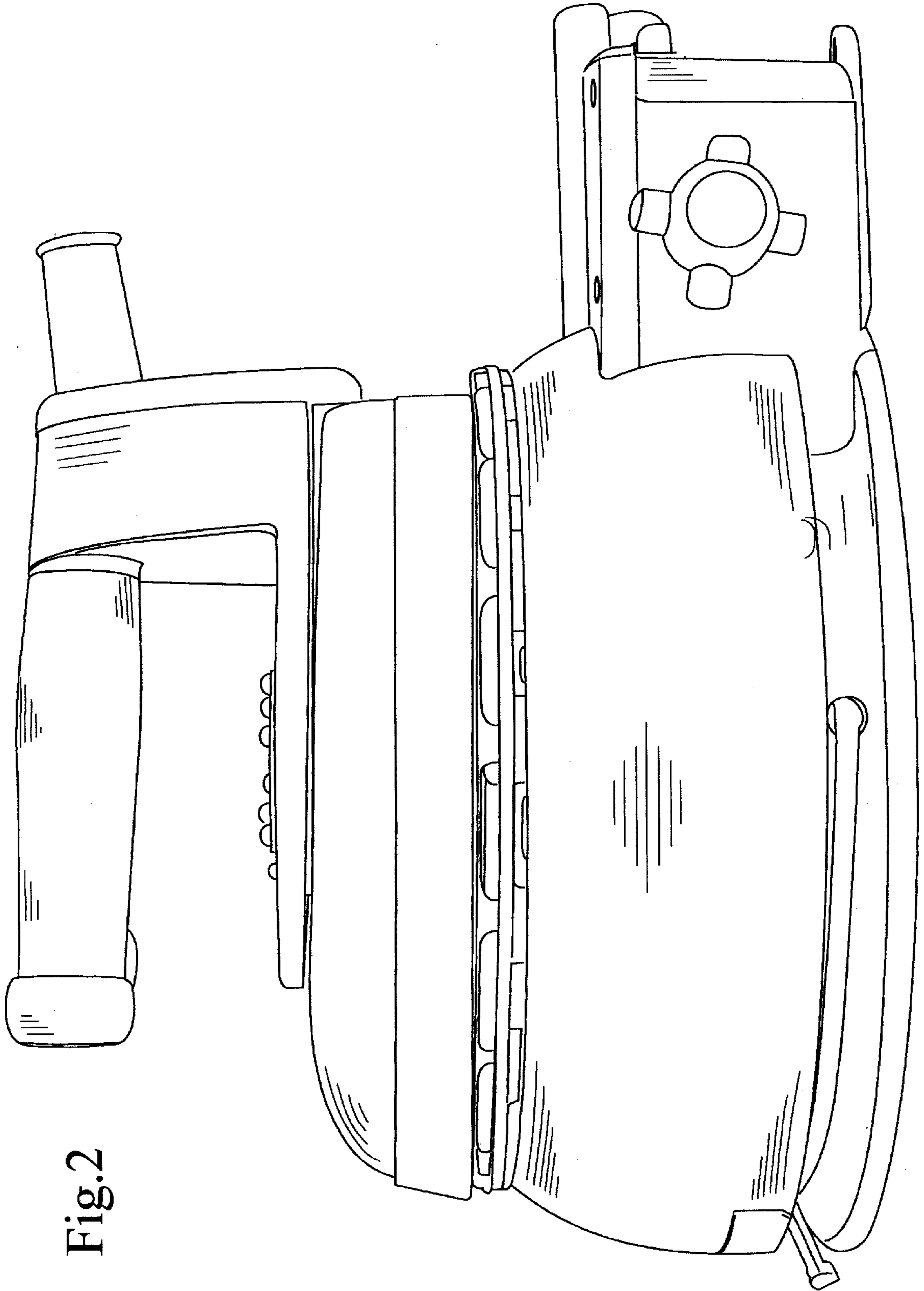


Fig.2

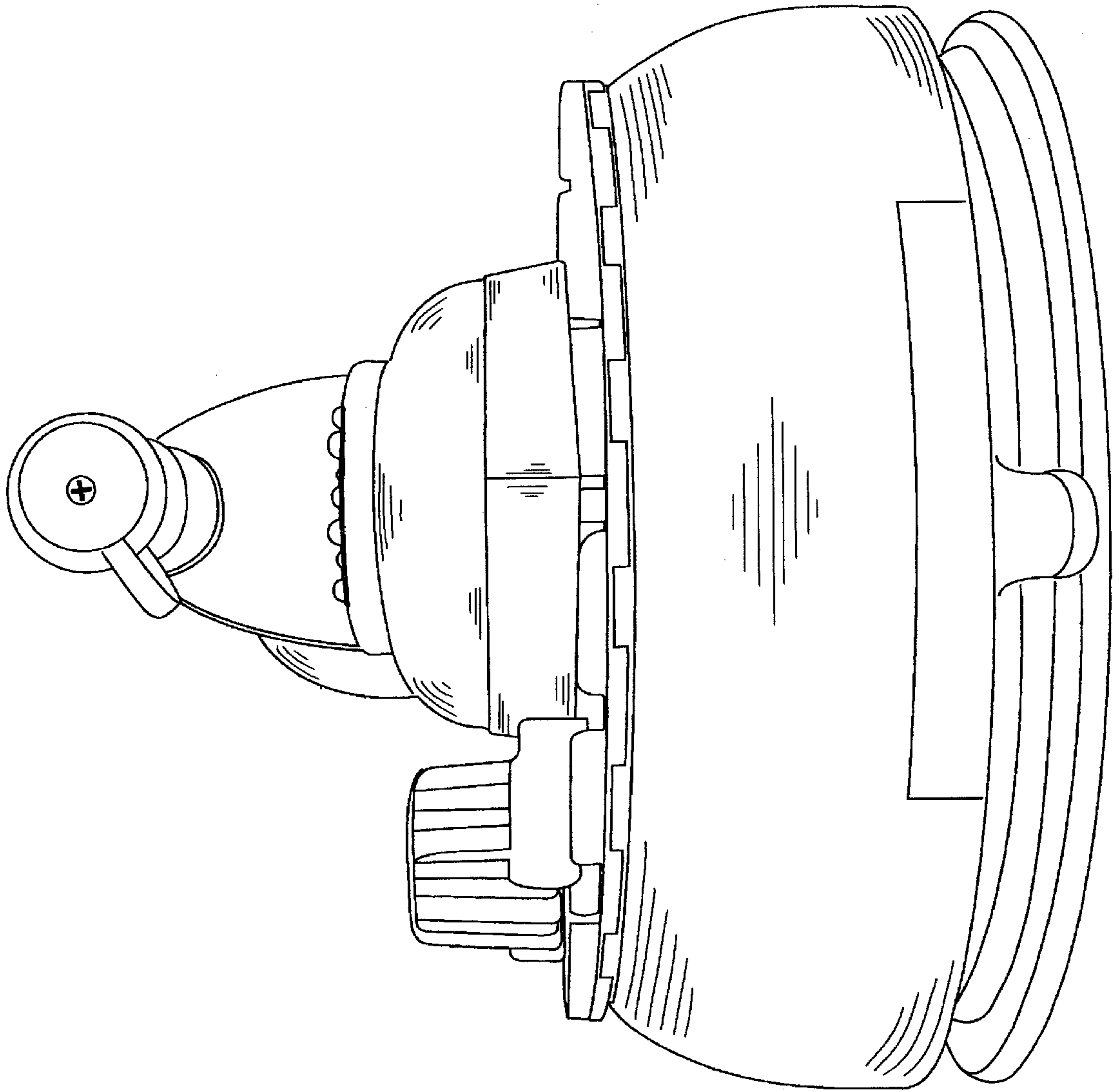


Fig.3

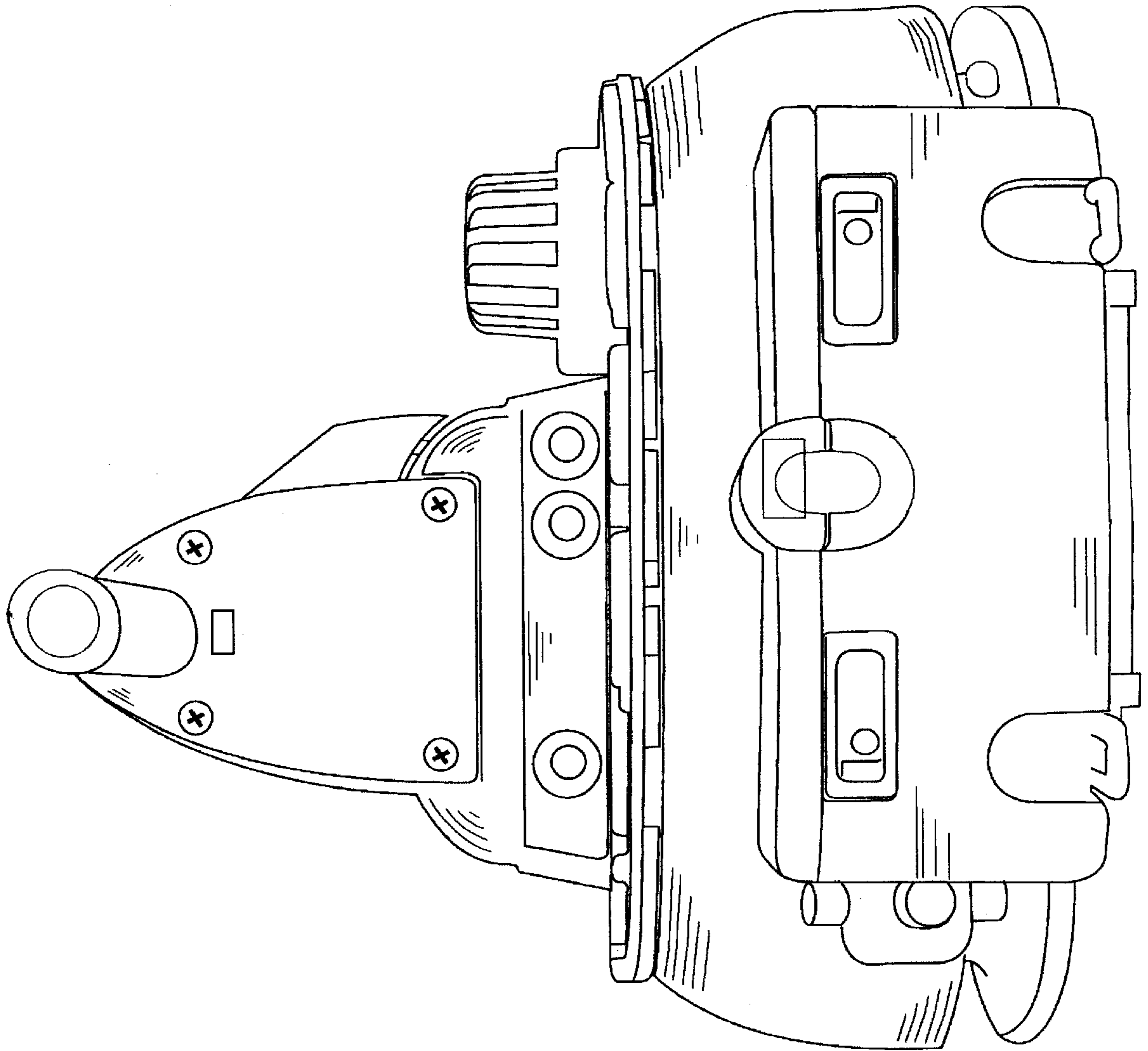


Fig.4

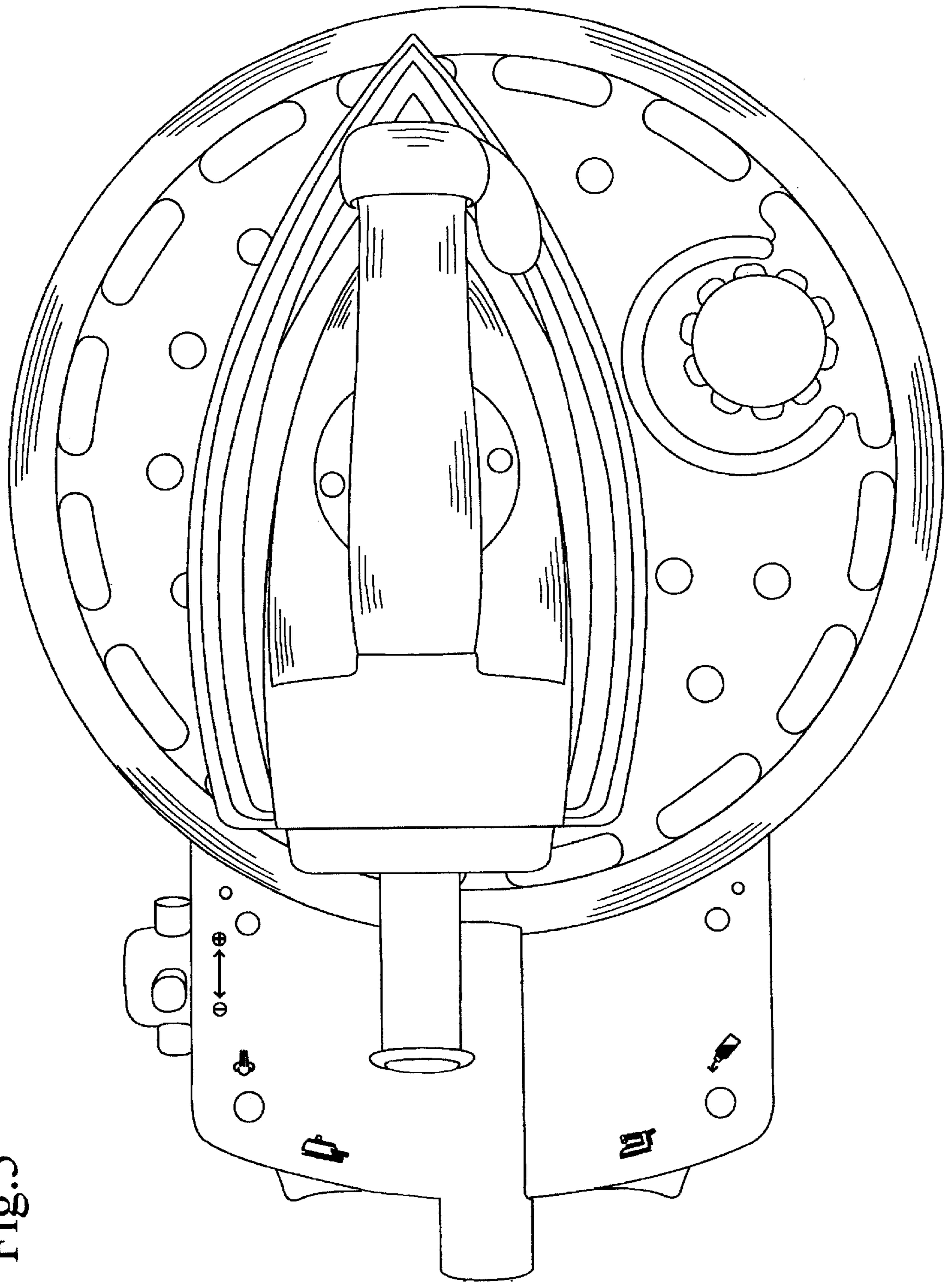


Fig. 5

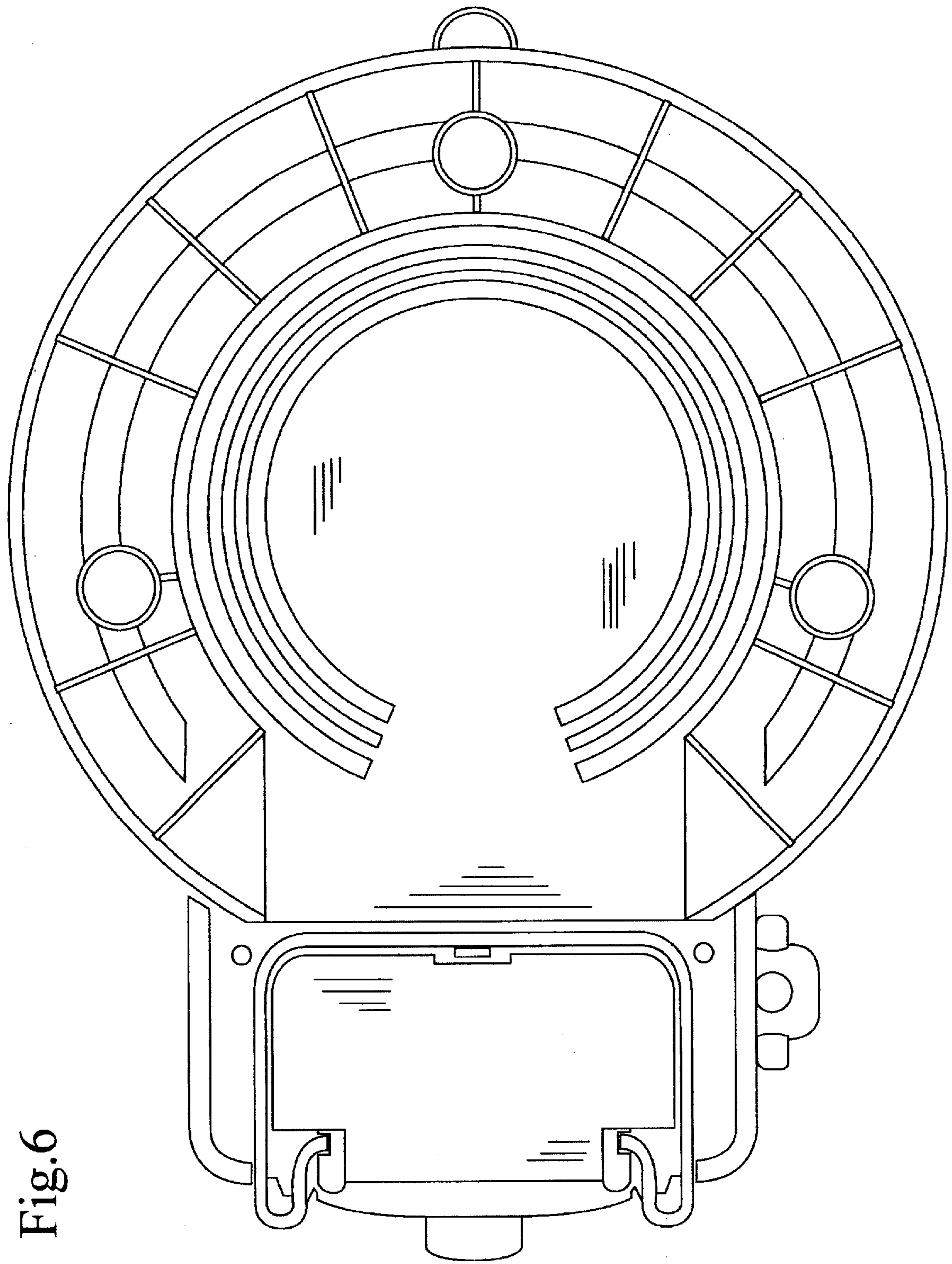


Fig.6