



US00D443961S

(12) **United States Design Patent**
McKnight

(10) **Patent No.:** **US D443,961 S**

(45) **Date of Patent:** **** Jun. 19, 2001**

(54) **RAIN GUTTER CLEANING TOOL**

4,756,043 * 7/1988 Hazelet 15/104.16

(76) Inventor: **David J. McKnight**, 336 Annsheila Drive, Keswick, Ontario (CA), L4P 3A5

* cited by examiner

(**) Term: **14 Years**

Primary Examiner—Mitchell Siegel

(74) *Attorney, Agent, or Firm*—Bereskin & Parr

(21) Appl. No.: **29/122,847**

(57) **CLAIM**

(22) Filed: **May 5, 2000**

The ornamental Design for a rain gutter cleaning tool, as shown.

(51) **LOC (7) Cl.** **15-05**

DESCRIPTION

(52) **U.S. Cl.** **D32/35**

(58) **Field of Search** D32/14, 35, 42, D32/41, 49-52; D4/115, 130, 132; 401/137, 139; 15/236.04, 160, 143.1, 144.3, 145, 104.16, 104.05

FIG. 1 is a perspective view of the rain gutter cleaning tool in accordance with a first embodiment of my Design; FIG. 2 is a front elevational view corresponding to FIG. 1; FIG. 3 is an elevational view from the right in FIG. 2; FIG. 4 is an elevational view from the left in FIG. 2; FIG. 5 is a top plan view; and, FIG. 6 is a bottom plan view.

(56) **References Cited**

U.S. PATENT DOCUMENTS

D. 392,781 3/1998 McKnight D32/35

1 Claim, 3 Drawing Sheets

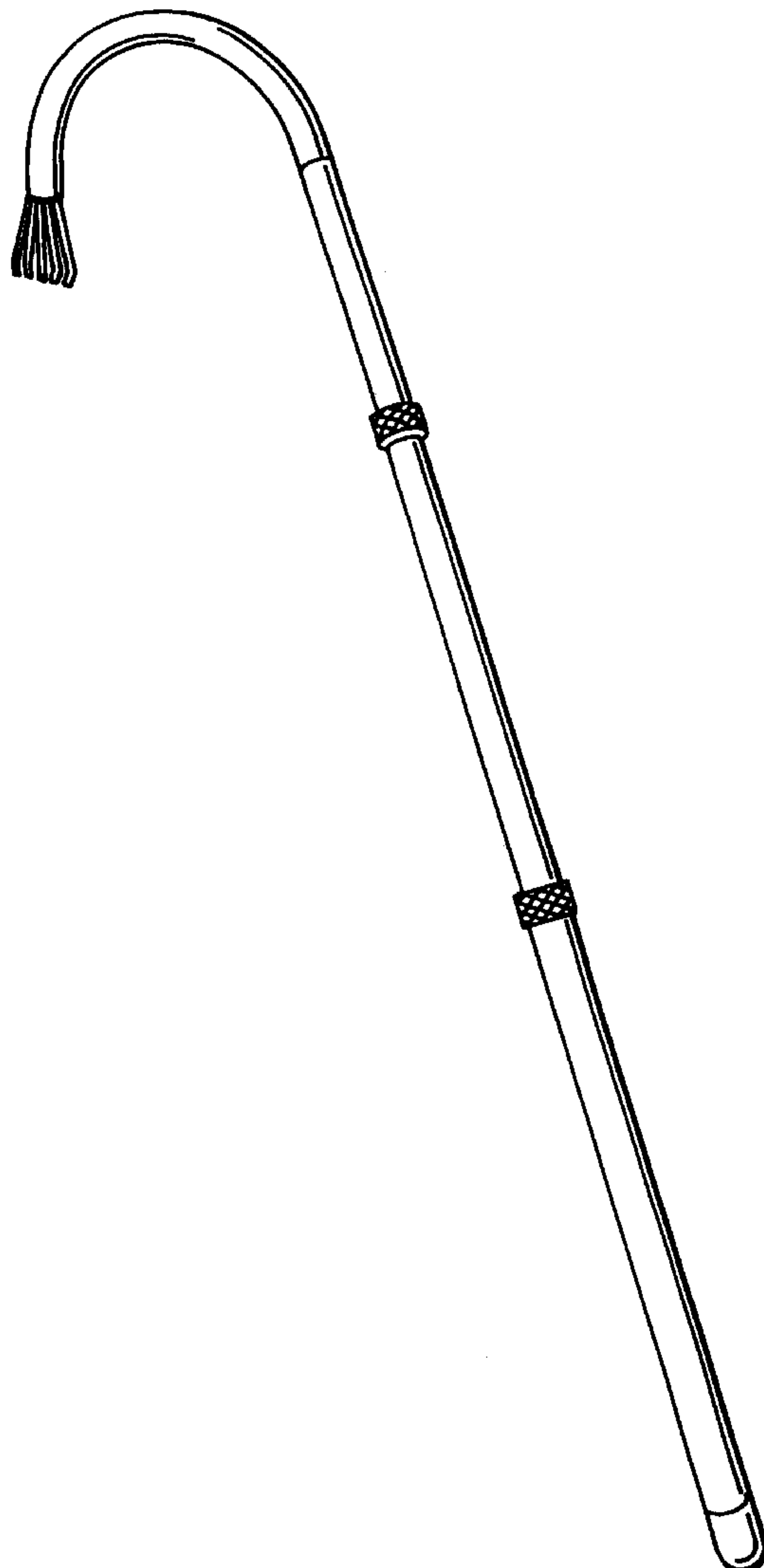


FIG. 1

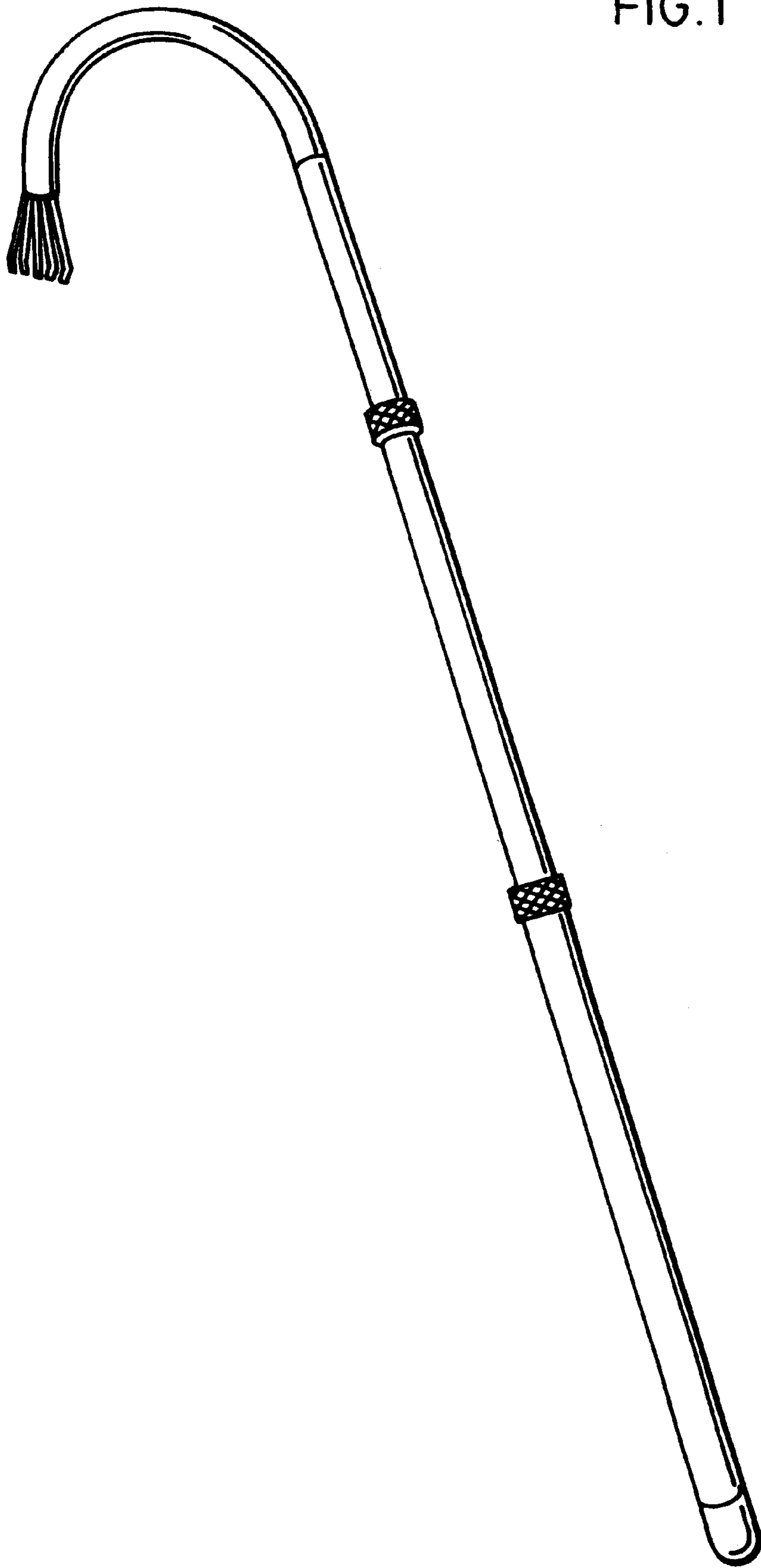


FIG. 2

FIG. 3



FIG. 4



FIG. 5



FIG. 6

