



US00D443959S

(12) **United States Design Patent**
Leibson

(10) **Patent No.:** **US D443,959 S**

(45) **Date of Patent:** **** Jun. 19, 2001**

- (54) **POOL CLEANER**
- (75) Inventor: **Abraham Leibson**, Lambertville, NJ (US)
- (73) Assignee: **H-Tech, Inc.**, Wilmington, DE (US)
- (**) Term: **14 Years**
- (21) Appl. No.: **29/128,385**
- (22) Filed: **Aug. 23, 2000**
- (51) **LOC (7) Cl.** **15-05**
- (52) **U.S. Cl.** **D32/15**
- (58) **Field of Search** D32/1, 15, 17, D32/18, 19, 20, 21, 22, 23, 24-25, 29-34; 15/1.7, 22.1, 23, 28; 180/1 R, 75; 210/169, 416.2, 460

D. 400,319	10/1998	Hofheins et al.	D32/1
D. 428,964 *	8/2000	King	D23/213
3,074,078 *	1/1963	Varian	210/169
3,676,884	7/1972	Wulc .	
3,753,265	8/1973	Wulc .	
3,758,276 *	9/1973	Bond et al.	15/1.7
4,152,802 *	5/1979	Chauvier	15/1.7
5,128,031	7/1992	Midkiff .	

* cited by examiner

Primary Examiner—Louis S. Zarfaz
Assistant Examiner—Robert A. Delehanty
(74) *Attorney, Agent, or Firm*—Selitto, Behr & Kim

(57) **CLAIM**

The ornamental design for a pool cleaner, as shown.

DESCRIPTION

FIG. 1 is a front perspective view of a pool cleaner, showing my new design;
FIG. 2 is a front elevational view thereof;
FIG. 3 is a rear elevational view thereof;
FIG. 4 is a left side elevational view thereof, the right side elevational view being a mirror image of FIG. 4;
FIG. 5 is a top plan view thereof; and,
FIG. 6 is a bottom plan view thereof.

1 Claim, 6 Drawing Sheets

- (56) **References Cited**
- U.S. PATENT DOCUMENTS**
- D. 309,965 8/1990 Brooks .
- D. 318,154 7/1991 Wen D32/21
- D. 325,656 4/1992 Davis .
- D. 338,290 8/1993 Bart .
- D. 338,752 8/1993 Bart .
- D. 356,626 * 3/1995 Wang D23/213

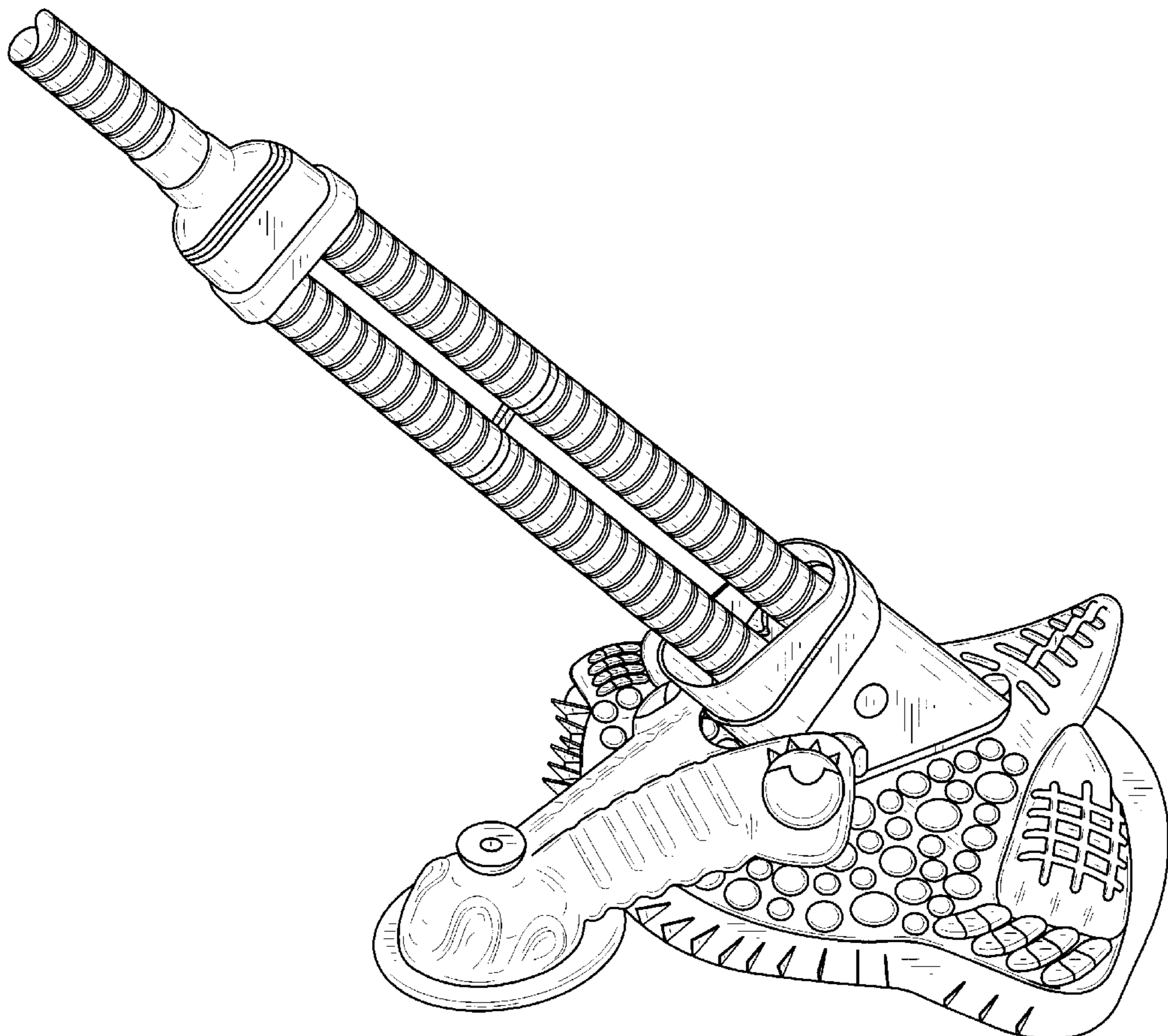


FIG. 1

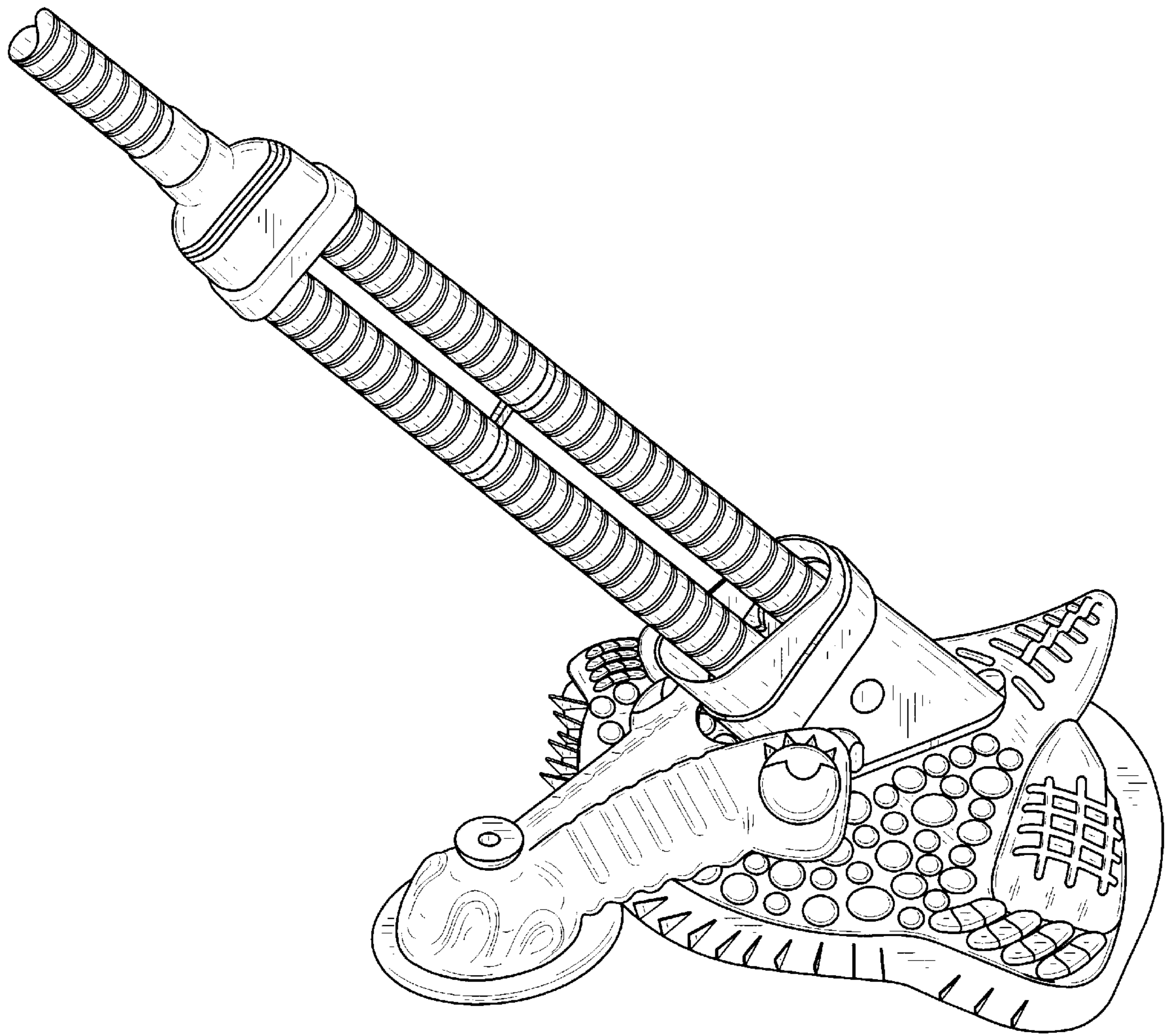


FIG. 2

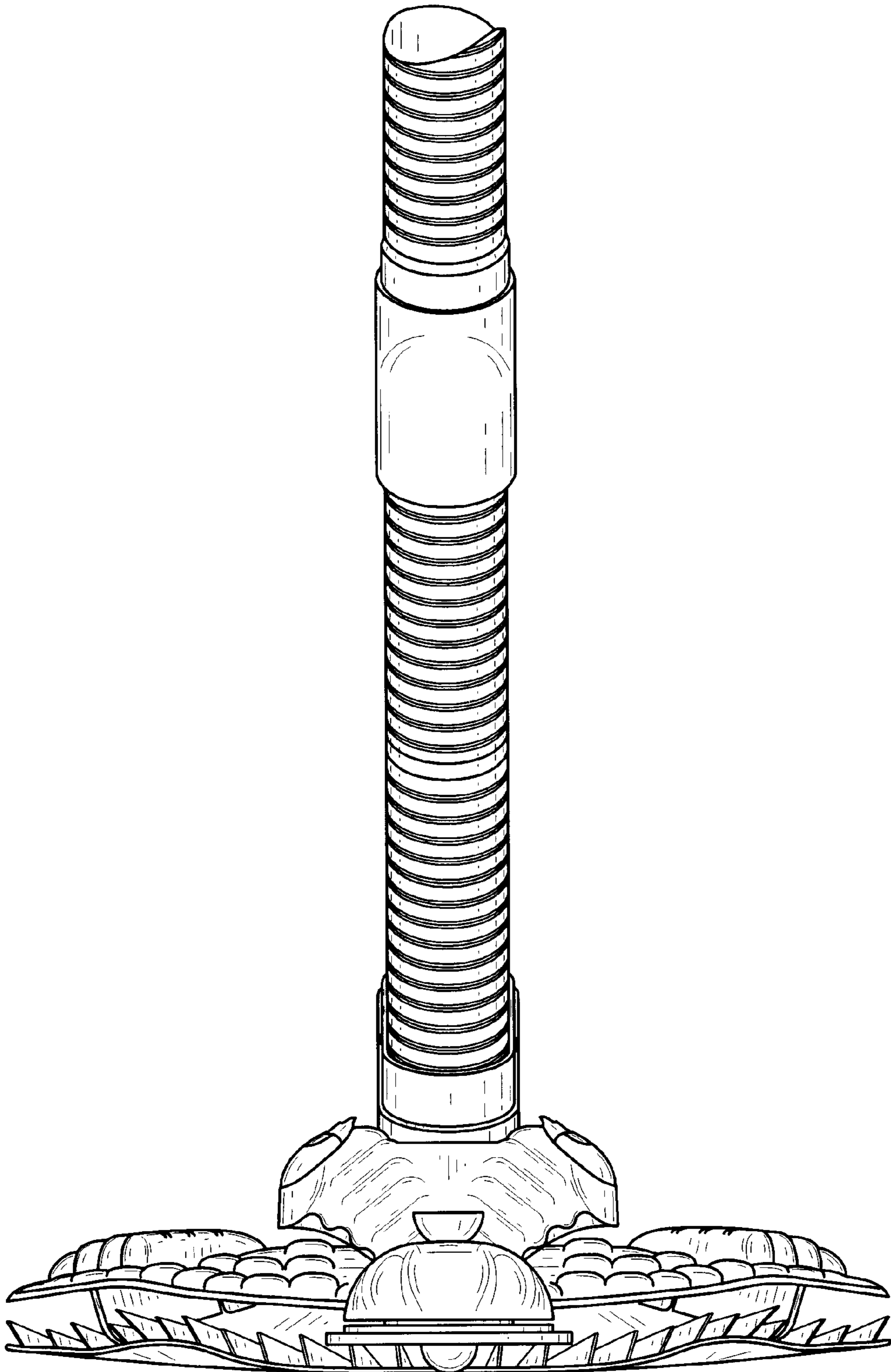


FIG. 3

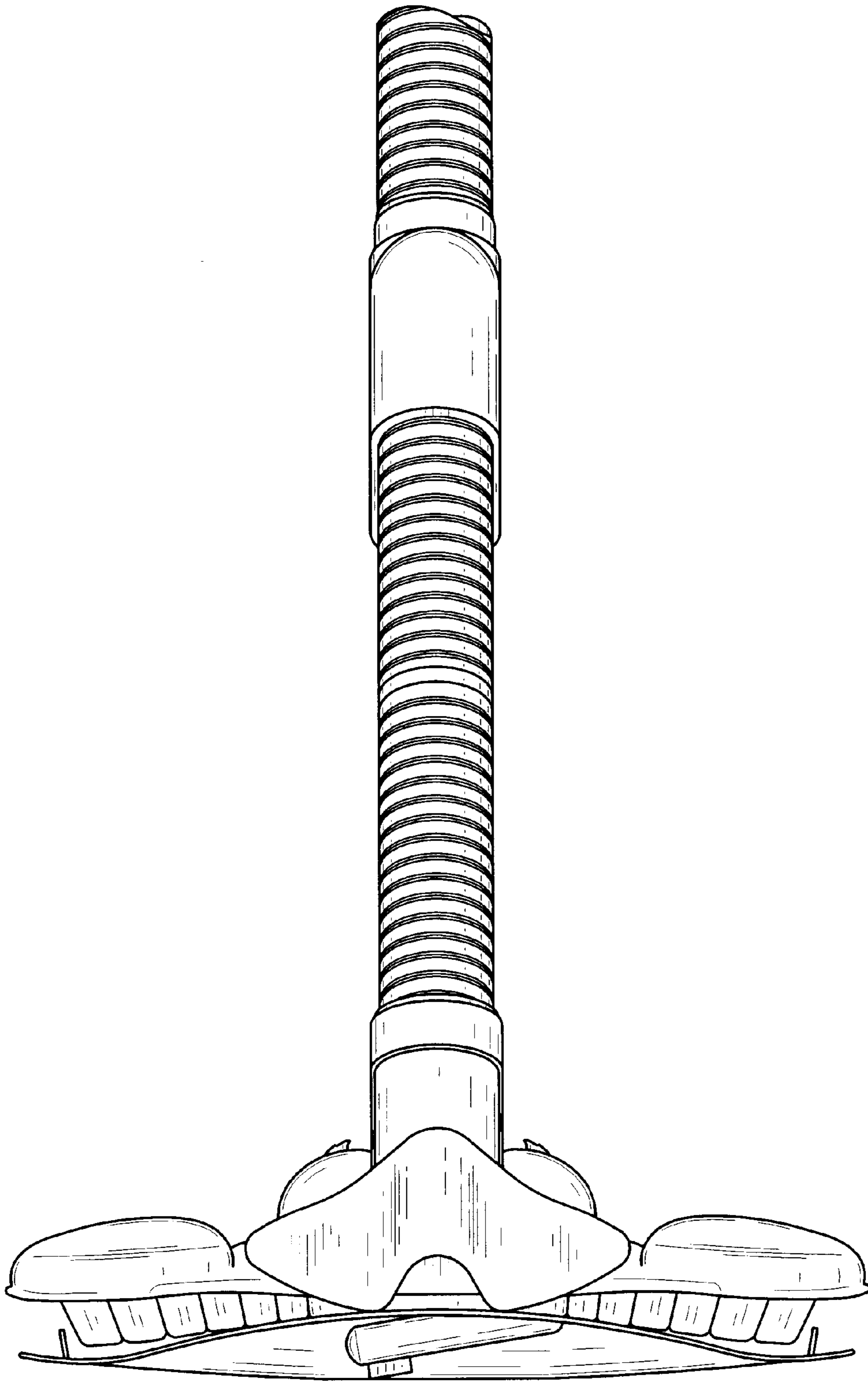


FIG. 4

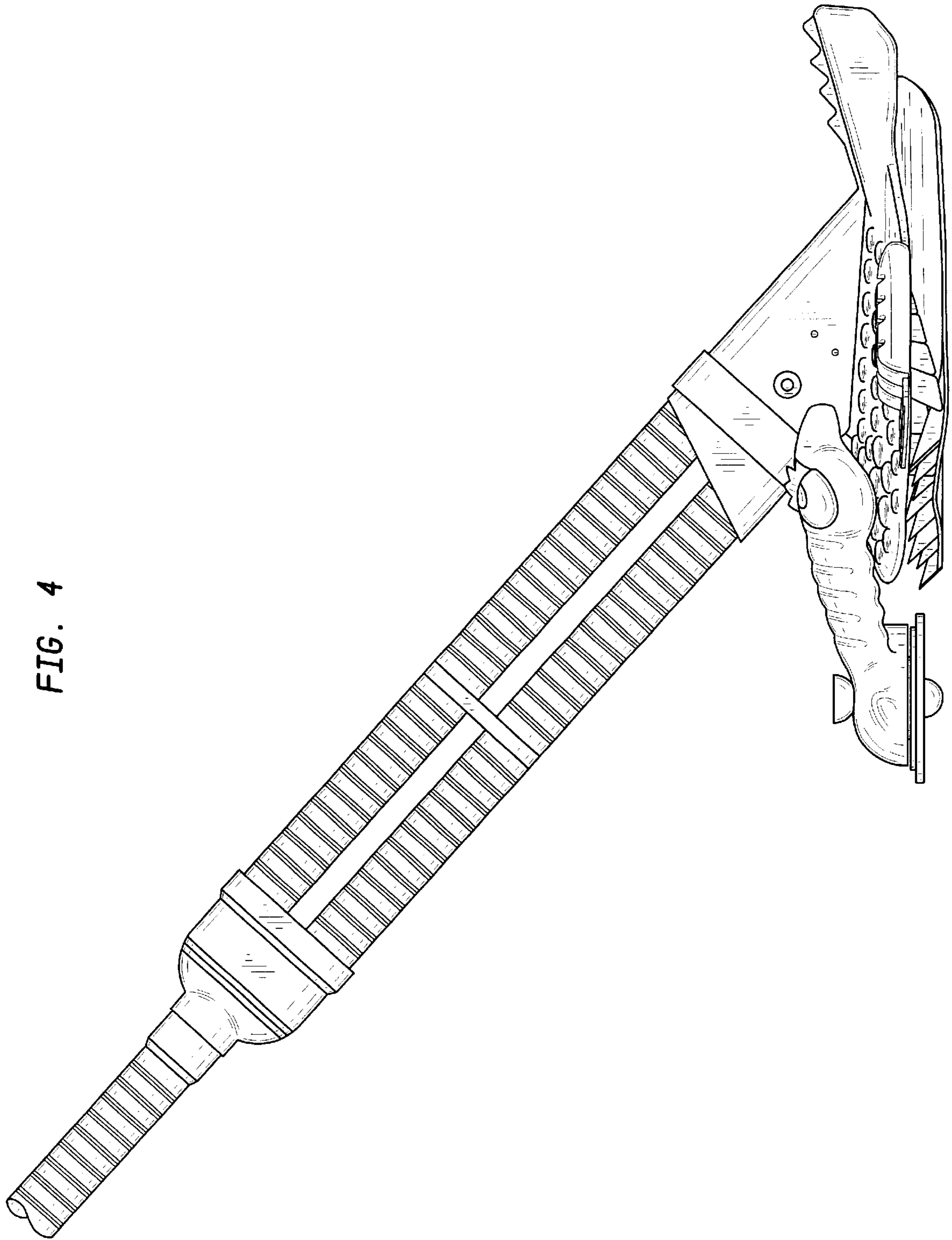


FIG. 5

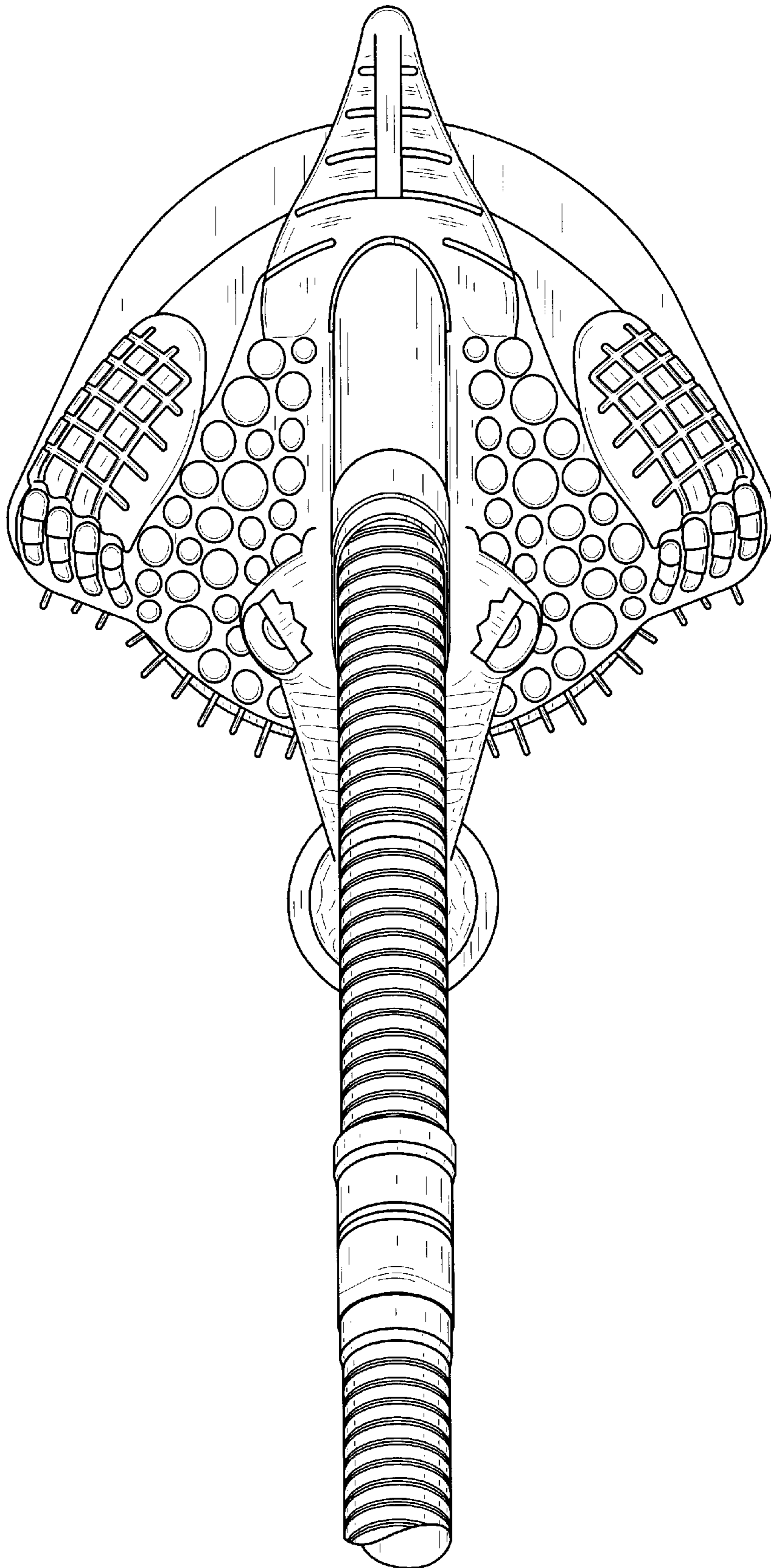


FIG. 6

