



US00D443958S

(12) **United States Design Patent**
Chrisco et al.

(10) **Patent No.:** **US D443,958 S**

(45) **Date of Patent:** **** Jun. 19, 2001**

(54) **PET CARRIER**

(75) Inventors: **Larry L. Chrisco**, Fairland; **Charles L. Forbis**, Quapaw, both of OK (US)

(73) Assignee: **Blitz U.S.A., Inc.**, Miami, OK (US)

(**) Term: **14 Years**

(21) Appl. No.: **29/124,244**

(22) Filed: **Jun. 5, 2000**

(51) **LOC (7) Cl.** **30-02**

(52) **U.S. Cl.** **D30/109**

(58) **Field of Search** D30/108-112,
D30/114-117, 118-119, 161; 119/452-453,
702-706, 459-471, 531, 455, 161-171,
428-435, 843, 28.5, 496, 482, 497-498

(56) **References Cited**

U.S. PATENT DOCUMENTS

D. 299,565	*	1/1989	Hsu	D30/108
D. 308,429	*	6/1990	VanSkiver	D30/109
D. 312,333	*	11/1990	Skiver	D30/109
D. 314,251	*	1/1991	Skiver	D30/109
D. 331,131	*	11/1992	Quillen	D30/109
D. 335,965	*	6/1993	Spring	D30/108
D. 367,732	*	3/1996	Murphy et al.	D30/108
D. 367,733	*	3/1996	Paxman et al.	D30/109
D. 374,510	*	10/1996	Barreto, III et al.	D30/108
D. 376,225	*	12/1996	Hauck	D30/109

D. 431,884	*	10/2000	Moreno	D30/108
2,821,165	*	1/1958	Wright	119/482
4,256,056	*	3/1981	Sou	119/497
4,484,540	*	11/1984	Yamamoto	119/497
4,852,520	*	8/1989	Goetz	119/497
5,357,900	*	10/1994	Ho	119/479
5,467,734	*	11/1995	Ho	119/497
5,471,950	*	12/1995	White	119/497
5,701,843	*	12/1997	Lazides	119/496
5,967,090	*	10/1999	Hui	119/497
6,044,799	*	4/2000	Tominaga	119/472
6,131,534	*	10/2000	Axelrod	119/499

* cited by examiner

Primary Examiner—Cathy Anne MacCormac

(74) *Attorney, Agent, or Firm*—Hovey, Williams, Timmons & Collins

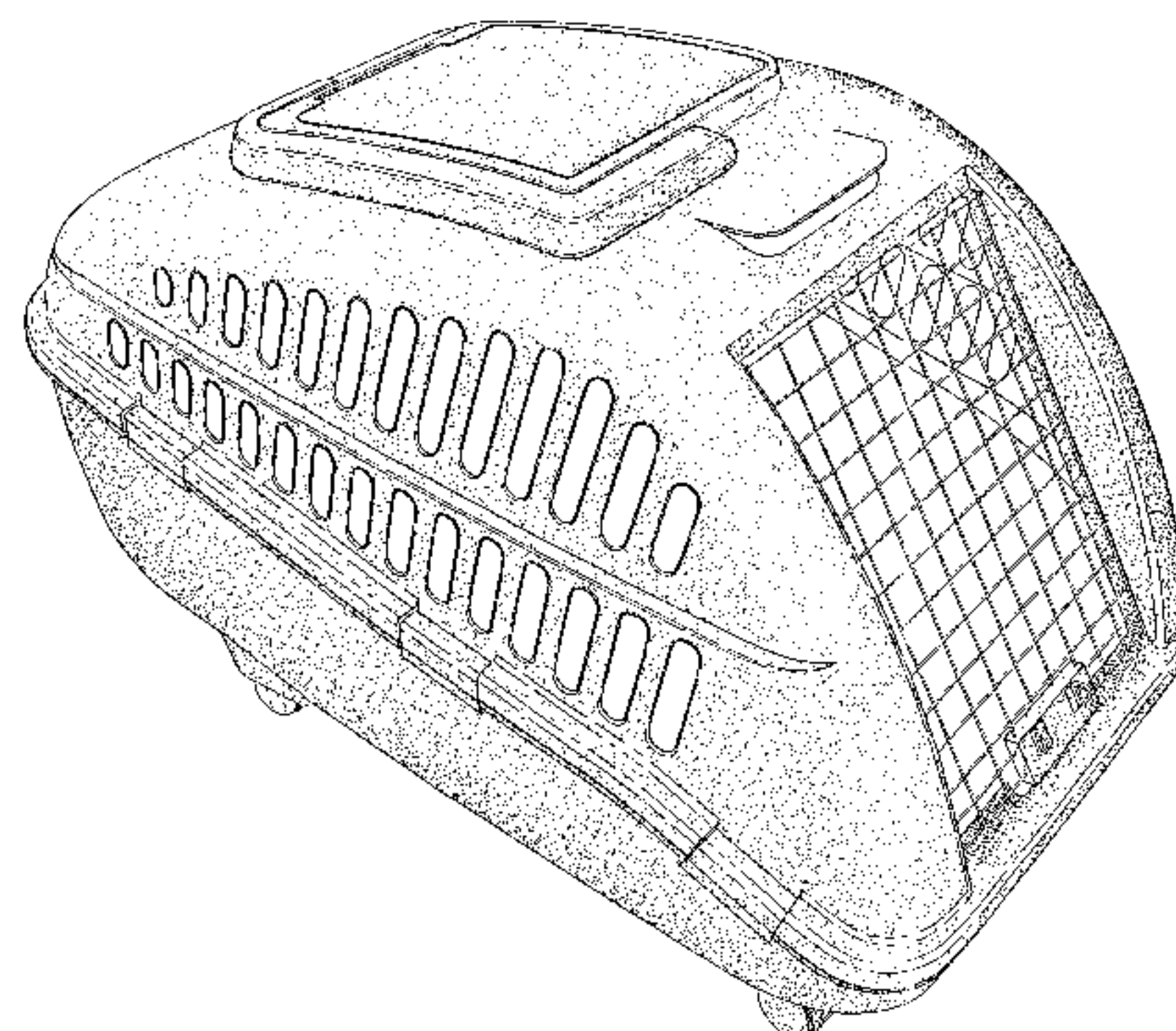
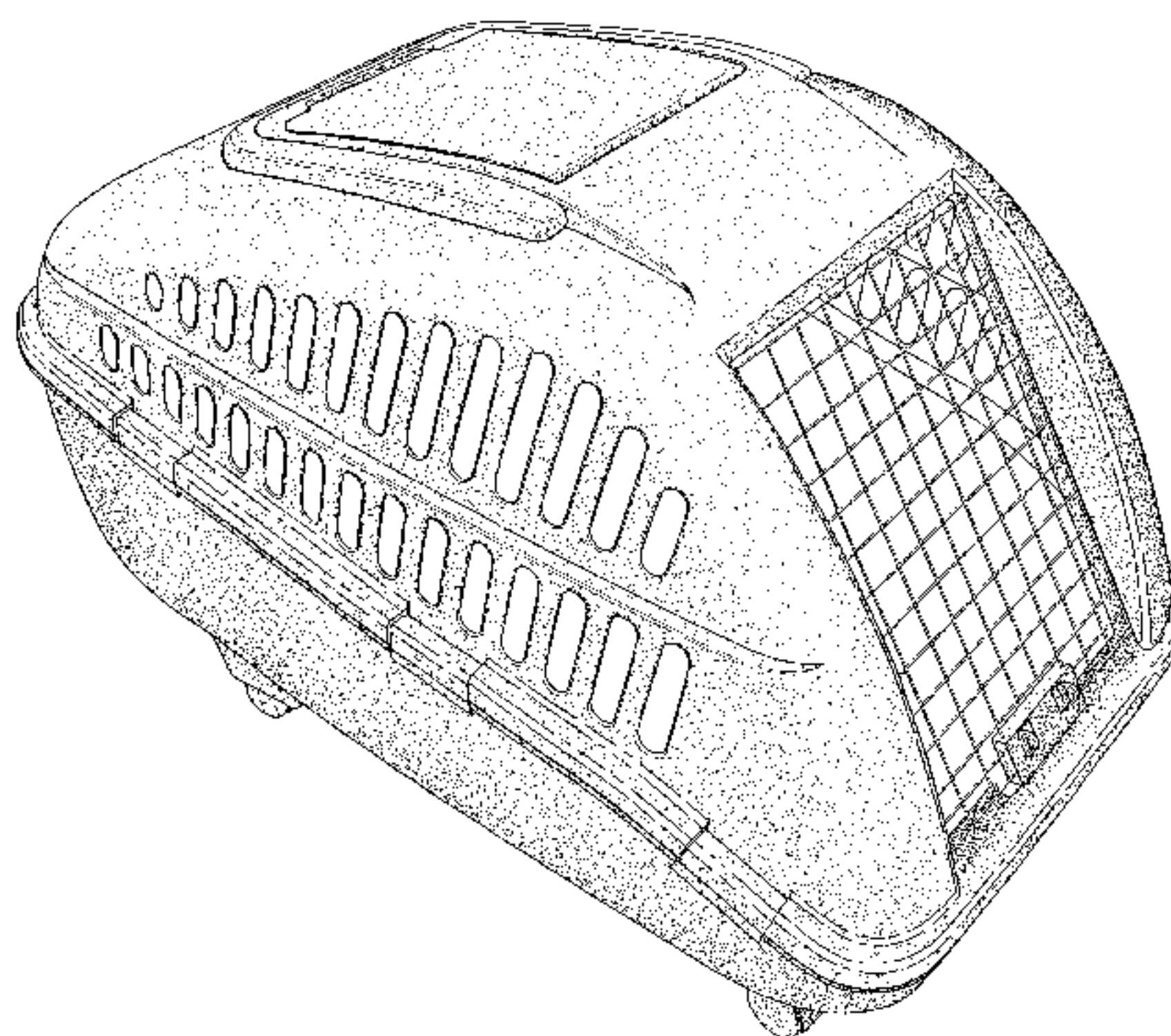
(57) **CLAIM**

The ornamental design for a pet carrier, as shown and described.

DESCRIPTION

FIG. 1 is a front perspective view;
FIG. 2 is a rear perspective view;
FIG. 3 is a side elevational view, the opposite side being a mirror image thereof;
FIG. 4 is a front elevational view; and,
FIG. 5 is a front perspective view of a further embodiment of the invention.

1 Claim, 4 Drawing Sheets



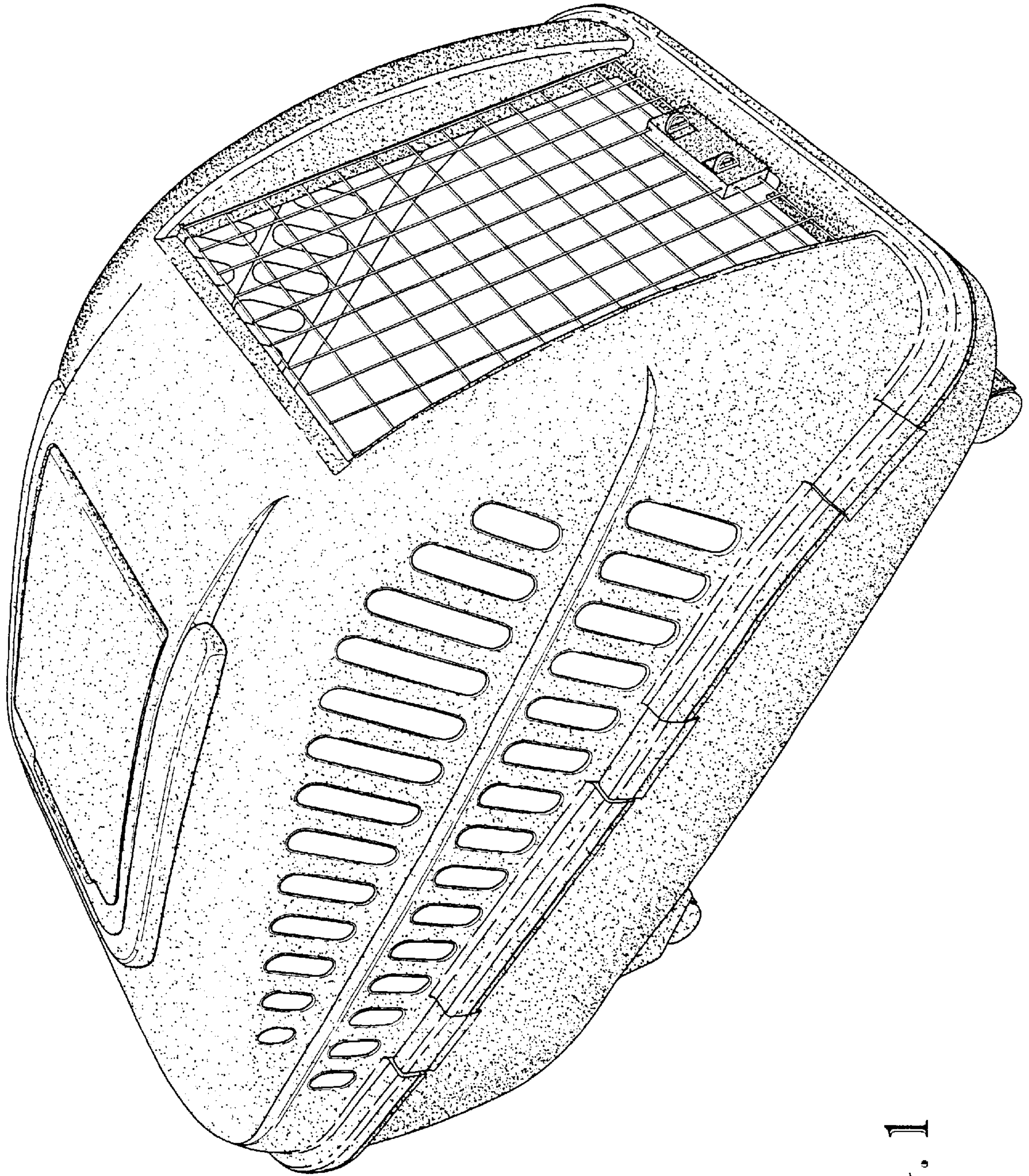


FIG. 1

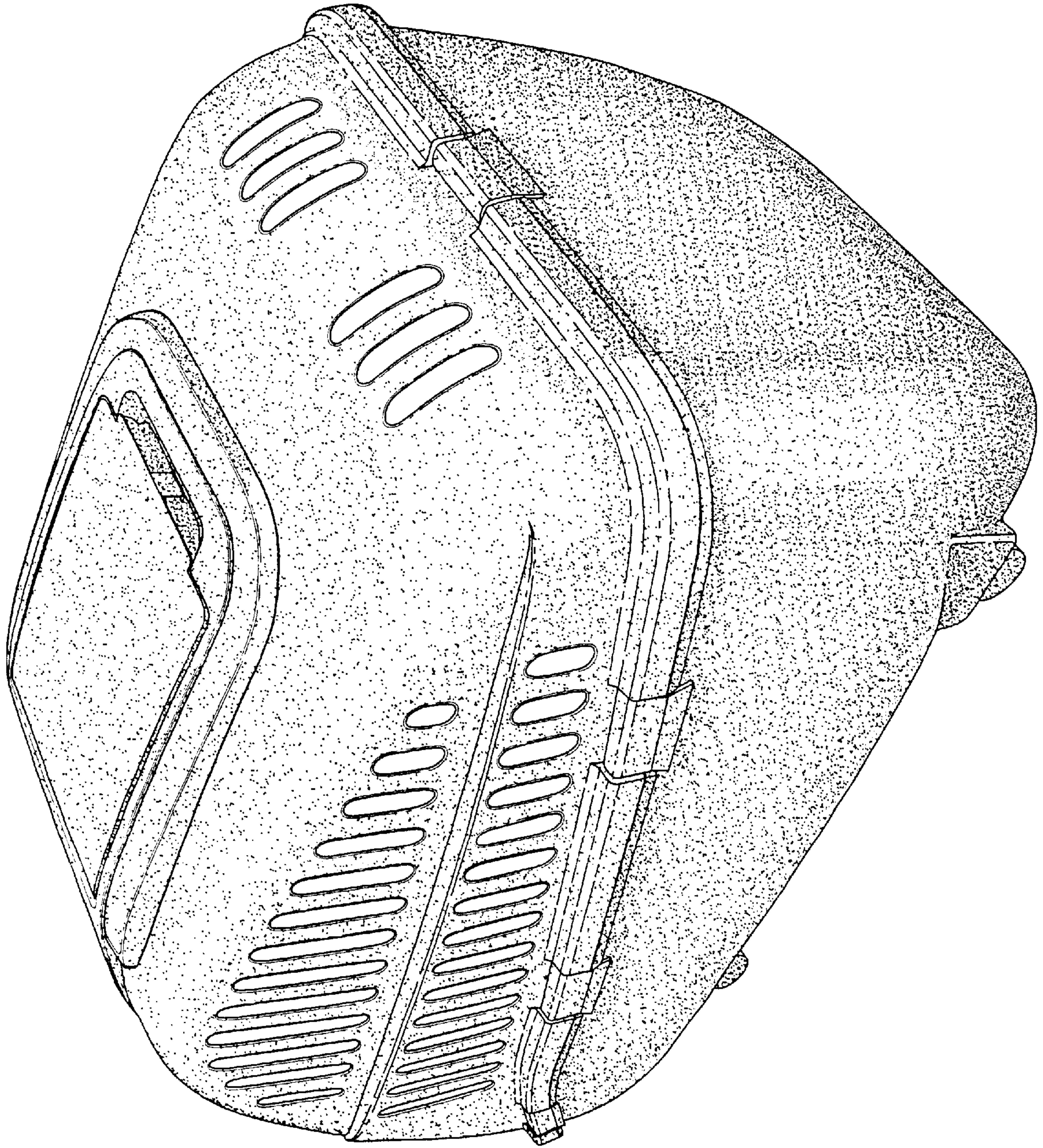


FIG. 2

FIG. 4

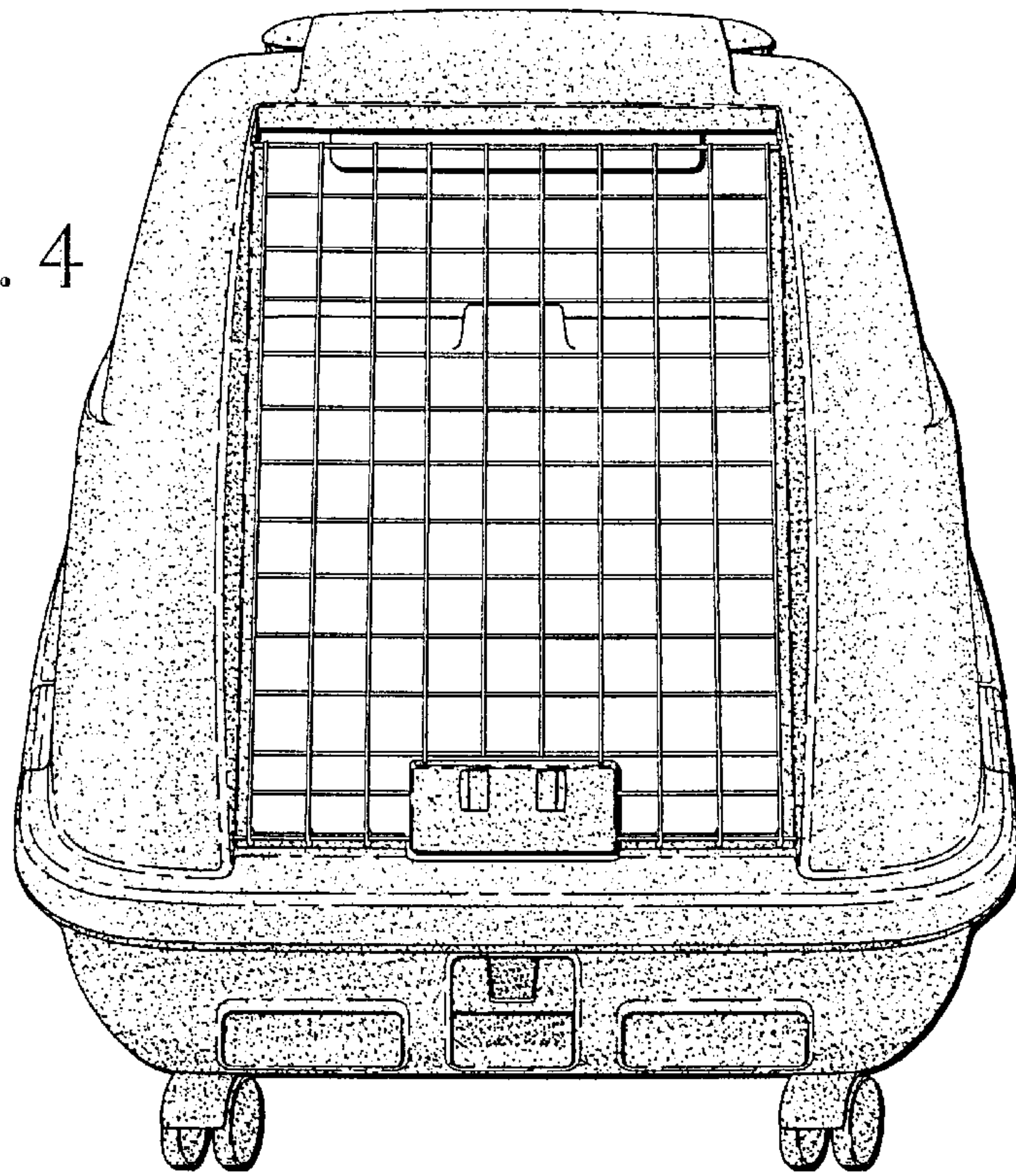
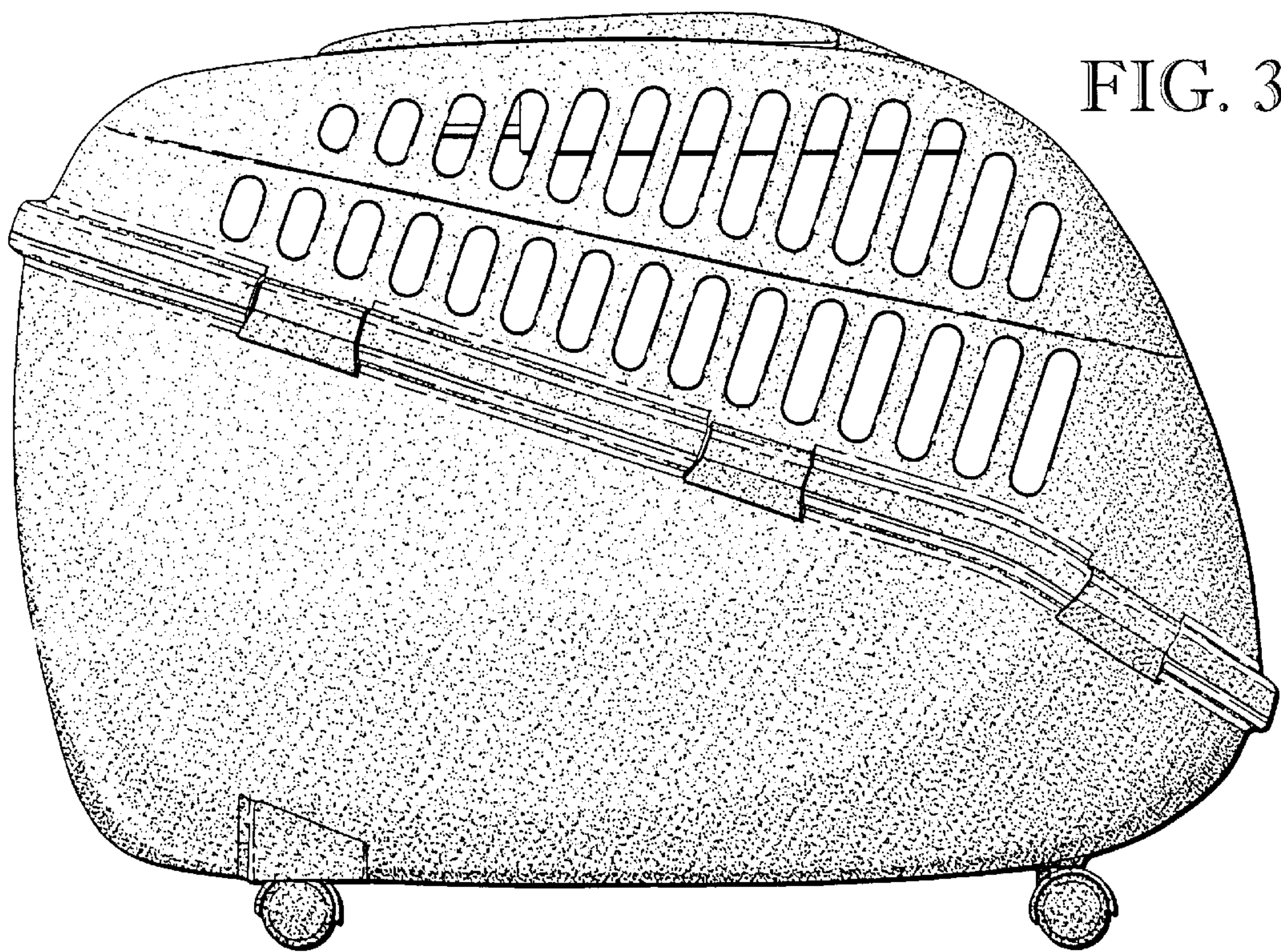


FIG. 3



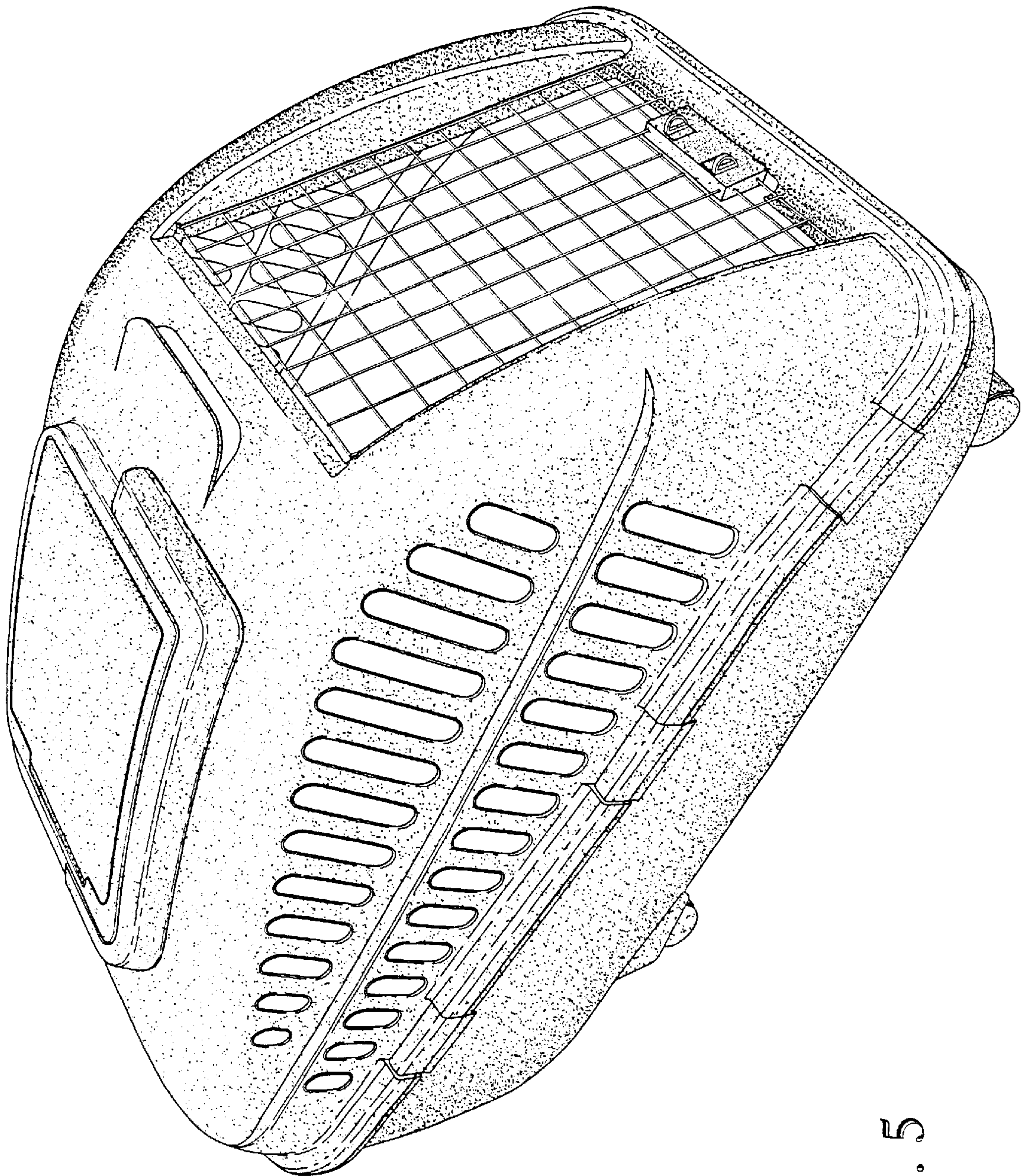


FIG. 5