



US00D443957S

(12) **United States Design Patent**
Chambers

(10) **Patent No.:** **US D443,957 S**

(45) **Date of Patent:** **** Jun. 19, 2001**

(54) **PET SHELTER**

(76) **Inventor:** **Vernon Wayne Chambers, Rte. 2, Box 35-4A, Angleton, TX (US) 77515**

(**) **Term:** **14 Years**

(21) **Appl. No.:** **29/087,493**

(22) **Filed:** **May 4, 1998**

(51) **LOC (7) Cl.** **30-02**

(52) **U.S. Cl.** **D30/109**

(58) **Field of Search** D30/161, 108-109,
D30/112-117; 119/464, 474, 482, 484,
467, 475, 436, 503, 445, 452, 489, 161-170,
496

(56) **References Cited**

U.S. PATENT DOCUMENTS

D. 227,126	*	6/1973	Brison	D30/109
D. 308,588	*	6/1990	Goetz	D30/109
D. 330,274	*	10/1992	Smith et al.	D30/108
D. 331,131	*	11/1992	Quillen	D30/109
D. 334,087	*	3/1993	Goetz	D30/108
D. 334,444	*	3/1993	Darby	D30/108
D. 376,225	*	12/1996	Hauck	D30/109
D. 387,507	*	12/1997	Willinger et al.	D30/108
D. 388,912	*	1/1998	Hurst et al.	D30/161
D. 403,129	*	12/1998	Mentz	D30/109

D. 412,223	*	7/1999	Medhurst	D30/109
3,890,932	*	6/1975	Sanzone et al.	D30/109
4,700,831	*	10/1987	Kassai	D30/109
4,909,188	*	3/1990	Tominaga	119/474
5,092,270	*	3/1992	Simons et al.	119/453
5,113,793	*	5/1992	Leader et al.	119/453
5,503,107	*	4/1996	Satcher et al.	119/496
5,524,573	*	6/1996	Hart	119/489
5,727,501	*	3/1998	York	119/482
5,775,261	*	7/1998	Shaw	119/482
5,924,380	*	7/1999	Rayborn	119/464

* cited by examiner

Primary Examiner—Cathy Anne MacCormac
(74) *Attorney, Agent, or Firm*—Goldstein & Canino

(57) **CLAIM**

The ornamental design for a pet shelter, as shown and described.

DESCRIPTION

FIG. 1 is a perspective view of the pet shelter.
FIG. 2 is a front elevational view thereof.
FIG. 3 is a rear elevational view thereof.
FIG. 4 is a top plan view thereof.
FIG. 5 is a bottom plan view thereof.
FIG. 6 is a right side elevational view thereof; and,
FIG. 7 is a left side elevational view thereof.

1 Claim, 7 Drawing Sheets

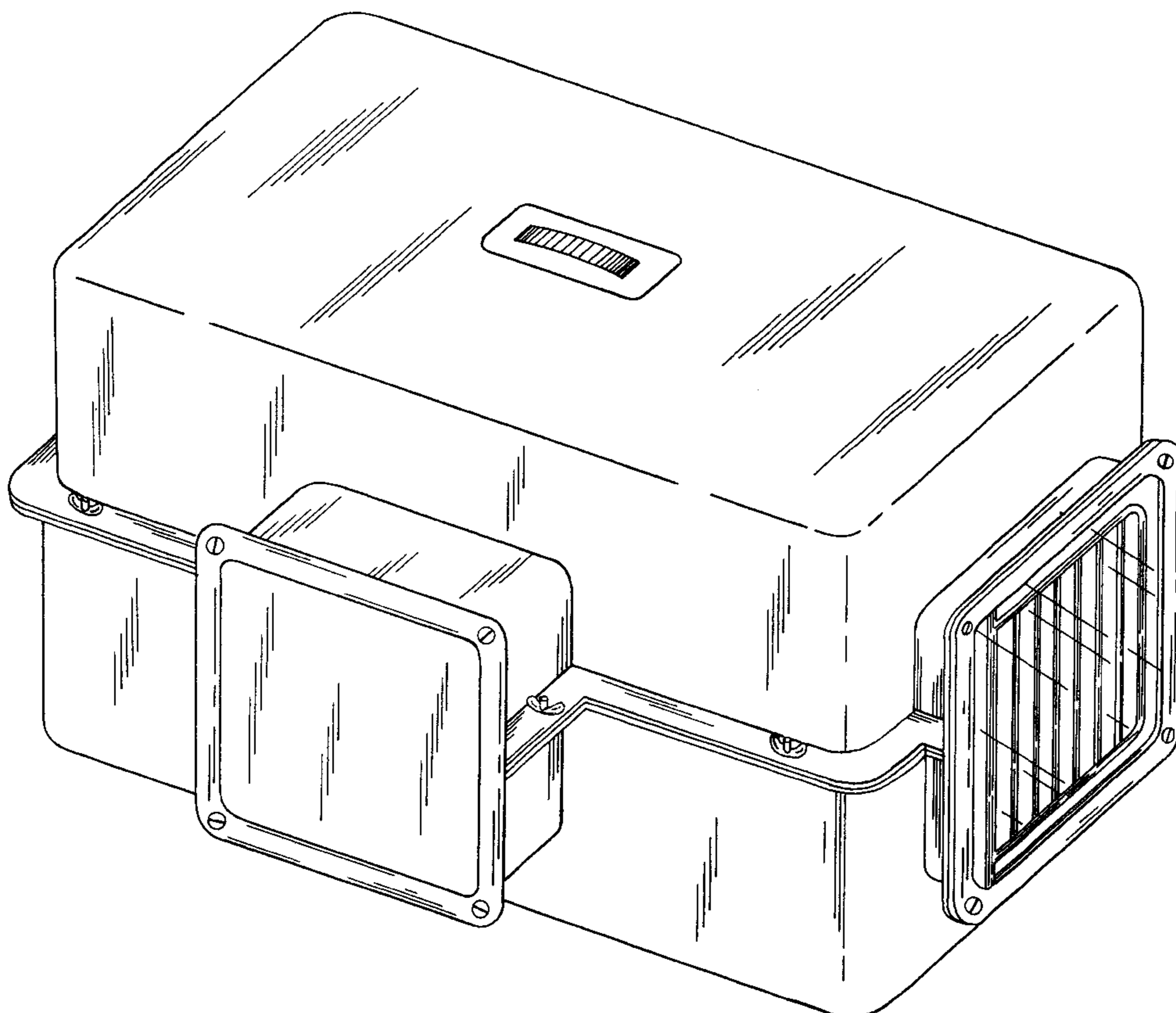


FIG. 1

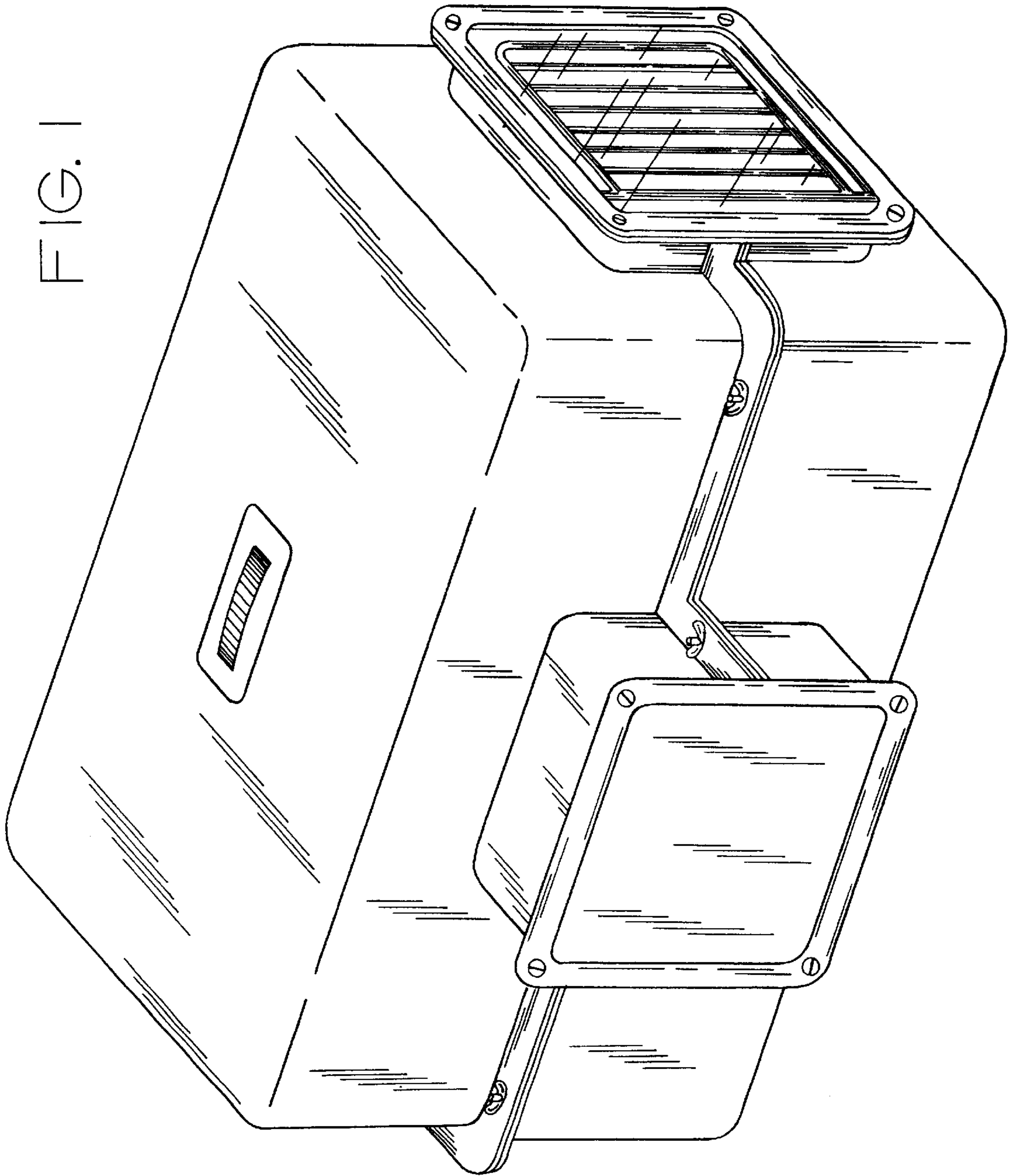


FIG. 2

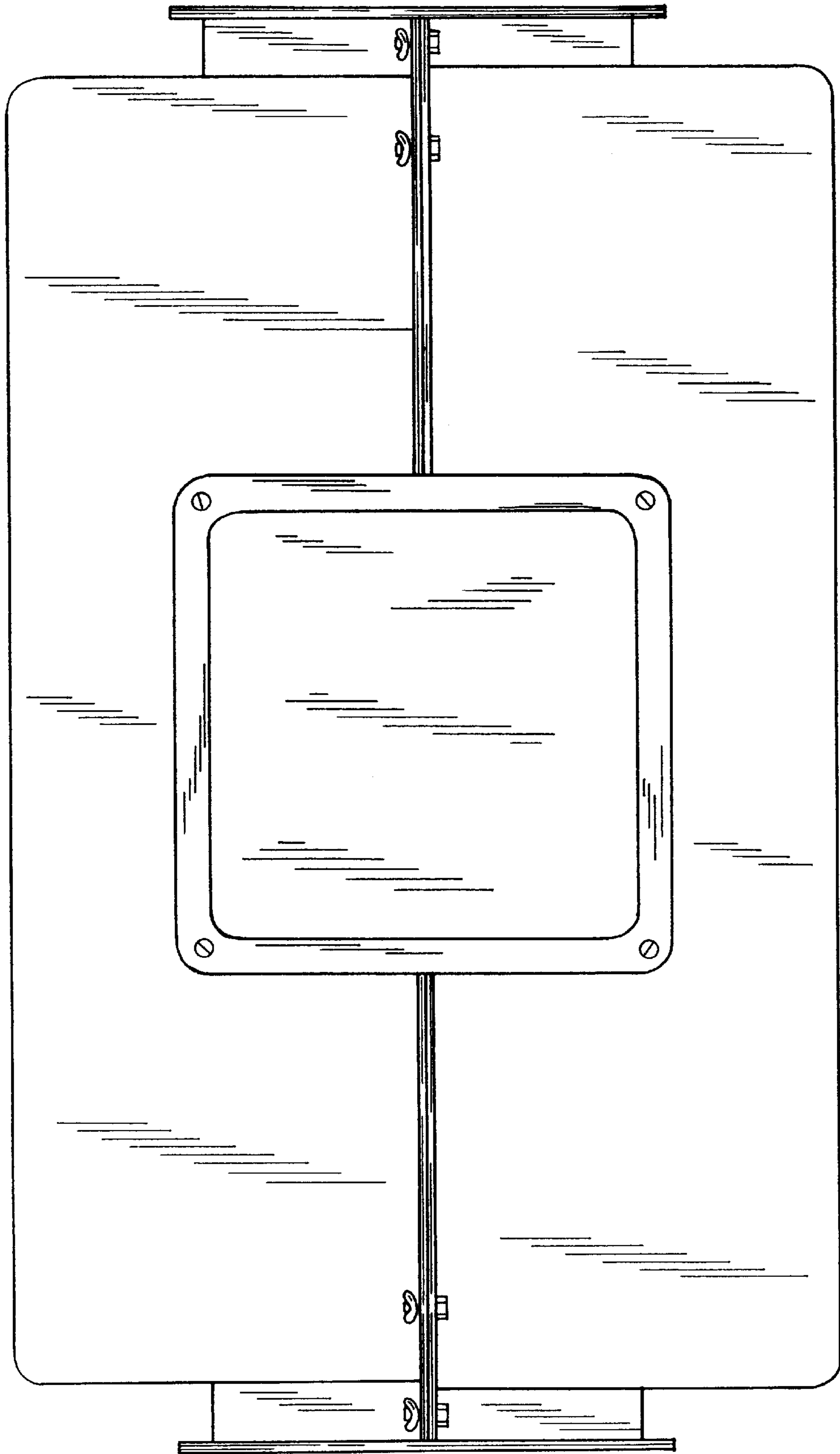
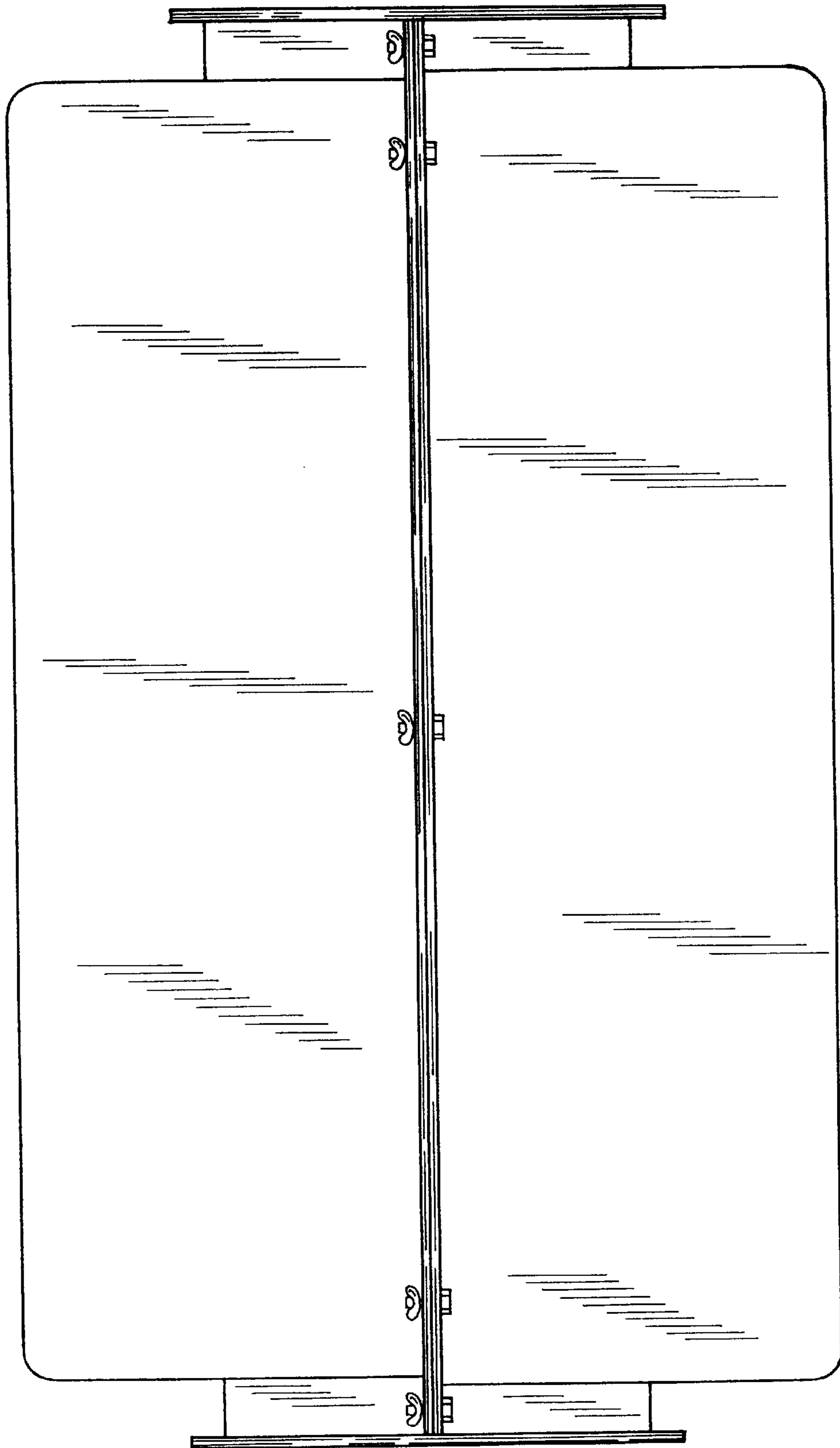


FIG. 3



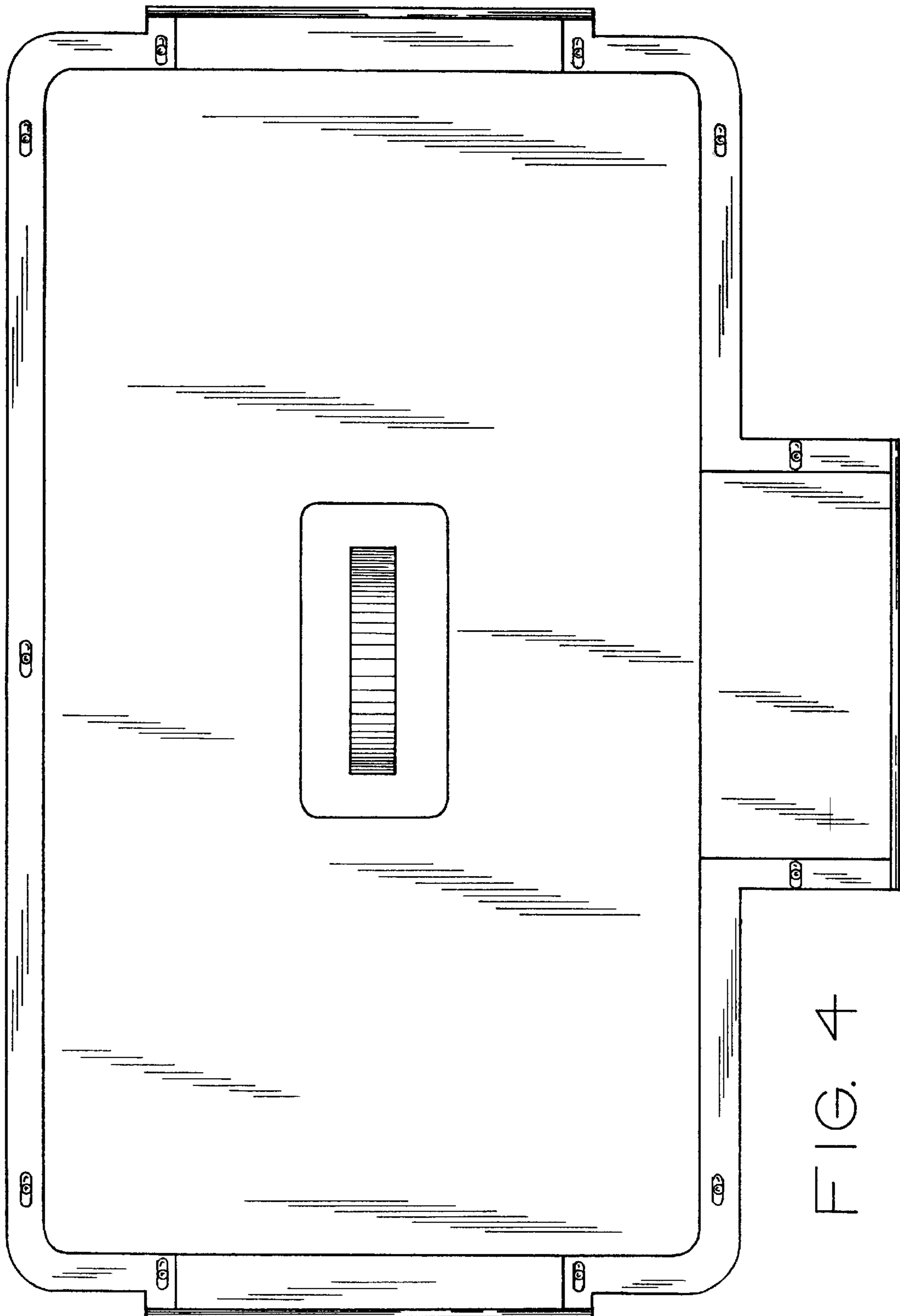


FIG. 4

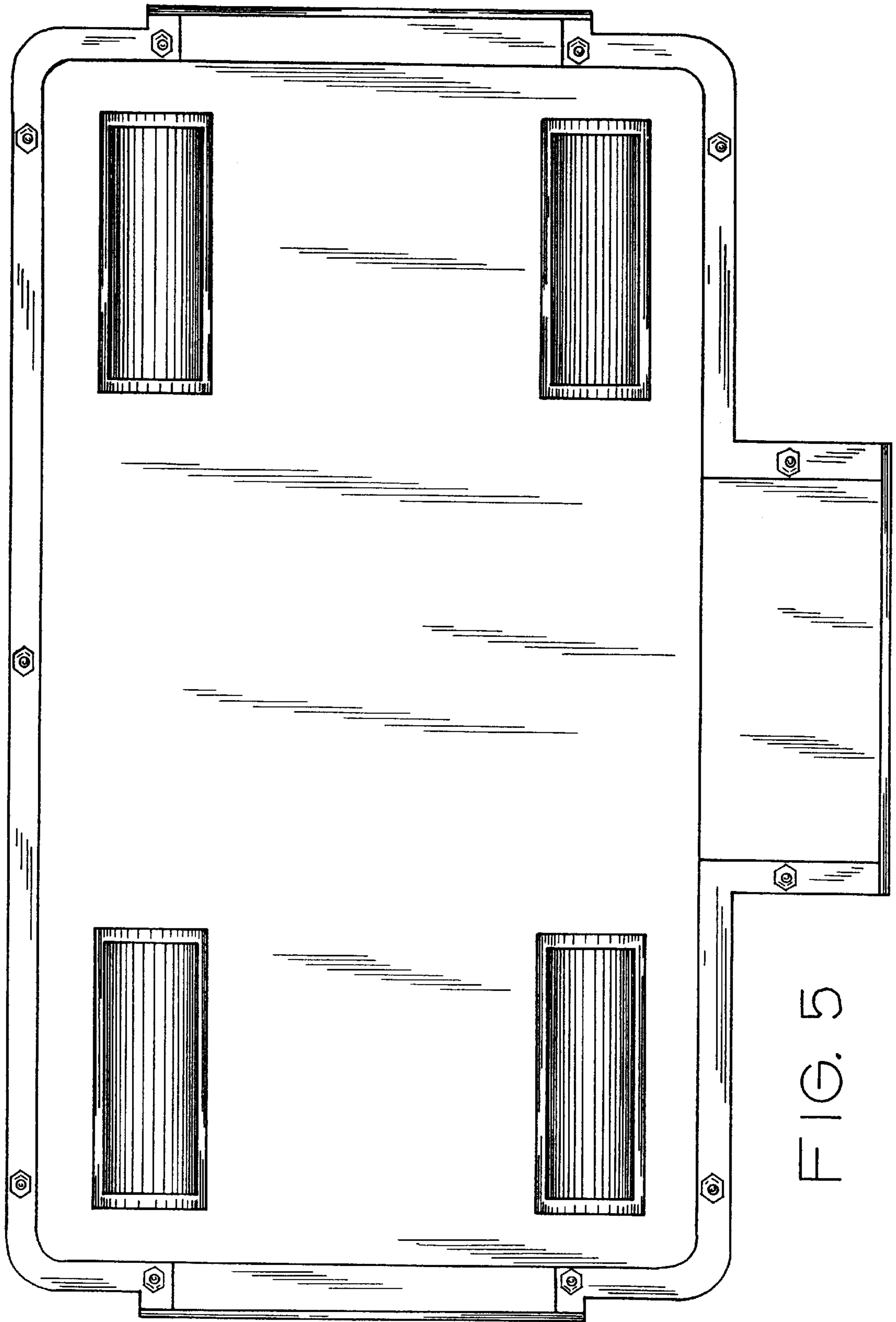


FIG. 5

FIG. 6

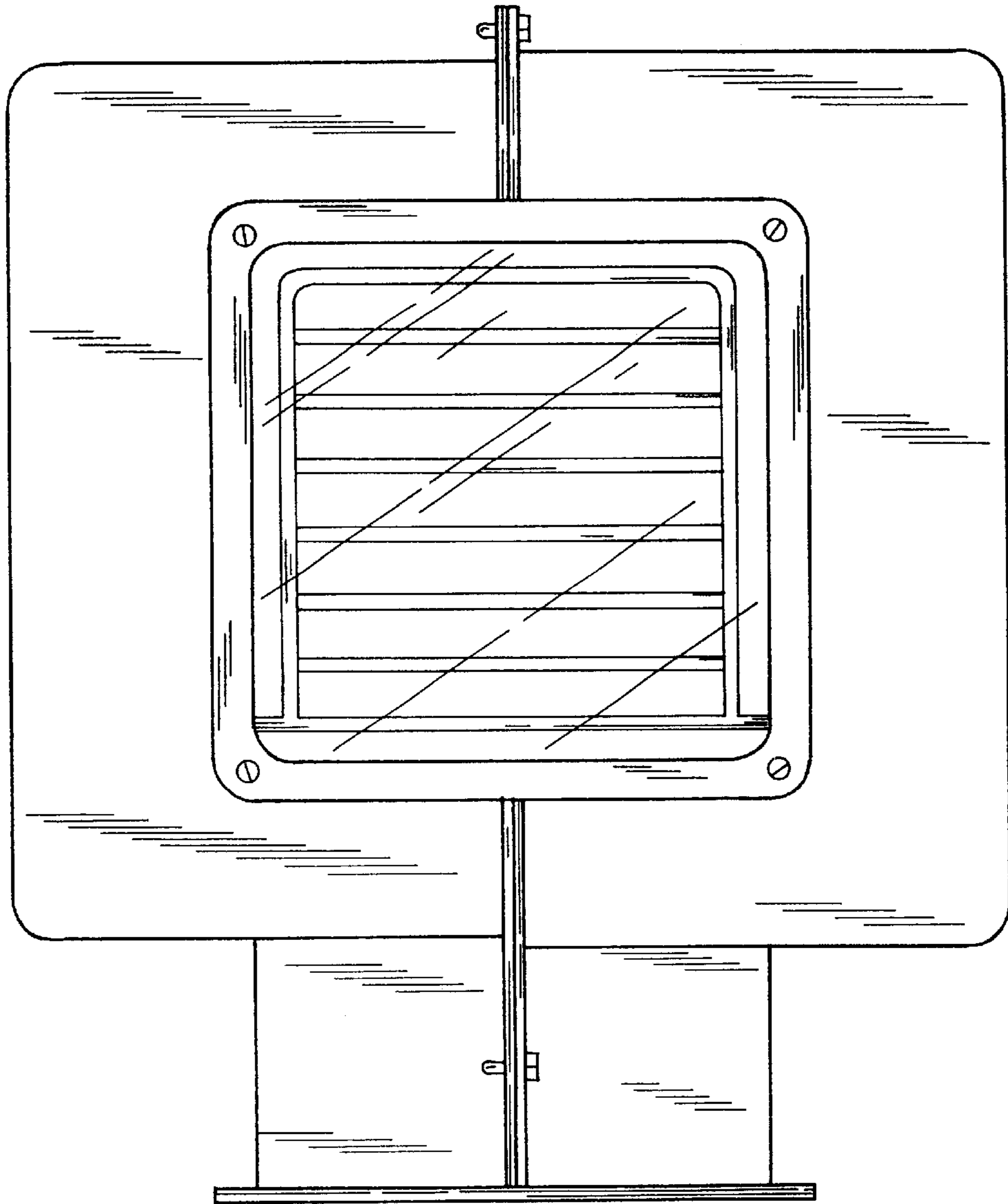


FIG. 7

