



US00D443956S

(12) **United States Design Patent**
Rudnick

(10) **Patent No.:** **US D443,956 S**

(45) **Date of Patent:** **** Jun. 19, 2001**

(54) **ANIMAL HABITAT**

5,799,611 * 9/1998 Park 119/702

(76) **Inventor:** **Paul Rudnick**, 73 Midway Island,
Clearwater, FL (US) 34630

* cited by examiner

(**) **Term:** **14 Years**

Primary Examiner—Cathy Anne MacCormac
(74) *Attorney, Agent, or Firm*—Larson & Larson, PA;
James E. Larson

(21) **Appl. No.:** **29/132,097**

(57) **CLAIM**

(22) **Filed:** **Nov. 1, 2000**

The ornamental design for an animal habitat, as shown and described.

(51) **LOC (7) Cl.** **30-02**

(52) **U.S. Cl.** **D30/108**

(58) **Field of Search** D30/108–112,
D30/114–119, 158, 160, 161; 119/702,
706–708, 602, 621–622, 474, 452–453,
455, 459, 462, 467, 416, 436, 482, 496,
502

DESCRIPTION

(56) **References Cited**

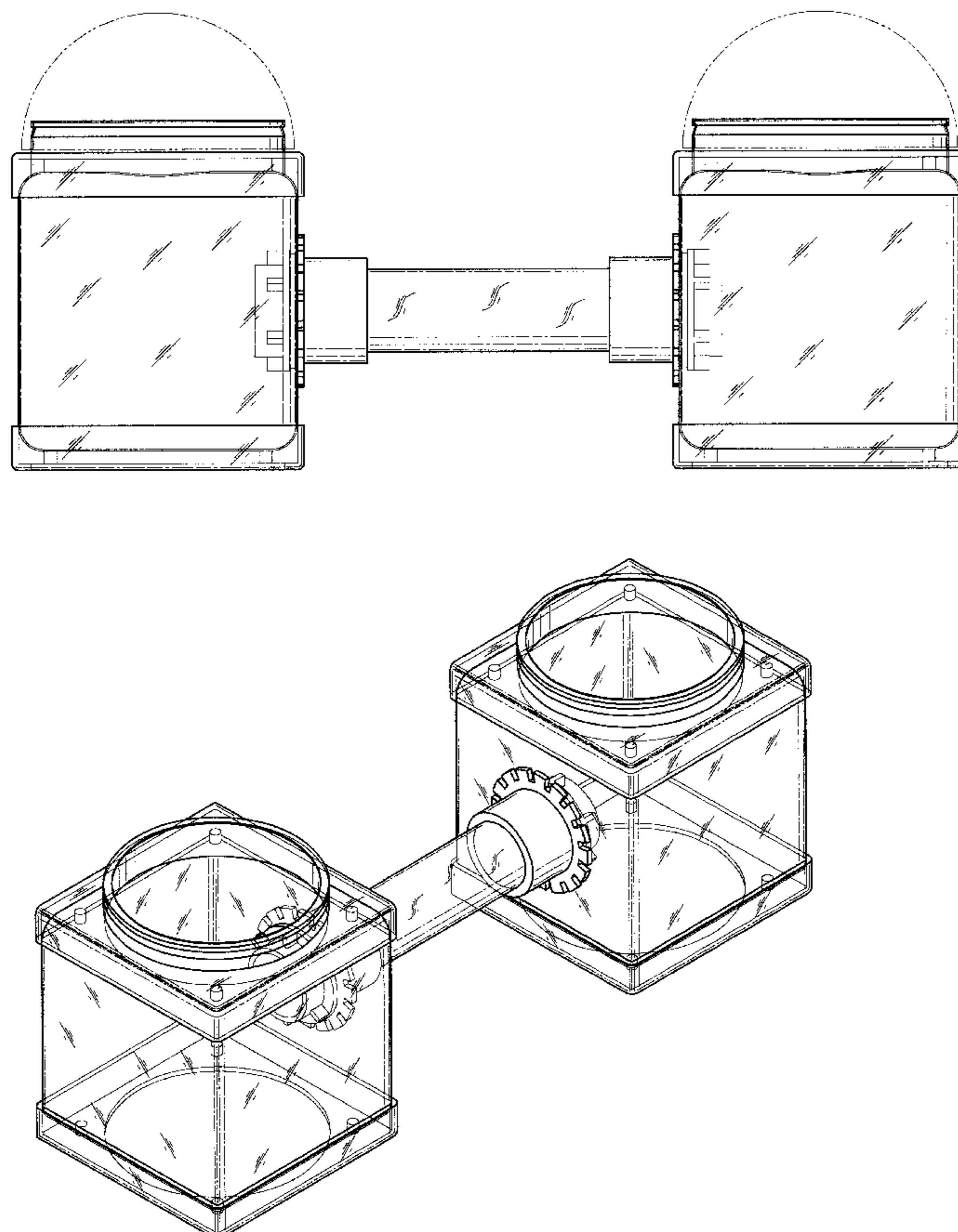
U.S. PATENT DOCUMENTS

D. 231,371	*	4/1974	Willinger et al.	D30/108
D. 246,914	*	1/1978	Dinnerstein et al.	D30/112
D. 256,847	*	9/1980	DeSousa	D30/112
D. 292,032	*	9/1987	Margolis	D30/112
D. 347,913	*	6/1994	Wellington et al.	D30/108
D. 389,610	*	1/1998	Krause	D30/108
D. 429,037	*	8/2000	Calhoun	D30/108
D. 430,708	*	9/2000	Lau	D30/108
5,711,253	*	1/1998	Phillips et al.	119/706

FIG. 1 is a front view of an animal habitat showing my novel design;
FIG. 2 is a back view thereof;
FIG. 3 is a left side view thereof;
FIG. 4 is a right side view thereof;
FIG. 5 is a top plan view thereof;
FIG. 6 is a bottom plan view thereof;
FIG. 7 is a perspective view of an animal habitat of the present invention; and,
FIG. 8 is a perspective view of a first embodiment of FIG. 1 .

The broken lines shown in FIG. 1 are for illustrative purposes only and forms no part of the overall claimed design.

1 Claim, 7 Drawing Sheets



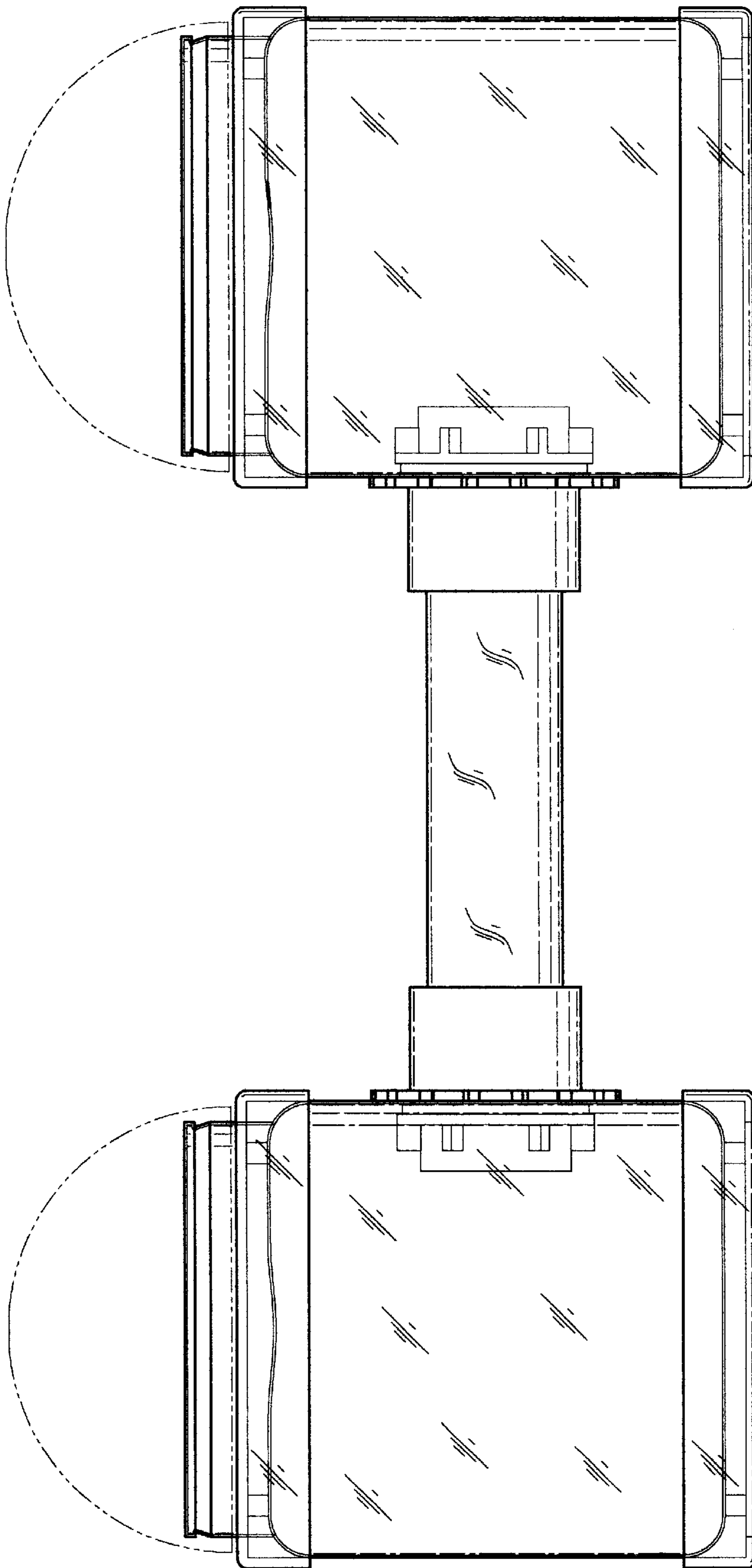


Fig. 1

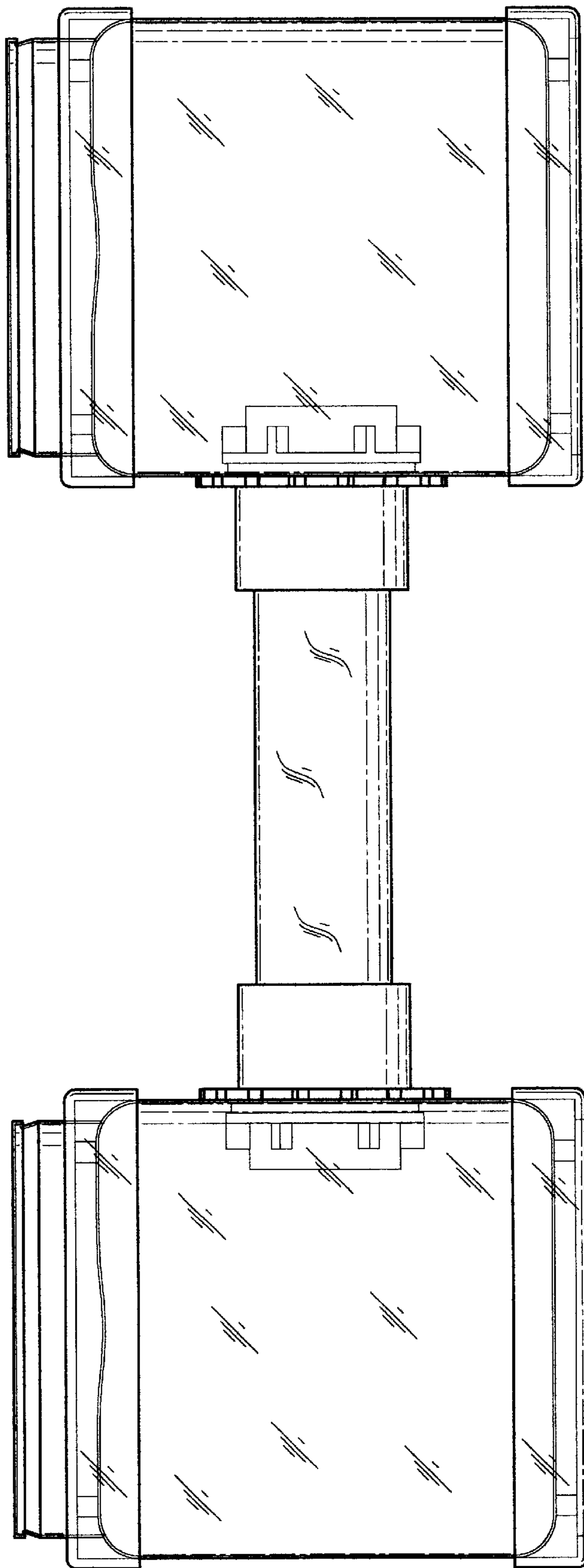


Fig. 2

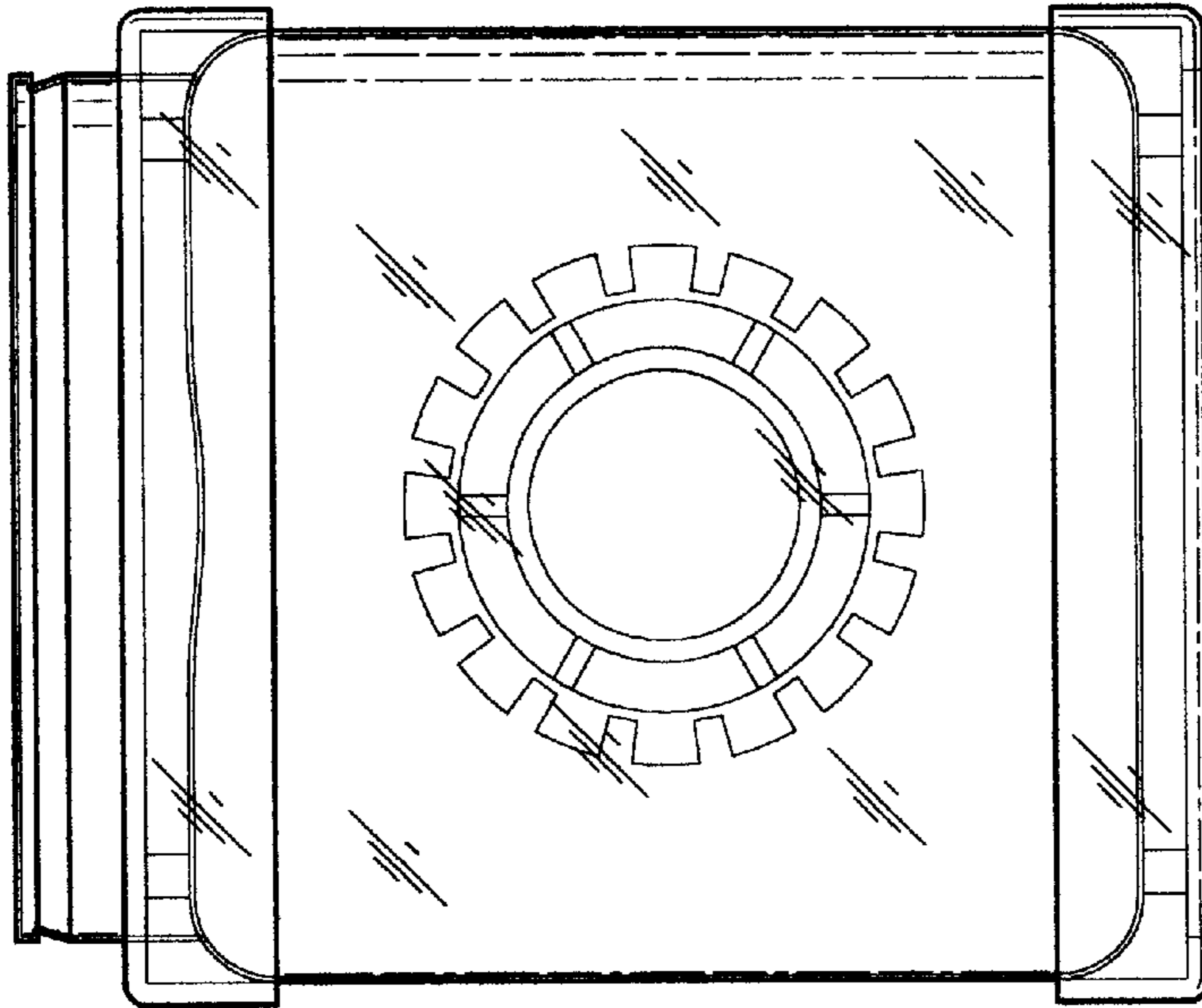


Fig. 3

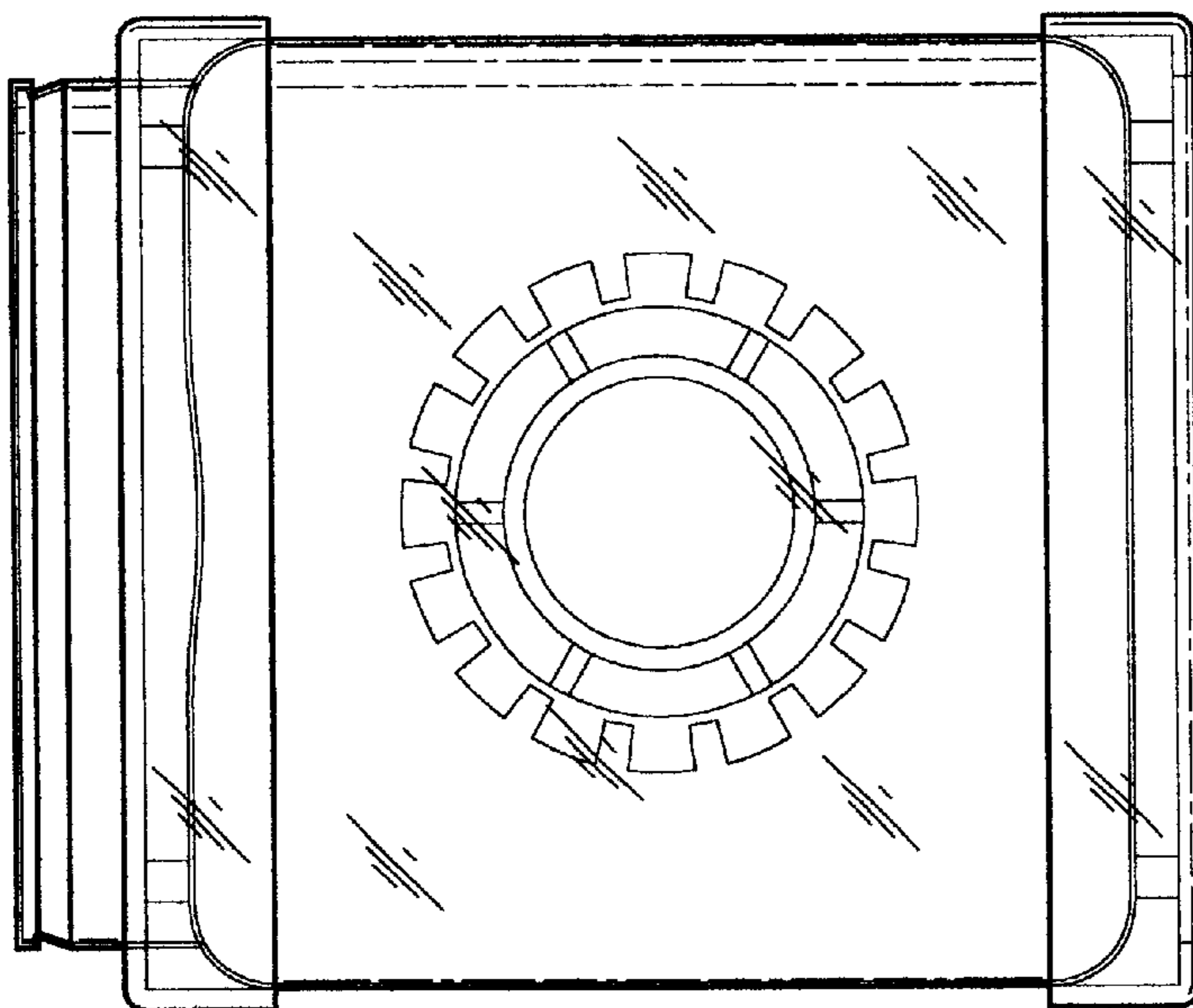


Fig. 4

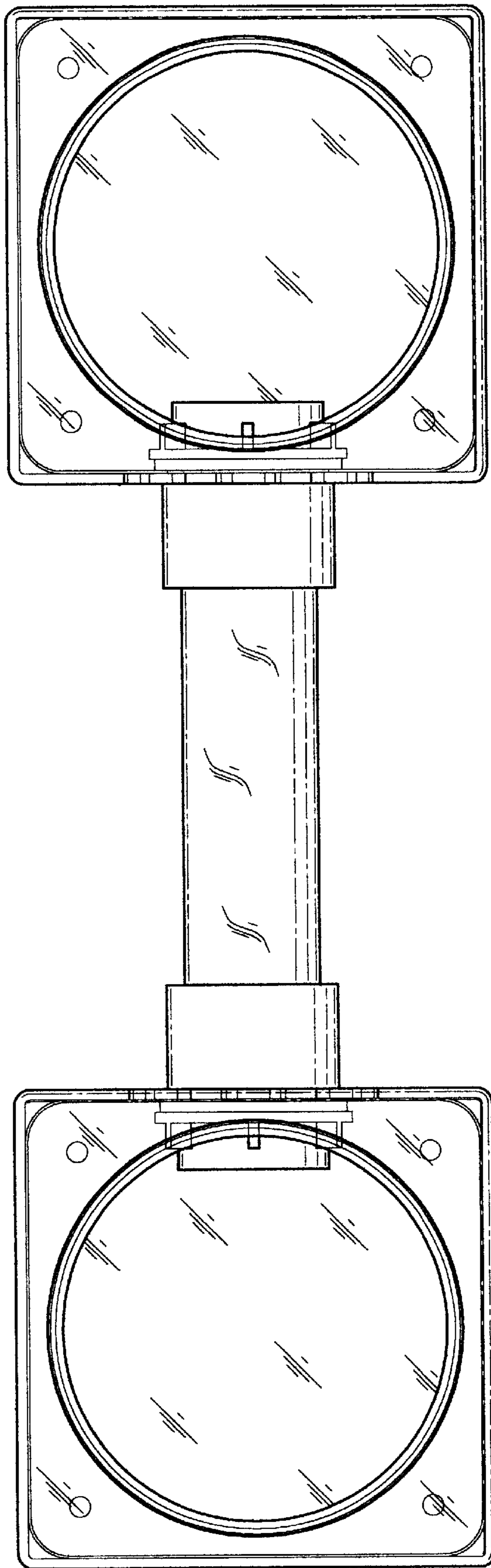


Fig. 5

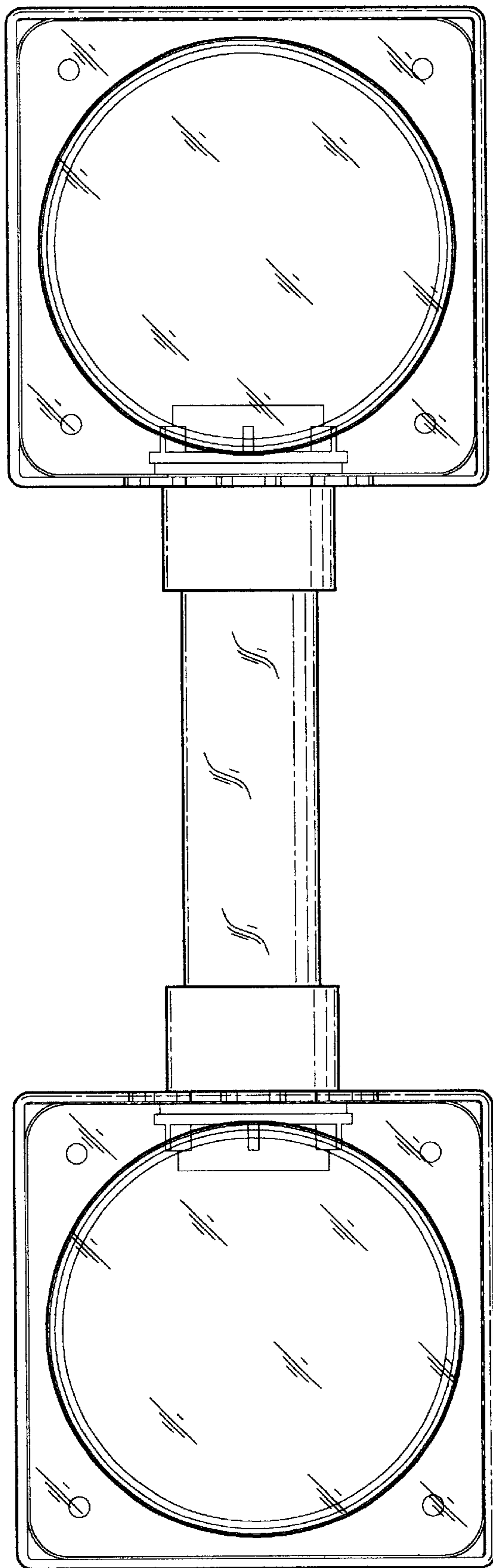


Fig. 6

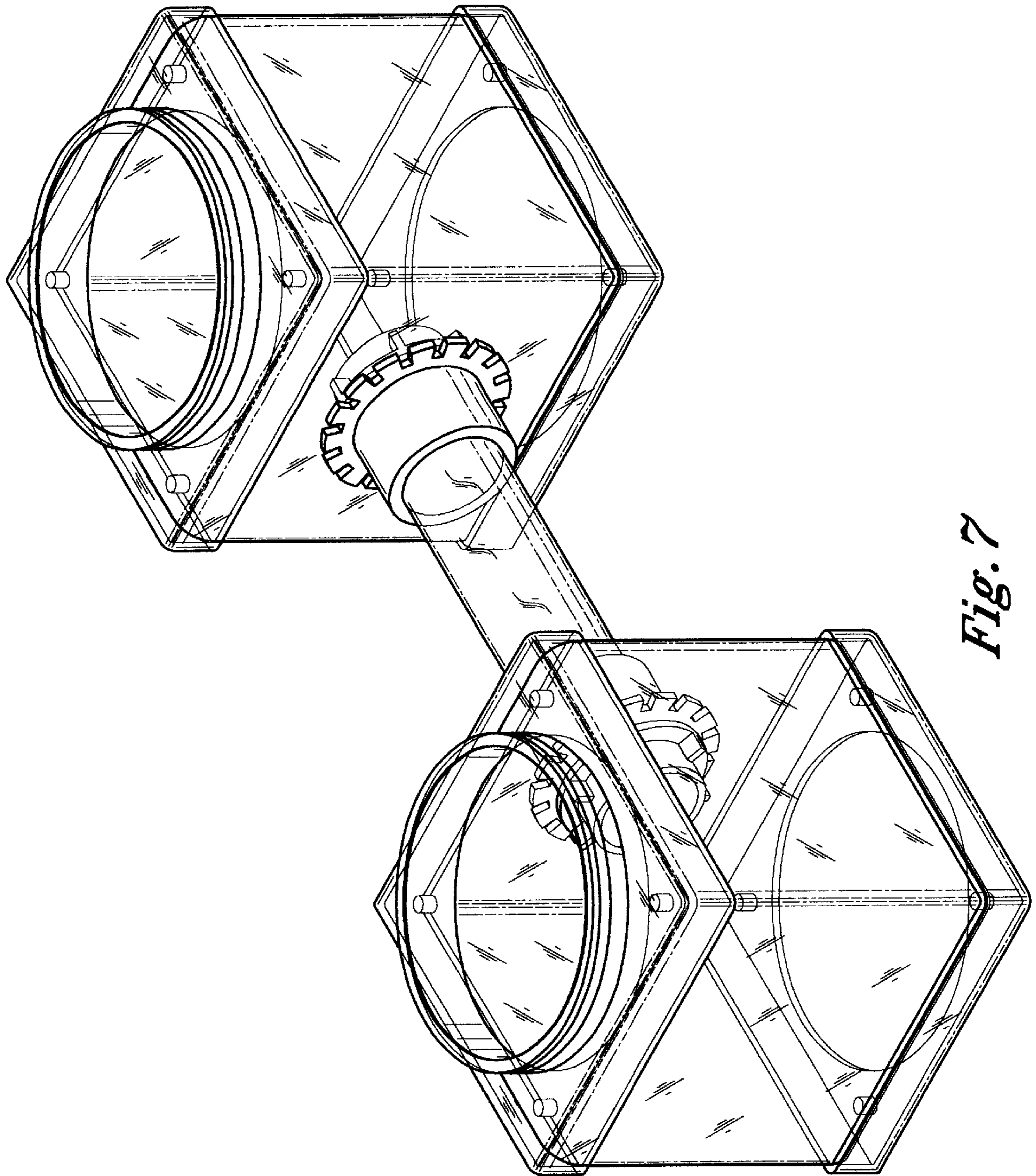


Fig. 7

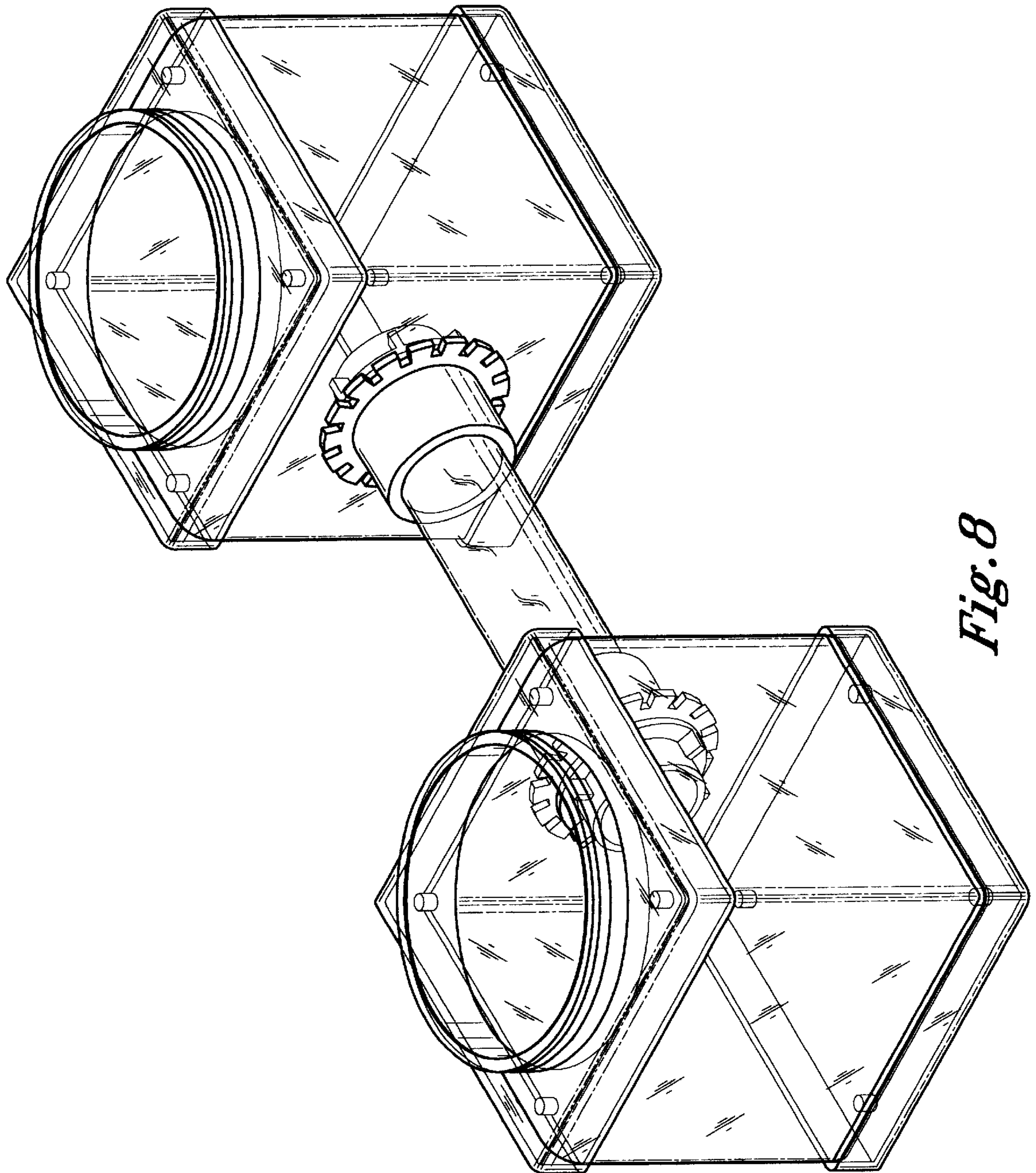


Fig. 8