



US00D443949S

(12) **United States Design Patent**  
**DiMonte**

(10) **Patent No.:** **US D443,949 S**

(45) **Date of Patent:** **\*\* Jun. 19, 2001**

(54) **LIGHTING FIXTURE DIE-CAST CORNER**

5,297,011 \* 3/1994 Triunfol ..... 362/147

(75) Inventor: **Eugene L. DiMonte**, Aurora, IL (US)

\* cited by examiner

(73) Assignee: **Focal Point, LLC**, Chicago, IL (US)

*Primary Examiner*—Susan J. Lucas

*Assistant Examiner*—Linda Brooks

(\*\*) Term: **14 Years**

(74) *Attorney, Agent, or Firm*—Banner & Witcoff, Ltd.

(21) Appl. No.: **29/105,480**

(57) **CLAIM**

(22) Filed: **May 26, 1999**

The ornamental design for a lighting fixture die-cast corner, as shown and described.

(51) **LOC (7) Cl.** ..... **26-99**

**DESCRIPTION**

(52) **U.S. Cl.** ..... **D26/155**

(58) **Field of Search** ..... D26/76, 77, 72,  
D26/85-93, 118, 128-138, 141, 142, 152-155,  
113; 362/31, 147, 151, 146, 217, 32, 223;  
D8/323, 349, 373, 382; 248/220.1, 300

FIG. 1 is an isometric view of a lighting fixture die-cast corner, showing my new design;

FIG. 2 is a front elevational view thereof;

FIG. 3 is a side elevational view thereof;

FIG. 4 is a bottom plan view thereof; and,

FIG. 5 is an isometric view of a die-cast corner on a reduced scale in a lighting fixture. The broken line showing of other parts of a lighting fixture is for illustrative purposes only and forms no part of the design.

(56) **References Cited**

**U.S. PATENT DOCUMENTS**

- D. 369,426 \* 4/1996 Sonneman ..... D26/76
- D. 383,560 \* 9/1997 Palmer ..... D26/72
- 5,057,980 \* 10/1991 Russell ..... 362/147

**1 Claim, 3 Drawing Sheets**

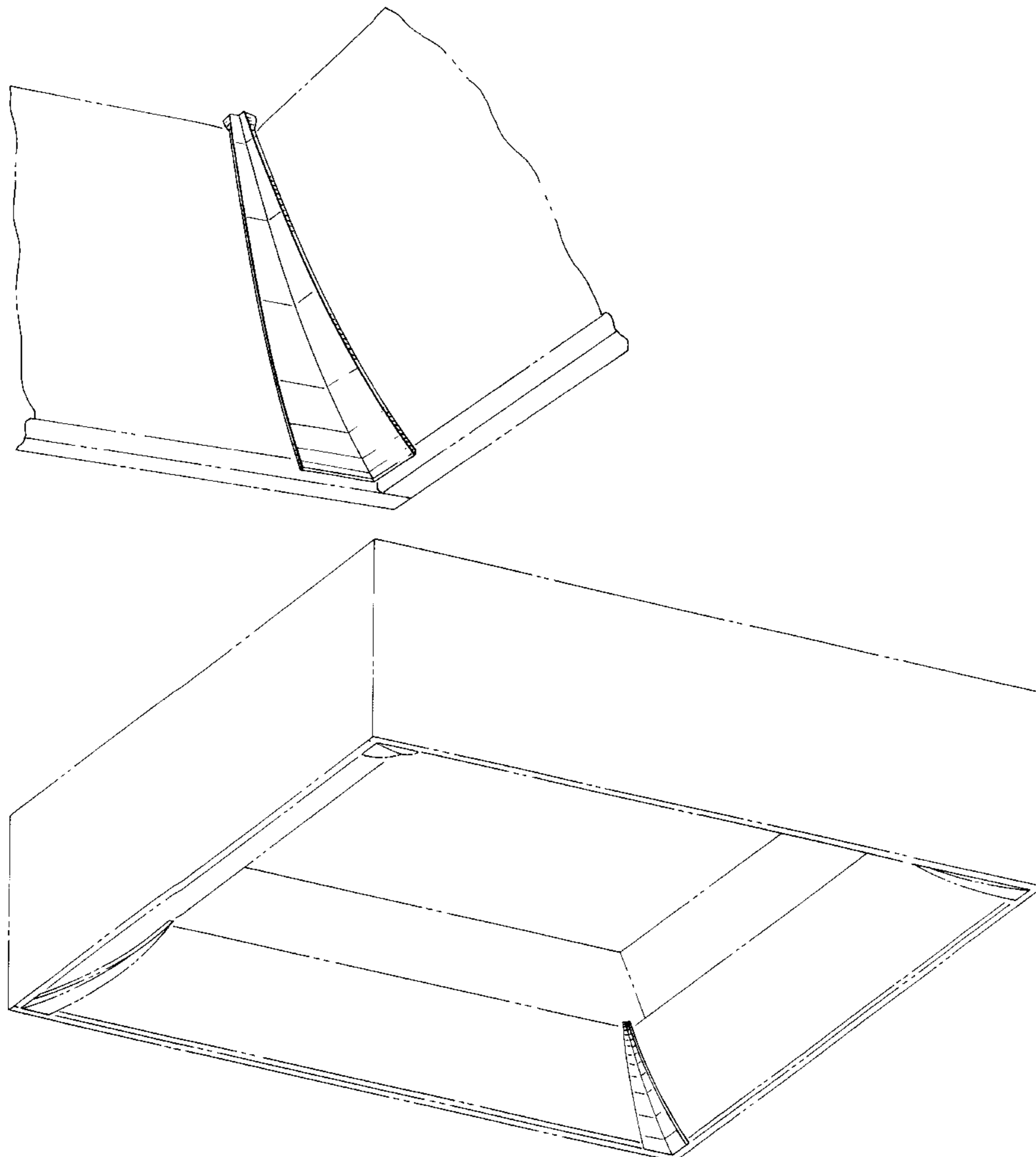


FIG. 1

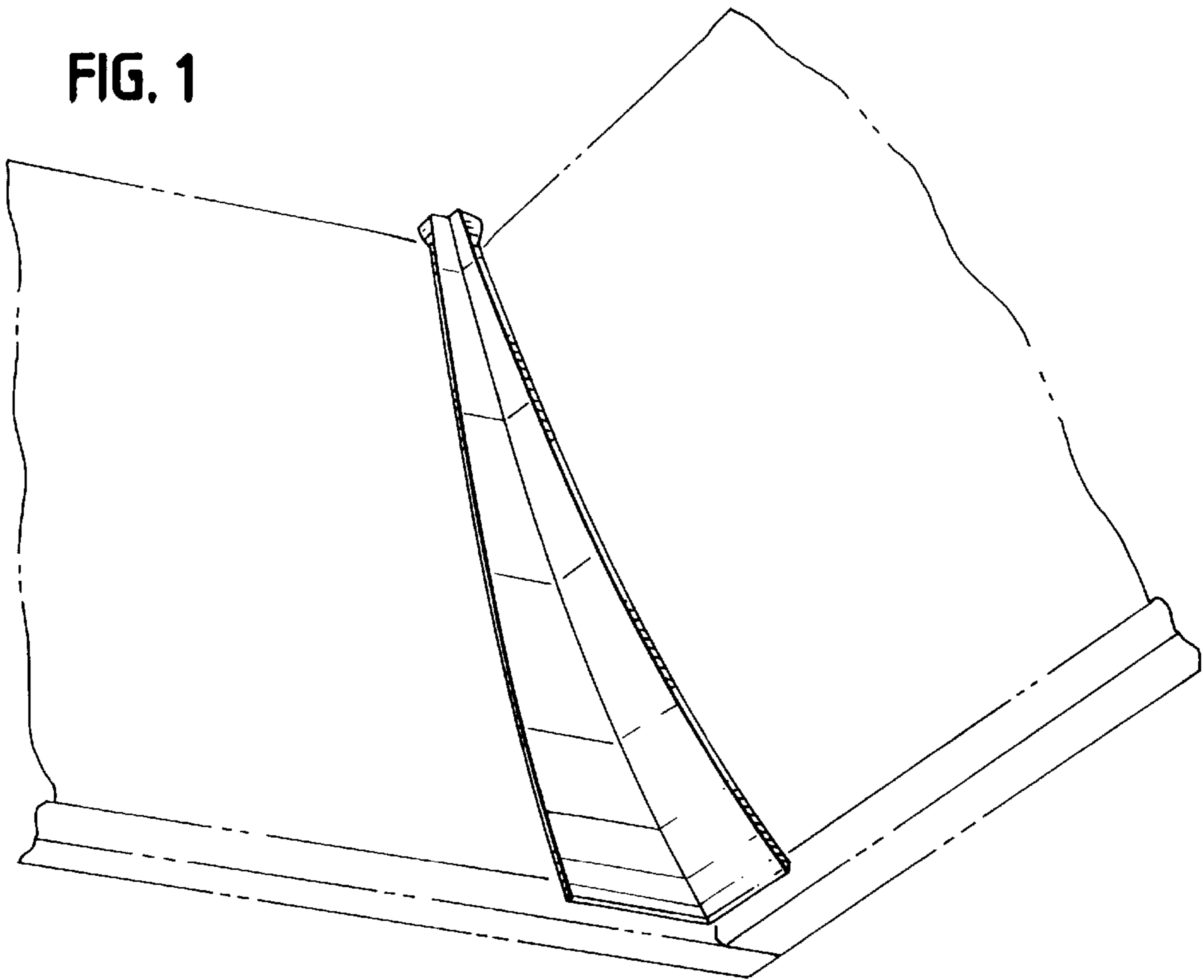
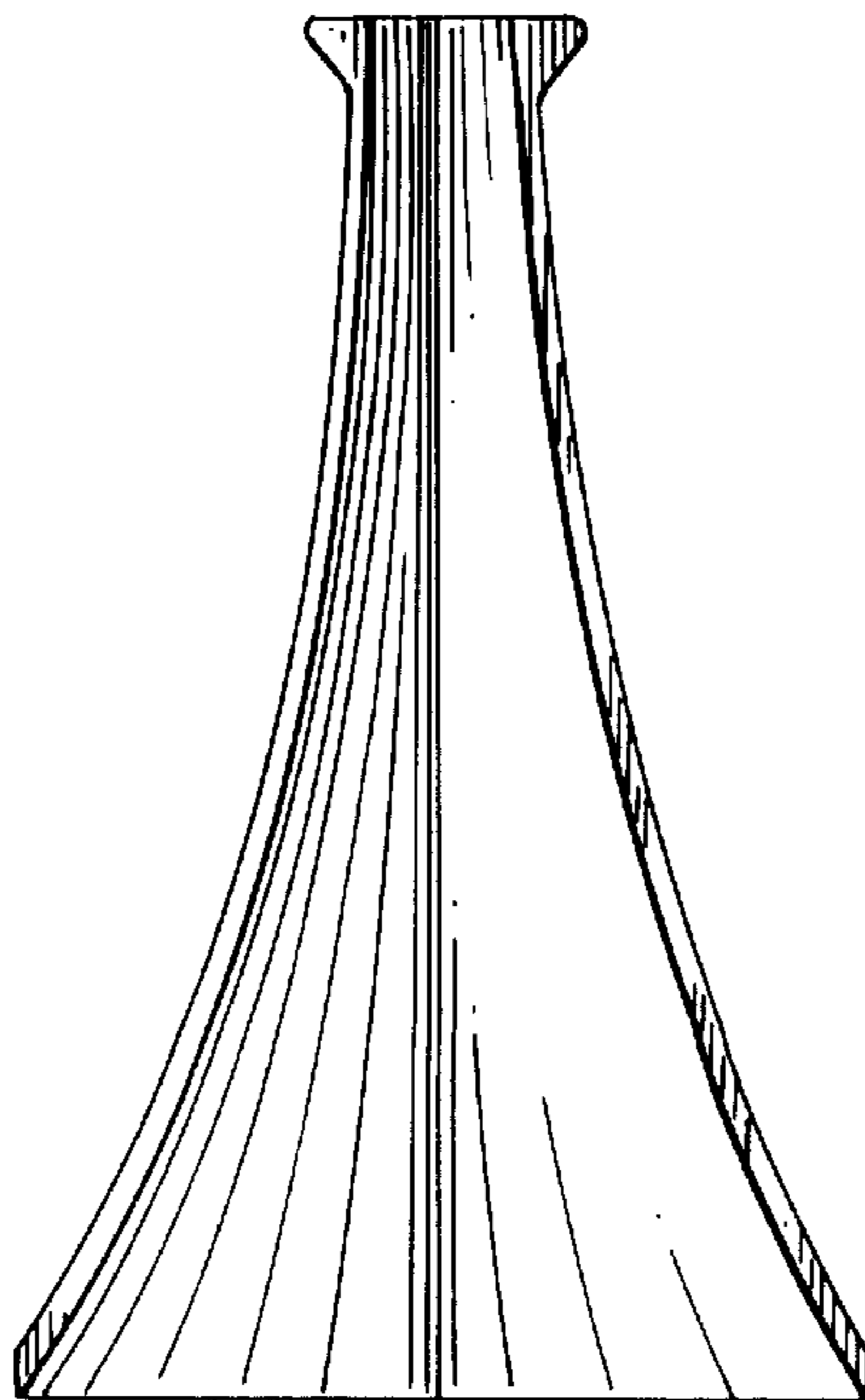


FIG. 2



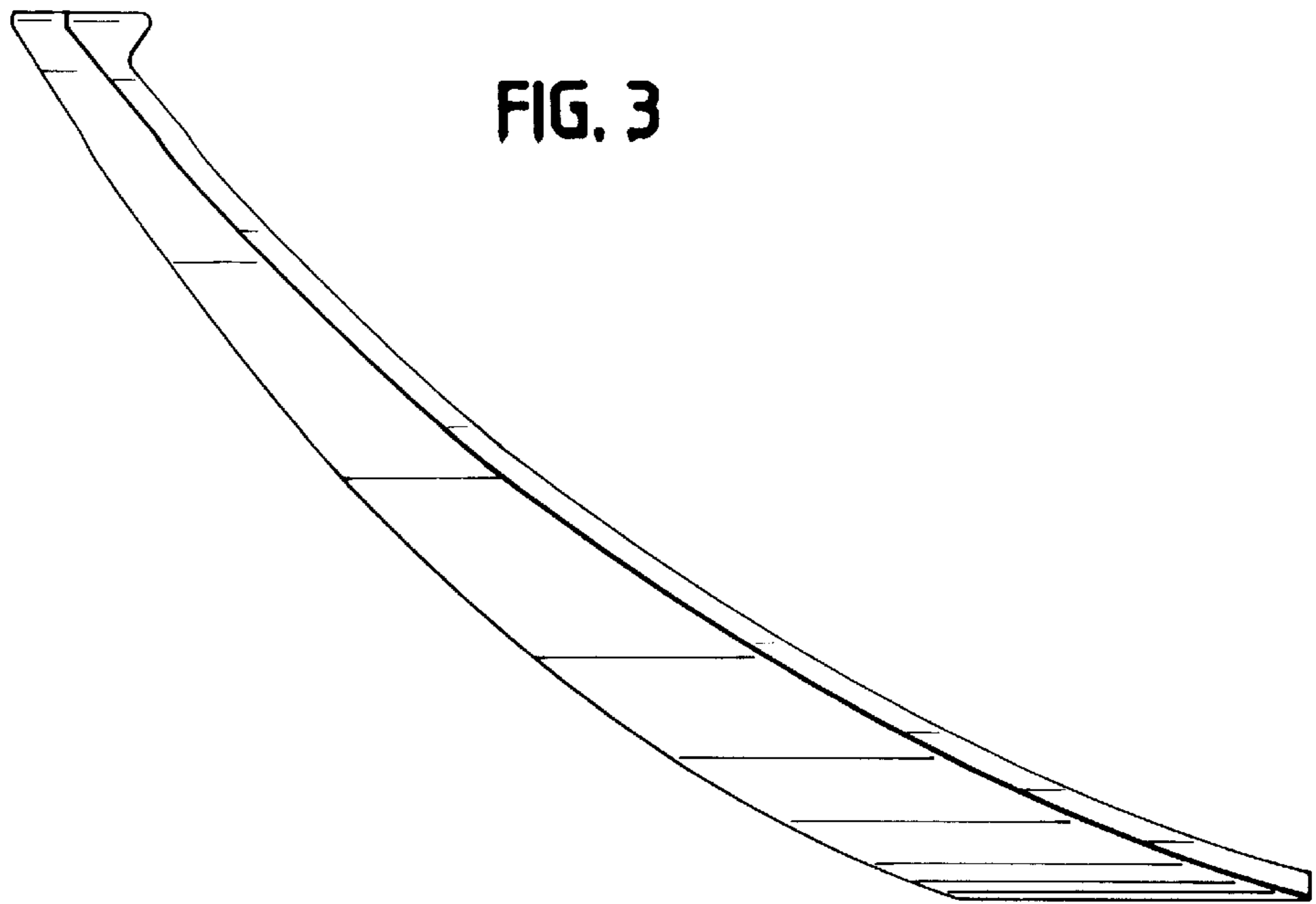


FIG. 3

FIG. 4

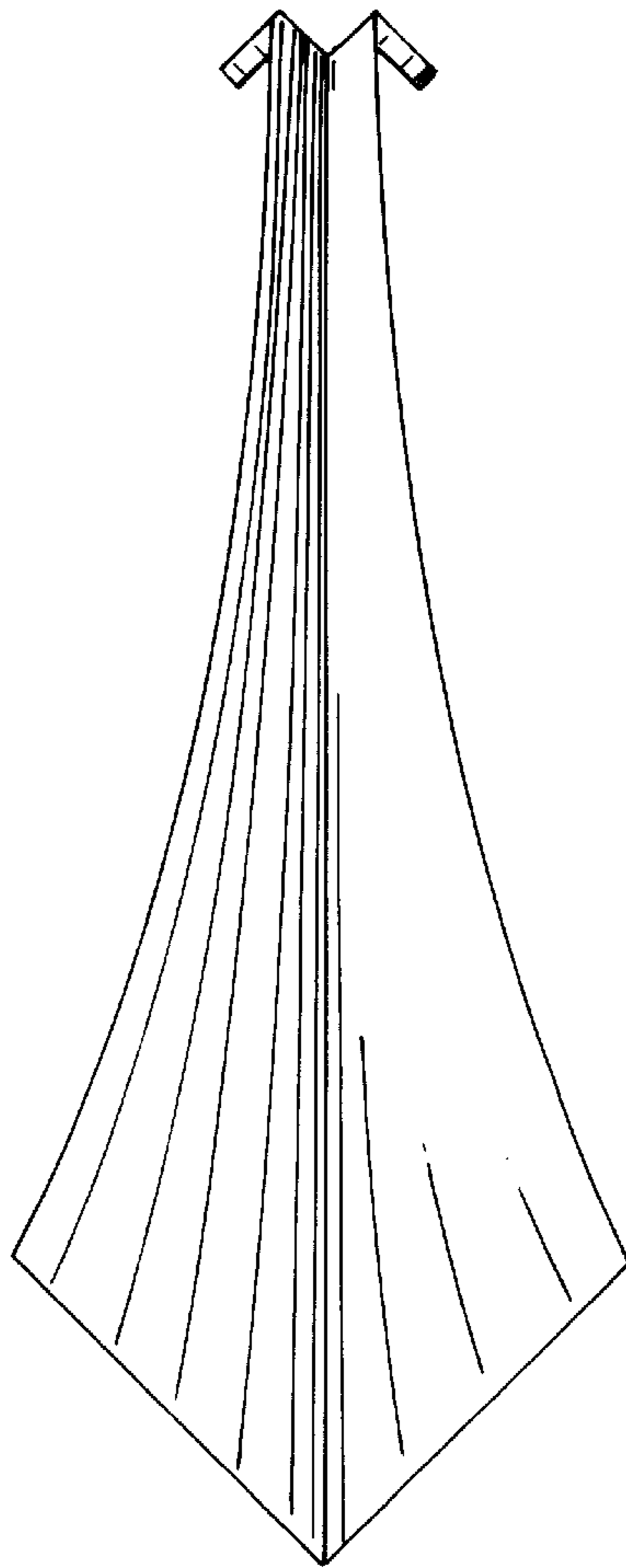


FIG. 5

