



US00D443942S

(12) **United States Design Patent**
Dye et al.

(10) **Patent No.:** **US D443,942 S**

(45) **Date of Patent:** **** Jun. 19, 2001**

(54) **AREA LIGHTING FIXTURE**

(75) Inventors: **G. Frank Dye**, Fletcher; **Samuel L. Baldwin**, Hendersonville, both of NC (US)

(73) Assignee: **General Electric Company**, Schenectady, NY (US)

(**) Term: **14 Years**

(21) Appl. No.: **29/133,922**

(22) Filed: **Dec. 11, 2000**

(51) **LOC (7) Cl.** **26-05**

(52) **U.S. Cl.** **D26/72**

(58) **Field of Search** D26/72-92, 67, D26/68; 362/147, 363, 368, 367, 404-408, 431

(56) **References Cited**

U.S. PATENT DOCUMENTS

- D. 211,820 * 7/1968 Pattengill D26/72
- D. 432,700 * 10/2000 Avila et al. D26/87

OTHER PUBLICATIONS

Elliptipar® inc. catalog, 1986, OSRam Advantage halide lamp.*

* cited by examiner

Primary Examiner—Susan J. Lucas

(74) *Attorney, Agent, or Firm*—Carter & Schnedler, P.A.

(57) **CLAIM**

The ornamental design for an area lighting fixture, as shown.

DESCRIPTION

FIG. 1 is a three-dimensional view, generally from the top right front, of an area lighting fixture, showing our new design;

FIG. 2 is a top plan view thereof;

FIG. 3 is a bottom plan view thereof;

FIG. 4 is a front elevational view thereof;

FIG. 5 is a rear elevational view thereof;

FIG. 6 is a right side elevational view thereof;

FIG. 7 is a left side elevational view thereof;

FIG. 8 is a three dimensional view, generally from the top right front, of a second embodiment of our new design;

FIG. 9 is a top plan view thereof;

FIG. 10 is a bottom plan view thereof;

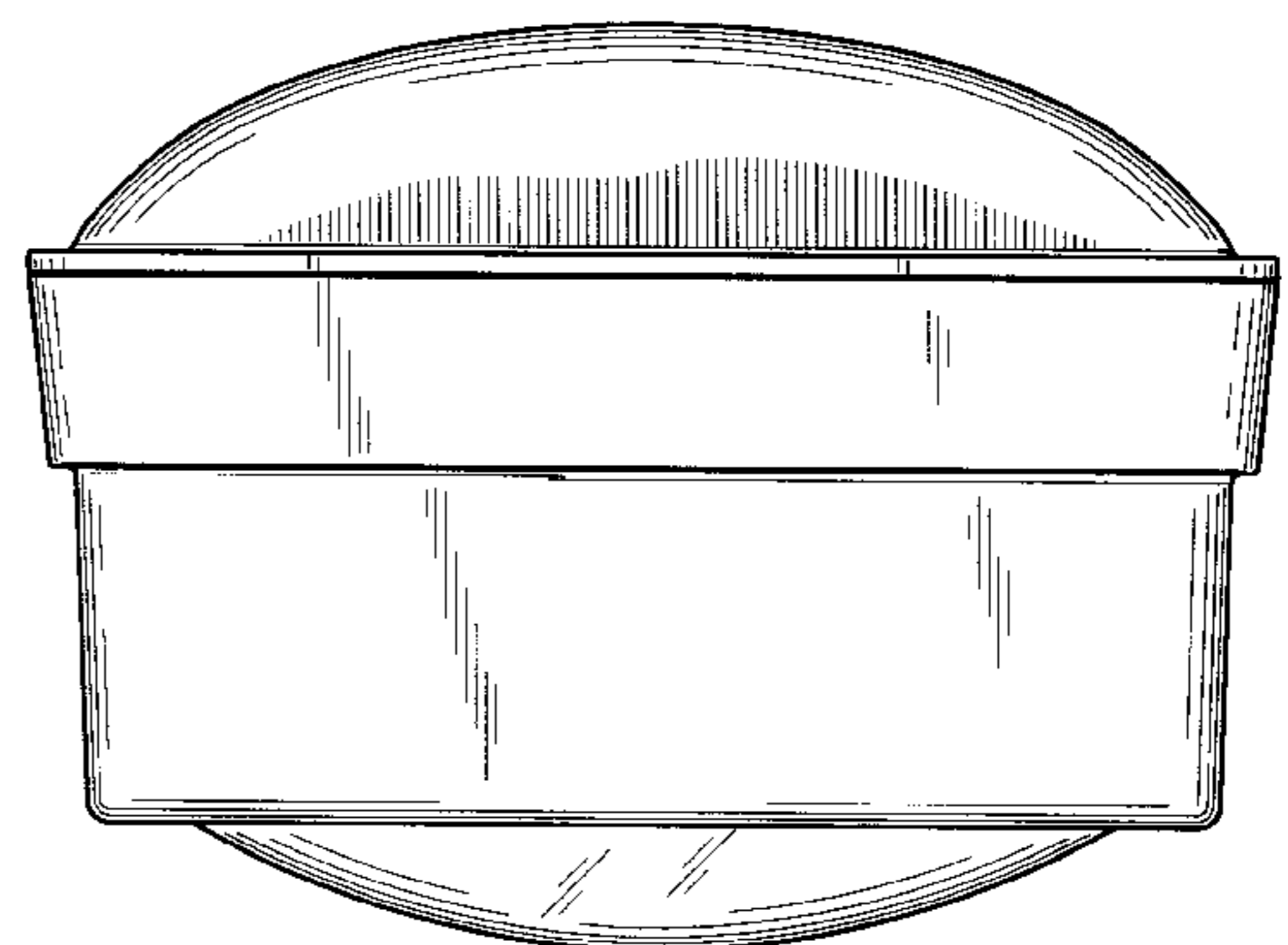
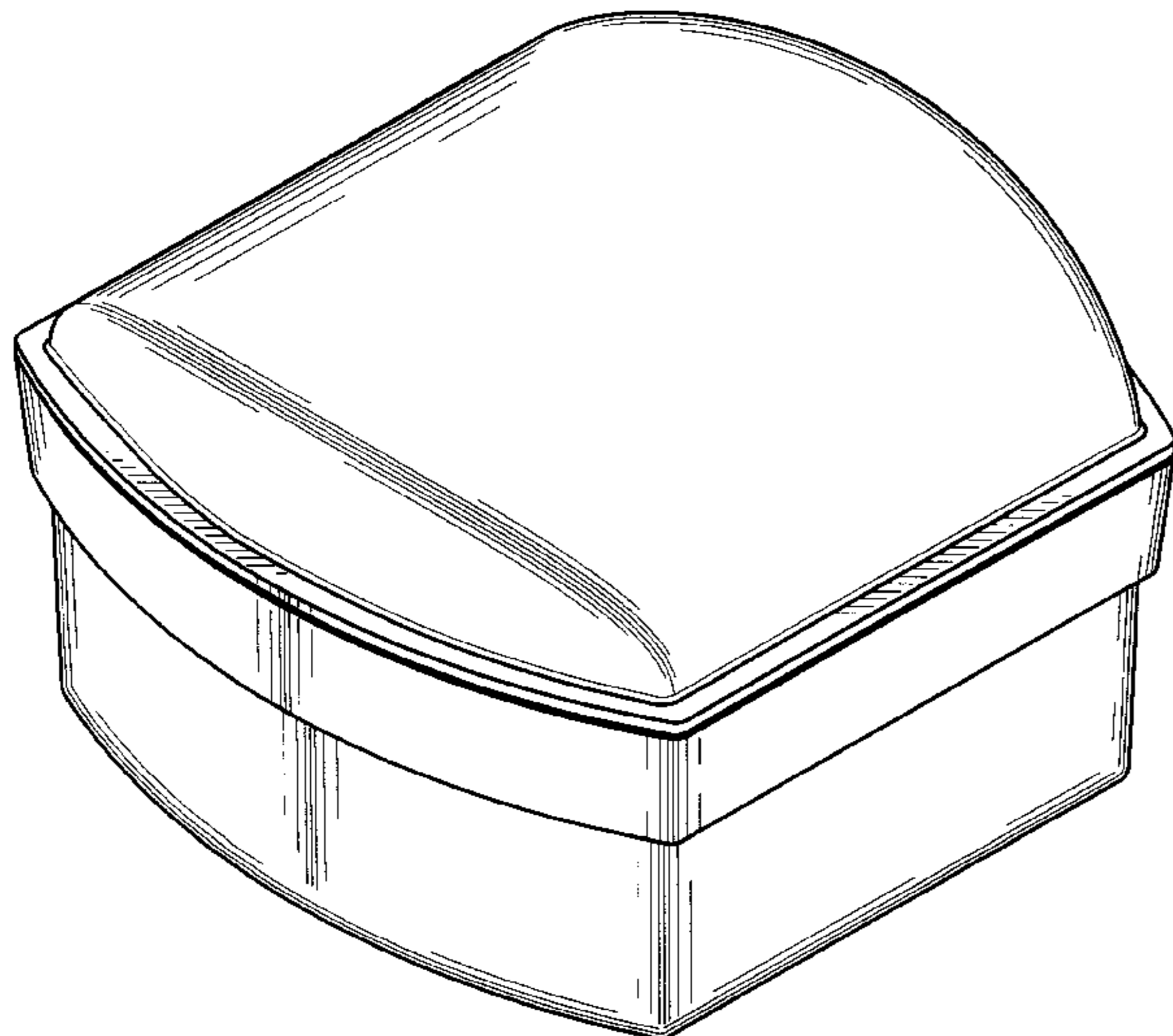
FIG. 11 is a front elevational view thereof;

FIG. 12 is a rear elevational view thereof;

FIG. 13 is a right side elevational view thereof; and,

FIG. 14 is a left side elevational view thereof.

1 Claim, 8 Drawing Sheets



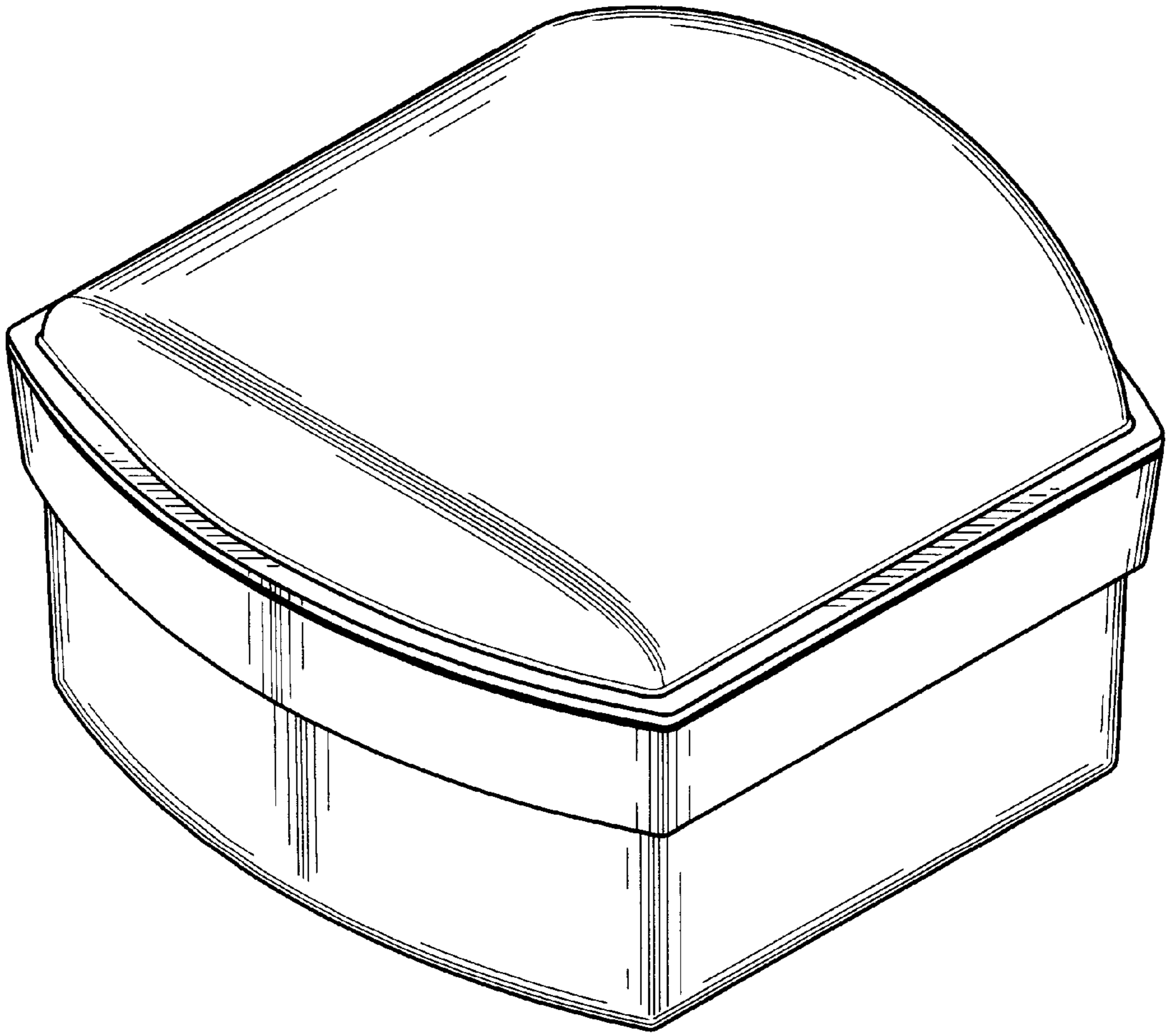


Fig. 1

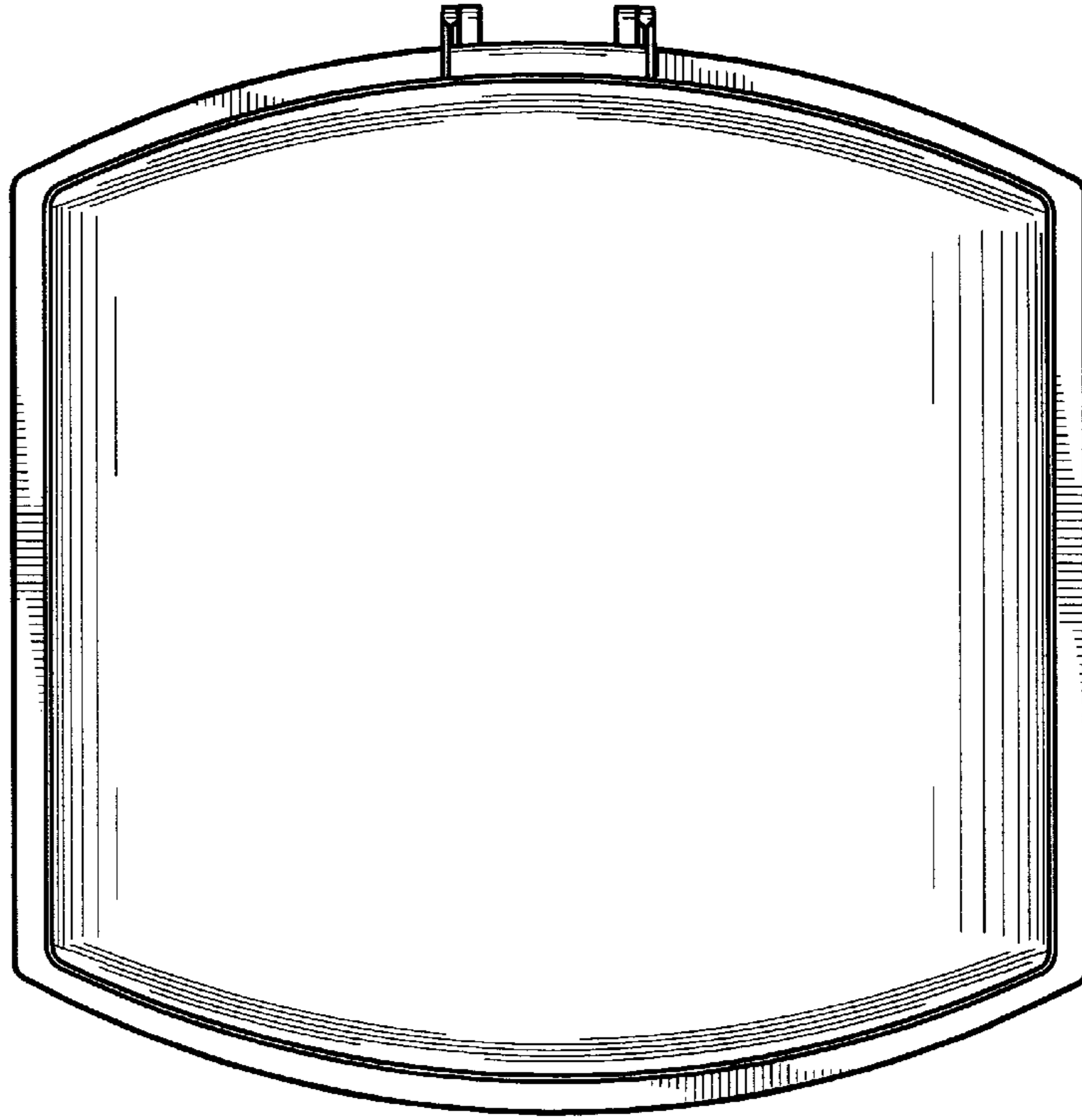


Fig. 2

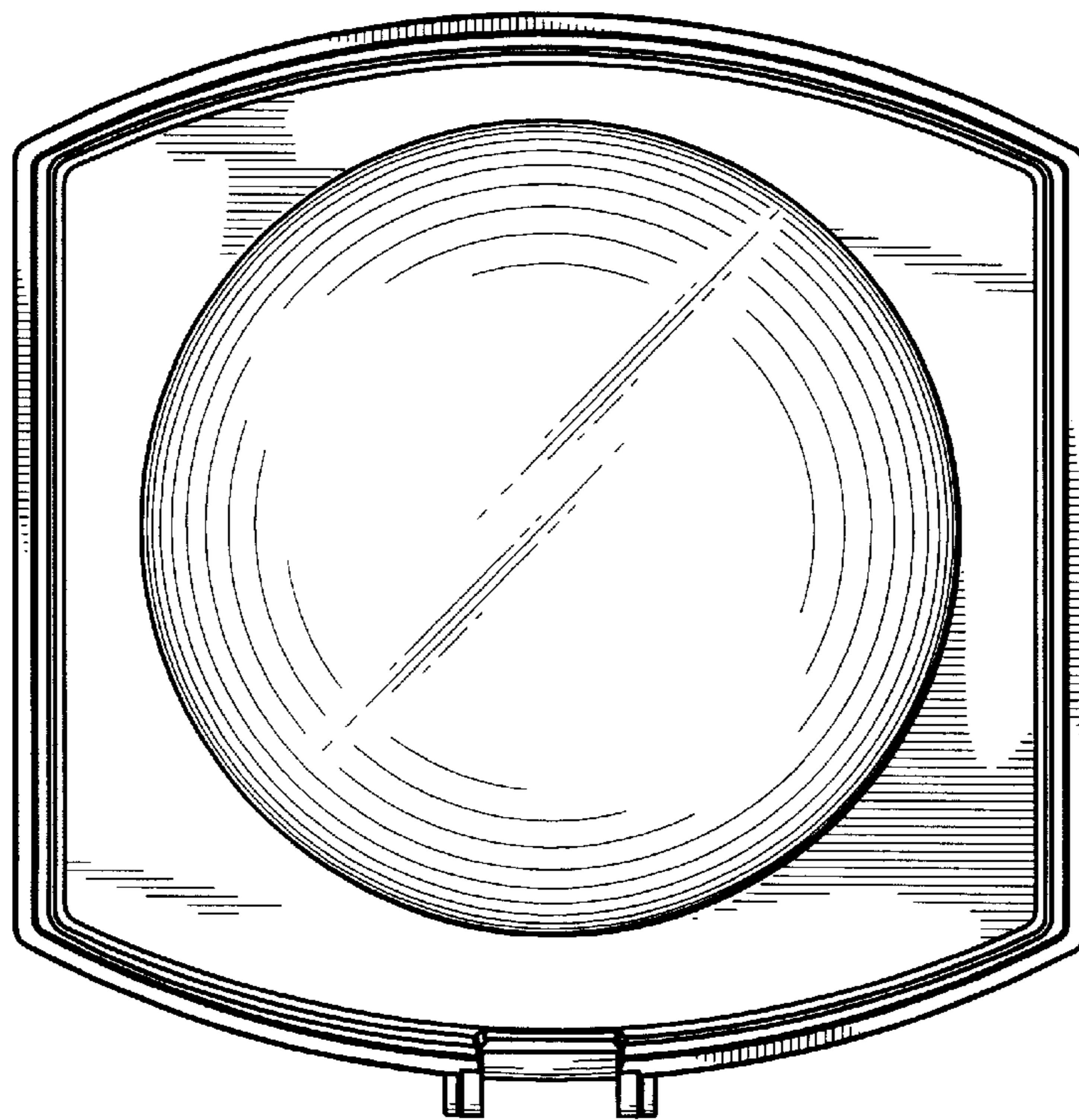


Fig. 3

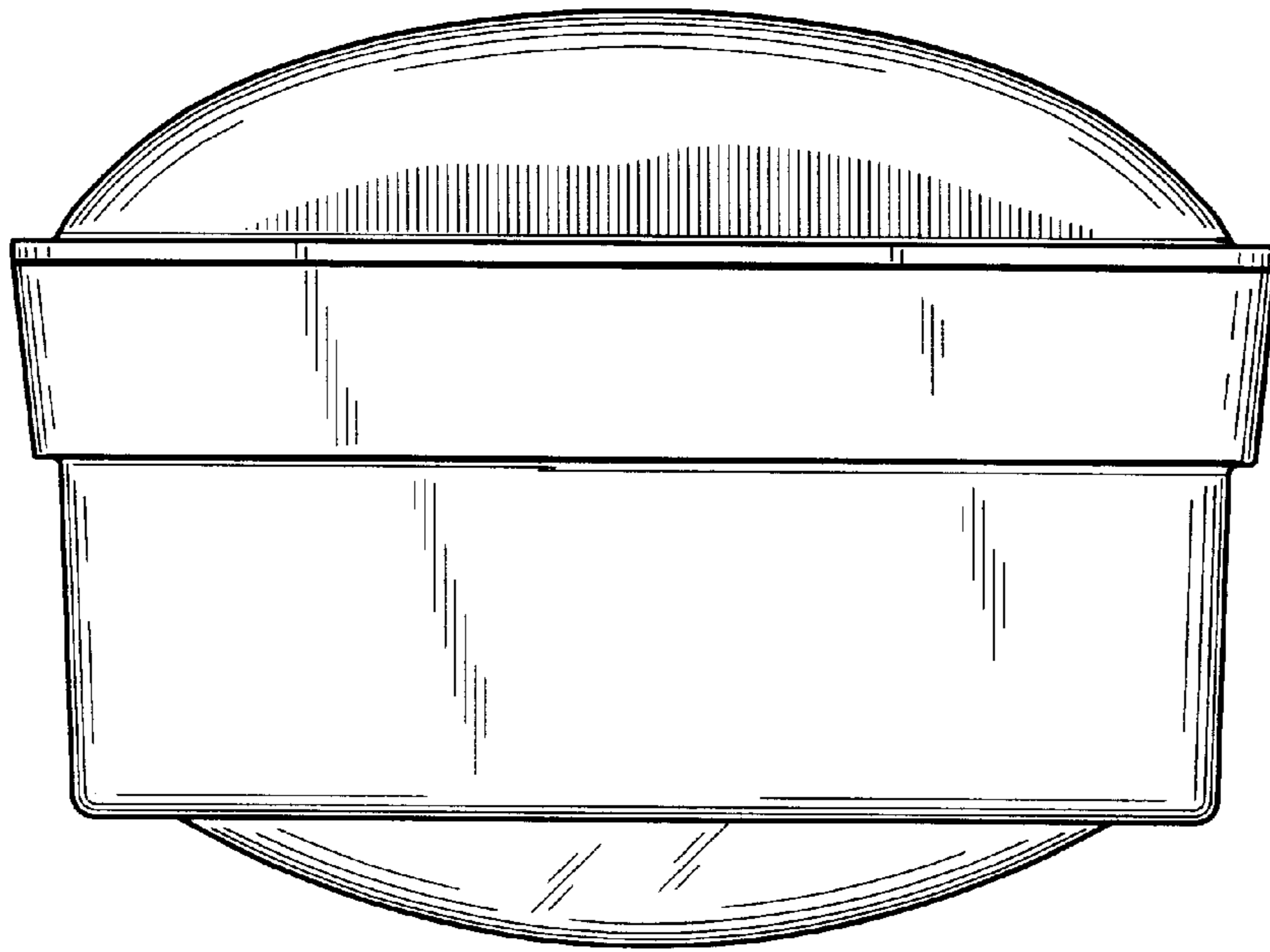


Fig. 4

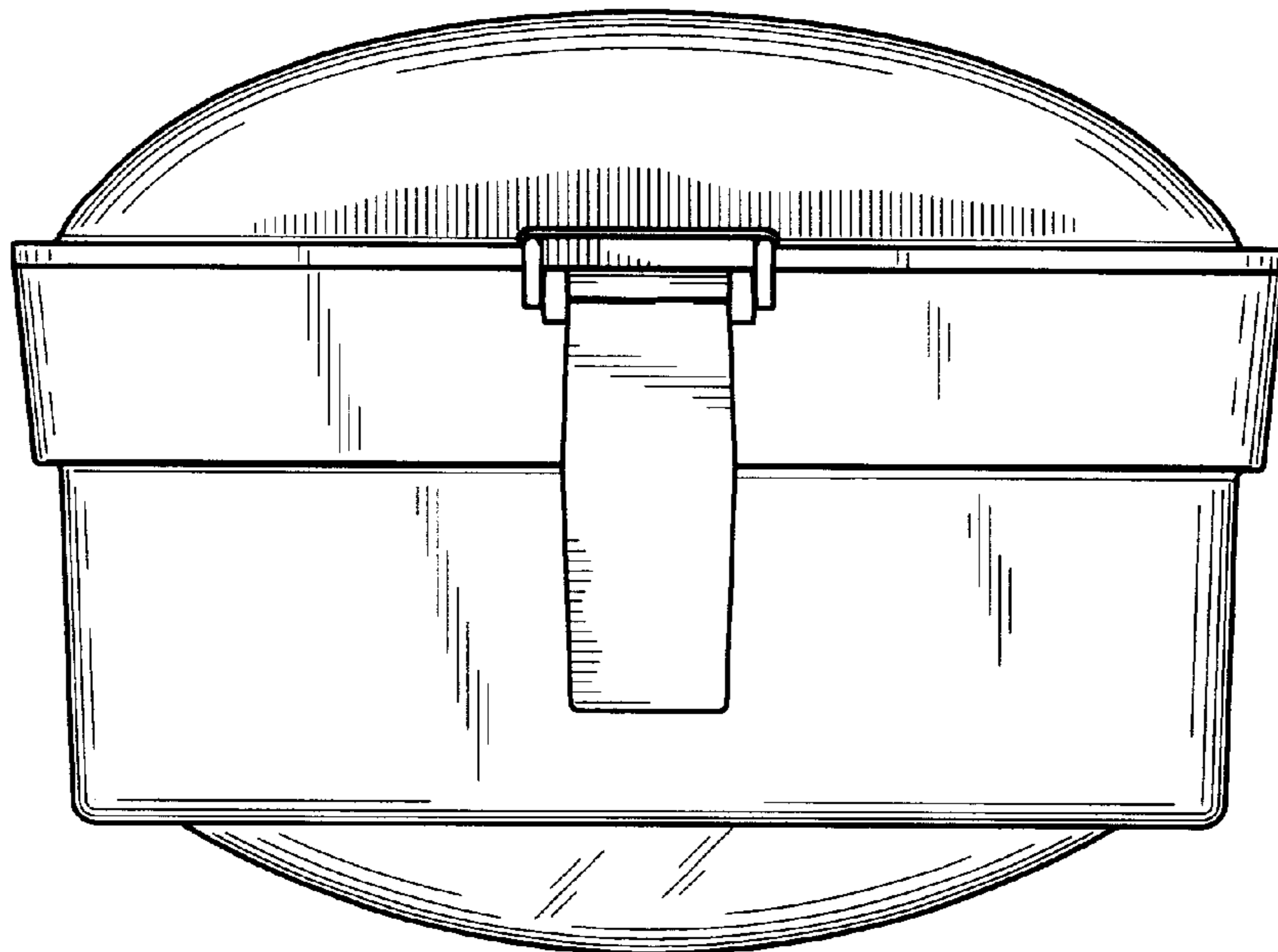


Fig. 5

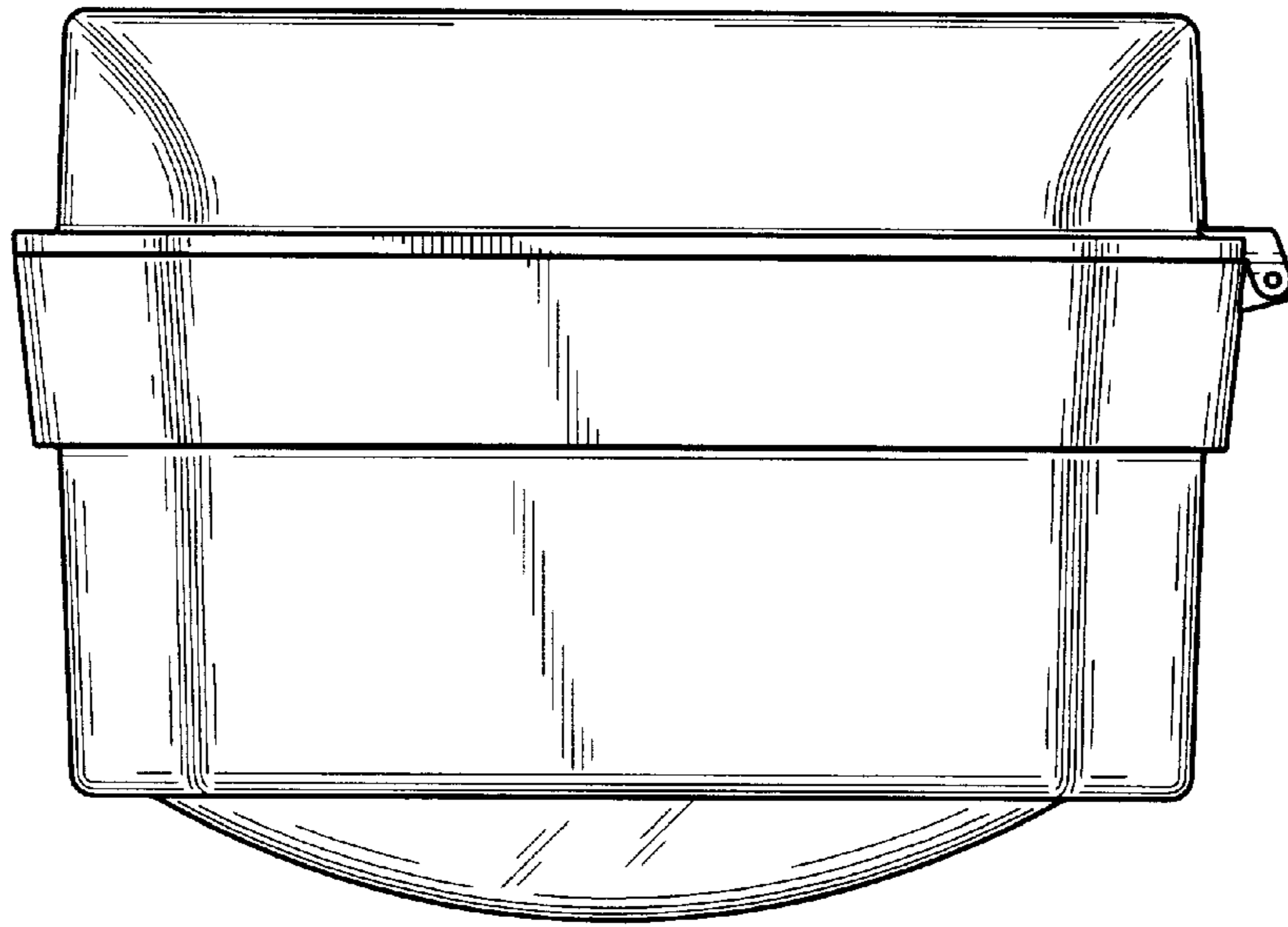


Fig. 6

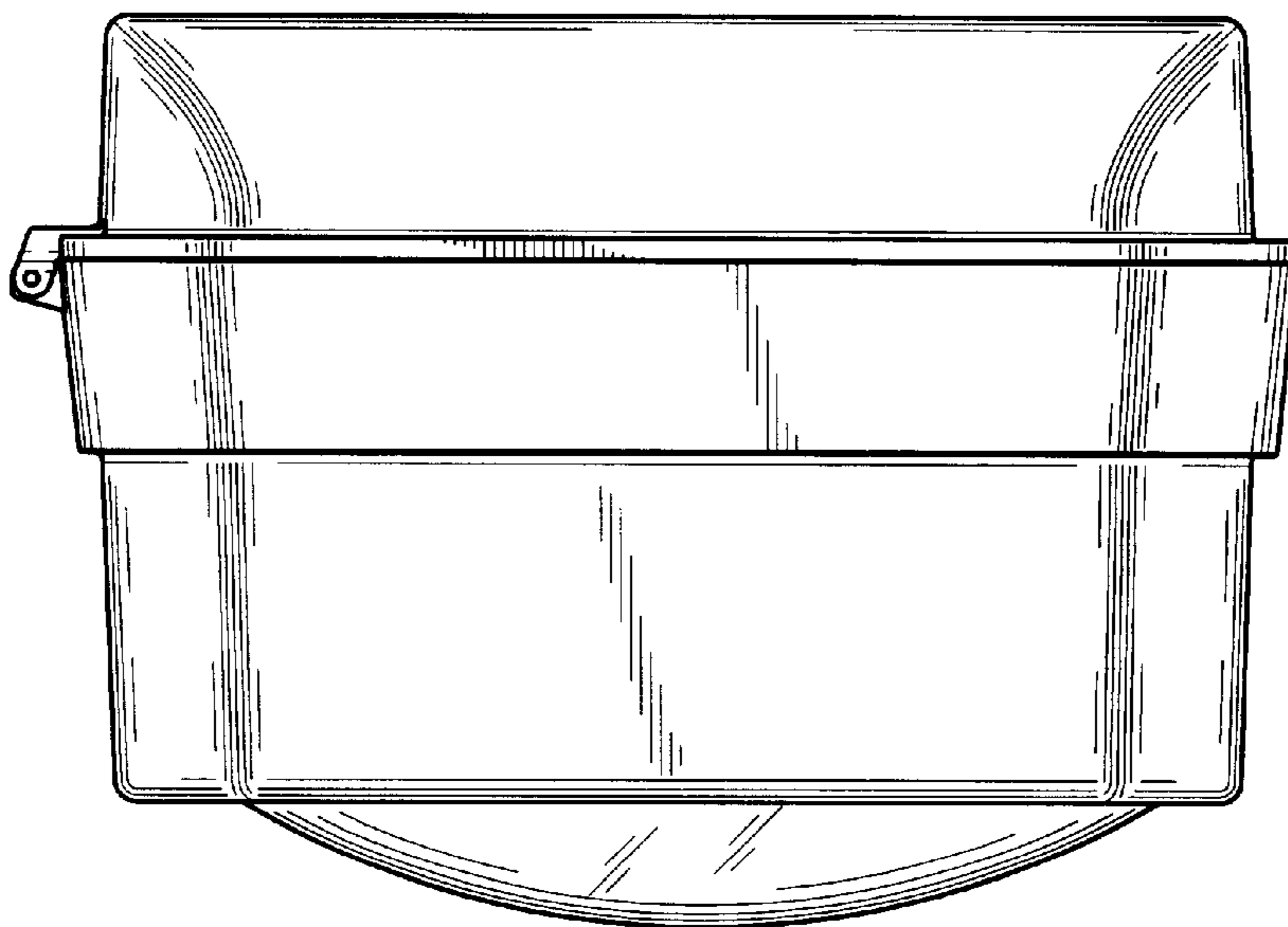


Fig. 7

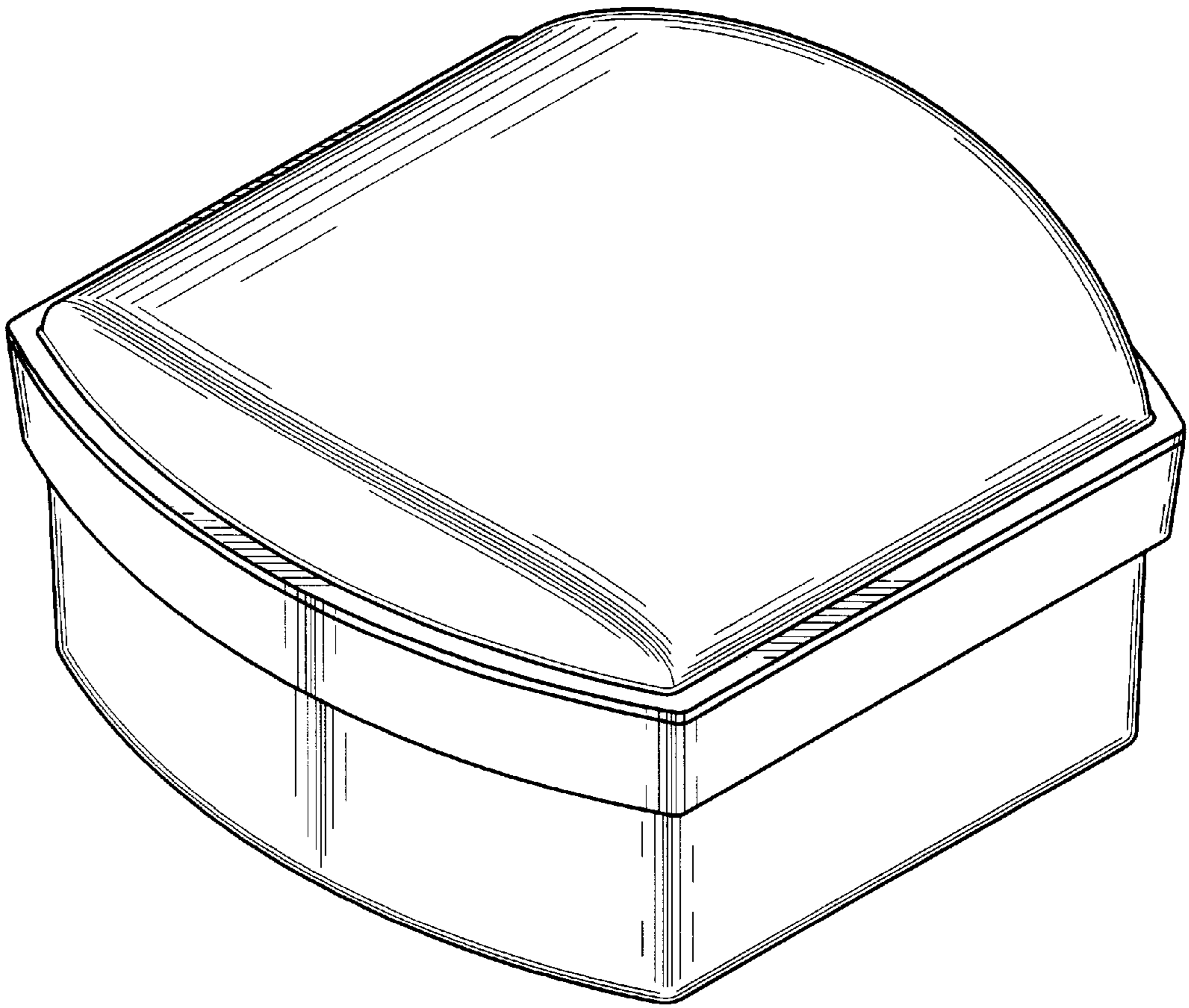


Fig. 8

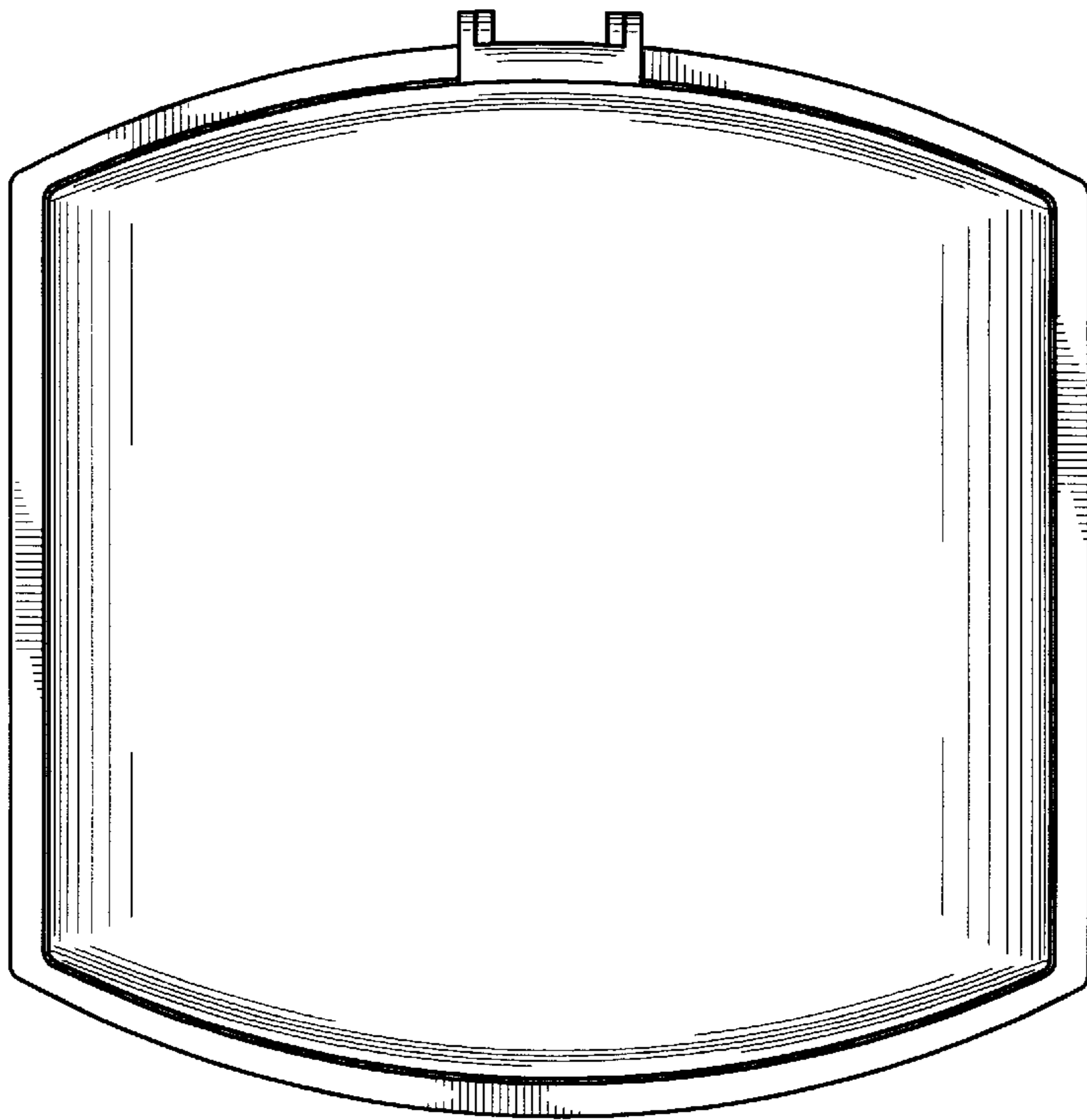


Fig. 9

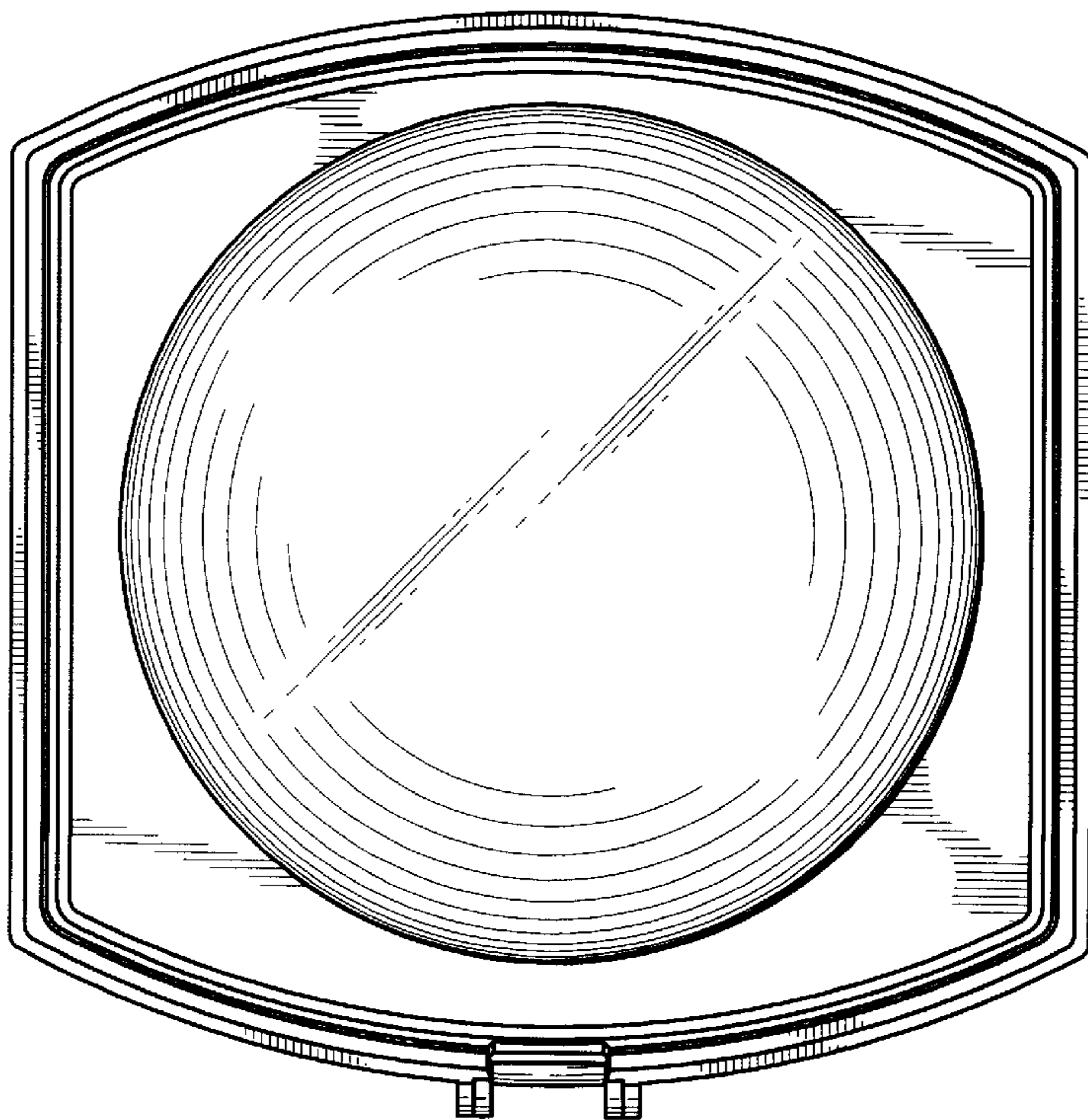


Fig. 10

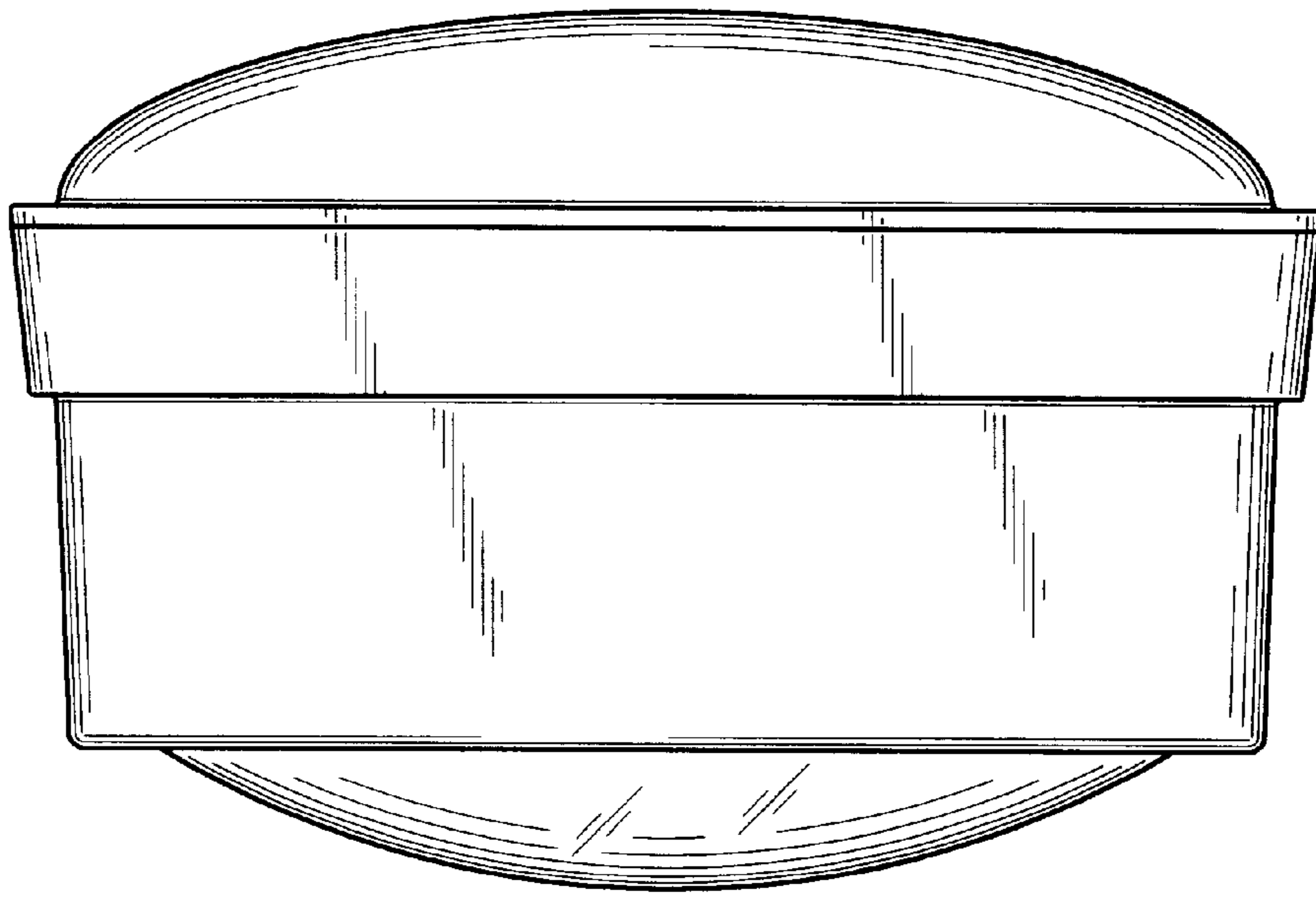


Fig. 11

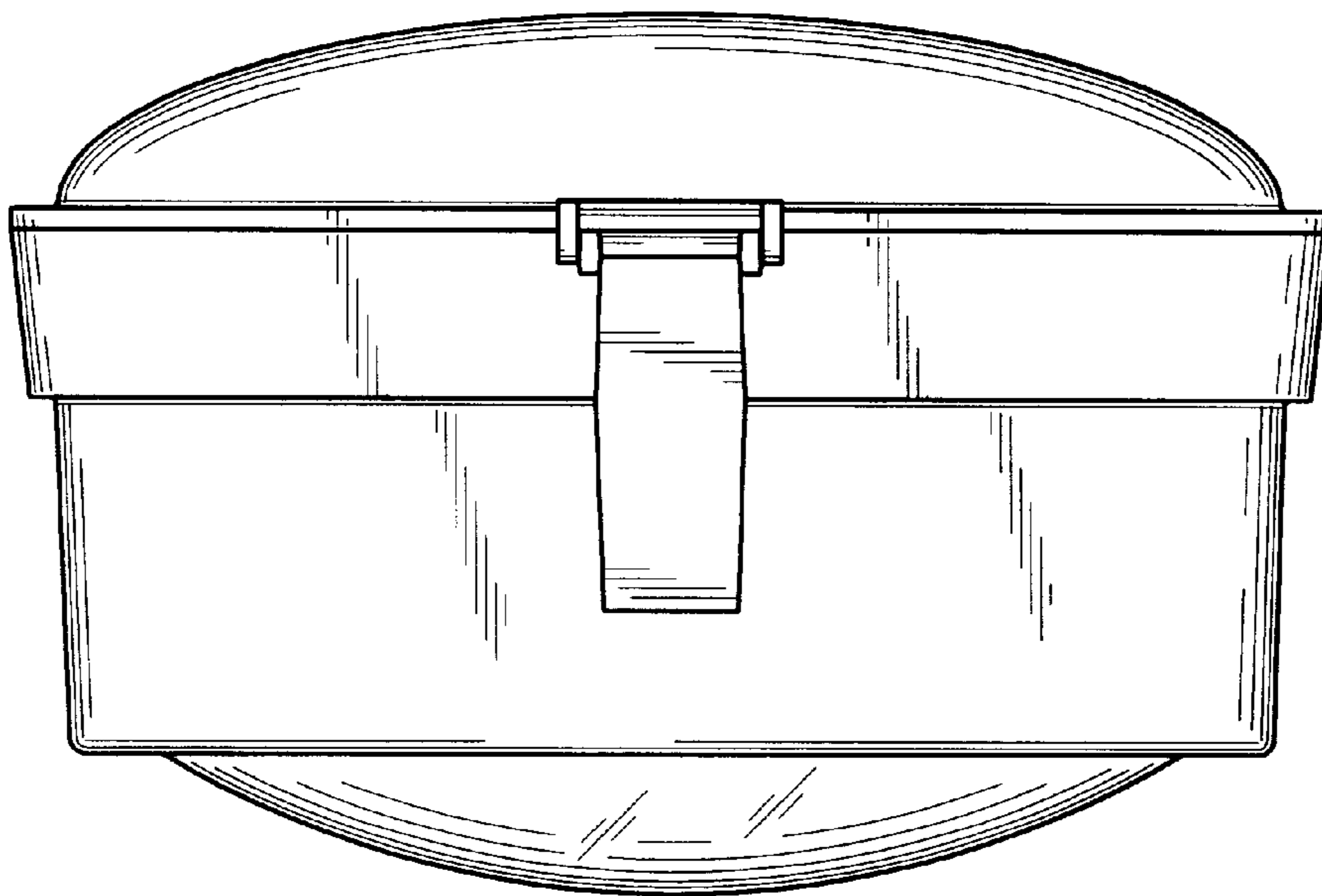


Fig. 12

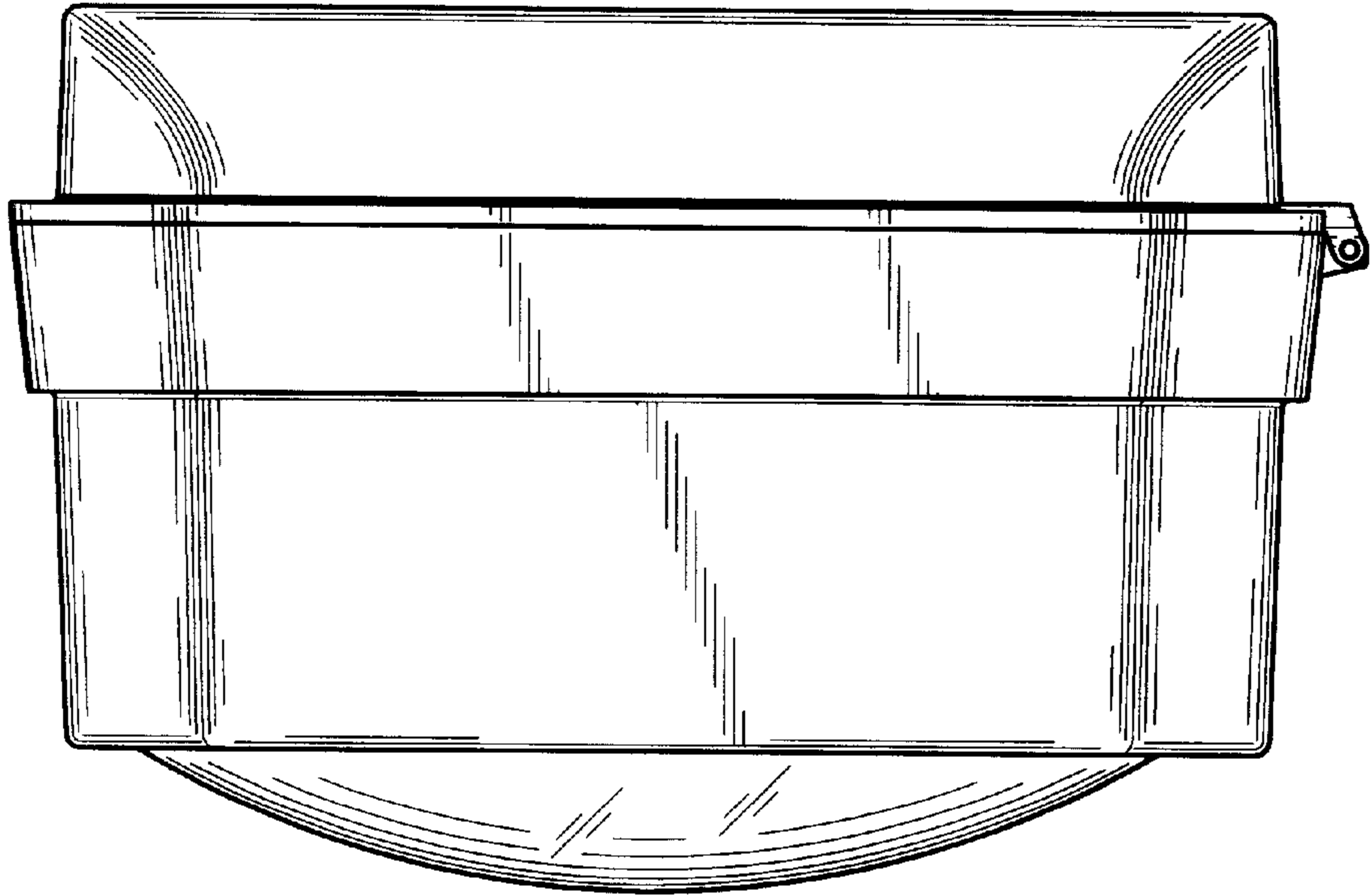


Fig. 13

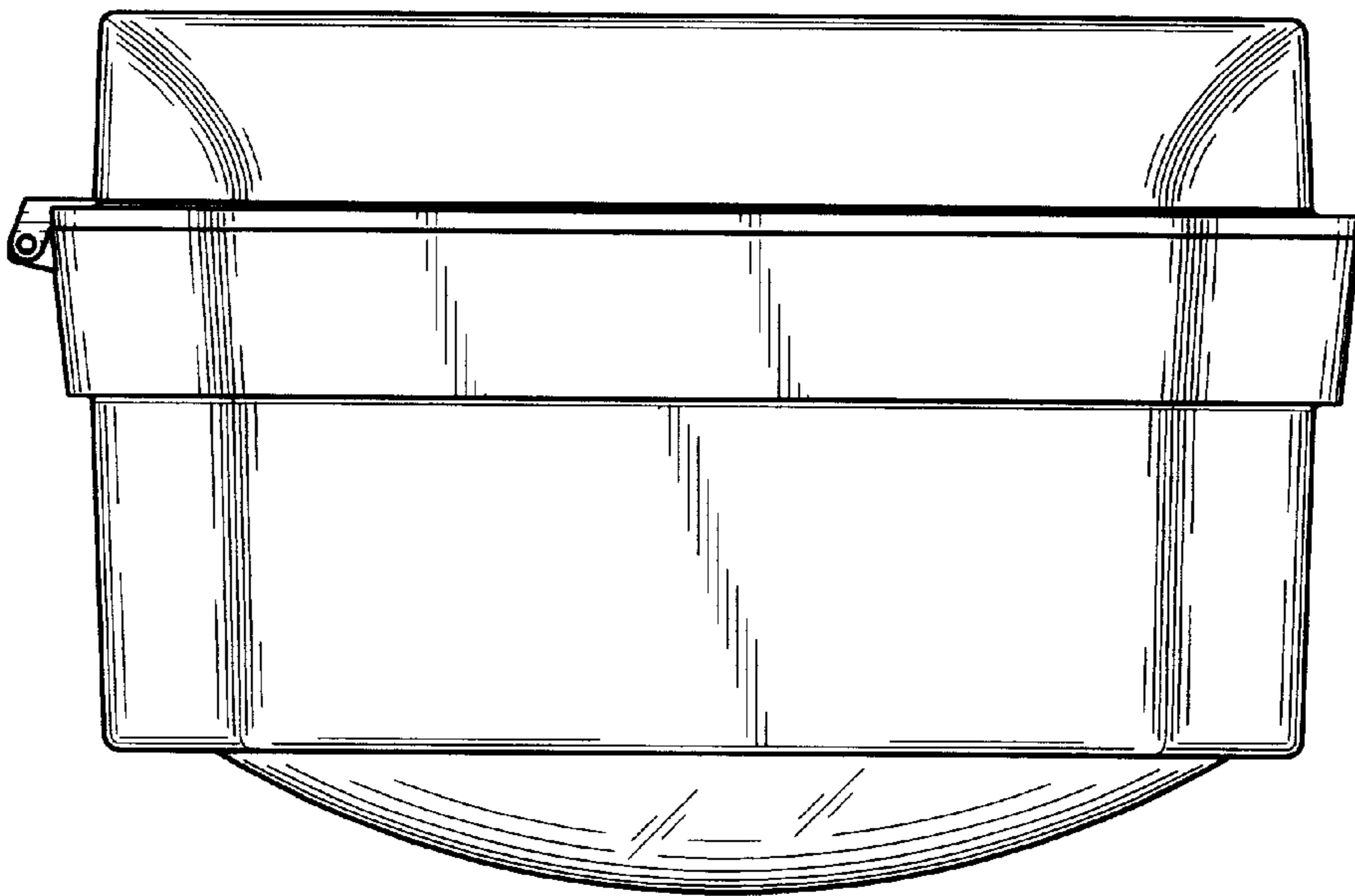


Fig. 14