



US00D443941S

(12) **United States Design Patent**
Boeckley

(10) **Patent No.:** **US D443,941 S**

(45) **Date of Patent:** **** Jun. 19, 2001**

(54) **SOLAR VIGIL LIGHT**

(75) **Inventor:** **Thomas P. Boeckley**, Pittsburgh, PA
(US)

(73) **Assignee:** **SVL, Inc.**, Pittsburgh, PA (US)

(**) **Term:** **14 Years**

(21) **Appl. No.:** **29/129,859**

(22) **Filed:** **Sep. 22, 2000**

(51) **LOC (7) Cl.** **26-05**

(52) **U.S. Cl.** **D26/67**

(58) **Field of Search** D26/51, 67-71,
D26/937, 102-112; 362/410-414, 153,
153.1, 147, 431; D99/17-24

(56) **References Cited**

U.S. PATENT DOCUMENTS

D. 309,786 * 8/1990 Chien D26/67

D. 378,435 * 3/1997 Trombley D26/68
D. 389,940 * 1/1998 Waldmann D26/76
D. 422,735 * 4/2000 Lam D26/68
D. 424,729 * 5/2000 Sonnenfeldt D26/67

* cited by examiner

Primary Examiner—Alan P. Douglas

Assistant Examiner—Linda Brooks

(74) *Attorney, Agent, or Firm*—Law Offices of K. Patrick McKay

(57) **CLAIM**

The ornamental design for a solar vigil light, as shown.

DESCRIPTION

FIG. 1 is a perspective view of a solar vigil light showing my new design;

FIG. 2 is an elevational view thereof;

FIG. 3 is a top plan view thereof; and,

FIG. 4 is a bottom plan view thereof.

1 Claim, 3 Drawing Sheets

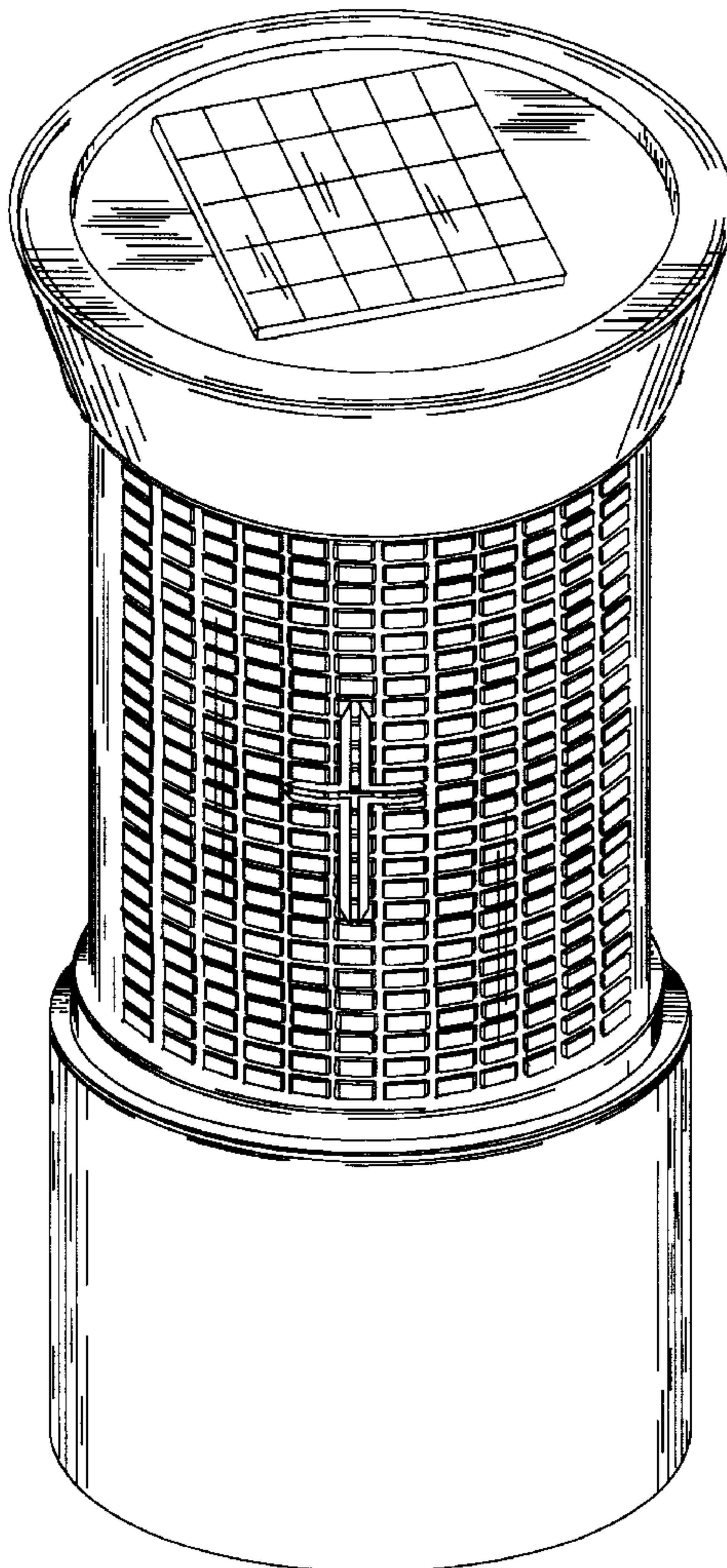


FIG. 1

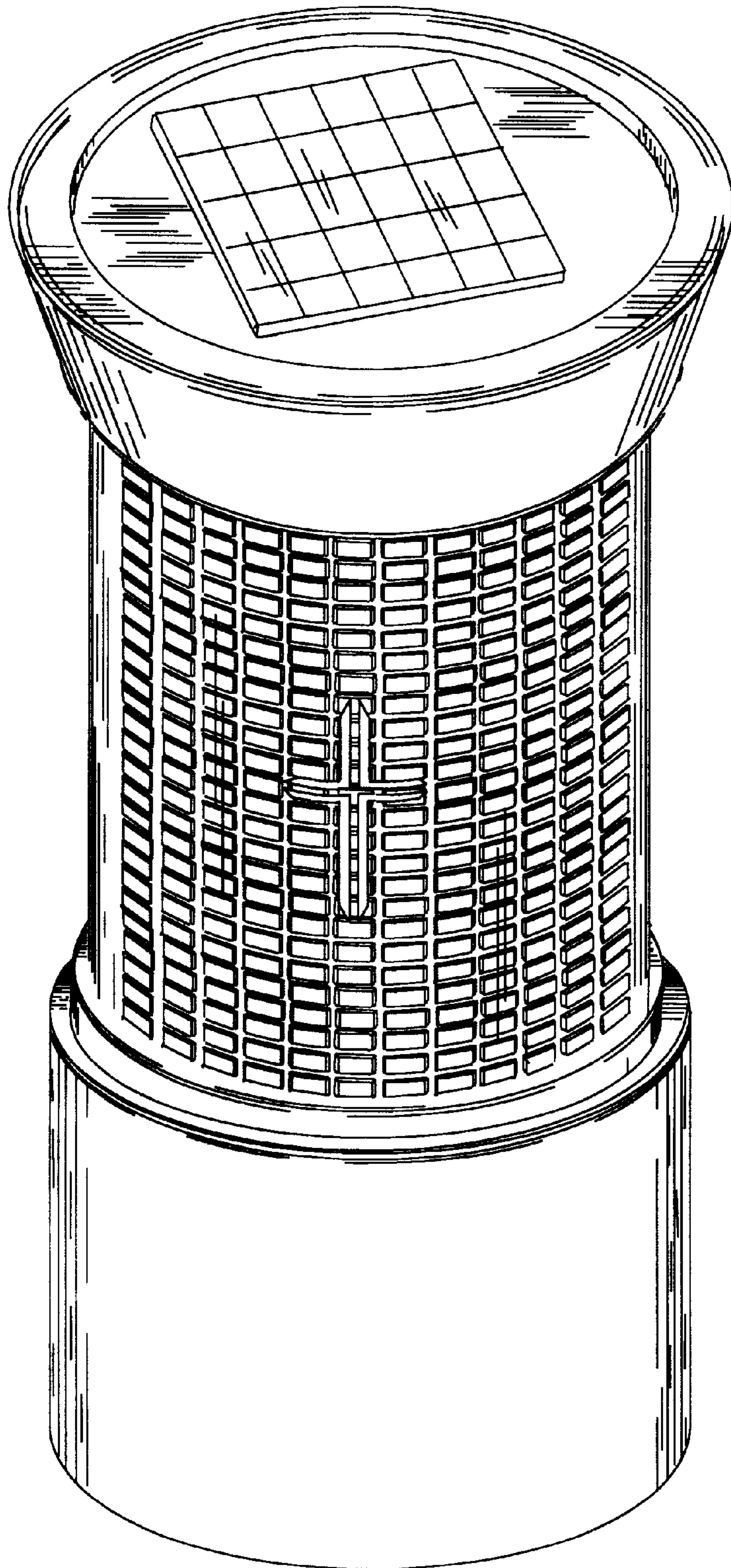
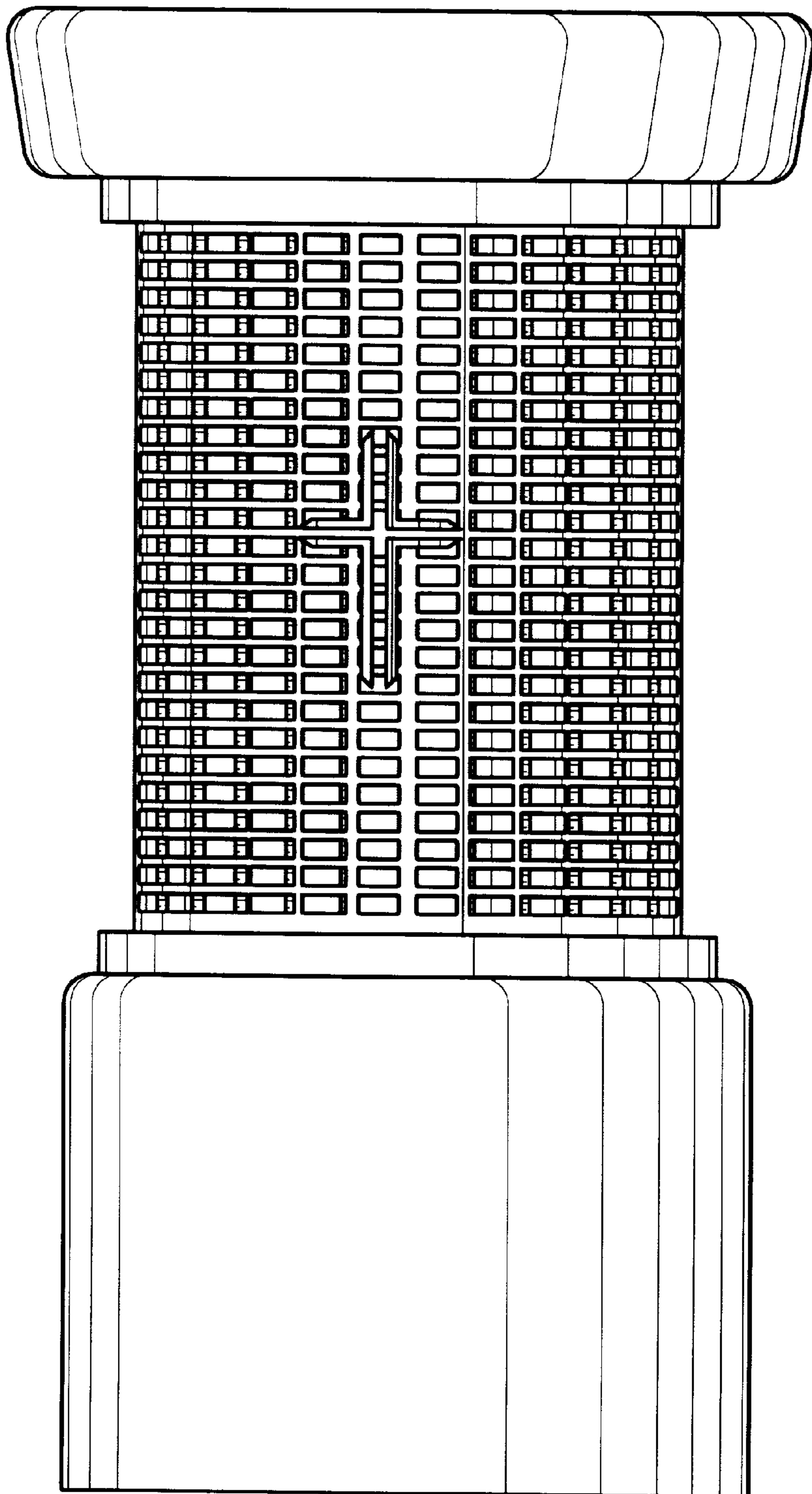


FIG. 2



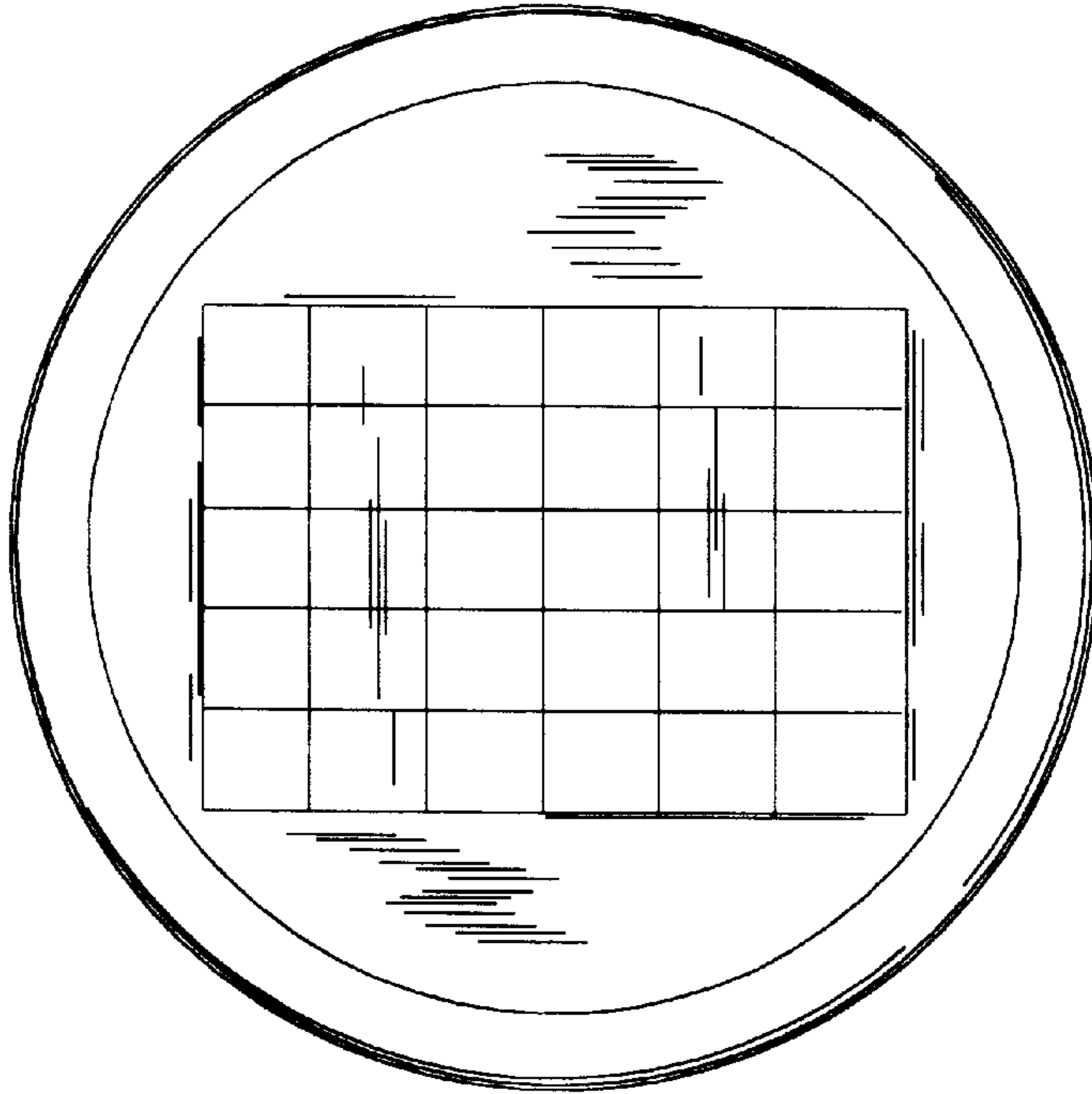


FIG. 3

FIG. 4

