



US00D443940S

(12) **United States Design Patent**
Donato

(10) **Patent No.:** **US D443,940 S**

(45) **Date of Patent:** **** Jun. 19, 2001**

(54) **TRACK LIGHTING FIXTURE**

(75) **Inventor:** **Anthony C. Donato**, Wellesley, MA
(US)

(73) **Assignee:** **Genlyte Thomas Group LLC**,
Louisville, KY (US)

(**) **Term:** **14 Years**

(21) **Appl. No.:** **29/102,434**

(22) **Filed:** **Mar. 25, 1999**

(51) **LOC (7) Cl.** **26-05**

(52) **U.S. Cl.** **D26/63**

(58) **Field of Search** D26/60-66, 118;
362/267, 269, 271, 272, 273, 276, 282,
283, 285, 287, 418, 419, 427, 428, 296,
297, 301, 306

(56) **References Cited**

U.S. PATENT DOCUMENTS

D. 321,410 * 11/1991 Layne D26/63 X

D. 354,148 * 1/1995 Roos D26/63
D. 380,847 * 7/1997 Mier-Langner D26/63
D. 402,773 * 12/1998 Lo D26/118
5,140,507 * 8/1992 Harwood 362/271
6,022,130 * 2/2000 Donato 362/428

* cited by examiner

Primary Examiner—Susan J. Lucas

(57) **CLAIM**

I claim the ornamental design for a track lighting fixture, as shown.

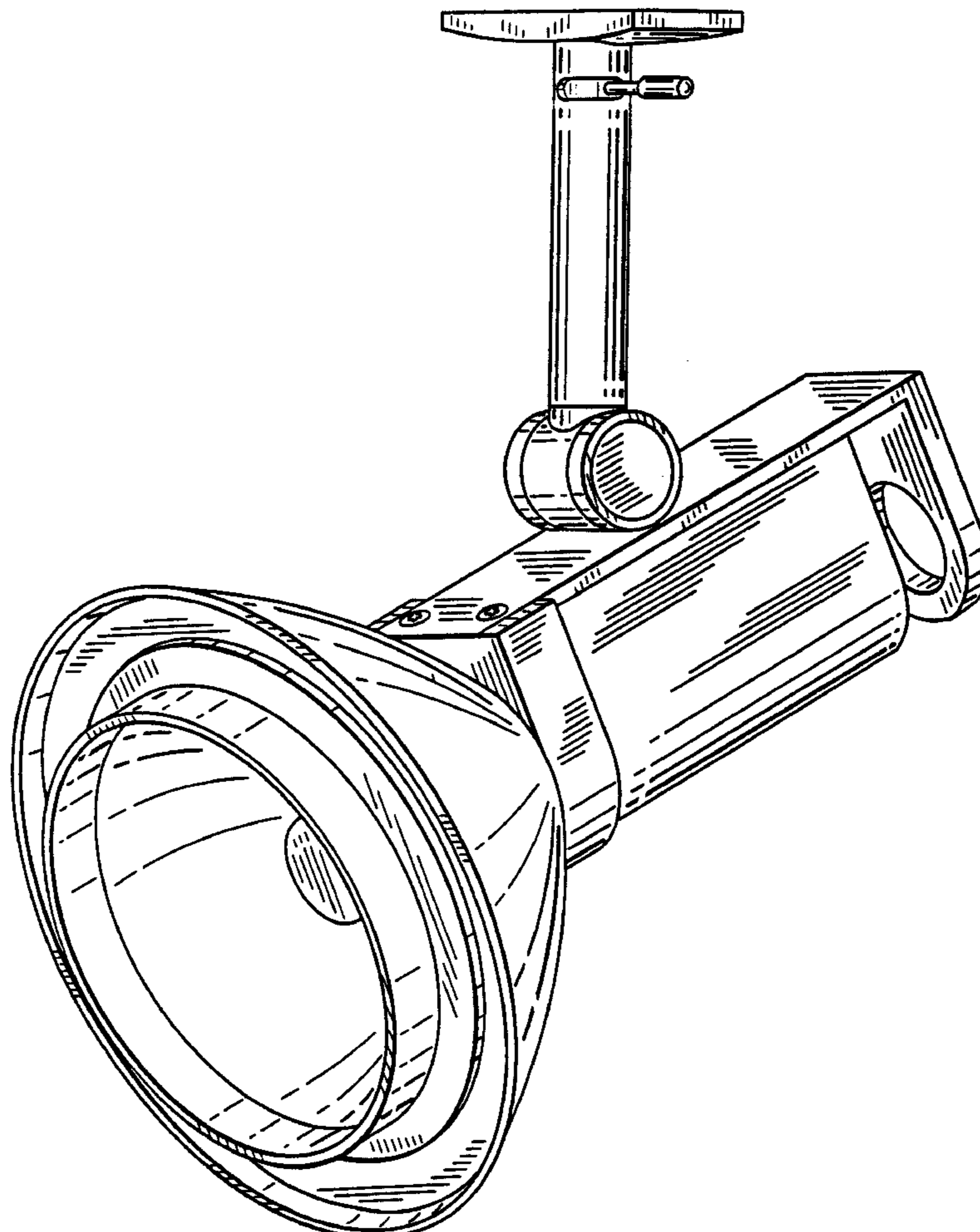
DESCRIPTION

FIG. 1 is a front isometric view of the track lighting fixture of the invention;

FIG. 2 is a rear isometric view of the track lighting fixture of FIG. 1; and,

FIG. 3 is a bottom plan view of the track lighting fixture of FIG. 1.

1 Claim, 3 Drawing Sheets



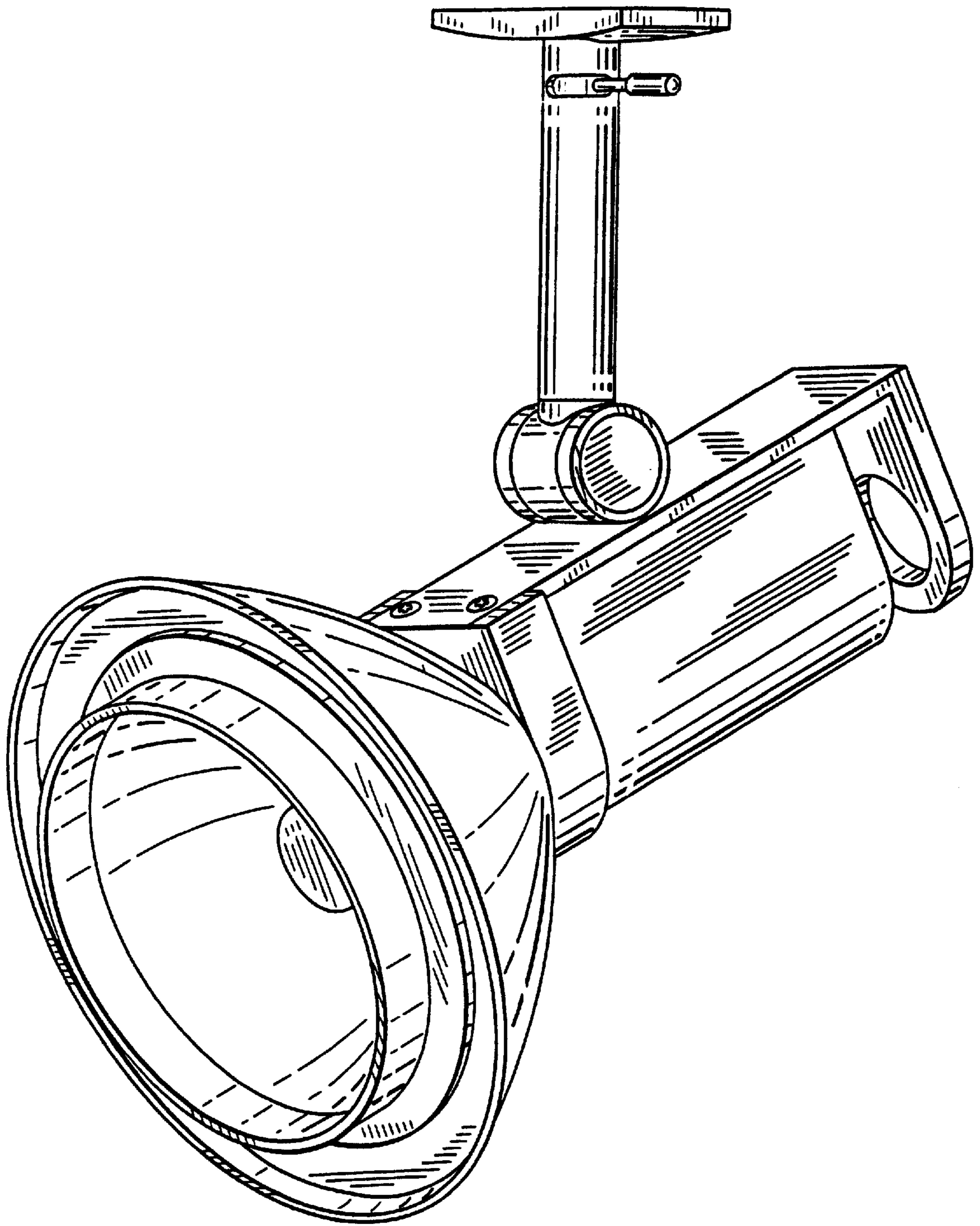


FIG. 1

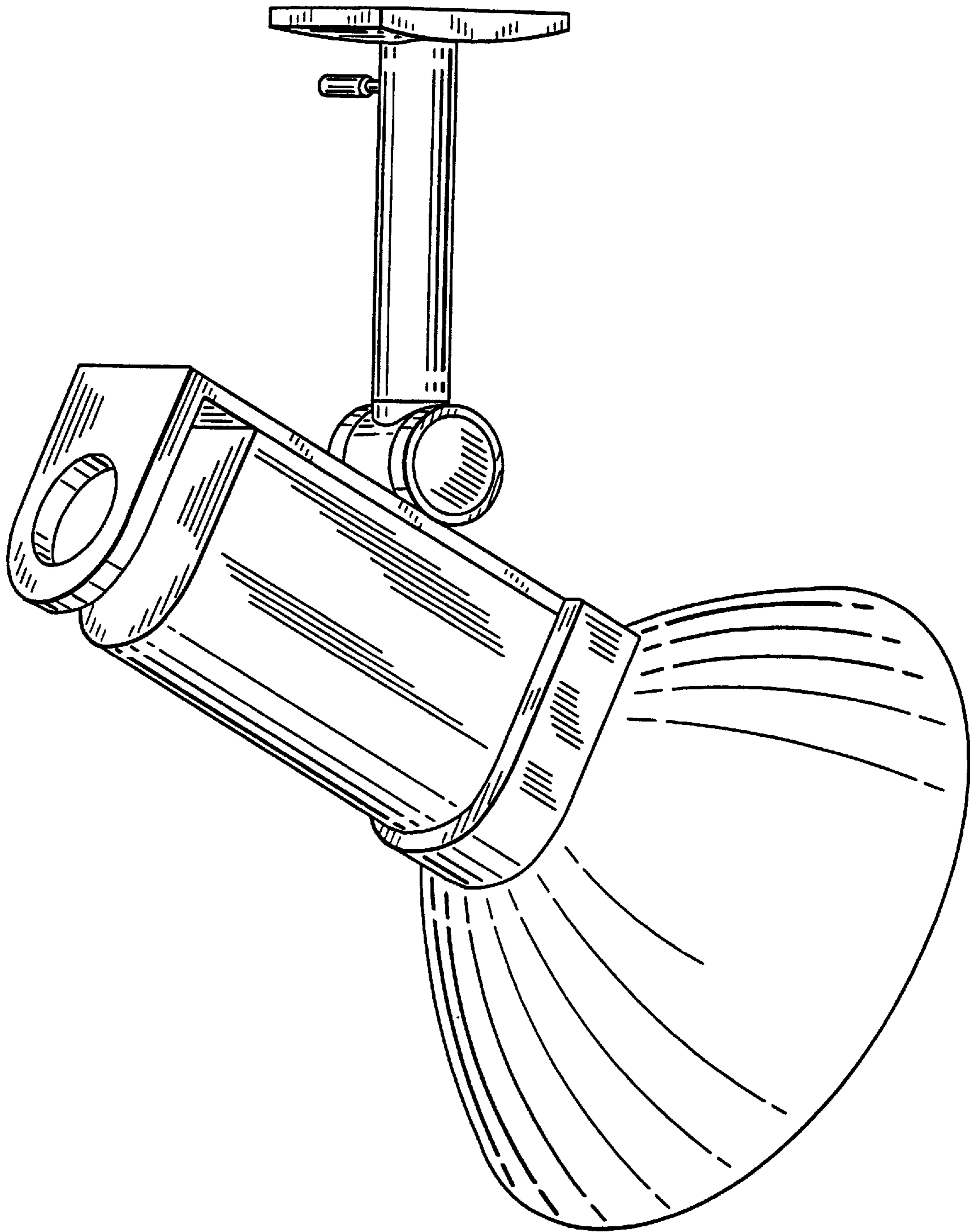


FIG. 2

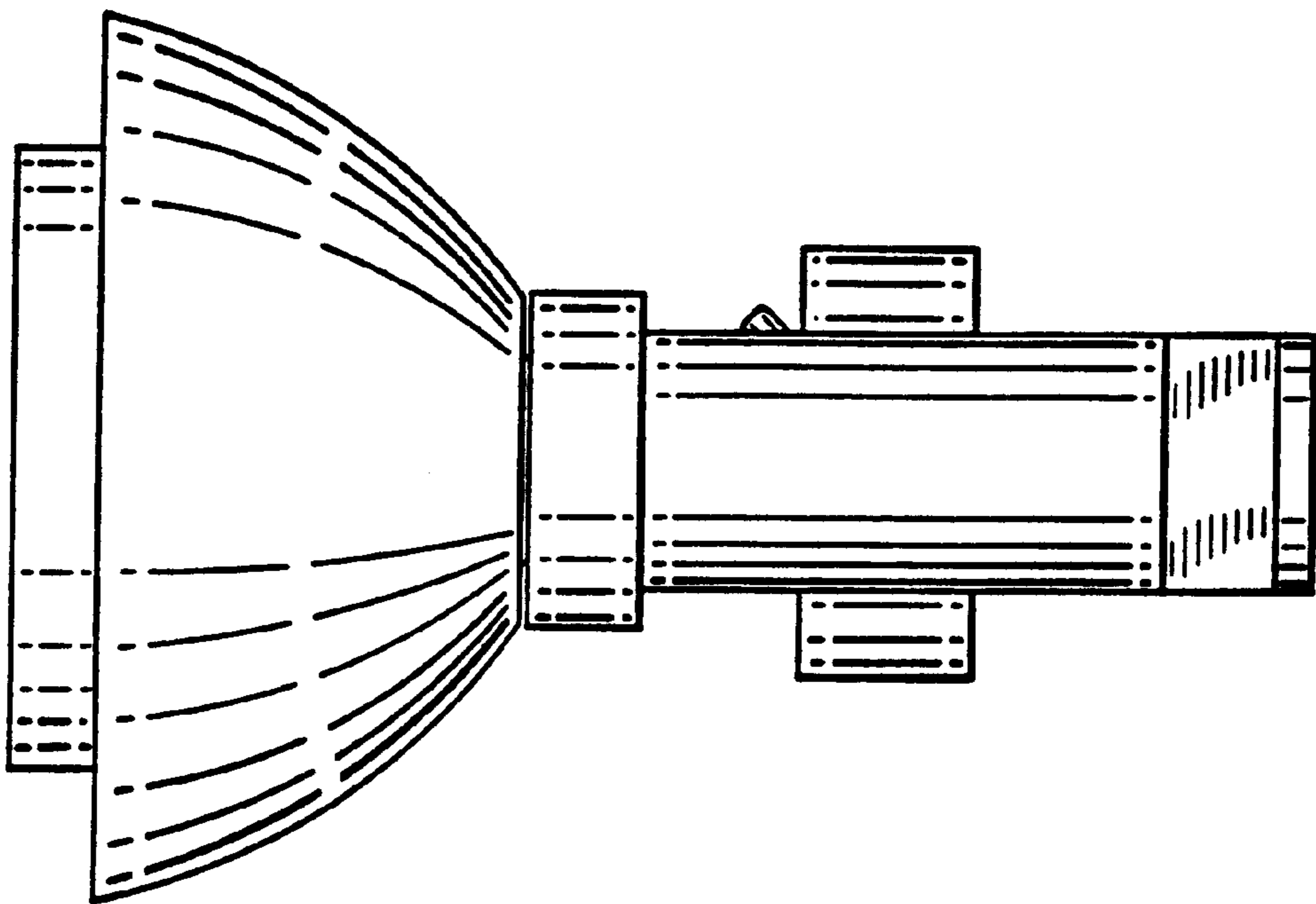


FIG. 3