



US00D443933S

(12) **United States Design Patent**
Schindler

(10) **Patent No.:** **US D443,933 S**

(45) **Date of Patent:** **** Jun. 19, 2001**

(54) **BABY BOTTLE HOLDER**

(76) Inventor: **Lisa A. Schindler**, 604 Posada Ct. SE.,
Albuquerque, NM (US) 87123

(**) Term: **14 Years**

(21) Appl. No.: **29/131,721**

(22) Filed: **Oct. 26, 2000**

(51) **LOC (7) Cl.** **07-01**

(52) **U.S. Cl.** **D24/199**

(58) **Field of Search** D24/199; 248/102,
248/103, 104, 105, 106, 107

(56) **References Cited**

U.S. PATENT DOCUMENTS

D. 313,848	*	1/1991	Corso	D24/197
D. 315,959	*	4/1991	Bilangi	D24/199
D. 401,345	*	11/1998	Landgrebe	D24/199
D. 424,205	*	5/2000	Williams	D24/199
2,267,113	*	12/1941	Kyprie	248/102
3,648,958	*	3/1972	Araujo	248/105

* cited by examiner

Primary Examiner—Stella Reid

(74) *Attorney, Agent, or Firm*—DeWitt M. Morgan

(57) **CLAIM**

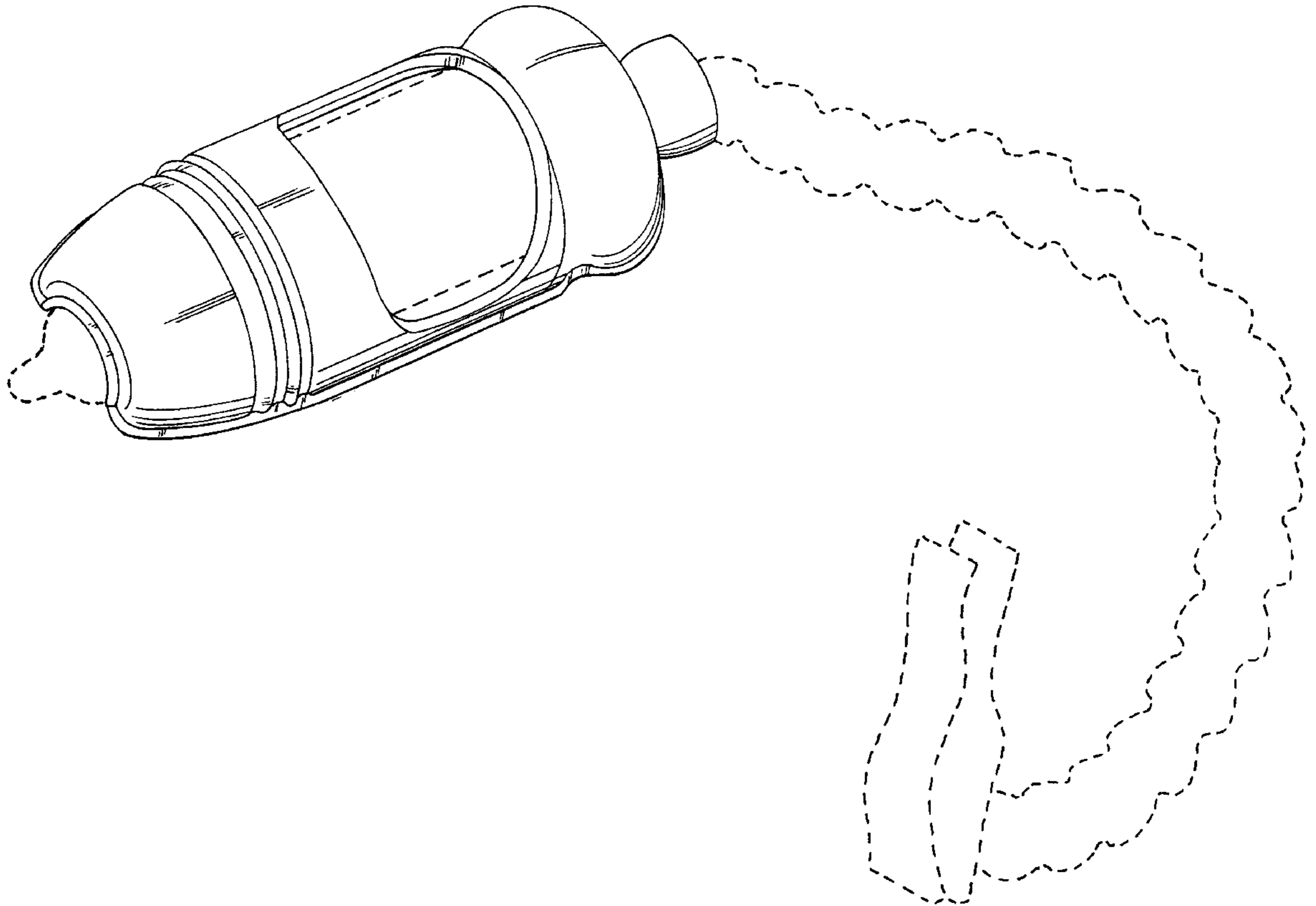
I claim the ornamental design for a baby bottle holder, as shown and described.

DESCRIPTION

FIG. 1 is the back view of the bottle holder;
FIG. 2 is the front view of the bottle holder;
FIG. 3 is the right side view of the bottle holder;
FIG. 4 is the left side view of the bottle holder;
FIG. 5 is the top view of the bottle holder;
FIG. 6 is the bottom view of the bottle holder;
FIG. 7 is a perspective view of the bottle holder in the open position; and,
FIG. 8 is a perspective view of the bottle holder in the closed position.

The broken line showing of the bottle and connector arm is for illustrative purposes only and forms no part of the claimed design.

1 Claim, 5 Drawing Sheets



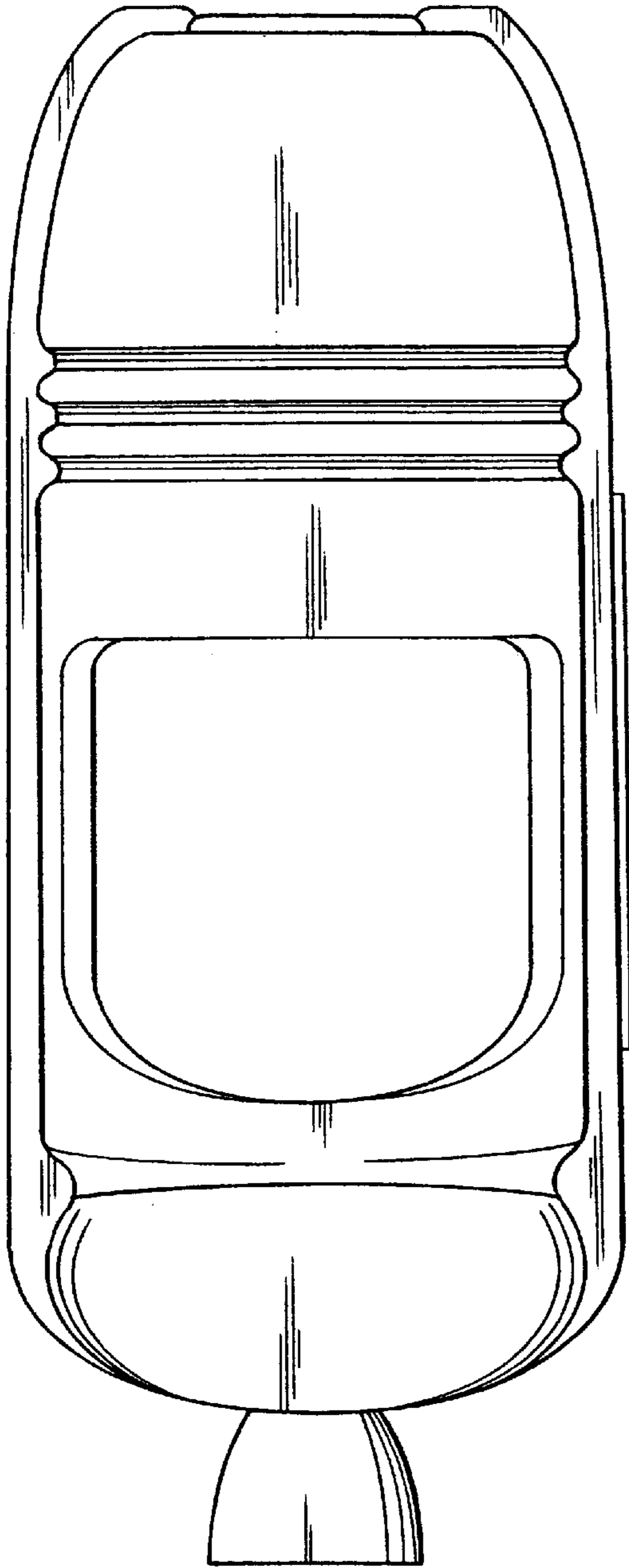


FIG-1

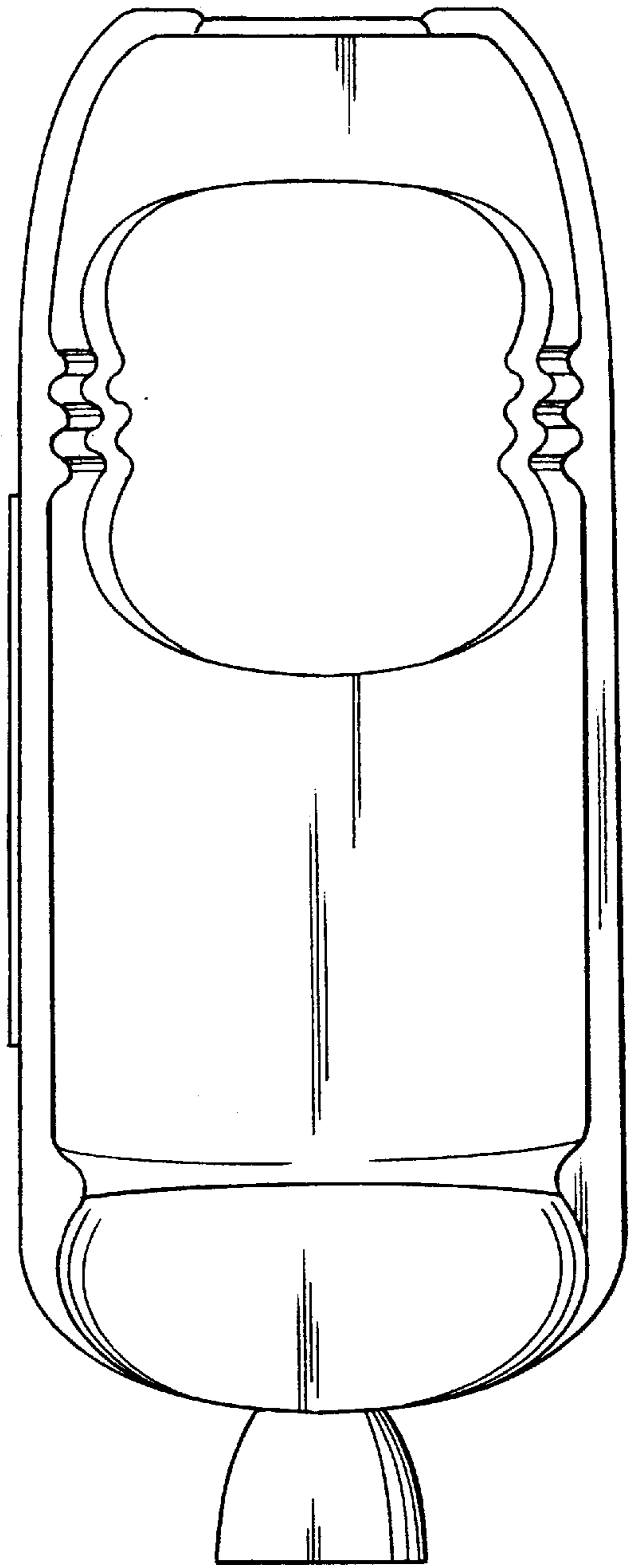


FIG-2

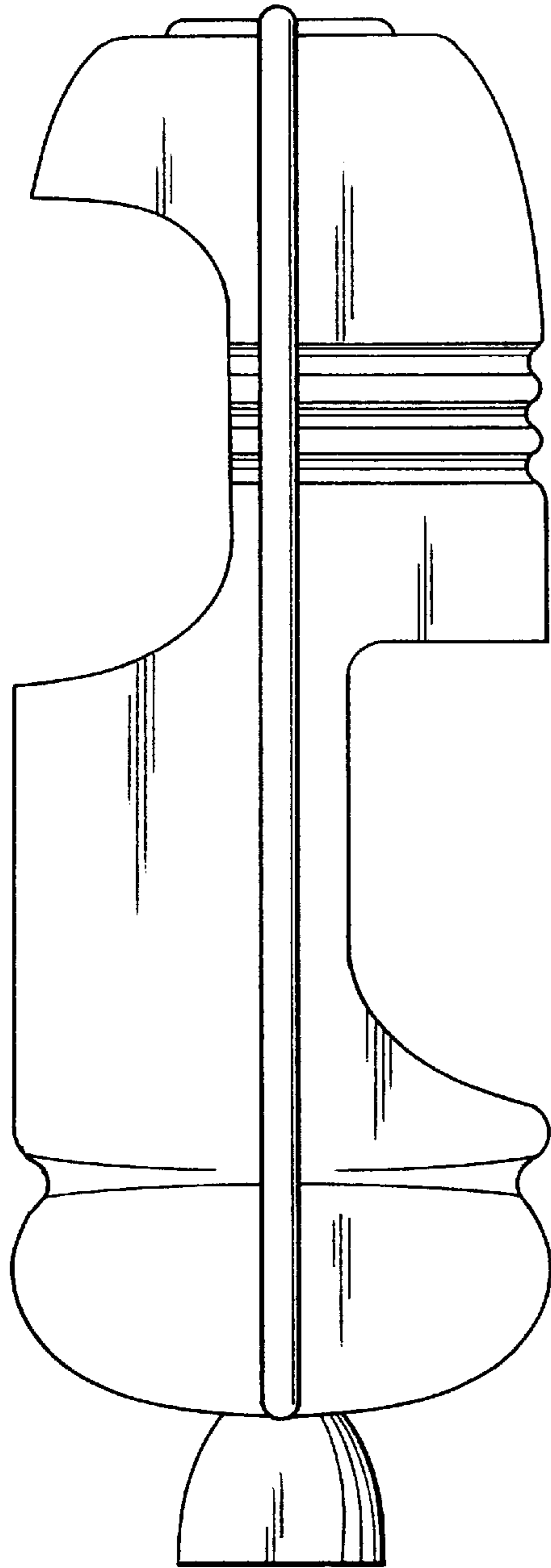


FIG-3

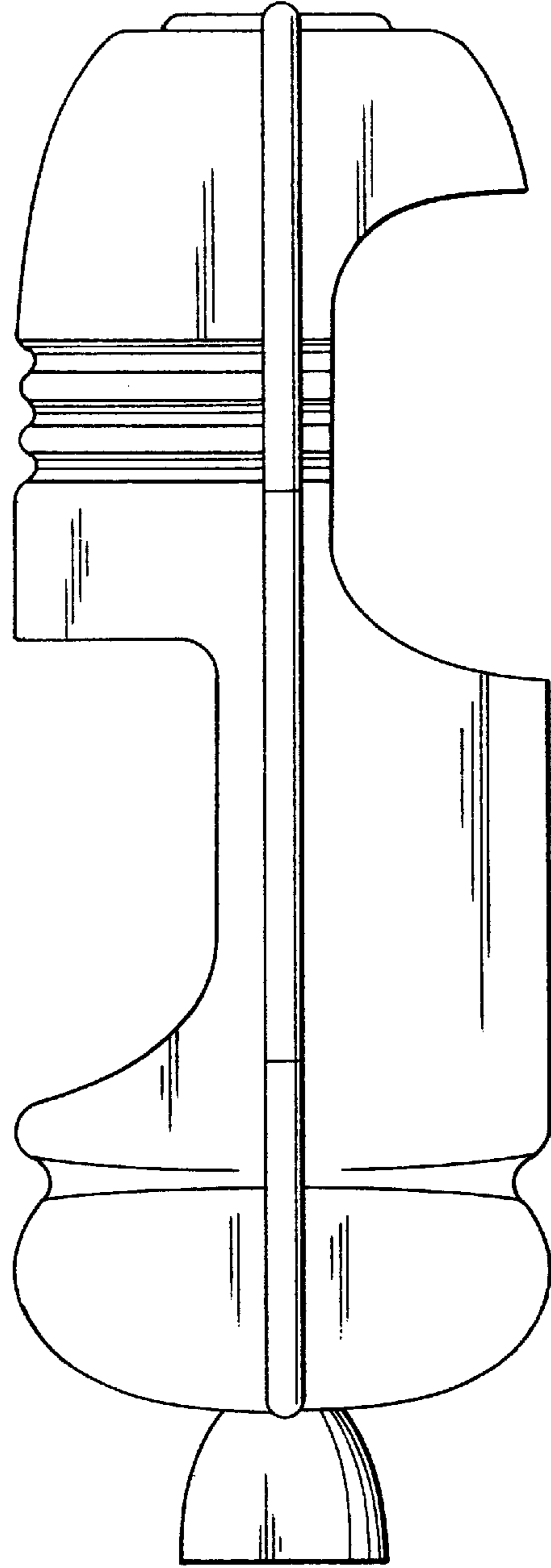


FIG-4

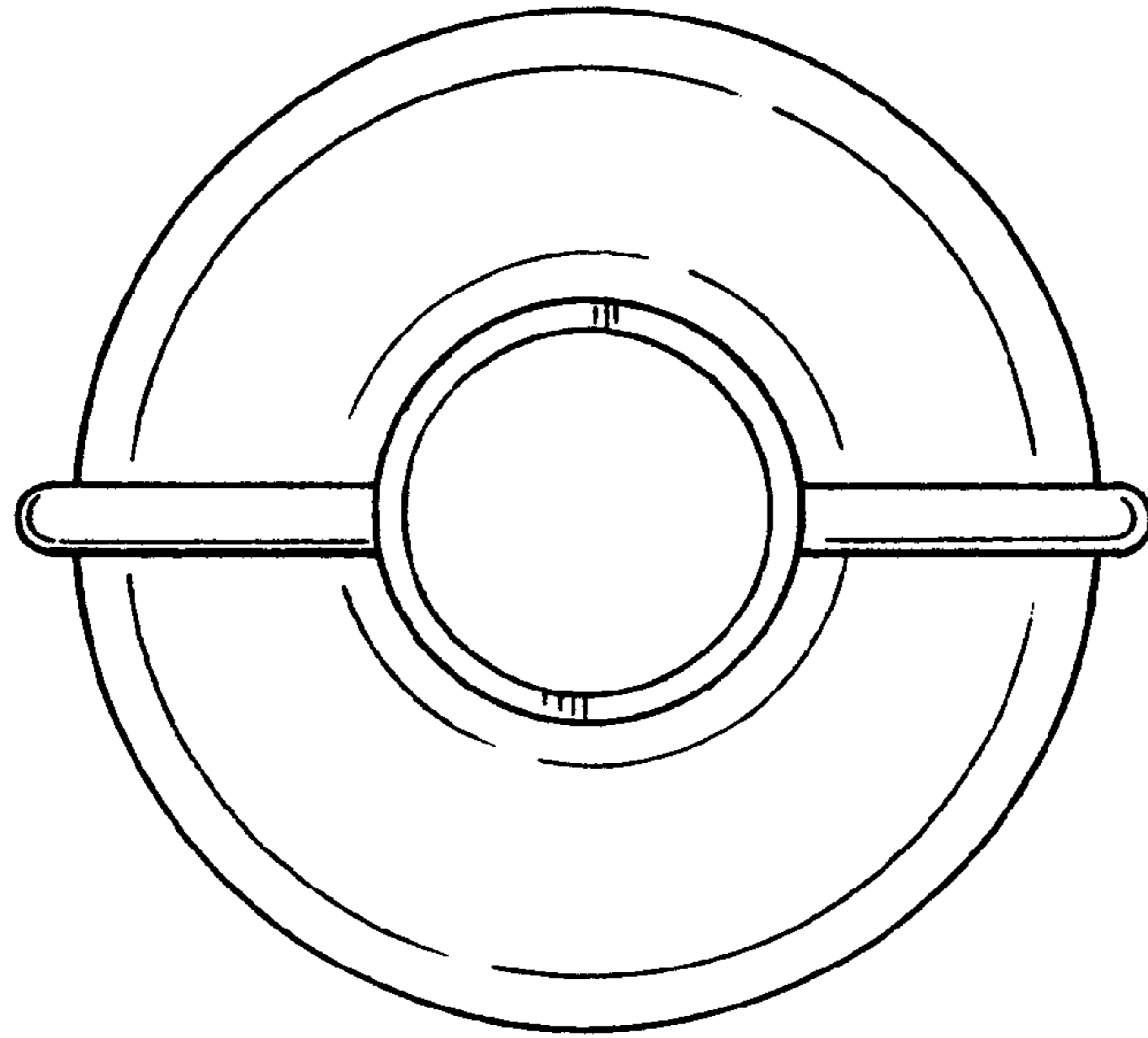


FIG-5

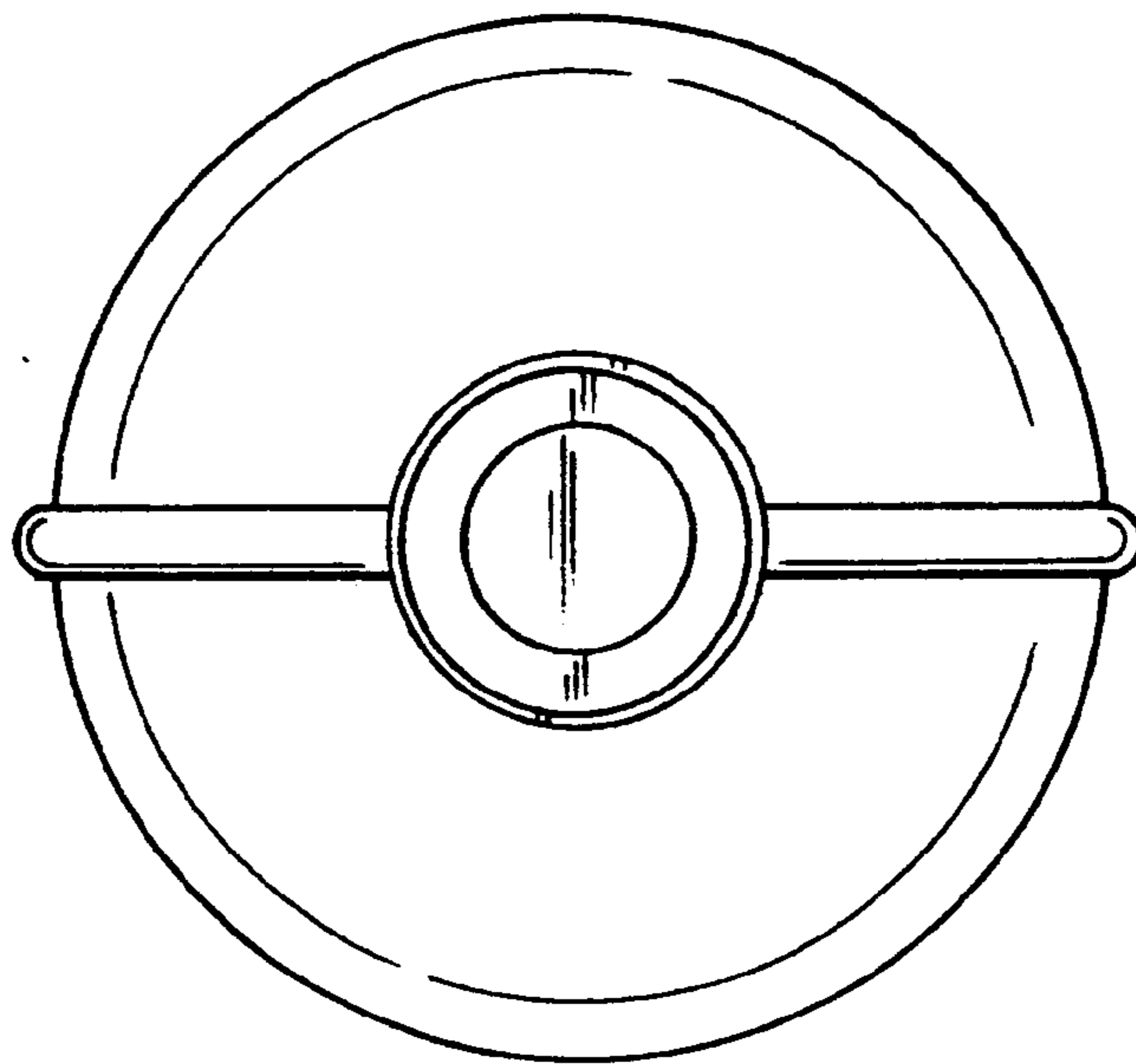


FIG-6

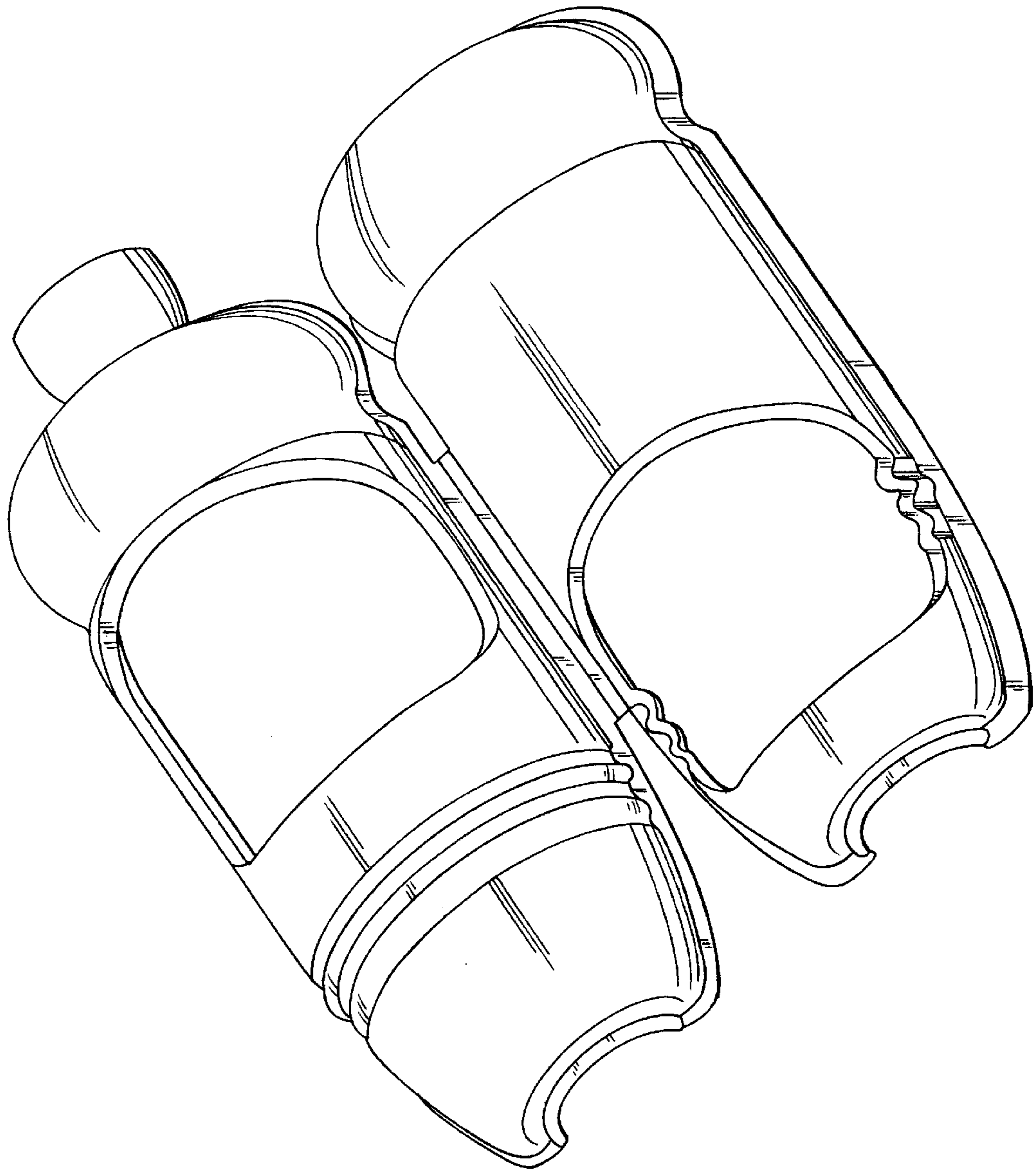


FIG-7

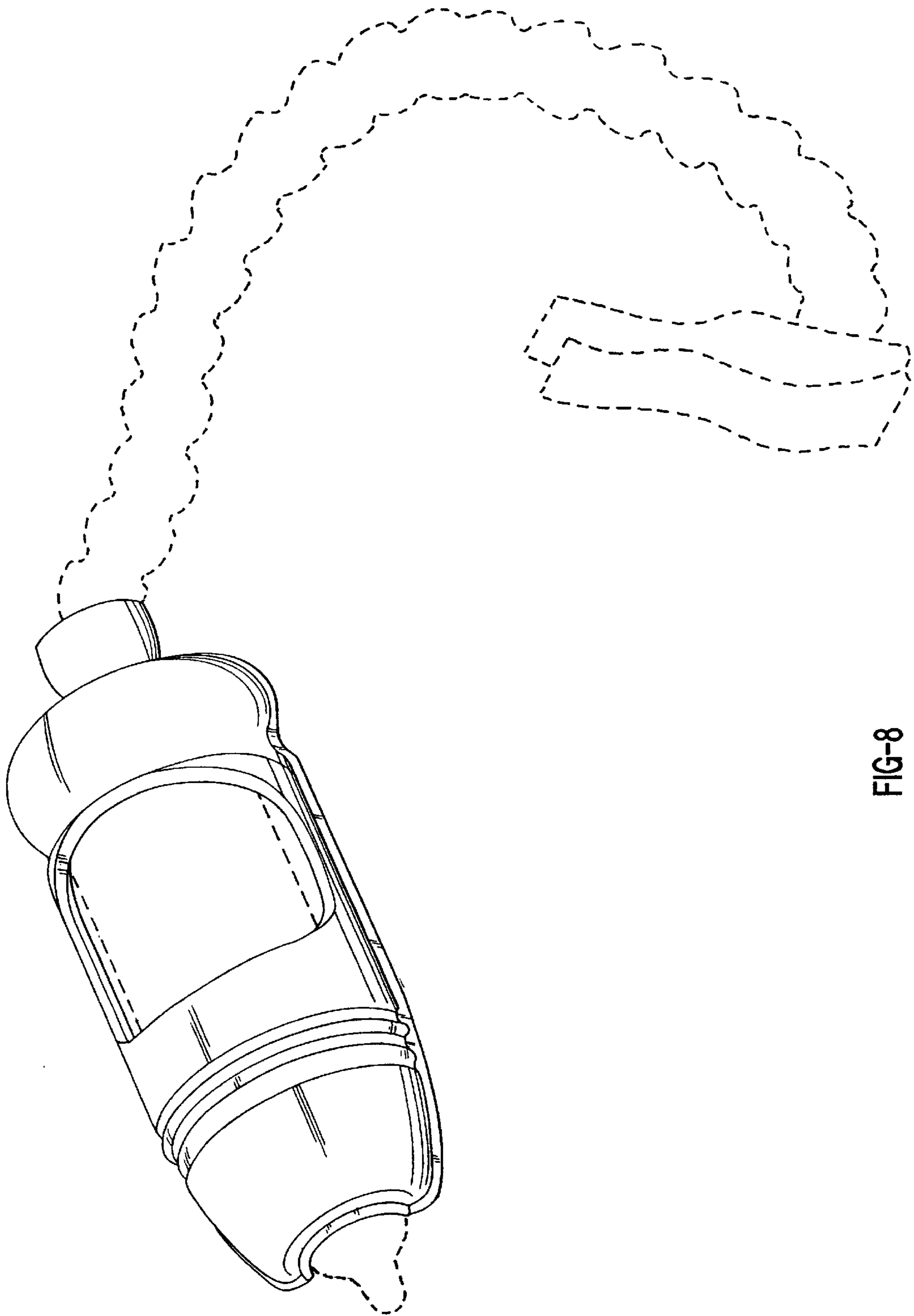


FIG-8