



US00D443932S

(12) **United States Design Patent**
Wickerman

(10) **Patent No.:** **US D443,932 S**

(45) **Date of Patent:** **** Jun. 19, 2001**

(54) **GLOW-IN-THE DARK PACIFIER SET**

Primary Examiner—Stella Reid

(76) **Inventor:** **Deborah J. Wickerman**, 2041 N.
Almond Cir., Mesa, AZ (US) 85213

(74) *Attorney, Agent, or Firm*—Harry M. Weiss; Jeffrey
Weiss; Paul W. Davis

(**) **Term:** **14 Years**

(21) **Appl. No.:** **29/091,287**

(57) **CLAIM**

(22) **Filed:** **Jul. 27, 1998**

The ornamental design for a glow-in-the-dark pacifier set, as
shown and described.

(51) **LOC (7) Cl.** **24-04**

(52) **U.S. Cl.** **D24/196**

(58) **Field of Search** D24/196, 194,
D24/193; 606/234, 235, 236

DESCRIPTION

(56) **References Cited**

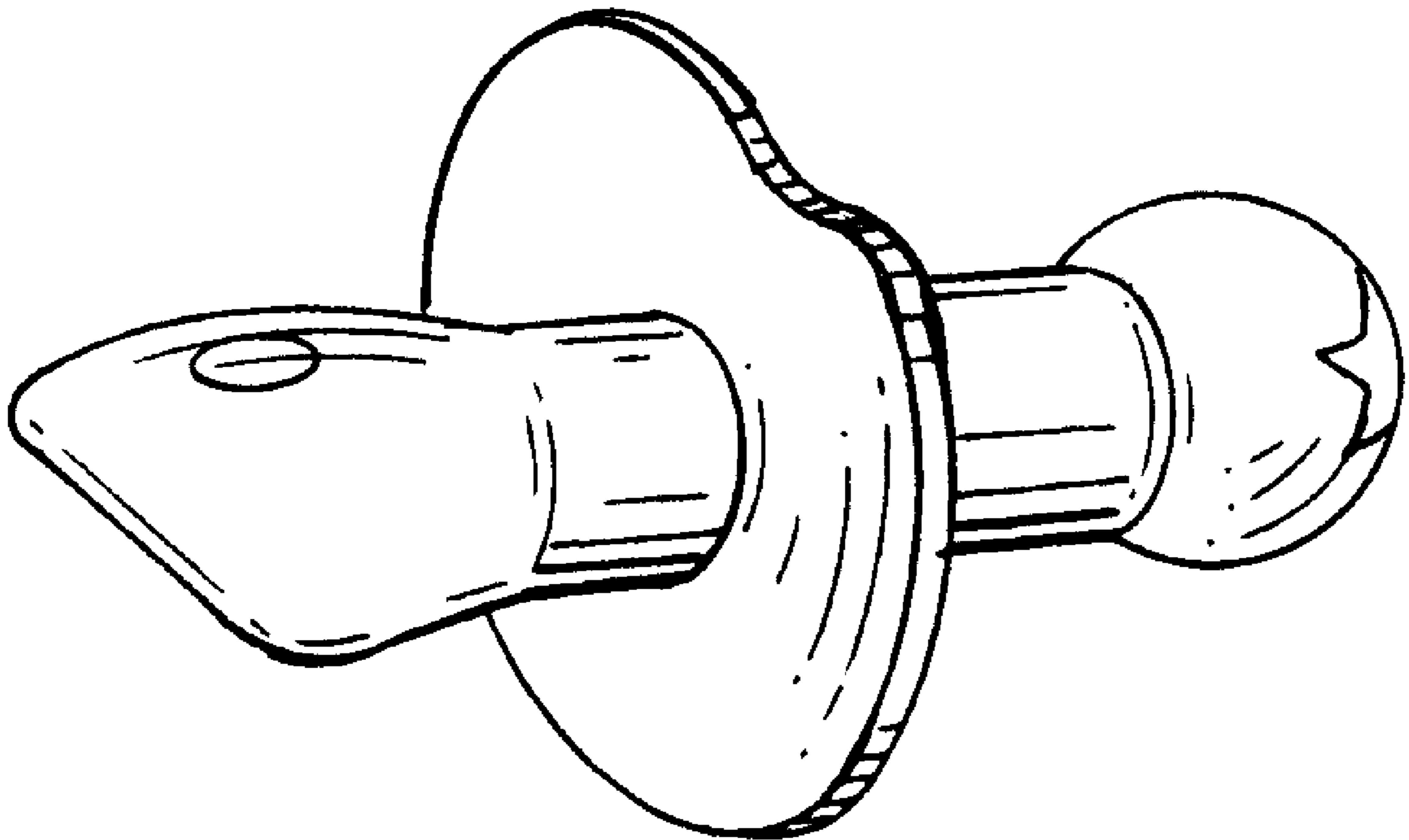
U.S. PATENT DOCUMENTS

D. 328,647	*	8/1992	Hwang	D24/194
D. 355,966	*	2/1995	Harrison et al.	D24/195
D. 357,539	*	4/1995	Harrison et al.	D24/195
D. 363,548	*	10/1995	Riccio-Disch et al.	D24/194
D. 393,074	*	3/1998	Fields et al.	D24/194
5,292,335	*	3/1994	Shin	606/234

FIG. 1 is a perspective view of a glow-in-the-dark pacifier,
showing my new design of one handle in the set;
FIG. 2 is a top view thereof;
FIG. 3 is a side view thereof, the opposite side being a mirror
image;
FIG. 4 is a bottom view thereof;
FIG. 5 is a front view thereof; and,
FIG. 6 is a front view of alternate embodiments of the handle
portion depicted in FIG. 1. of the pacifier set.

* cited by examiner

1 Claim, 1 Drawing Sheet



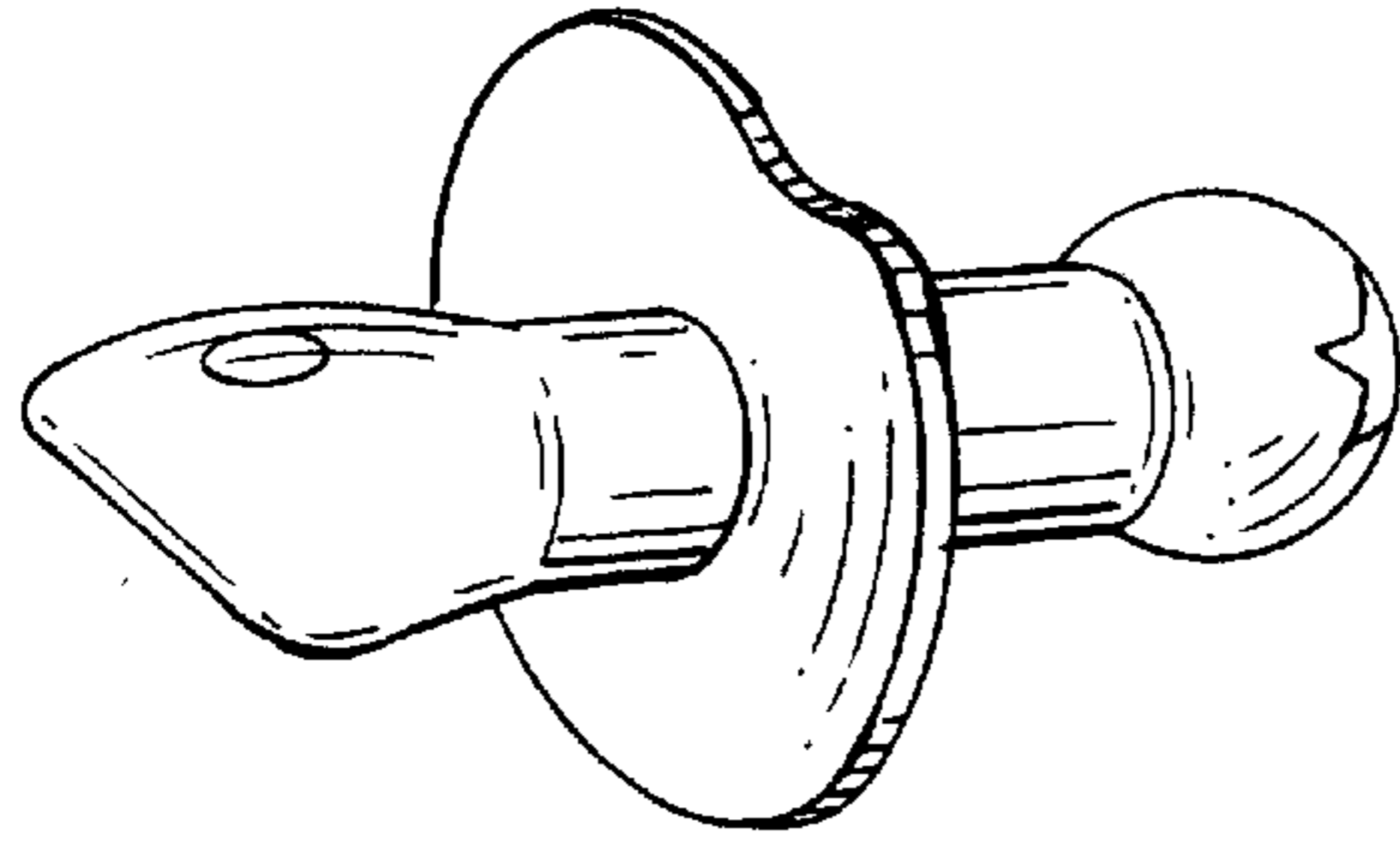


FIG. 1

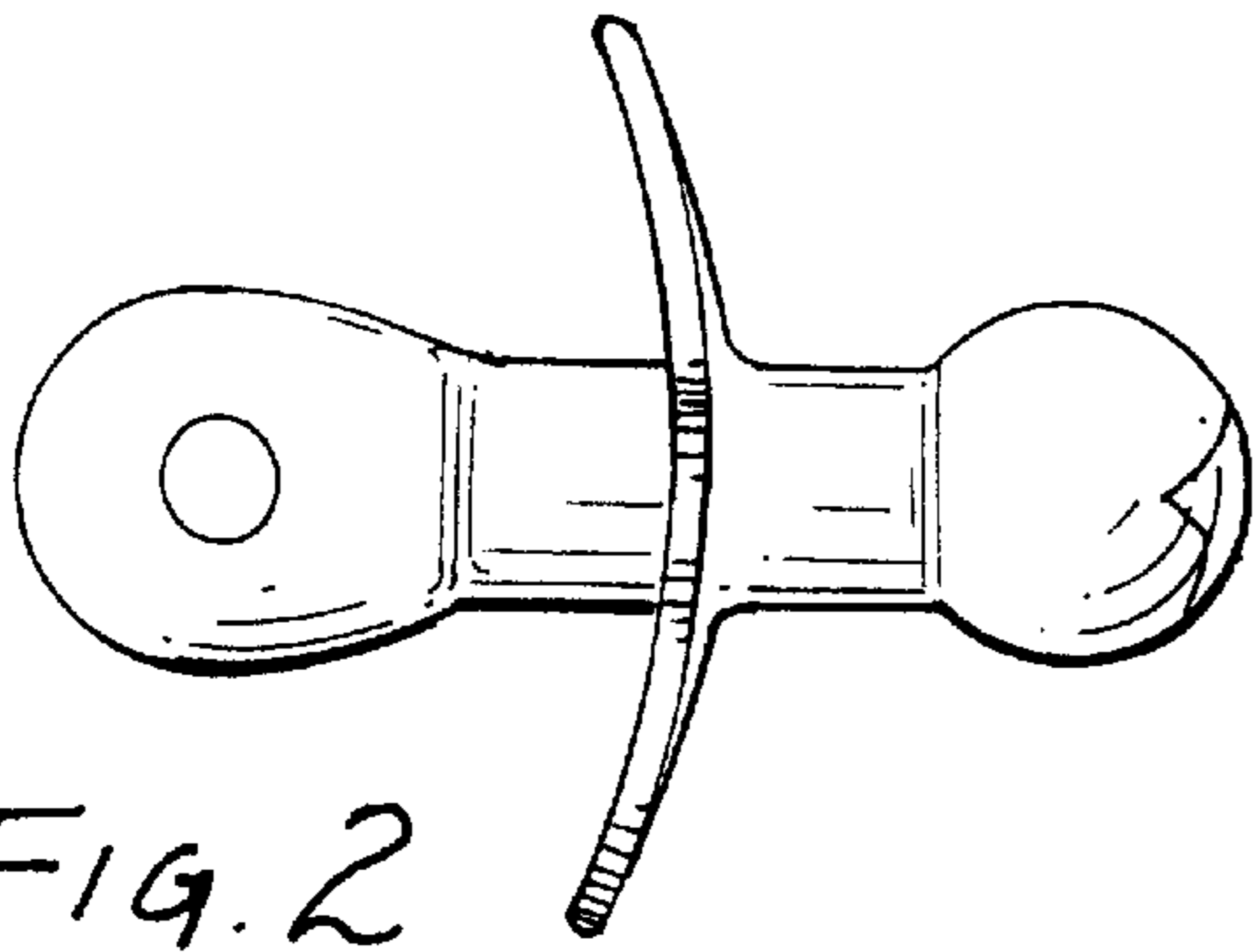


FIG. 2

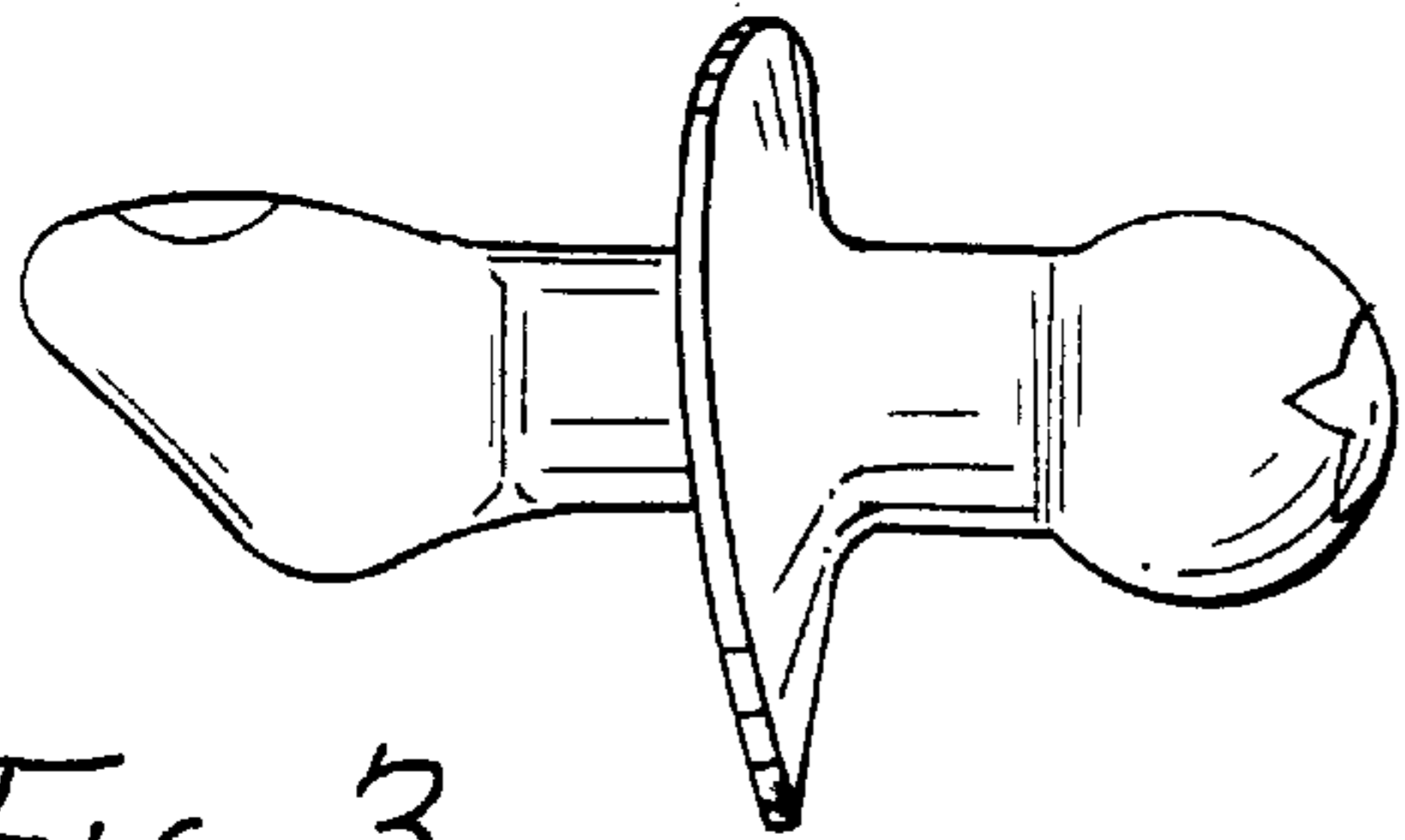


FIG. 3

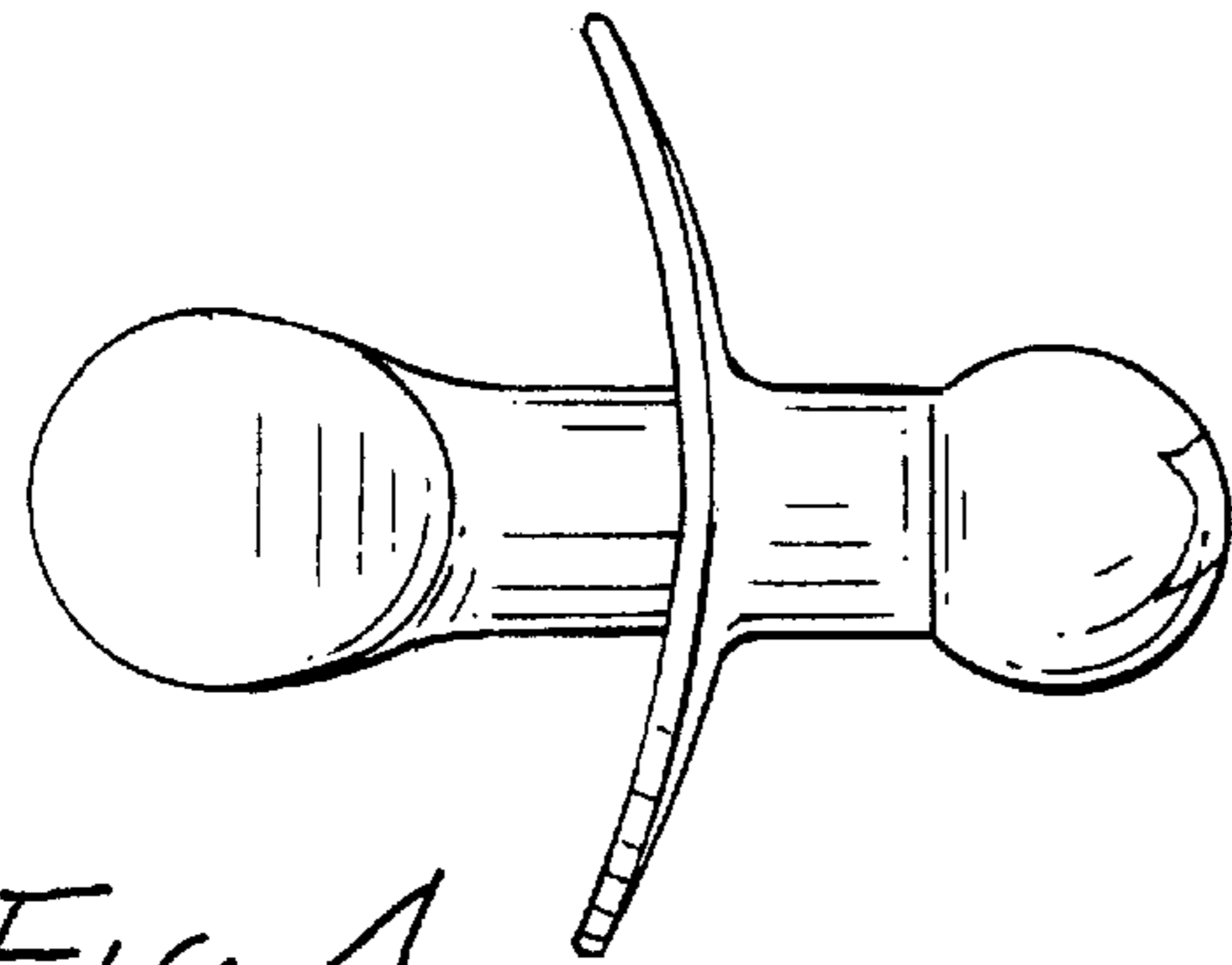


FIG. 4

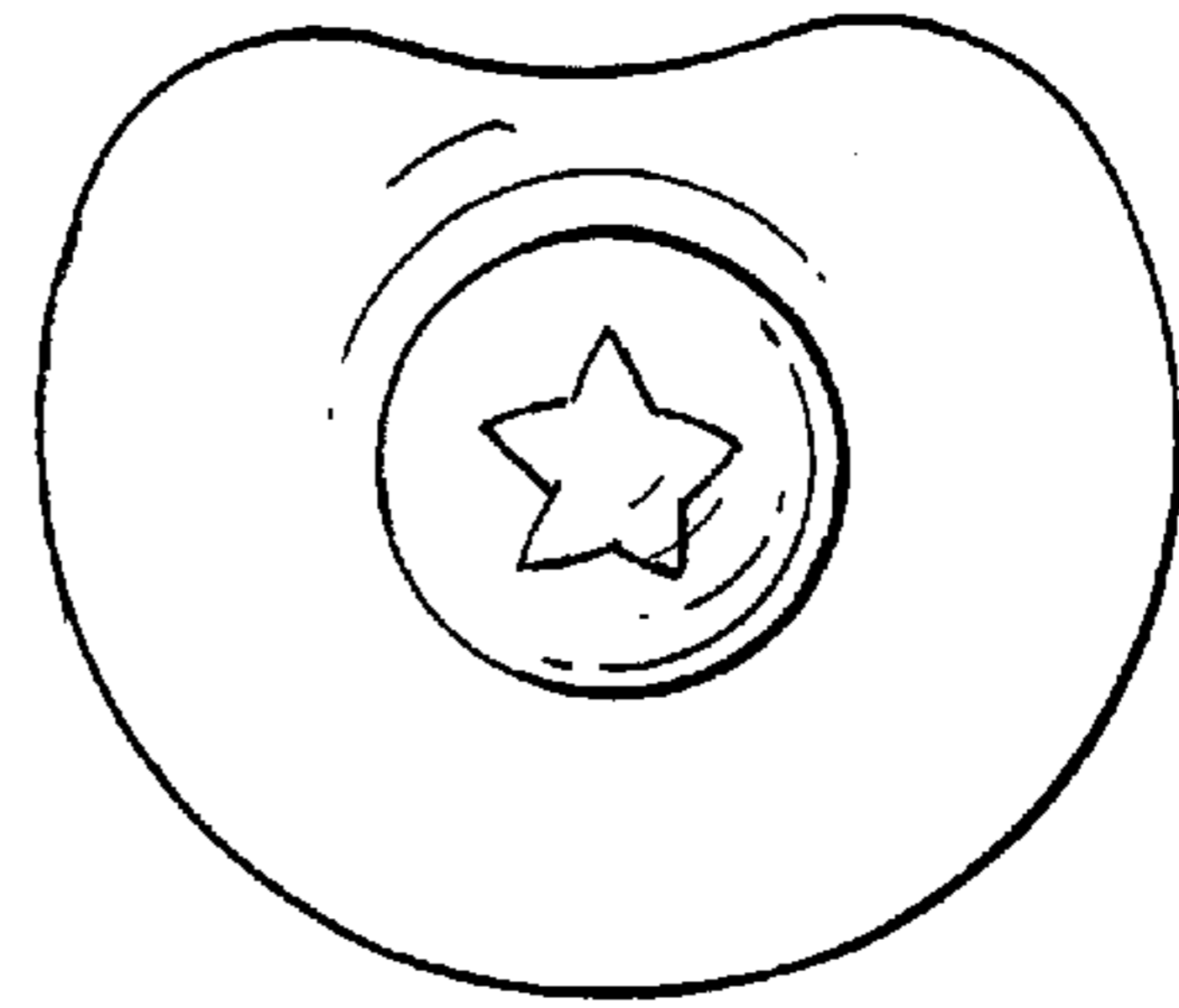


FIG. 5

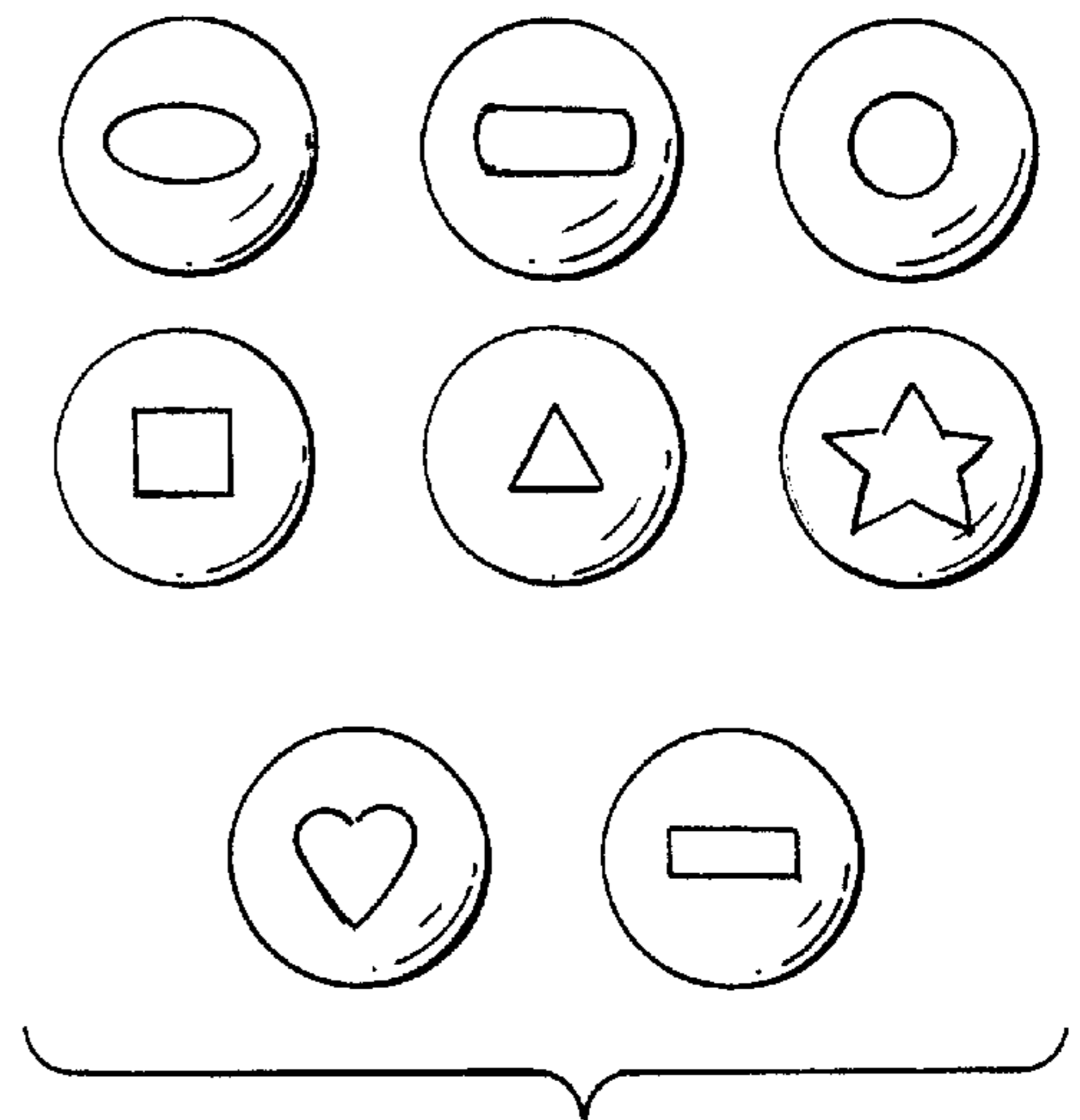


FIG. 6