



US00D443931S

(12) **United States Design Patent**
Davey

(10) **Patent No.:** **US D443,931 S**

(45) **Date of Patent:** **** Jun. 19, 2001**

(54) **FETAL MONITOR**

(75) **Inventor:** **Andrew Paul Davey, London (GB)**

(73) **Assignee:** **Oxford Instruments Medical Ltd., Oxon (GB)**

(**) **Term:** **14 Years**

(21) **Appl. No.:** **29/121,195**

(22) **Filed:** **Mar. 30, 2000**

(30) **Foreign Application Priority Data**

Oct. 1, 1999 (GB) 2087077

(51) **LOC (7) Cl.** **24-01**

(52) **U.S. Cl.** **D24/186**

(58) **Field of Search** D24/186, 167;
600/453, 437, 438, 440, 485, 304, 511,
509, 508

(56) **References Cited**

U.S. PATENT DOCUMENTS

- D. 262,571 * 1/1982 Francis D24/186
- D. 269,372 * 6/1983 Reis et al. D24/186
- D. 299,861 * 2/1989 Hunsdale et al. D24/186
- D. 329,701 * 9/1992 Rogler D24/167
- D. 330,424 * 10/1992 Davis et al. D24/160

- D. 330,425 * 10/1992 Davis et al. D24/160
- D. 392,043 * 3/1998 Cooper et al. D24/186
- 4,513,295 * 4/1985 Jones et al. 346/33 ME
- 5,042,499 * 8/1991 Frank et al. 128/698
- 5,088,497 * 2/1992 Ikeda 128/661.07
- 5,442,940 * 8/1995 Secker et al. 128/670
- 5,538,005 * 7/1996 Harrison et al. 600/511
- 6,093,151 * 7/2000 Shine et al. 600/485

* cited by examiner

Primary Examiner—Stella Reid

(74) *Attorney, Agent, or Firm*—Fenwick & West, LLP

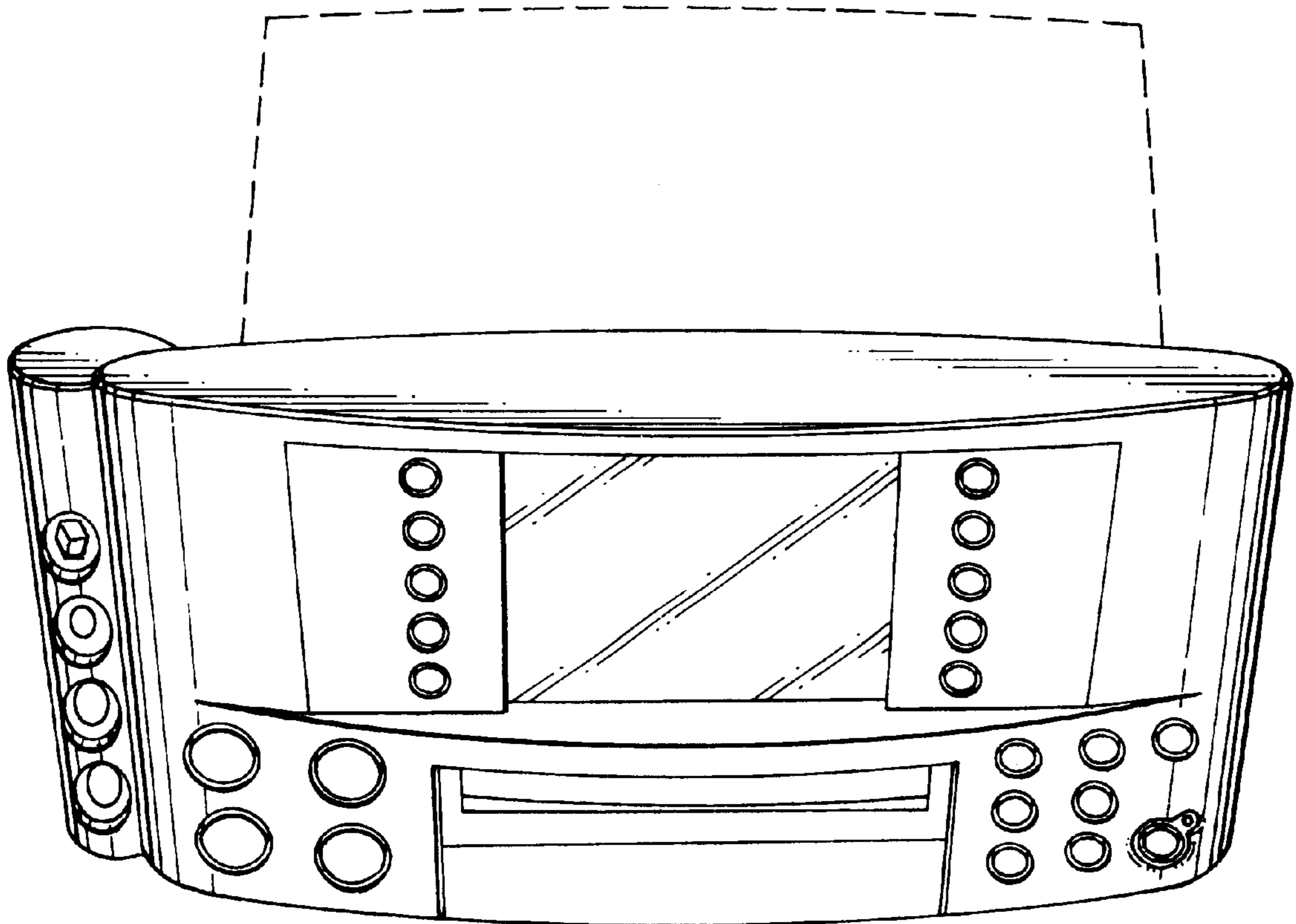
(57) **CLAIM**

The ornamental design of a fetal monitor, as shown and described.

DESCRIPTION

FIG. 1 is a front elevational view of a fetal monitor, showing my new design;
 FIG. 2 is a side elevational view thereof;
 FIG. 3 is a top plan view thereof; and,
 FIG. 4 is a top perspective view thereof.
 The surfaces not shown of the fetal monitor form no part of the claimed design.
 The broken line showing is for illustrative purposes only and forms no part of the claimed design.

1 Claim, 2 Drawing Sheets



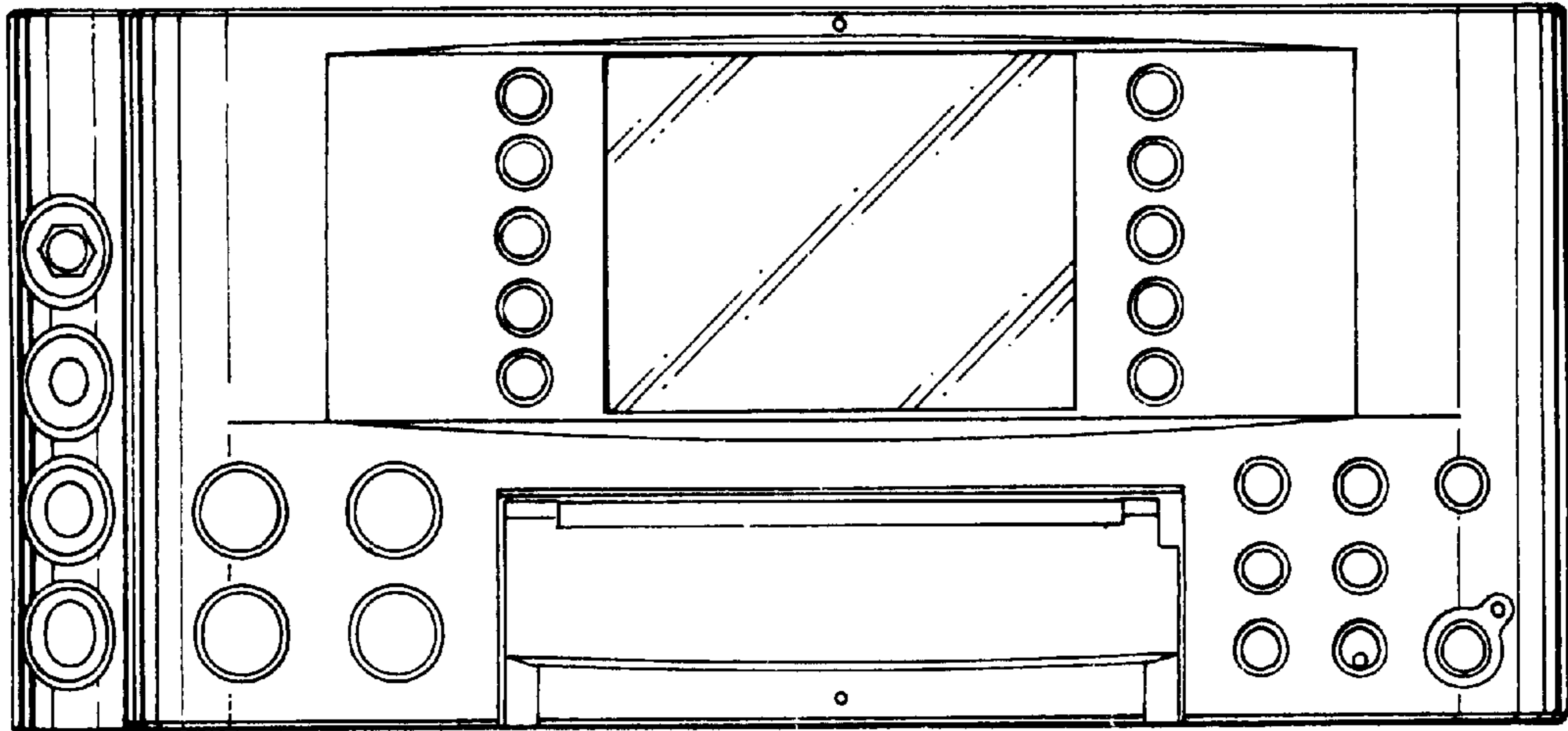


Fig.1.

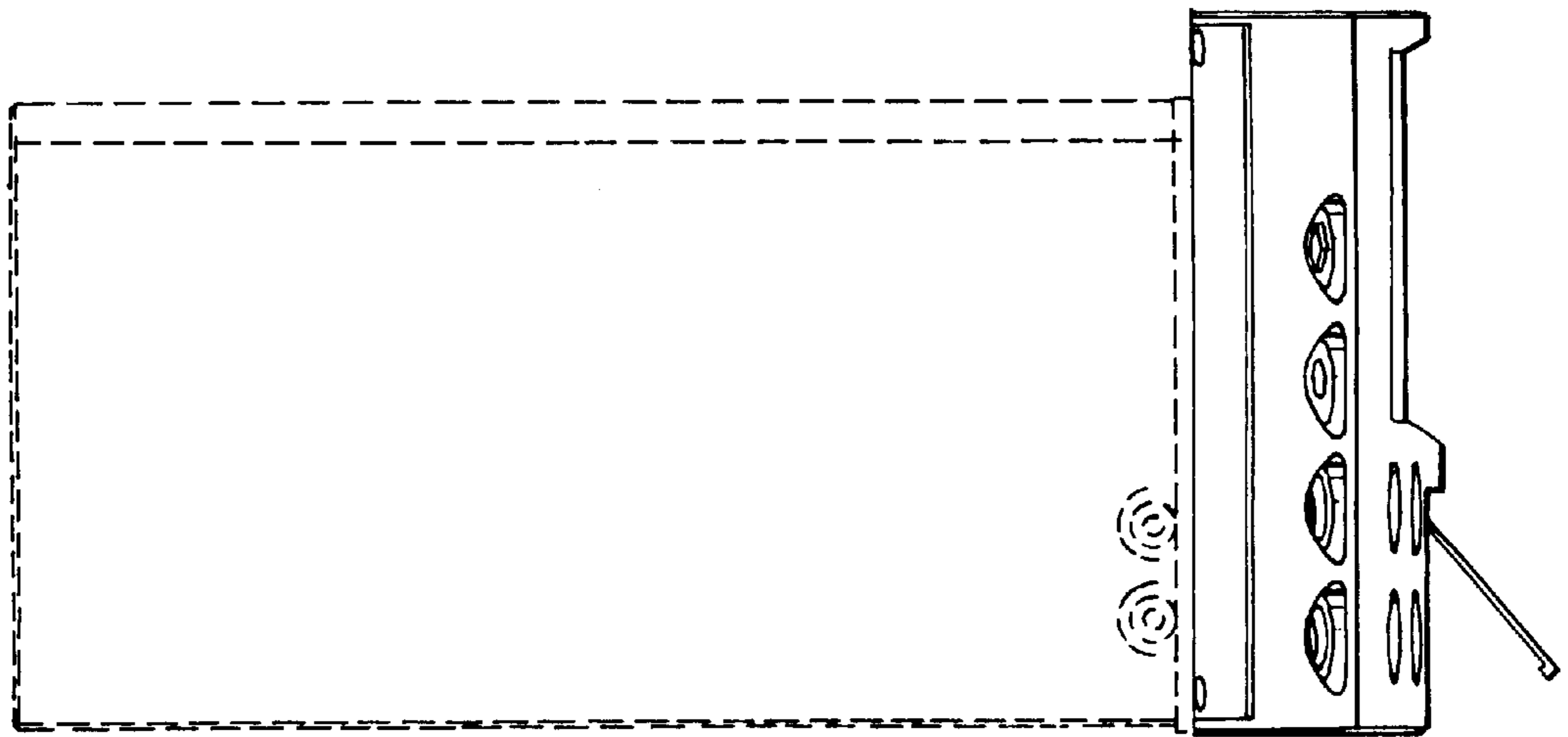


Fig.2.

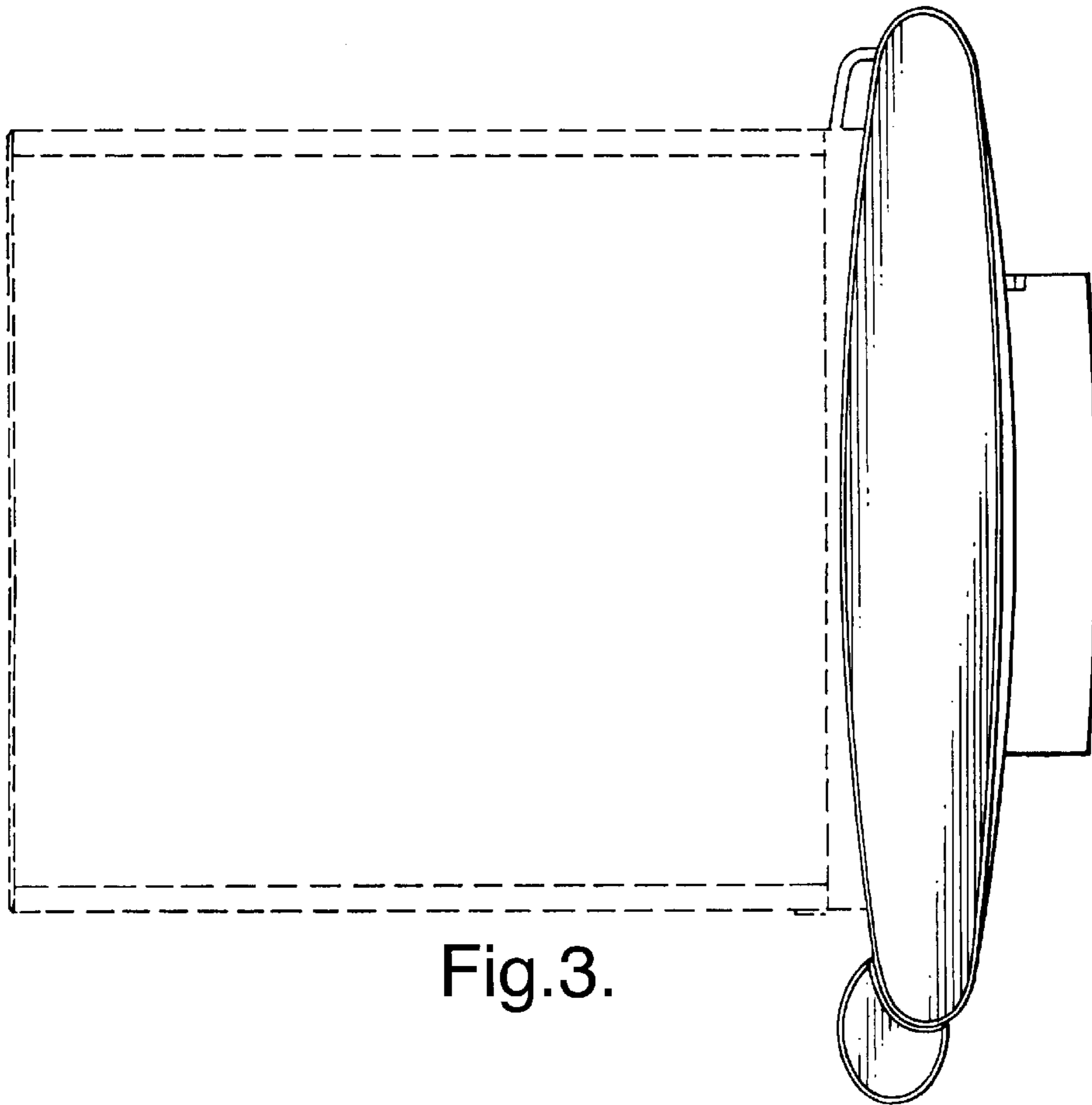


Fig.3.

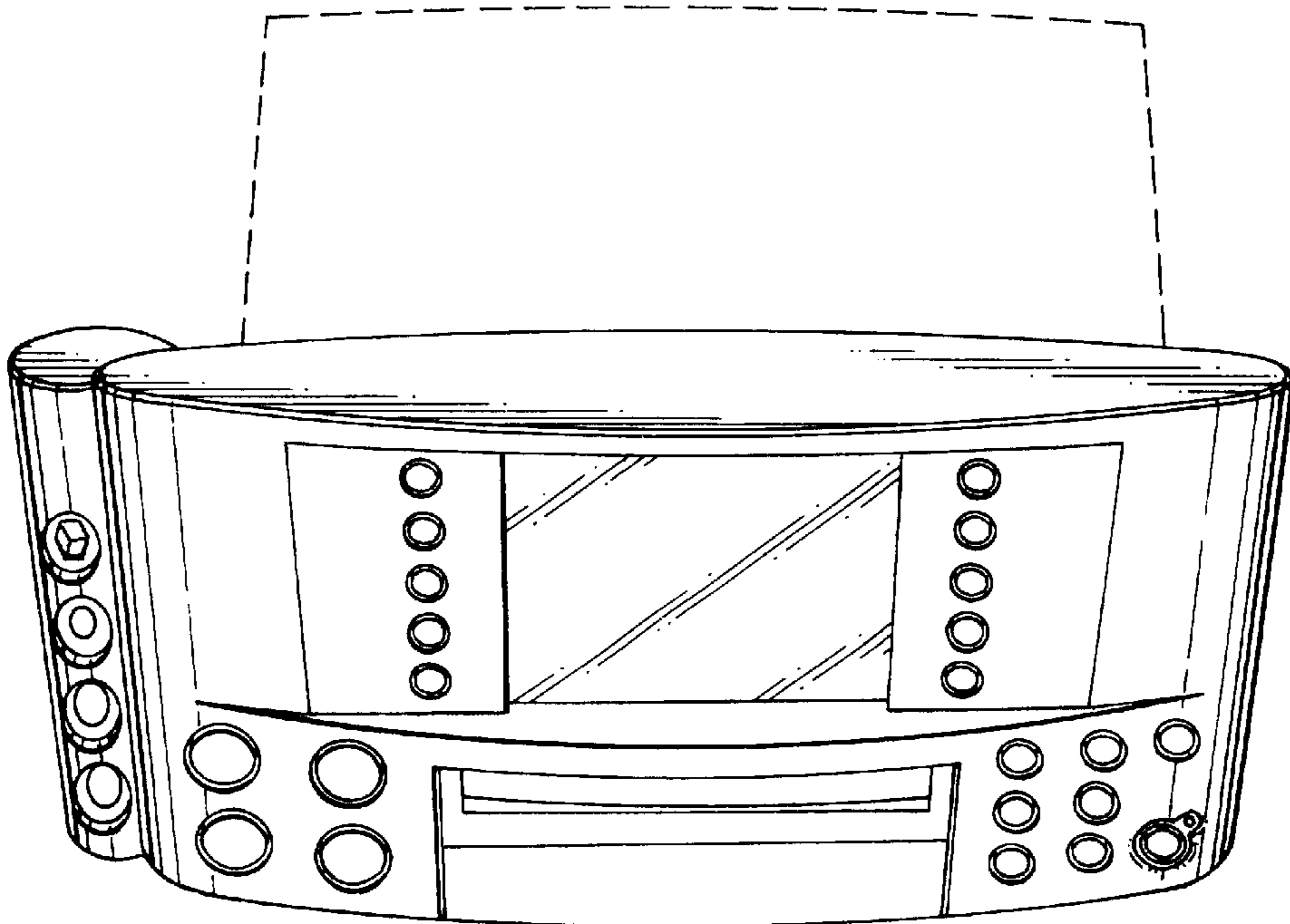


Fig.4.