



US00D443930S

(12) **United States Design Patent**
Nestenborg

(10) **Patent No.:** **US D443,930 S**

(45) **Date of Patent:** **** Jun. 19, 2001**

(54) **RECTAL INSERTION DEVICE**

(75) Inventor: **Daniel Nestenborg, Brännö (SE)**

(73) Assignee: **AstraZeneca AB, Sodertalje (SE)**

(**) Term: **14 Years**

(21) Appl. No.: **29/121,112**

(22) Filed: **Mar. 31, 2000**

(30) **Foreign Application Priority Data**

Oct. 6, 1999 (SE) 99-1806

(51) **LOC (7) Cl.** **24-02**

(52) **U.S. Cl.** **D24/141; D24/112; D24/135**

(58) **Field of Search** D24/141, 112,
D24/135, 140; 600/29, 184, 114, 102, 104,
105, 154, 158; 604/278, 275, 276, 355,
200, 328, 103.03, 271, 165

(56) **References Cited**

U.S. PATENT DOCUMENTS

D. 385,628 * 10/1997 Echevarria D24/135

3,132,645 * 5/1964 Gasper D24/135

3,842,834 * 10/1974 Vass 604/278

4,182,332 * 1/1980 Delaney 604/328

4,538,594 * 9/1985 Boebel et al. 600/102

* cited by examiner

Primary Examiner—Ian Simmons

(74) *Attorney, Agent, or Firm*—White & Case LLP

(57) **CLAIM**

The ornamental design for a rectal insertion device, as shown.

DESCRIPTION

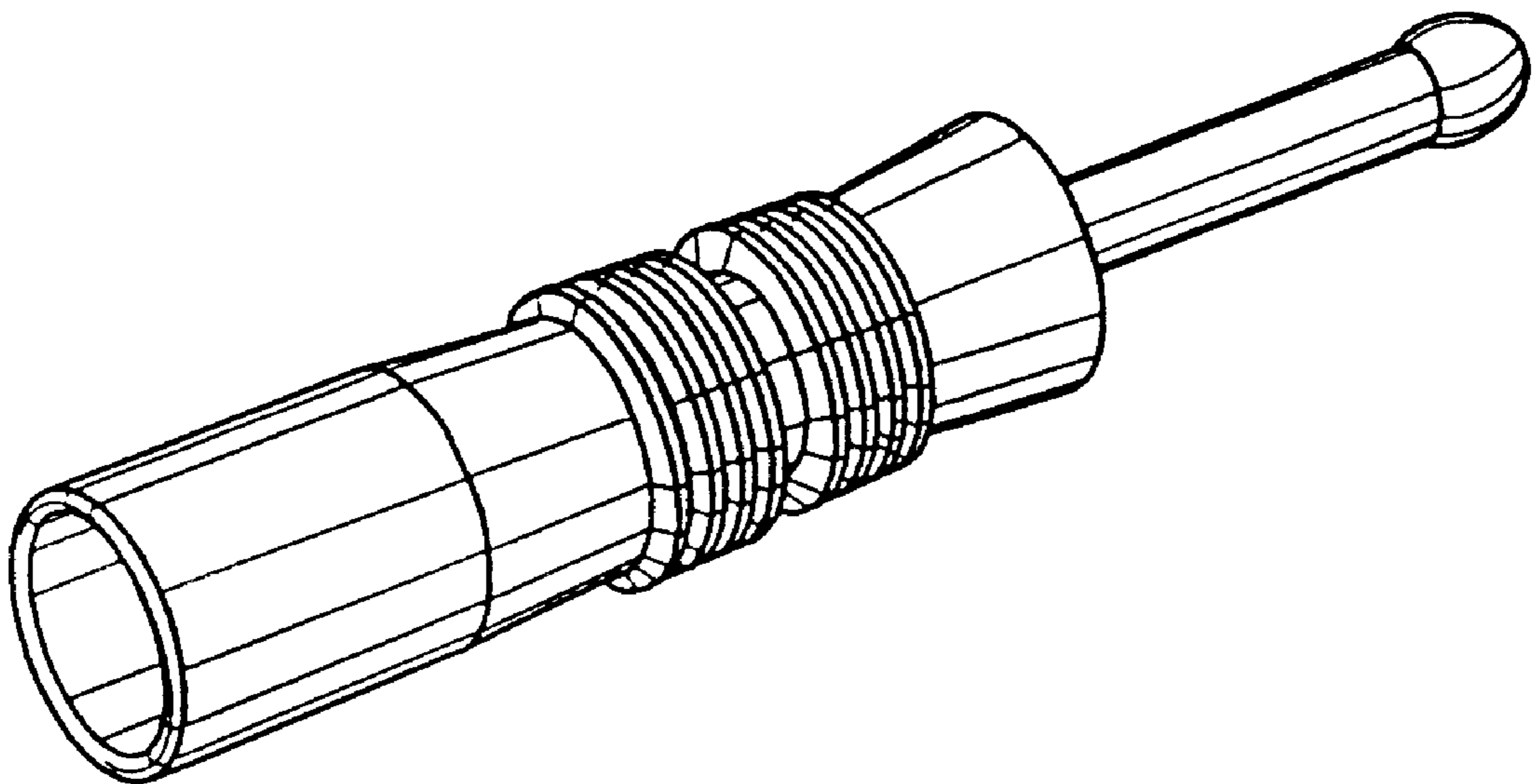
FIG. 1 is a perspective view of the rectal insertion device according to the present invention.

FIG. 2 is an end elevation view of the rectal insertion device.

FIG. 3 is an opposite end elevation view of the rectal insertion device; and,

FIG. 4 is a side elevation view of the rectal insertion device.

1 Claim, 1 Drawing Sheet



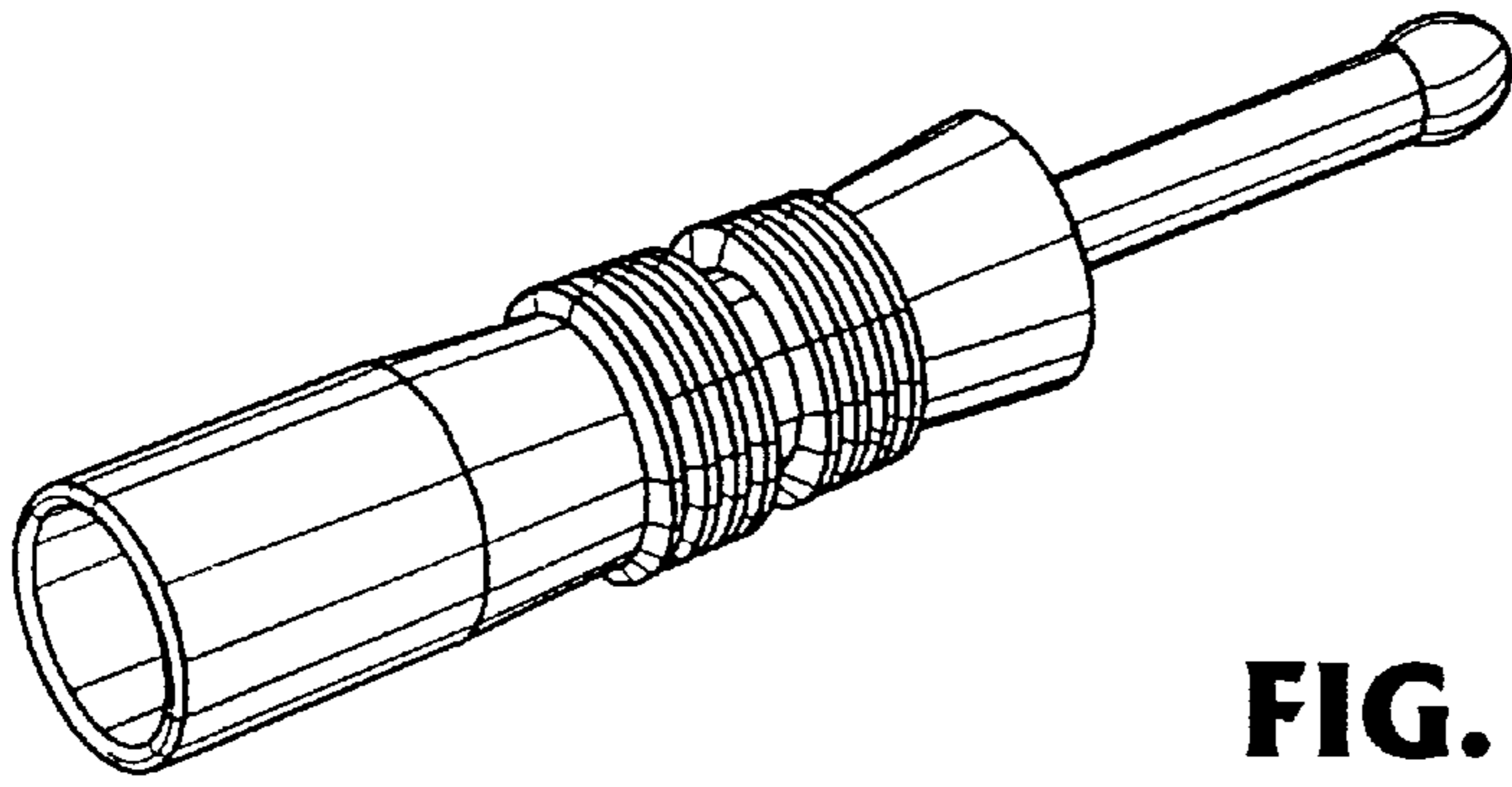


FIG. 1

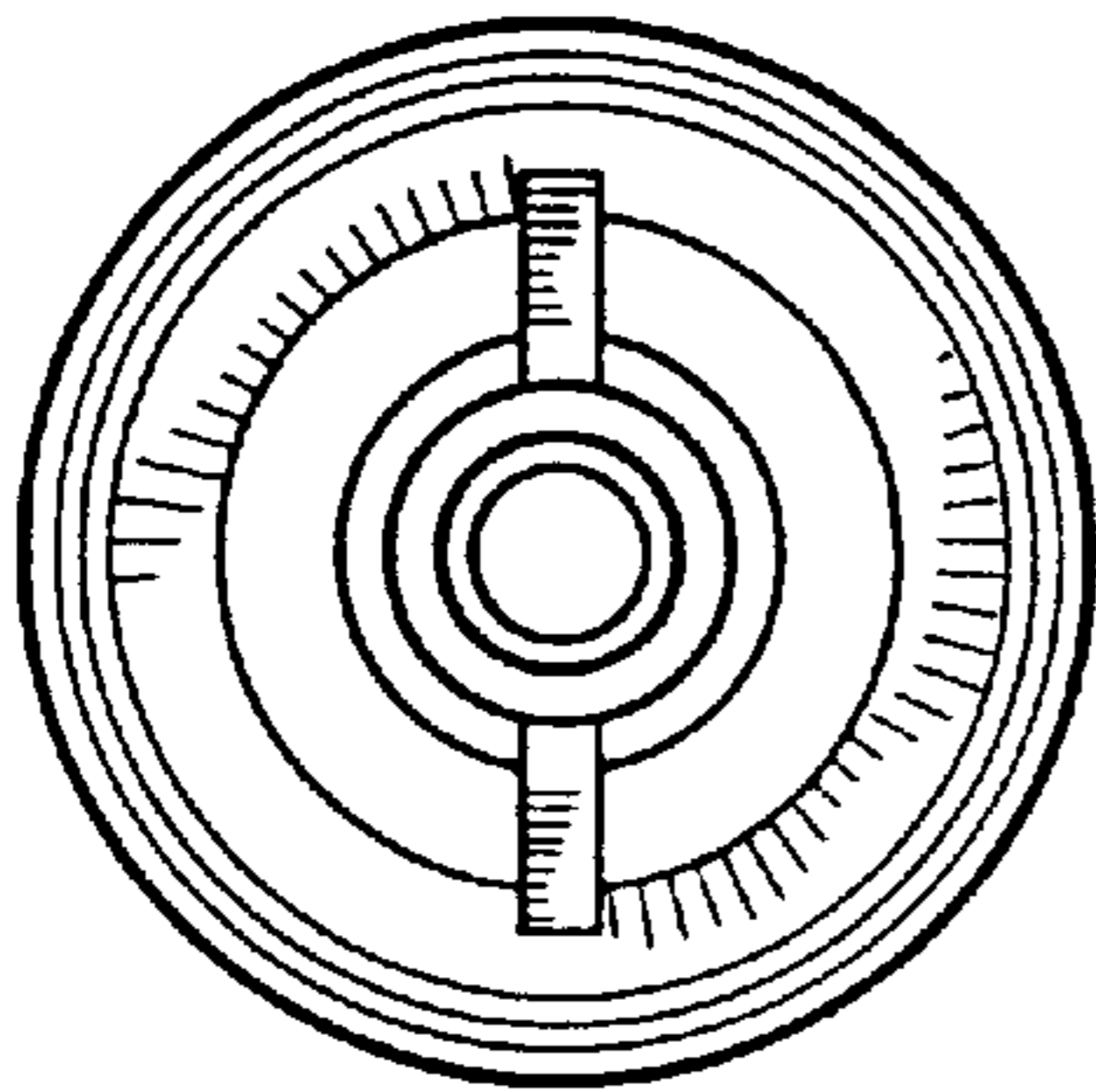


FIG. 3

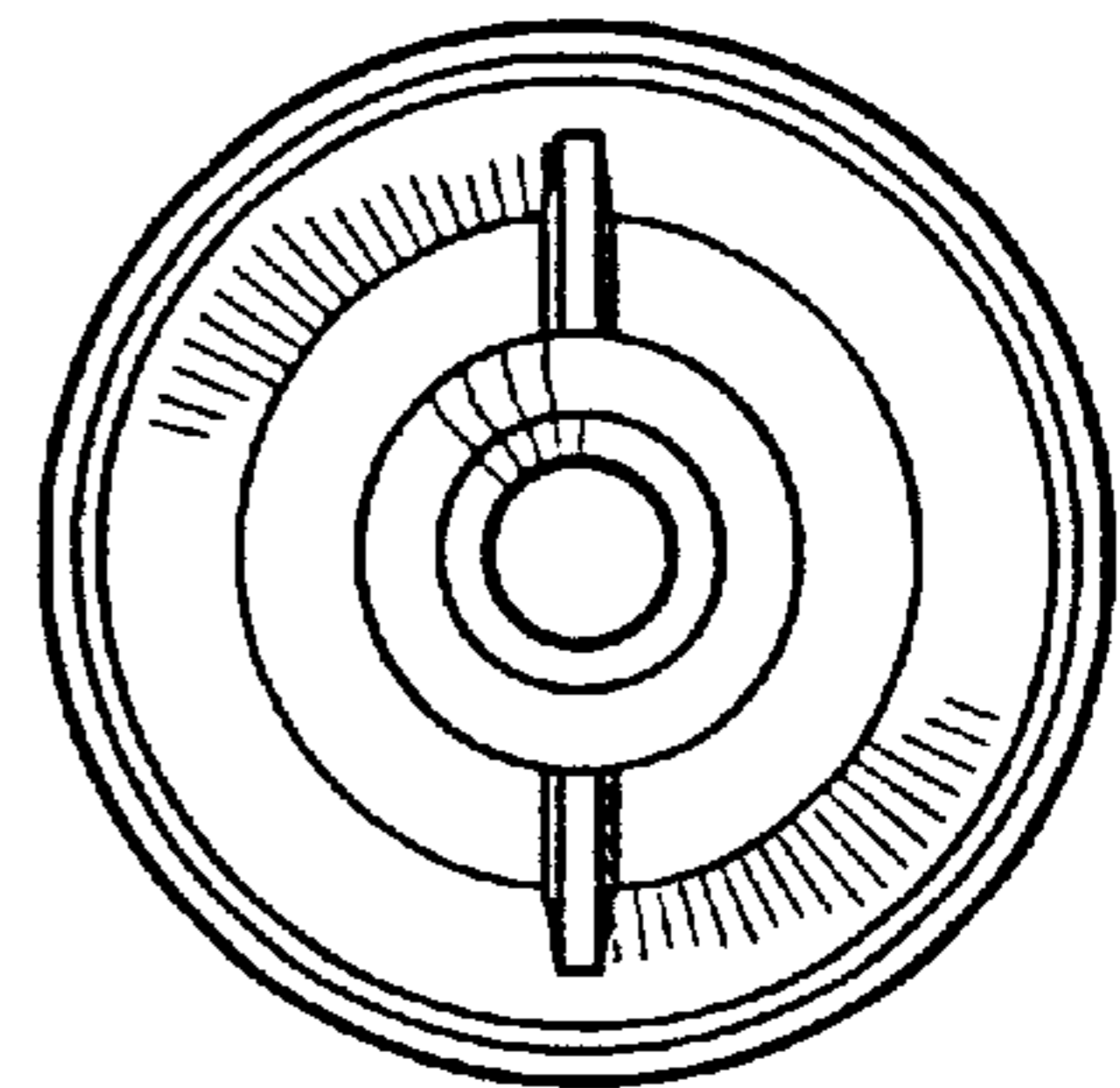


FIG. 2

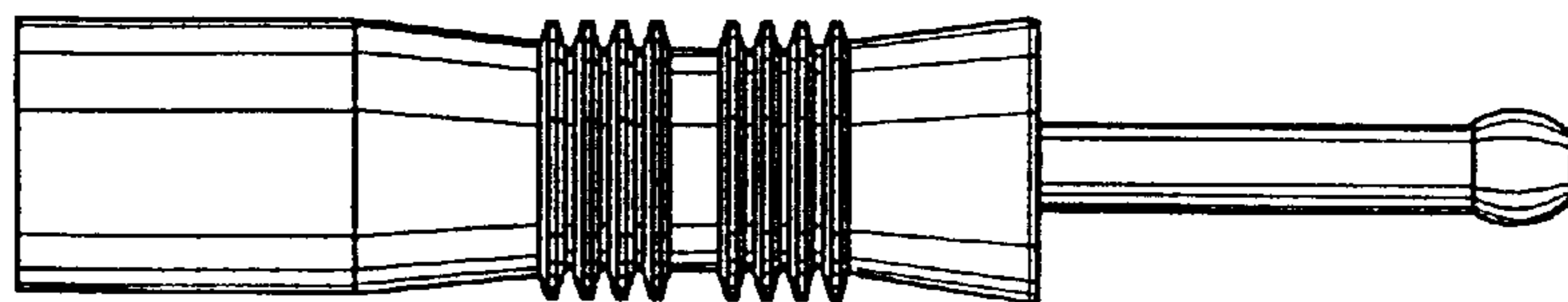


FIG. 4