



US00D443929S

(12) **United States Design Patent**
Wilkinson et al.

(10) **Patent No.:** **US D443,929 S**
(45) **Date of Patent:** **** Jun. 19, 2001**

(54) **SELF-SEALING VALVE PORT**
(75) Inventors: **Bradley Mark Wilkinson**, North Haledon; **Robert S. Golabek, Jr.**, Towaco, both of NJ (US)

(73) Assignee: **Becton Dickinson and Company**, Franklin Lakes, NJ (US)

(*) Notice: This patent is subject to a terminal disclaimer.

(**) Term: **14 Years**

(21) Appl. No.: **29/108,996**

(22) Filed: **Aug. 6, 1999**

(51) **LOC (7) Cl.** **24-02**

(52) **U.S. Cl.** **D24/129**

(58) **Field of Search** D23/233, 248, D23/260, 269, 262; D24/108, 112, 129; 137/843, 844; 251/12, 149.8, 149.6; 604/408, 246, 256, 537, 539, 19, 27, 167.04; 600/204

(56) **References Cited**

U.S. PATENT DOCUMENTS

D. 396,731	*	8/1998	Mirto	D24/129
3,343,566	*	9/1967	Luckenbill	137/843
3,976,278	*	8/1976	Dye et al.	251/149.6
4,946,133	*	8/1990	Johnson et al.	137/844
5,100,394		3/1992	Dudar et al.	604/283

5,158,554	10/1992	Jepson et al.	604/283
5,167,648	12/1992	Jepson et al.	604/283
5,171,234	12/1992	Jepson et al.	604/283
5,188,620	2/1993	Jepson et al.	604/283
5,211,638	5/1993	Dudar et al.	604/283
5,330,437	7/1994	Durman	604/167
5,356,039	* 10/1994	Christine et al.	137/844
5,429,619	* 7/1995	Furnish	604/537
5,453,095	* 9/1995	Davila et al.	604/167.04
5,649,907	* 7/1997	Mori et al.	604/408
5,865,728	* 2/1999	Moll et al.	600/204

* cited by examiner

Primary Examiner—Ian Simmons

(74) *Attorney, Agent, or Firm*—Nanette S. Thomas; Keith J. McWha

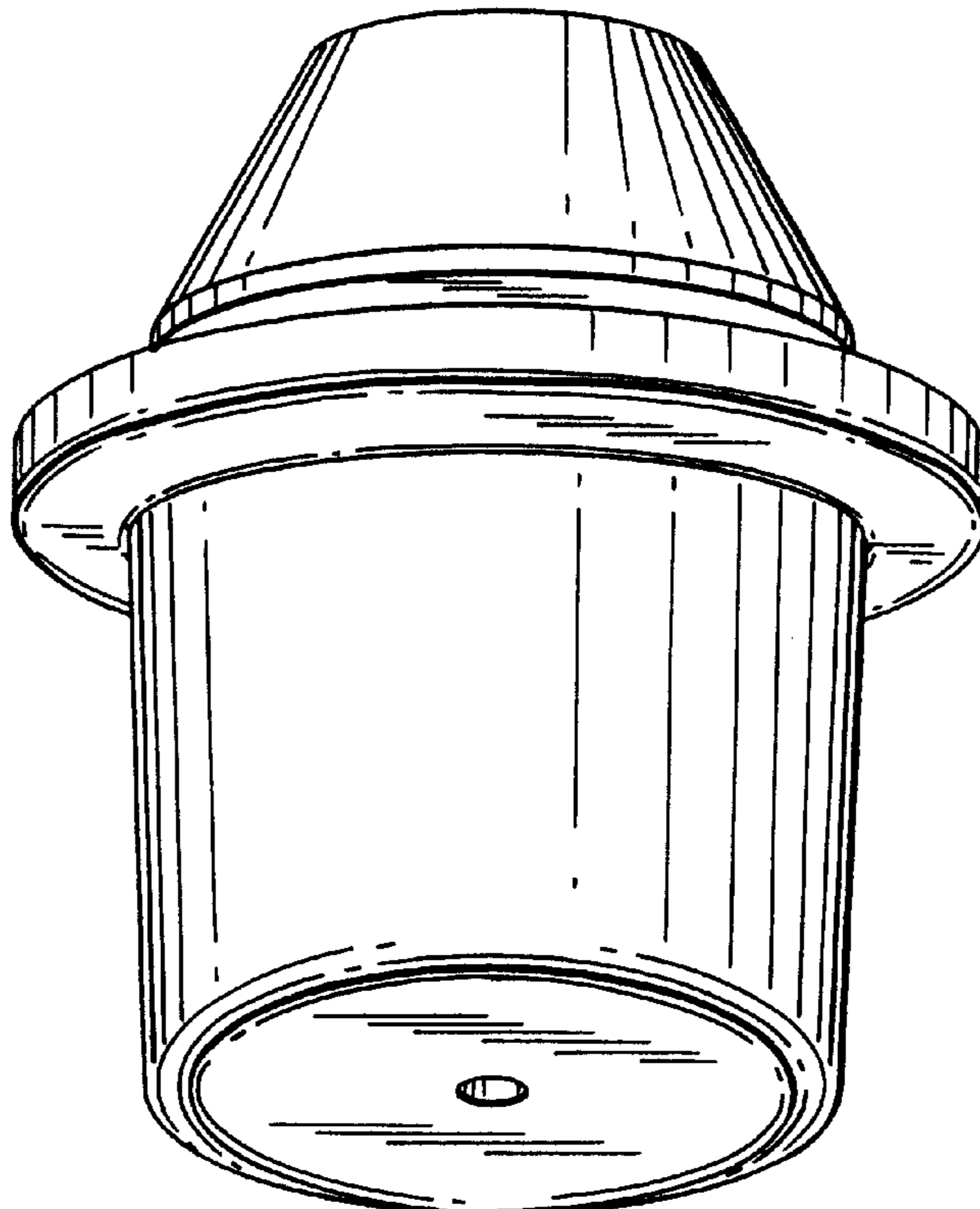
(57) **CLAIM**

The ornamental design for a self-sealing valve port, as shown and described.

DESCRIPTION

FIG. 1 is a perspective view of a self-sealing valve port, showing our design;
FIG. 2 is a top view of the port of FIG. 1;
FIG. 3 is a front view of the port of FIG. 1, the rear view being a mirror image thereof;
FIG. 4 is a bottom view of the port of FIG. 1; and,
FIG. 5 is a cross-section view of the port taken along line 5—5 in FIG. 2.

1 Claim, 2 Drawing Sheets



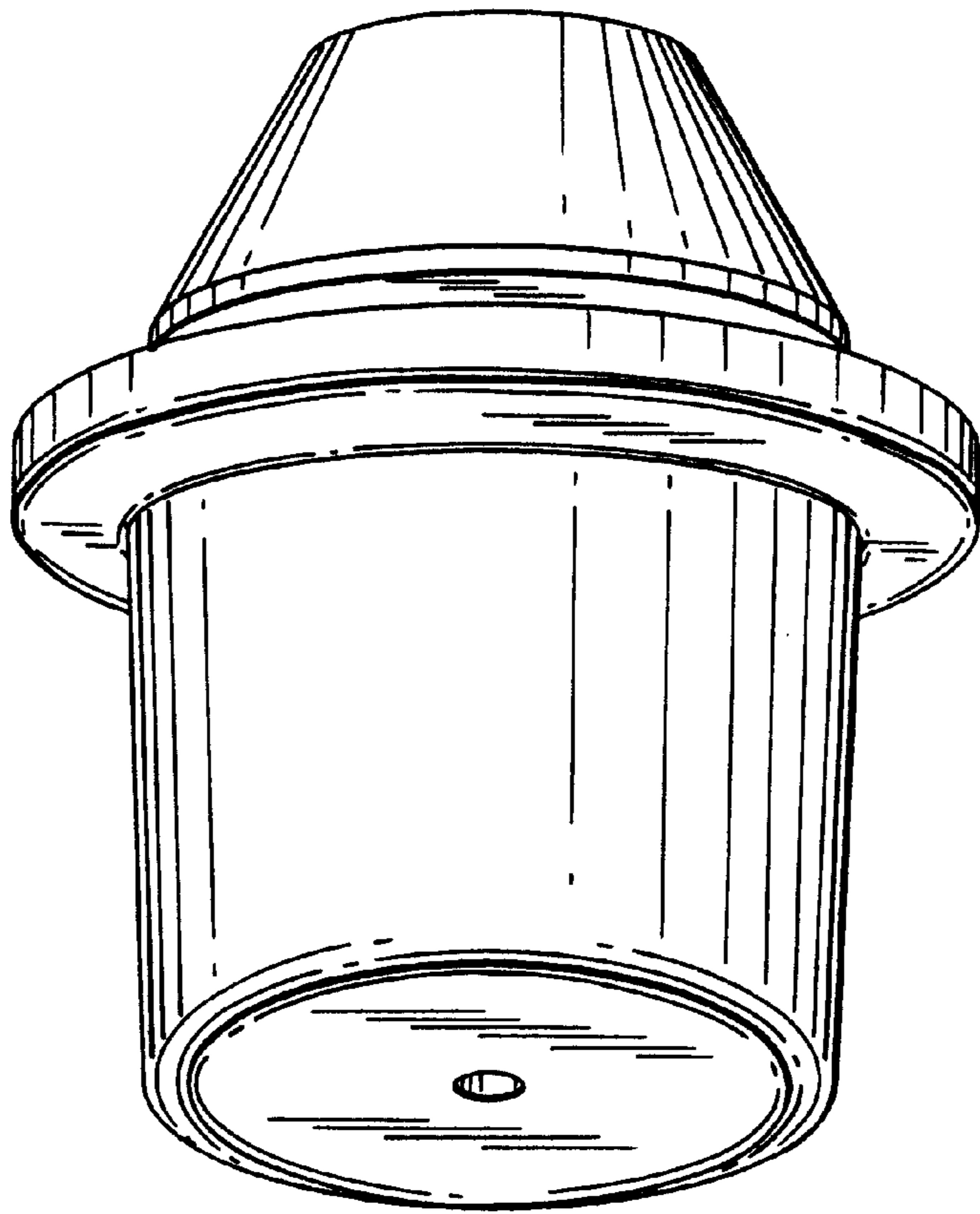


FIG. 1

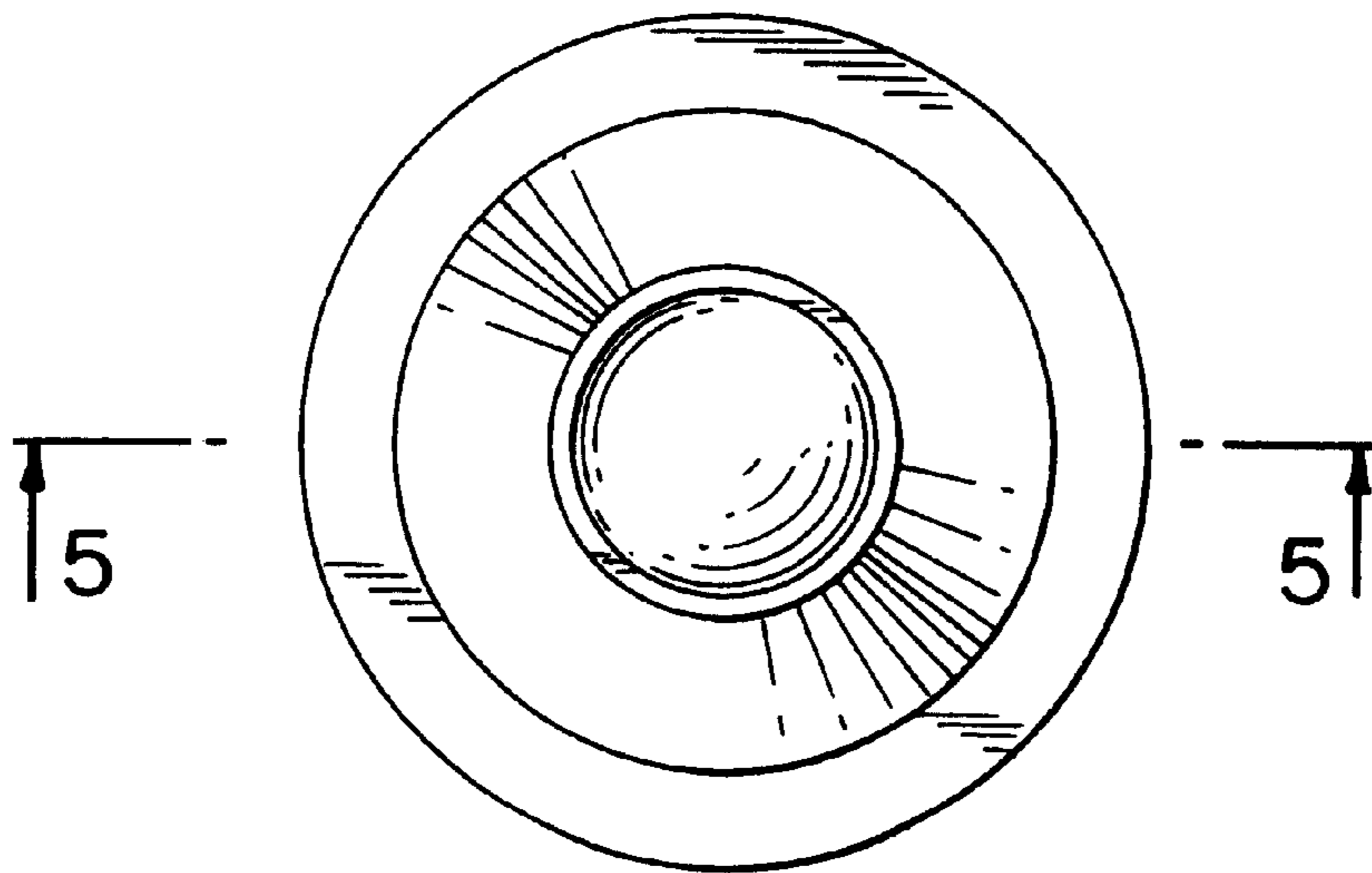


FIG. 2

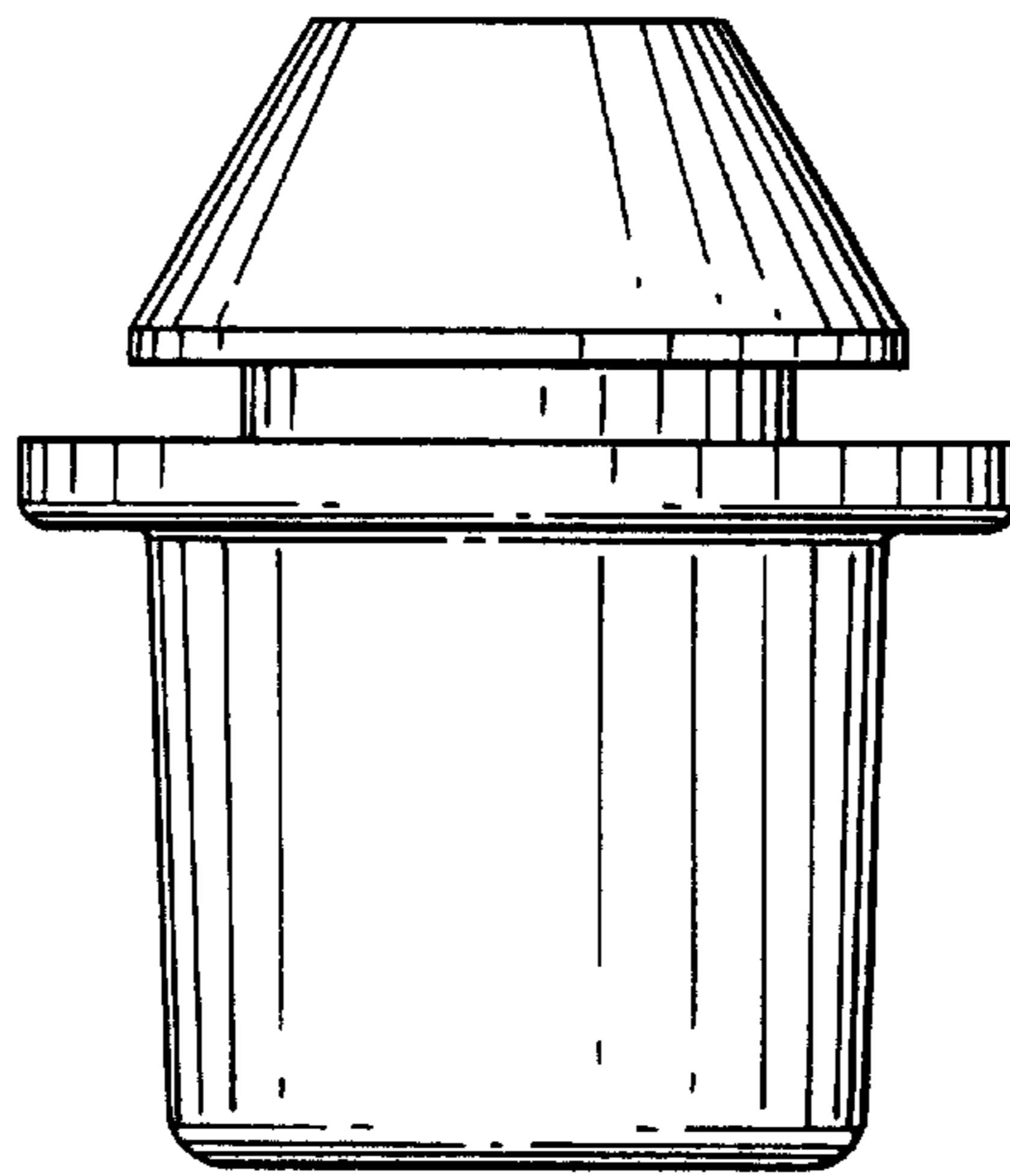


FIG. 3

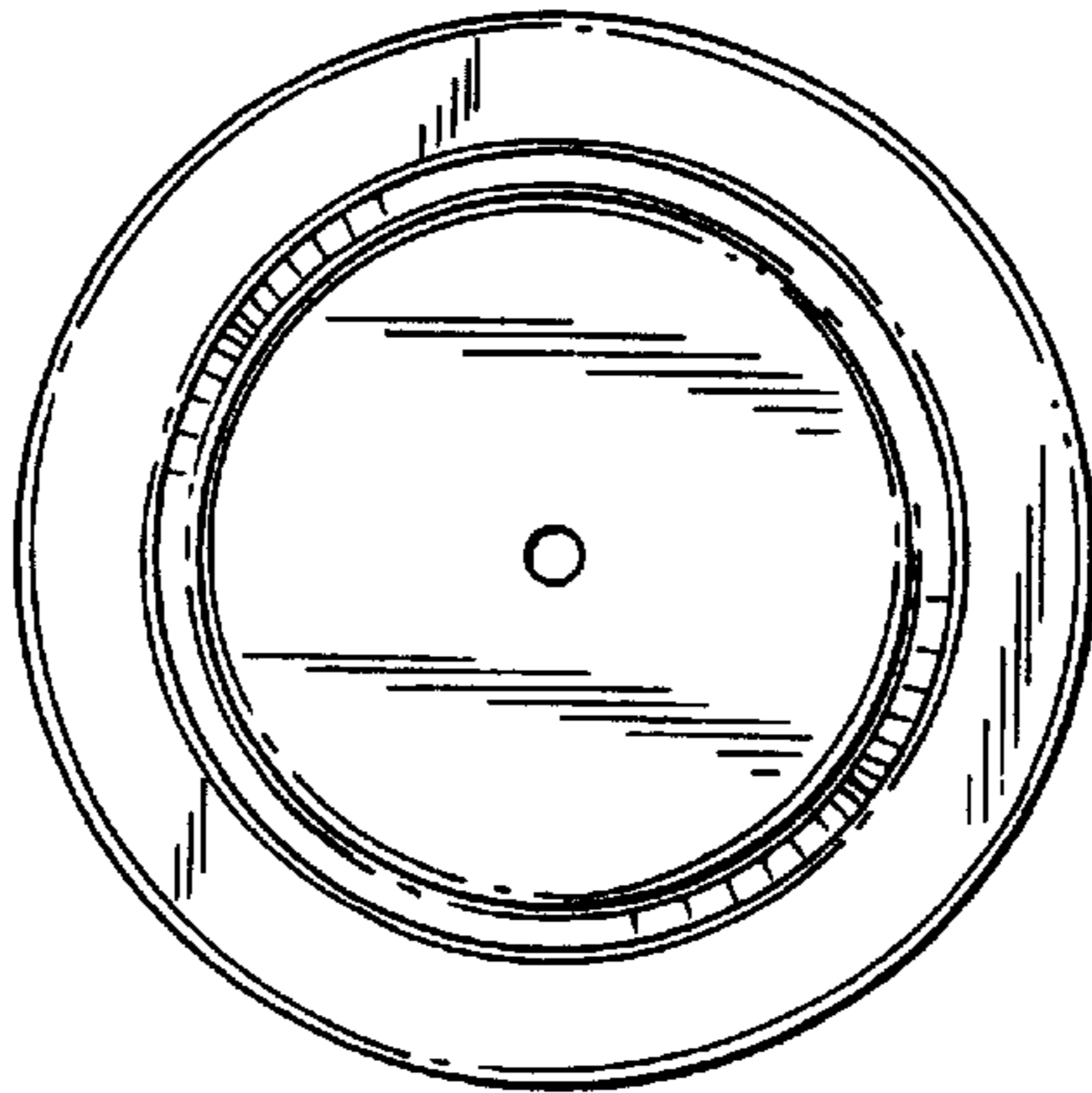


FIG. 4

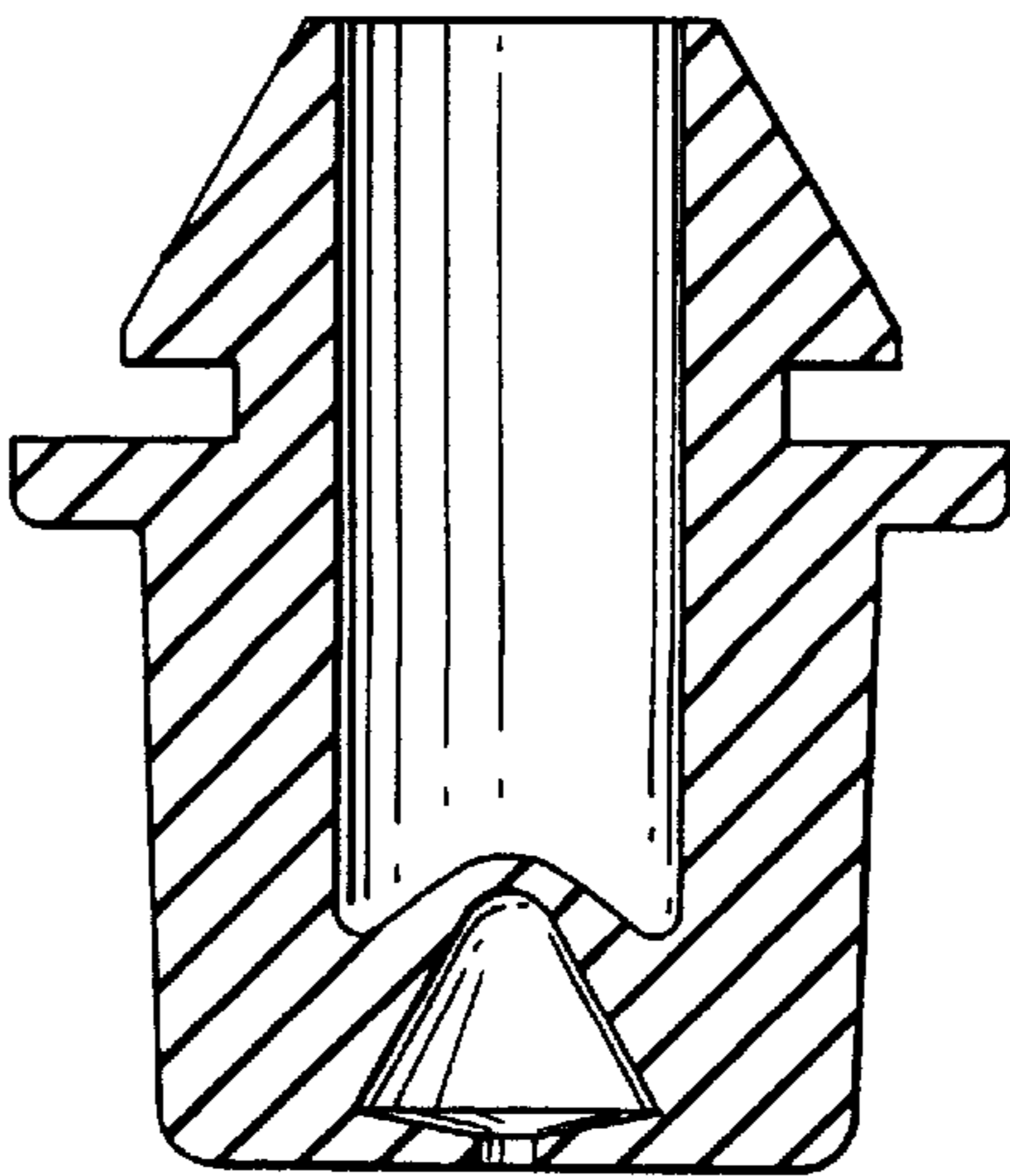


FIG. 5