



US00D443923S

(12) **United States Design Patent**
Nilsson

(10) **Patent No.:** **US D443,923 S**

(45) **Date of Patent:** **** Jun. 19, 2001**

(54) **ELECTRONIC FILTER WITH HOLDER**

(75) Inventor: **Göran Nilsson, Västervik (SE)**

(73) Assignee: **Aktiebolaget Electrolux, Stockholm (SE)**

(**) Term: **14 Years**

(21) Appl. No.: **29/098,853**

(22) Filed: **Jan. 7, 1999**

(30) **Foreign Application Priority Data**

Jul. 9, 1998 (SE) 981395

(51) **LOC (7) Cl.** **23-04**

(52) **U.S. Cl.** **D23/365**

(58) **Field of Search** **D23/365, 355;**
55/357, 494

(56) **References Cited**

U.S. PATENT DOCUMENTS

D. 380,536 * 7/1997 Ellwood D23/365
3,581,476 * 6/1971 Rivers 55/357
4,511,380 * 4/1985 Fetter 55/357

* cited by examiner

Primary Examiner—Lisa Lichtenstein
(74) *Attorney, Agent, or Firm*—Pearne & Gordon LLP

(57) **CLAIM**

The ornamental design for an electronic filter with holder, as shown and described.

DESCRIPTION

FIG. 1 is a front, top perspective view of the filter portion of an electronic filter with holder shown separately for clarity of illustration.

FIG. 2 is a rear, bottom perspective view of FIG. 1.

FIG. 3 is a left, top perspective view of FIG. 1, the right, top perspective view being a mirror image thereof.

FIG. 4 is a top view of FIG. 1.

FIG. 5 is a bottom view of FIG. 1.

FIG. 6 is a front, top perspective view of the filter holder portion of an electronic filter with holder shown separately for clarity of illustration.

FIG. 7 is a rear, bottom perspective view of FIG. 6.

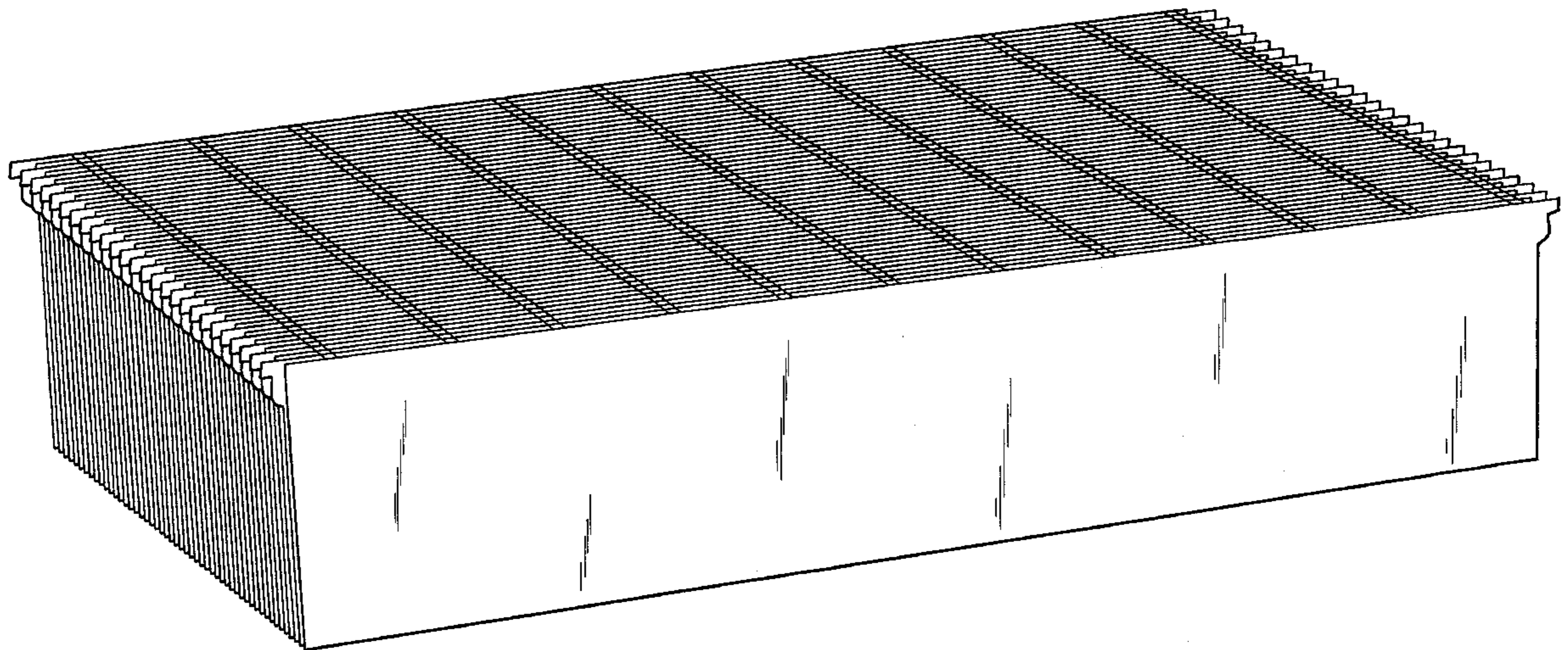
FIG. 8 is a front, top perspective view of an electronic filter with holder showing my new design.

FIG. 9 is a rear, bottom perspective view of FIG. 8.

FIG. 10 is a top view of FIG. 8; and,

FIG. 11 is a bottom view of FIG. 8.

1 Claim, 11 Drawing Sheets



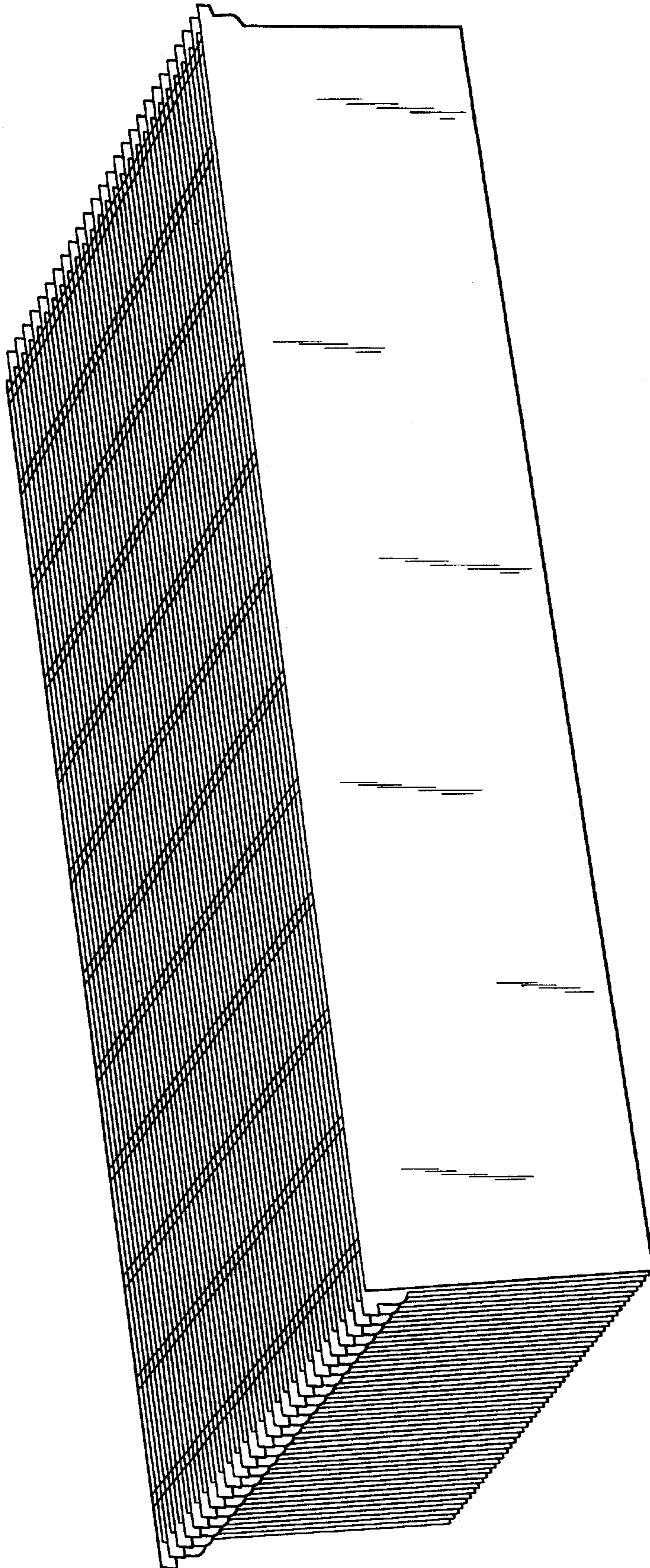


FIG. 1

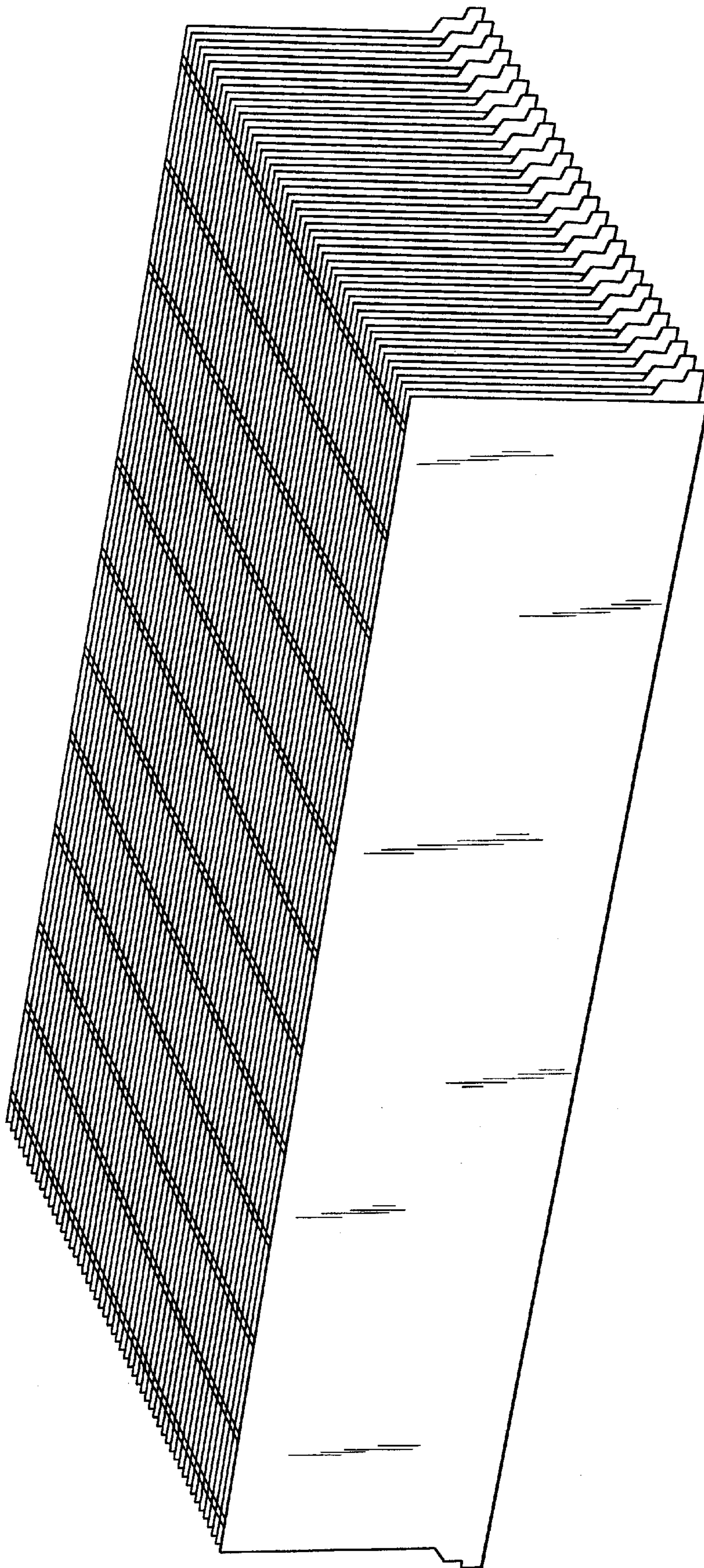


FIG. 2

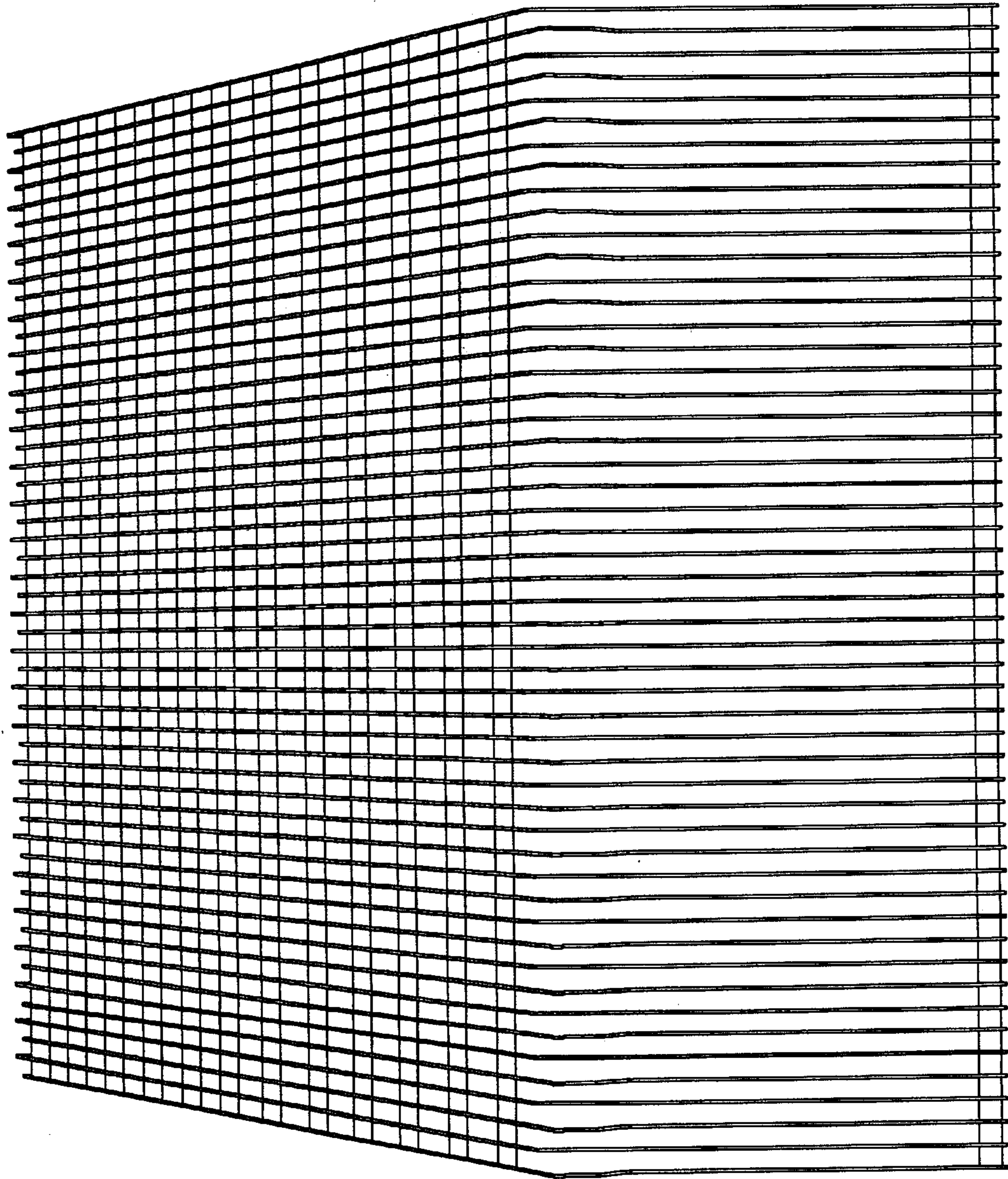


FIG. 3

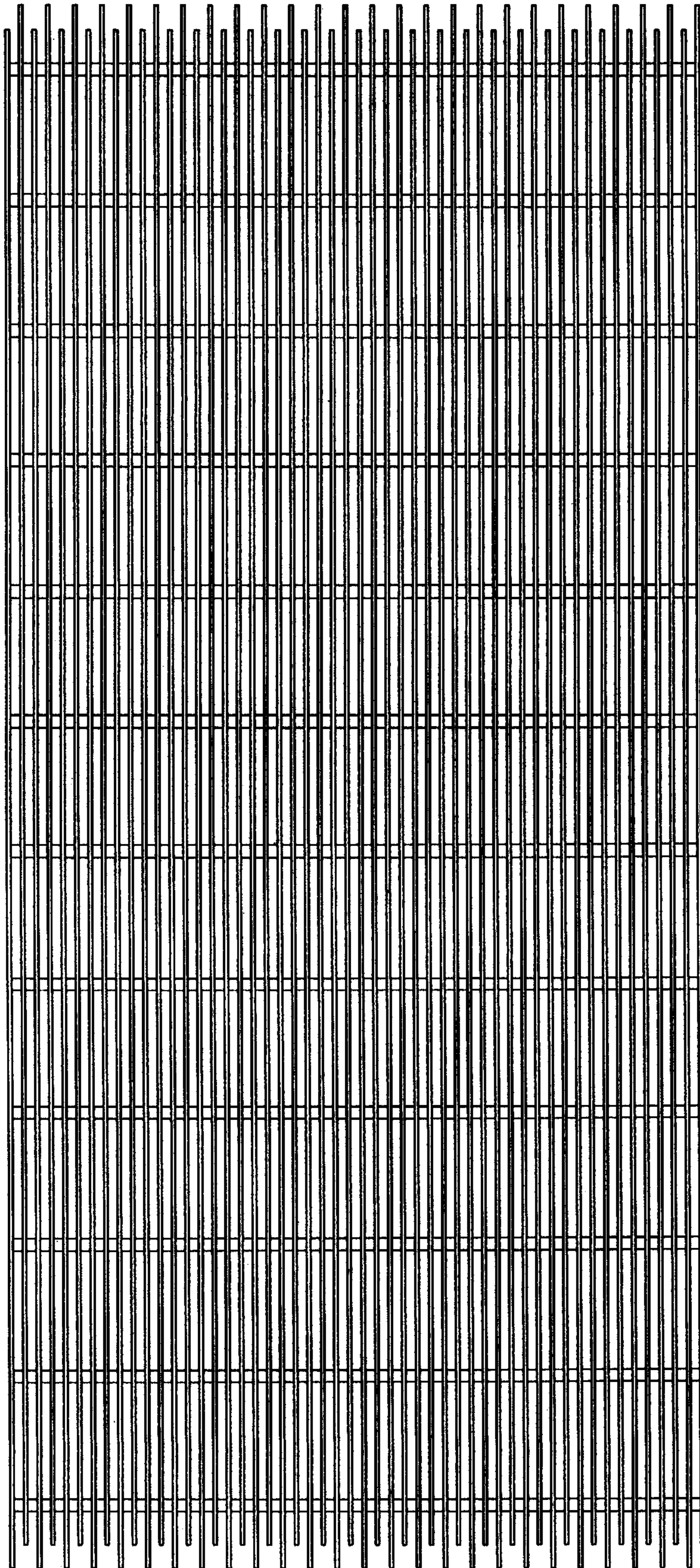


FIG. 4

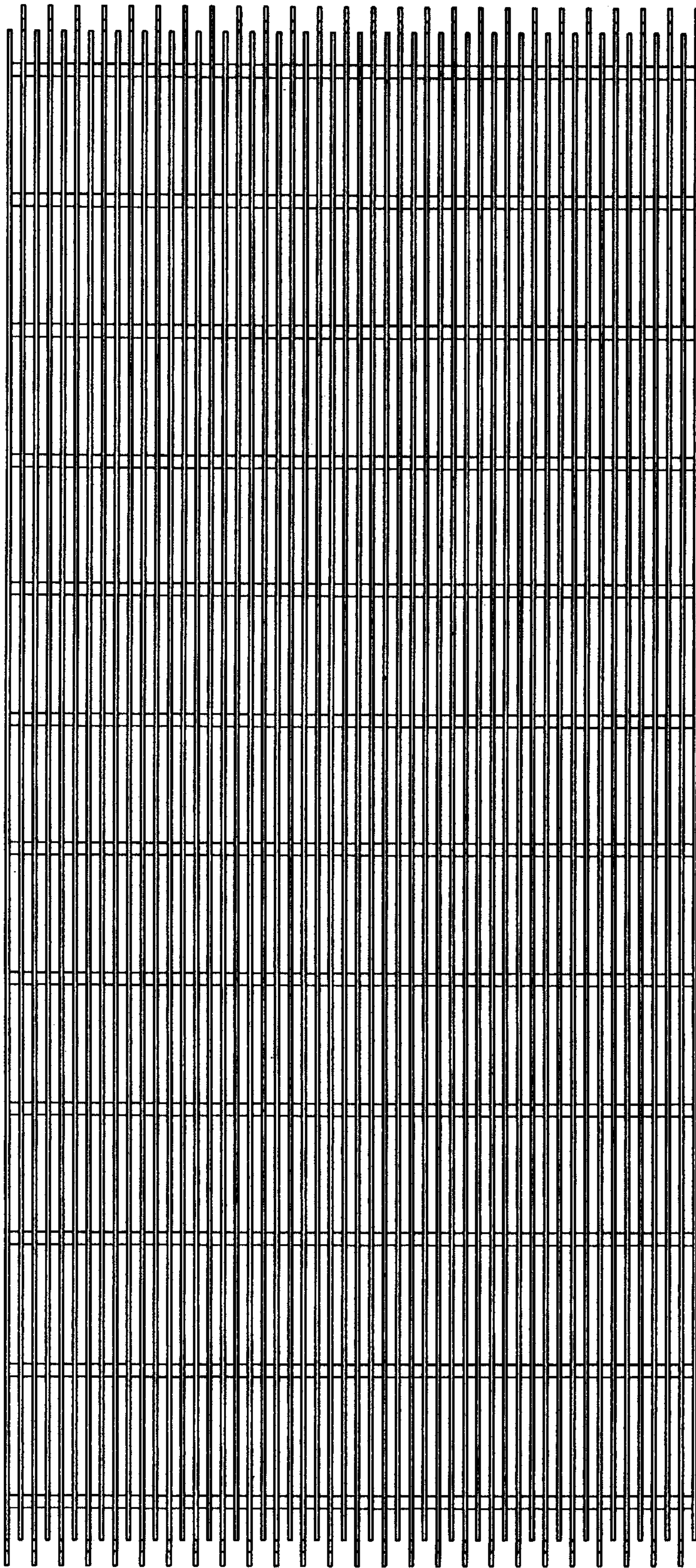


FIG. 5

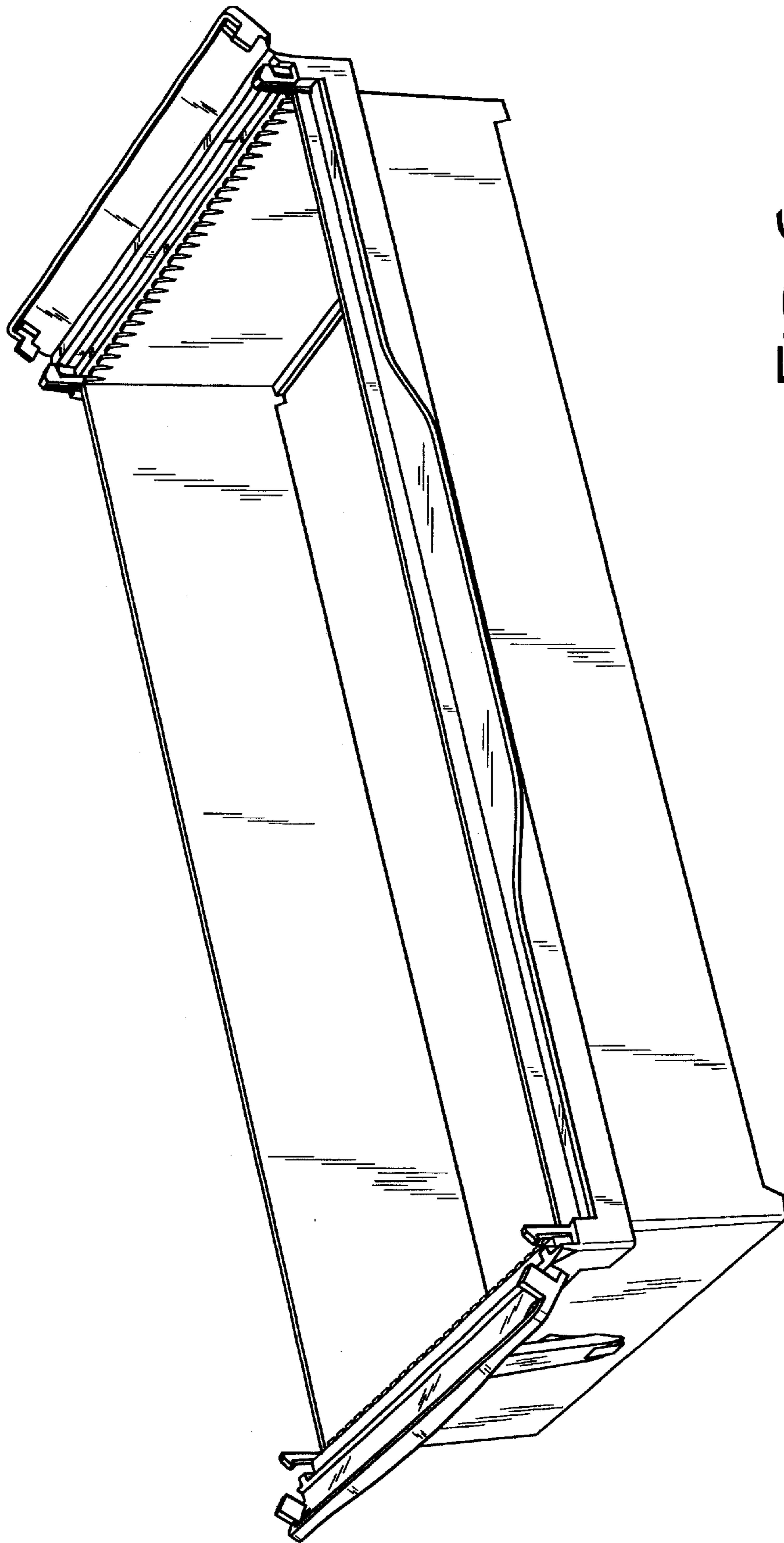


FIG. 6

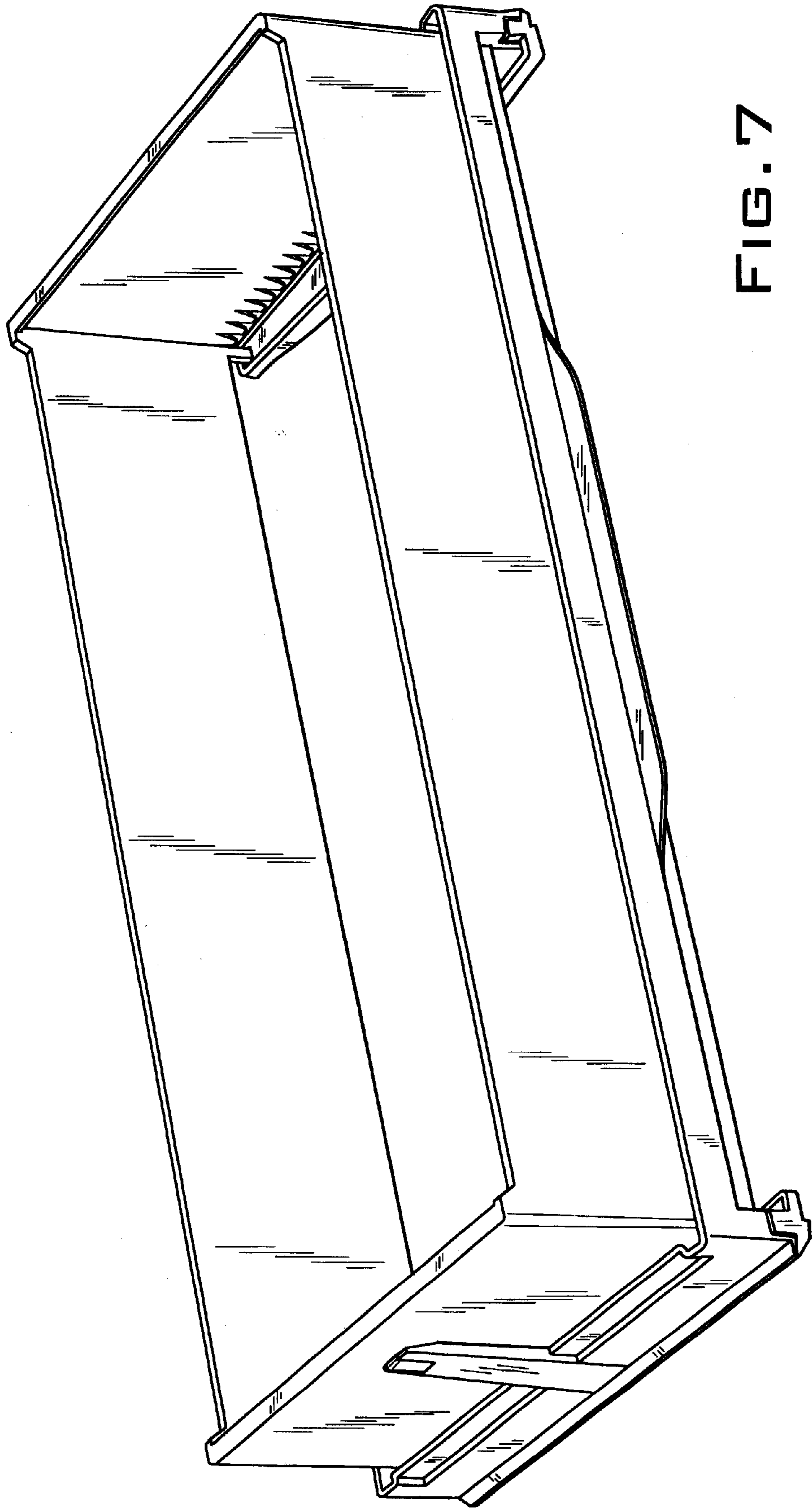


FIG. 7

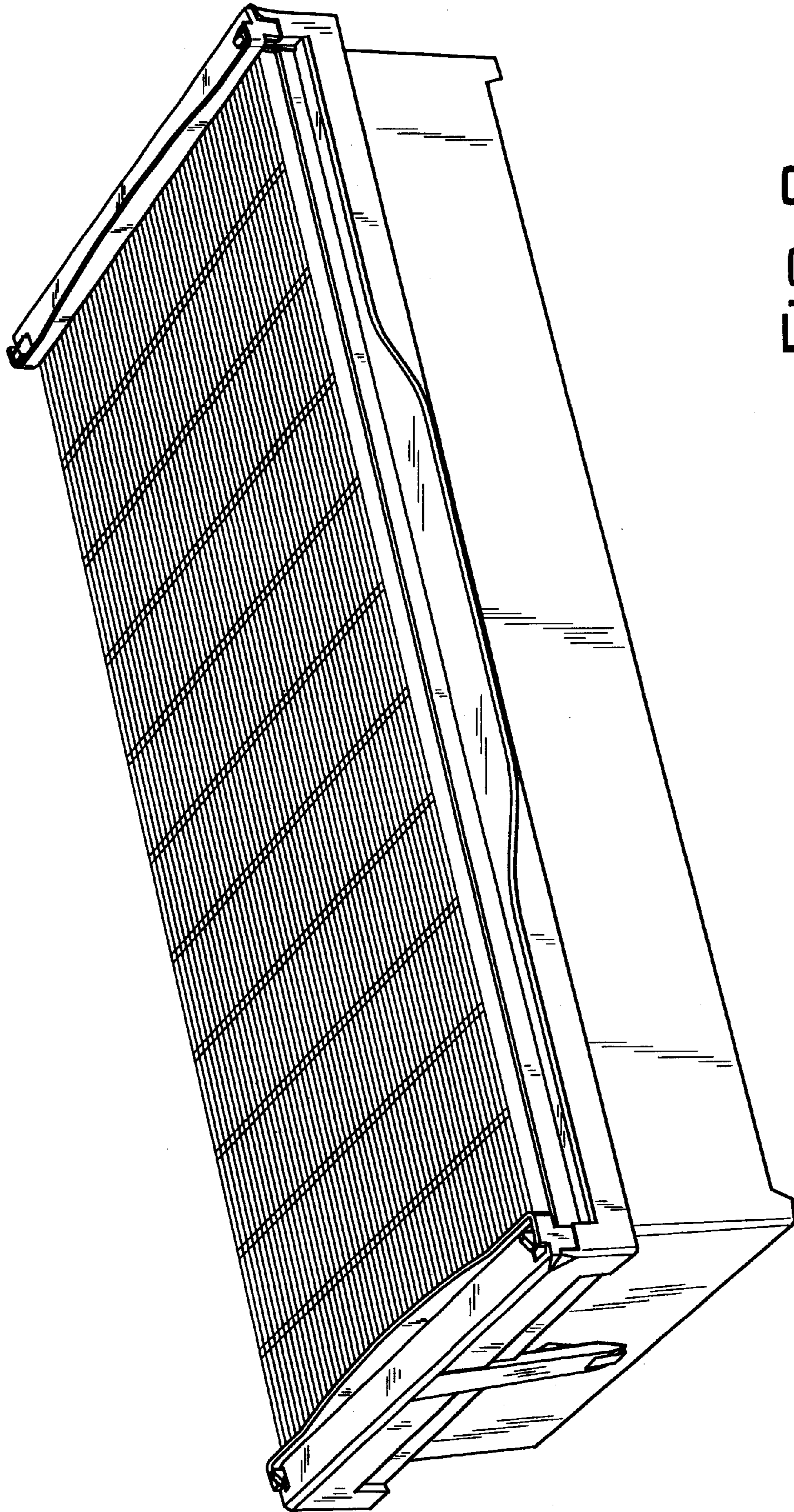


FIG. 8

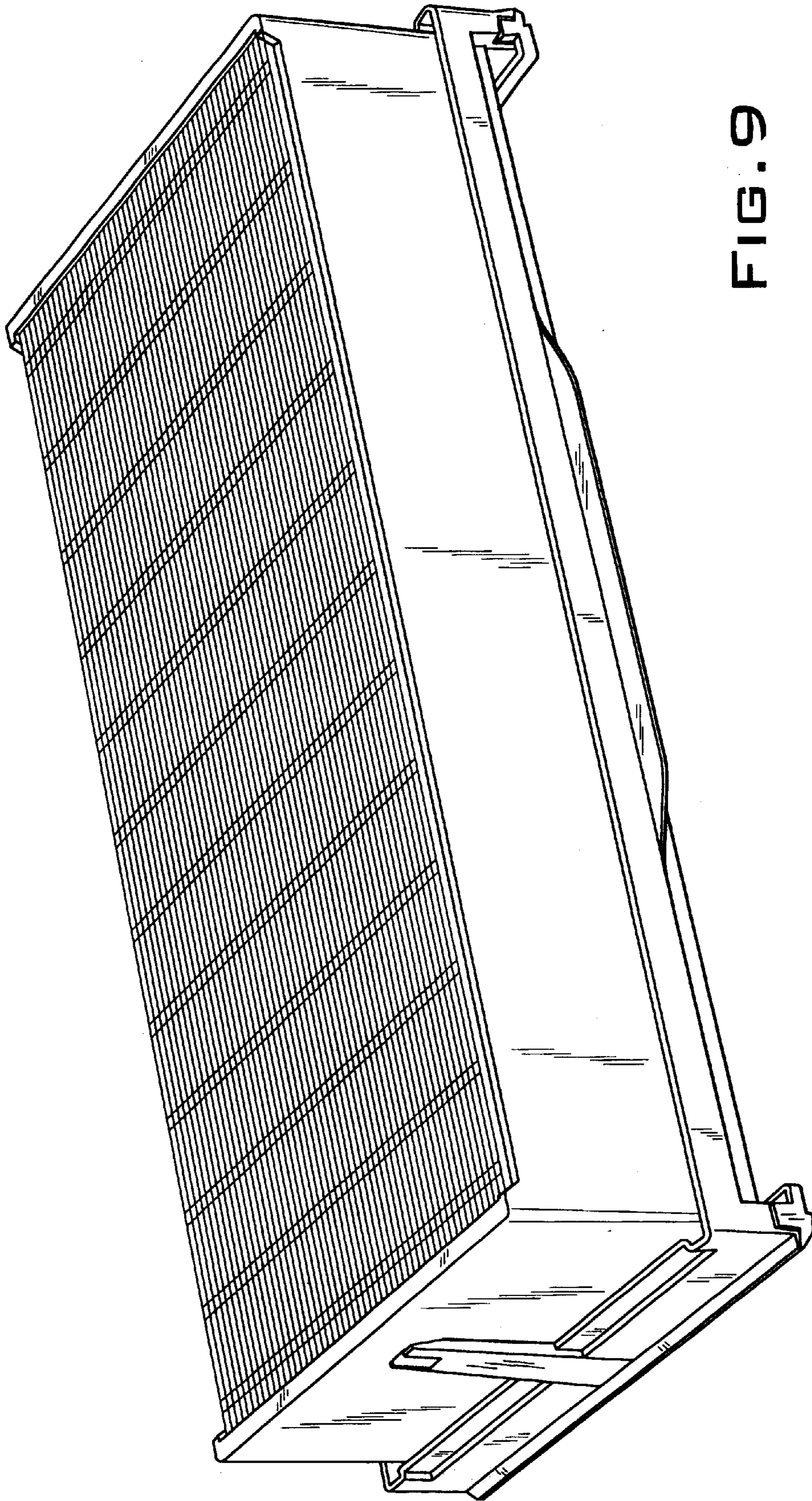


FIG. 9

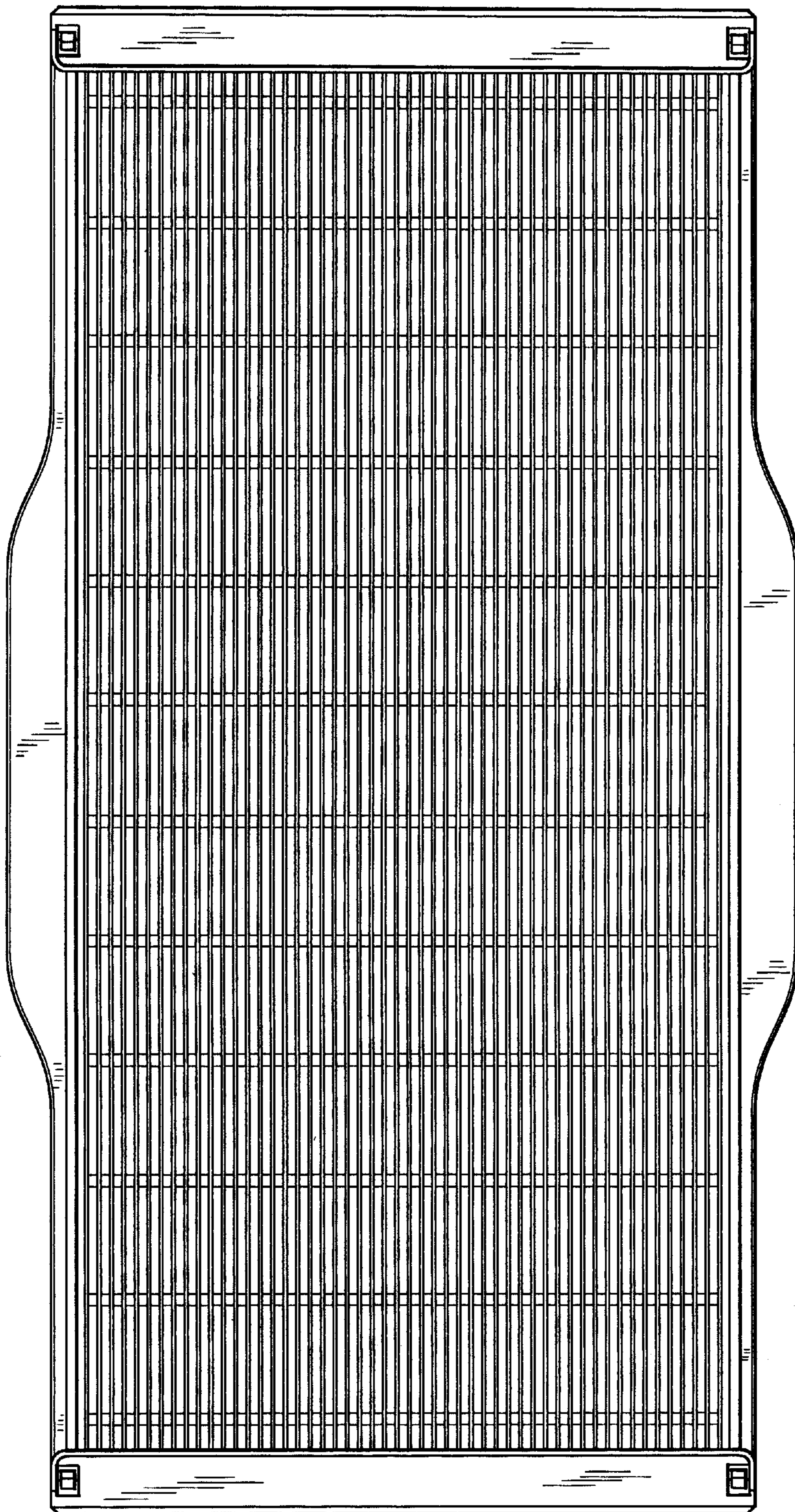


FIG. 10

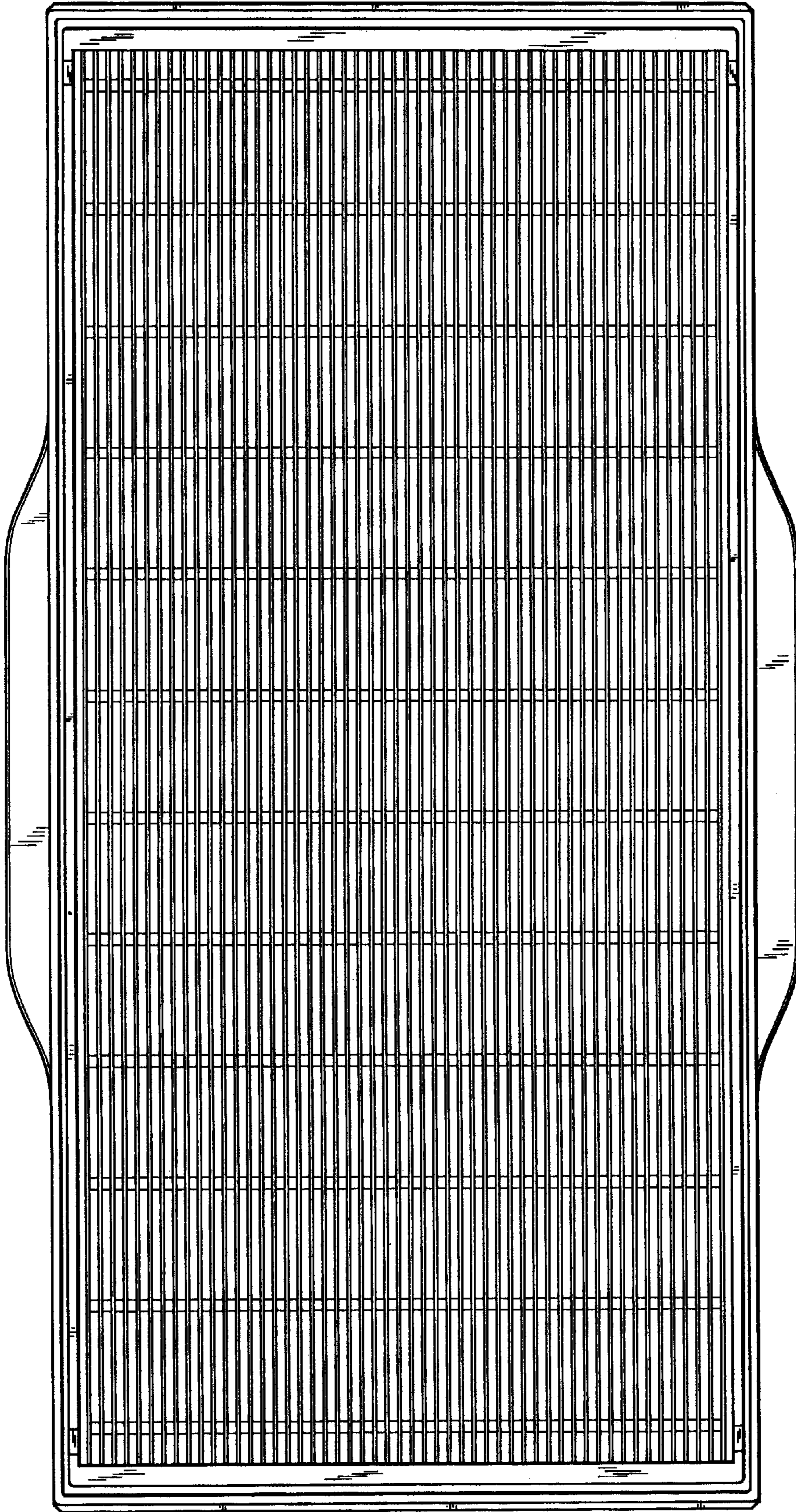


FIG. 11