



US00D443919S

(12) **United States Design Patent**  
**Lord**

(10) **Patent No.:** **US D443,919 S**

(45) **Date of Patent:** **\*\* Jun. 19, 2001**

(54) **FAUCET HANDLE**

(75) **Inventor:** **Judd A. Lord, Carmel, IN (US)**

(73) **Assignee:** **Masco Corporation of Indiana, Indianapolis, IN (US)**

(\*) **Notice:** This patent is subject to a terminal disclaimer.

(\*\*) **Term:** **14 Years**

(21) **Appl. No.:** **29/117,790**

(22) **Filed:** **Jan. 31, 2000**

(51) **LOC (7) Cl.** ..... **23-01**

(52) **U.S. Cl.** ..... **D23/252; D23/250**

(58) **Field of Search** ..... D23/238-243,  
D23/249-254; D8/300-303, 308, 321, DIG. 3;  
4/675-678; 16/110 R; 137/801

(56) **References Cited**

**U.S. PATENT DOCUMENTS**

- D. 44,107 \* 5/1913 Newton ..... D23/238
- D. 60,347 \* 2/1922 Kersten ..... D23/241
- D. 81,026 \* 4/1930 Schnell ..... D23/308
- D. 303,490 \* 9/1989 Mosch ..... D8/321
- D. 349,208 \* 8/1994 Bollenbacher ..... D23/254
- D. 349,328 \* 8/1994 Bollenbacher ..... D23/252
- D. 355,578 \* 2/1995 Mark et al. .... D8/308

- D. 357,525 \* 4/1995 Fabian ..... D23/252
- D. 365,384 \* 12/1995 Robbins ..... D23/252
- D. 372,764 \* 8/1996 Dubin ..... D23/254
- D. 378,231 \* 2/1997 Dubin ..... D23/252
- D. 391,831 \* 3/1998 Doughty et al. .... D8/321
- D. 392,720 \* 3/1998 Doughty et al. .... D23/250
- D. 407,466 \* 3/1999 Hundley et al. .... D23/252

\* cited by examiner

*Primary Examiner*—Louis S. Zarfaz

*Assistant Examiner*—Gregory Andoll

(74) *Attorney, Agent, or Firm*—Myron B. Kapustij; Lloyd D. Doigan

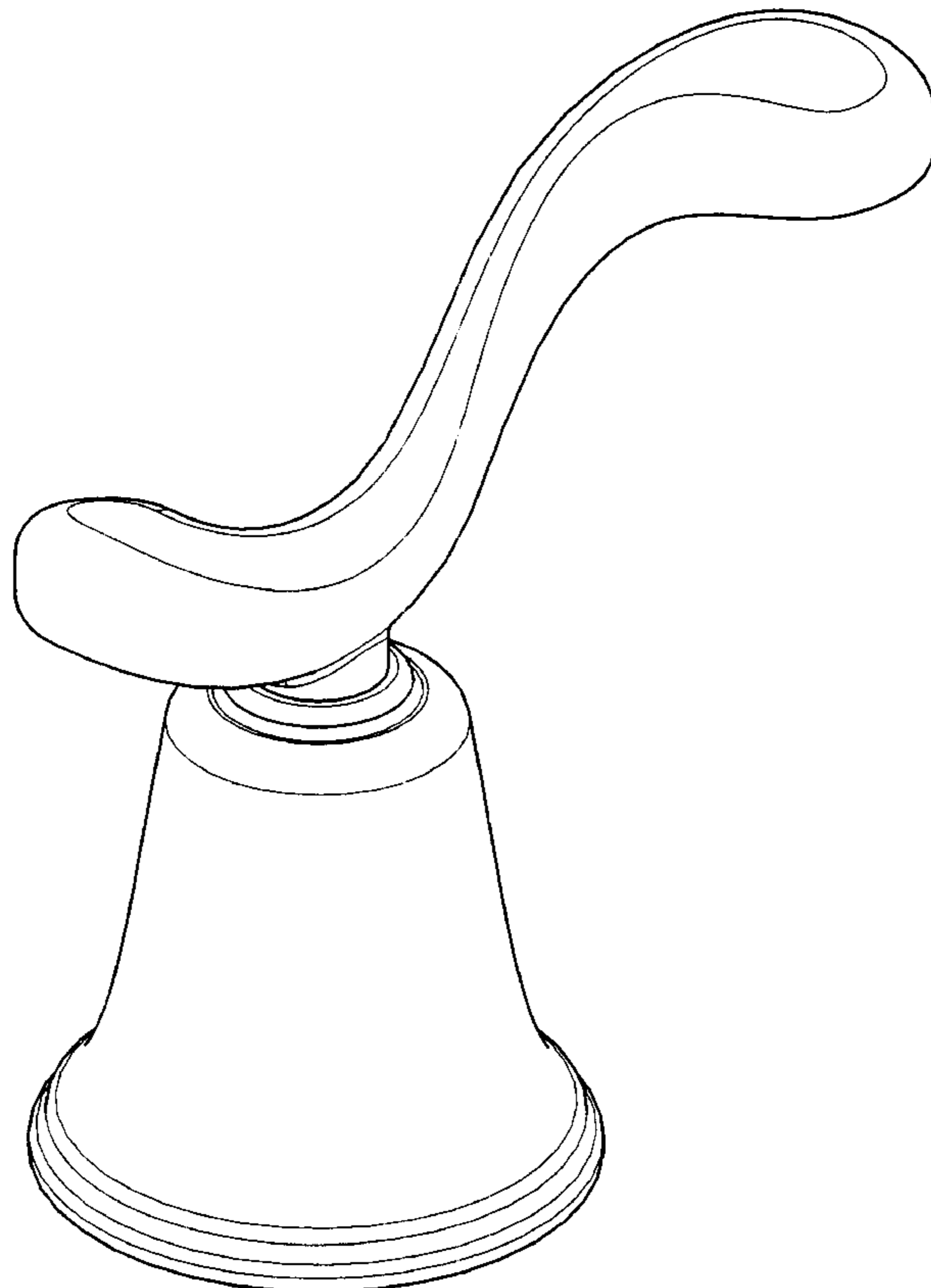
(57) **CLAIM**

The ornamental design for a faucet handle, as shown and described.

**DESCRIPTION**

FIG. 1 is a front perspective view of the faucet handle showing my new design;  
 FIG. 2 is a rear perspective view thereof;  
 FIG. 3 is a front elevational view thereof;  
 FIG. 4 is a top plan view thereof;  
 FIG. 5 is a rear elevational view thereof;  
 FIG. 6 is a right side elevational view thereof;  
 FIG. 7 is a left side elevational view thereof; and,  
 FIG. 8 is a bottom plan view thereof.

**1 Claim, 4 Drawing Sheets**



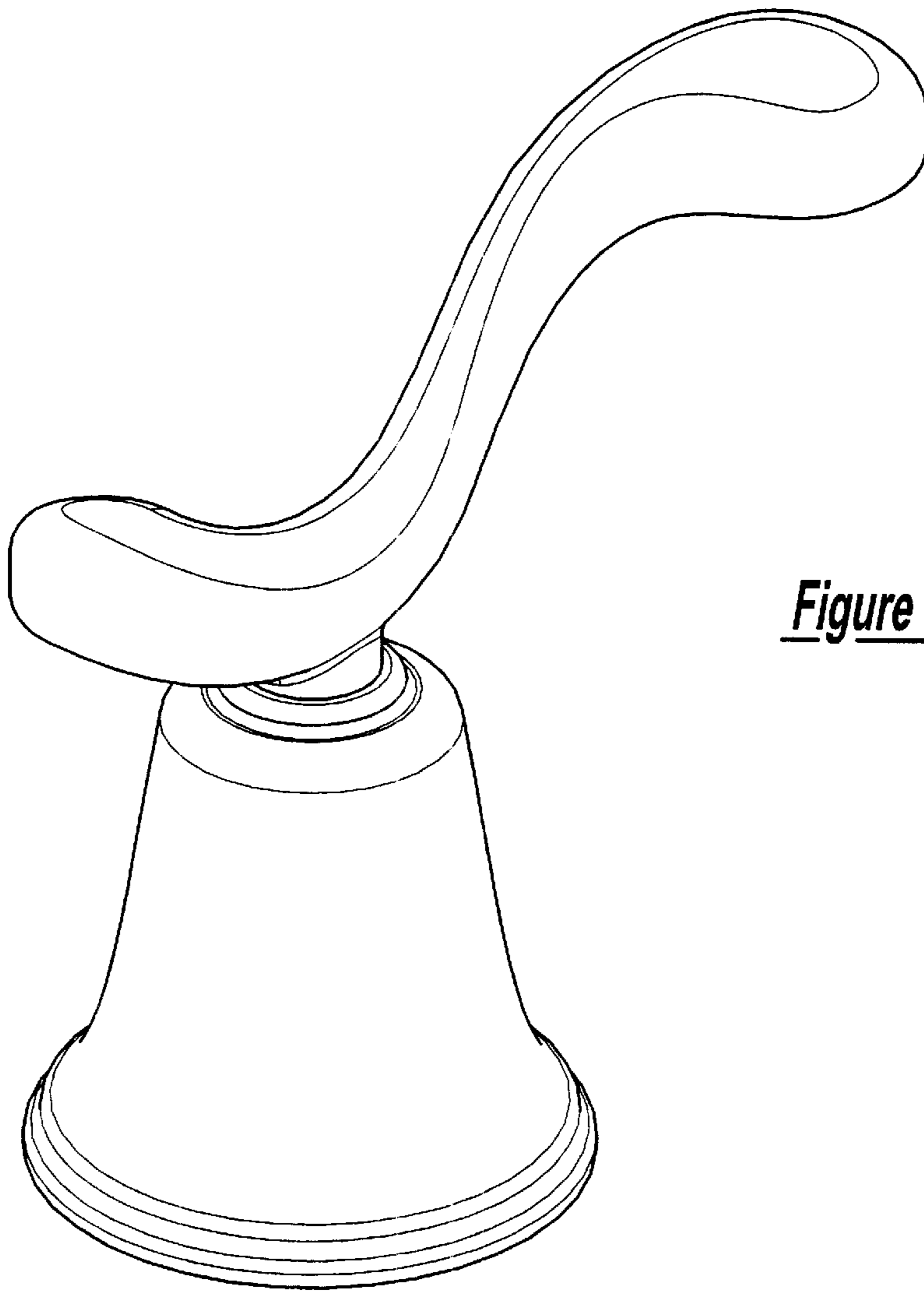


Figure - 1

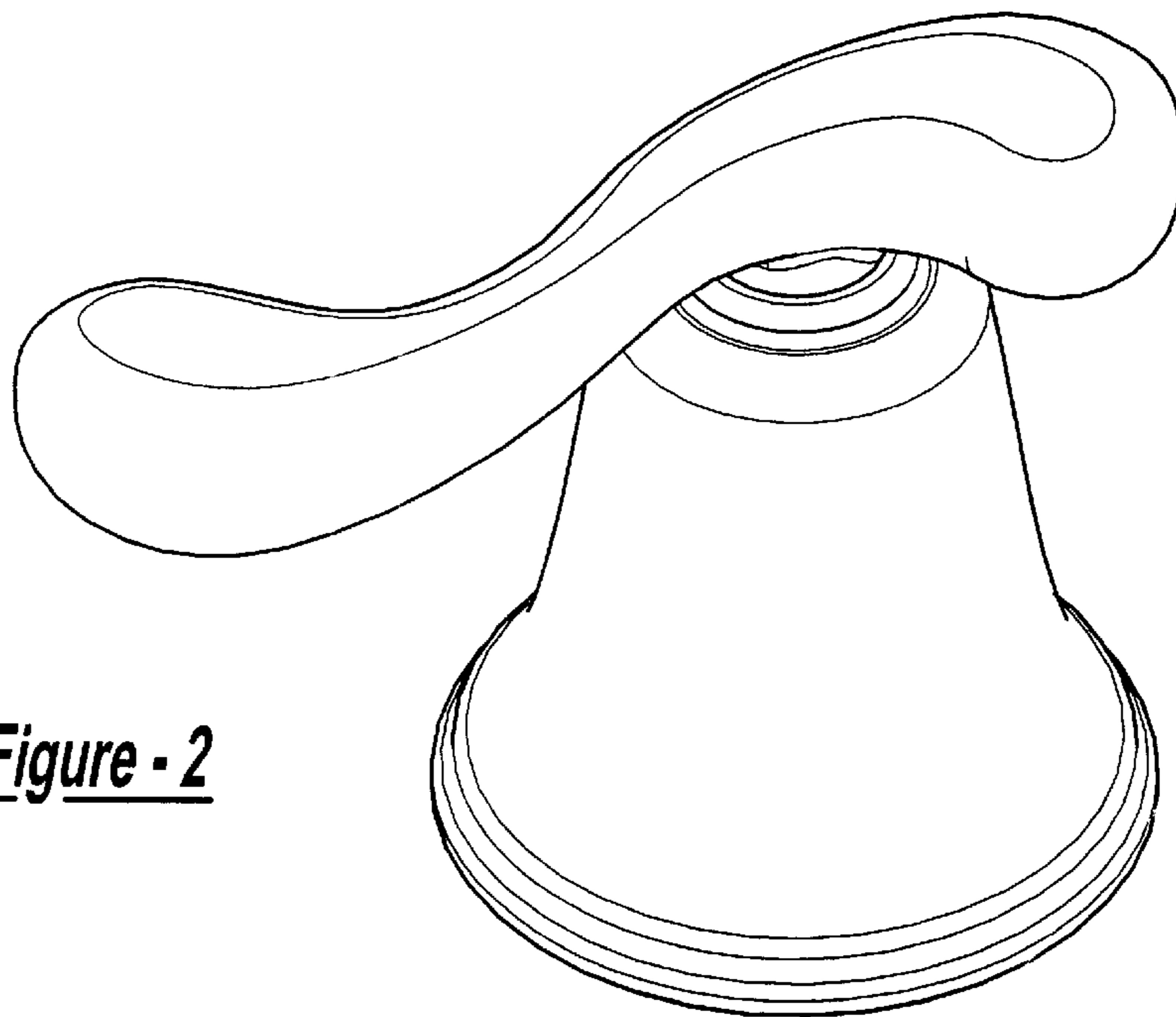


Figure - 2

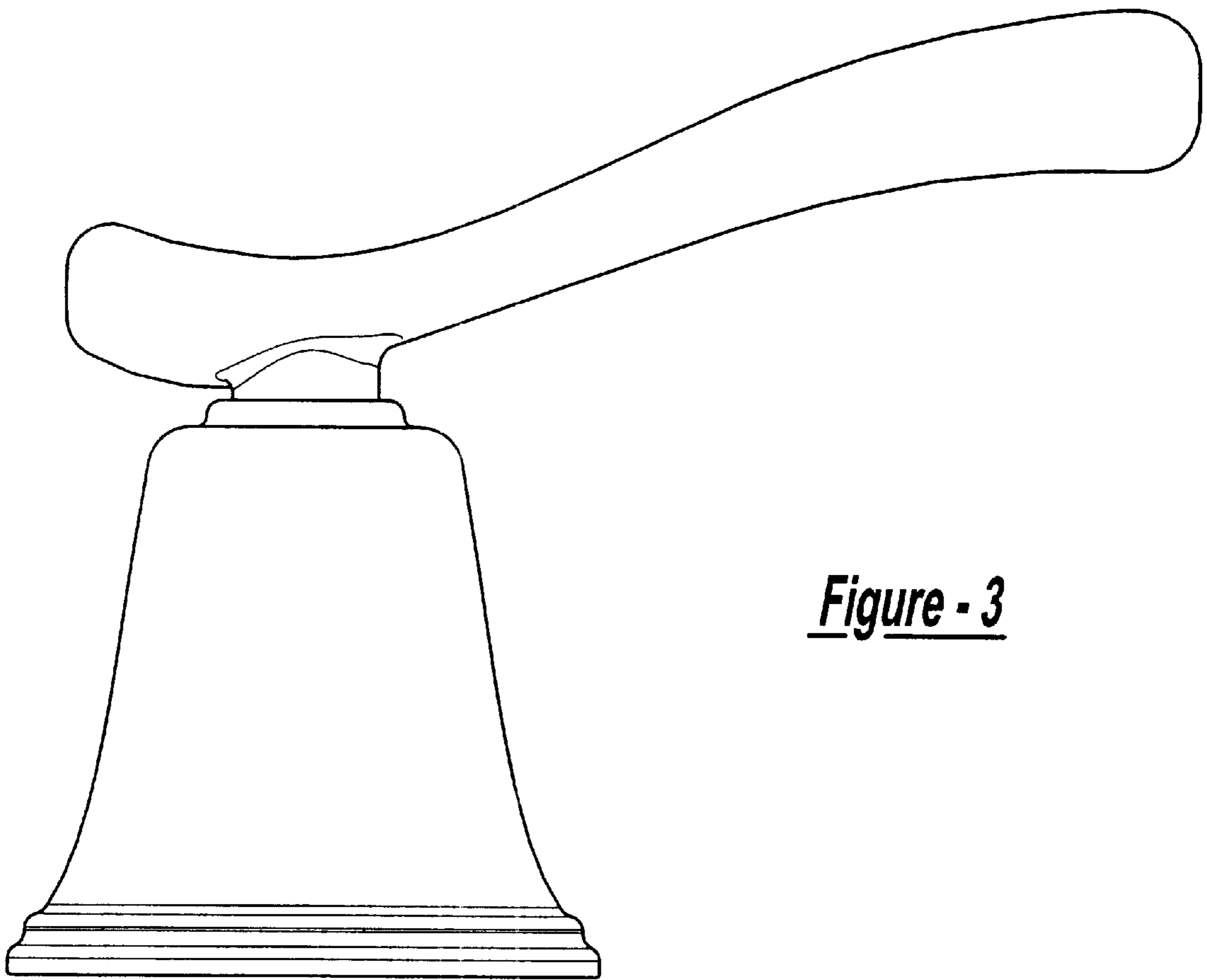


Figure - 3

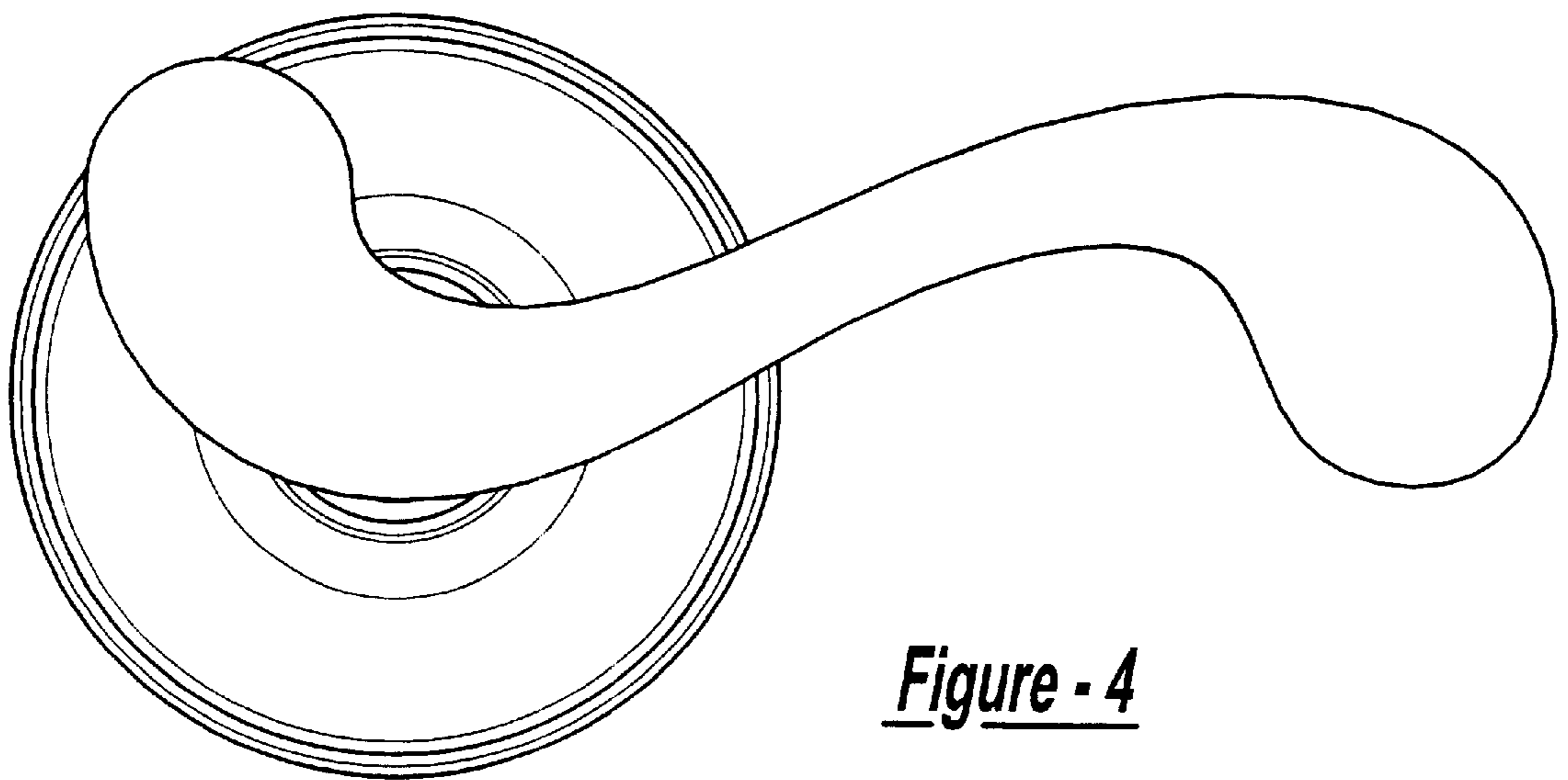


Figure - 4

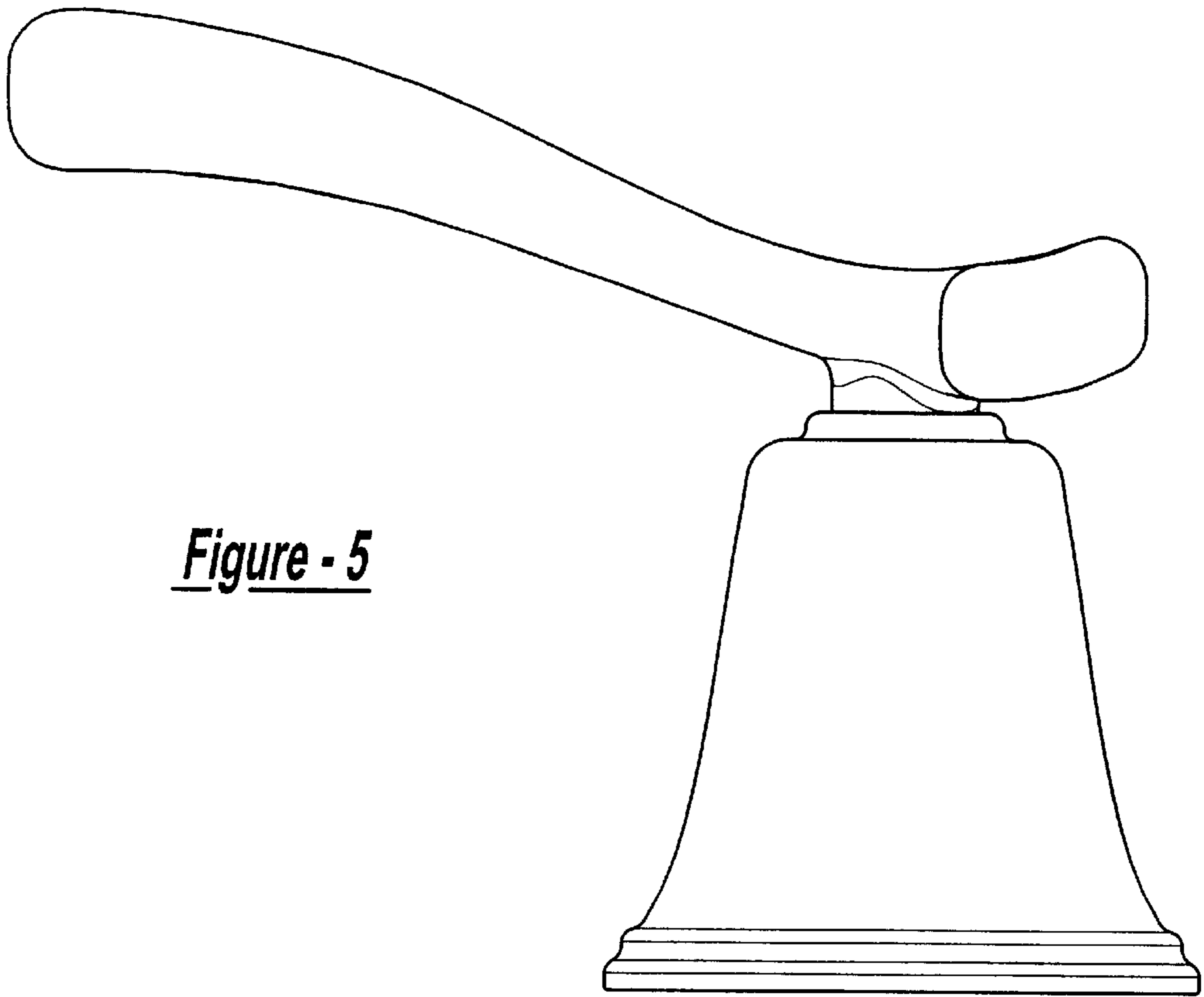


Figure - 5

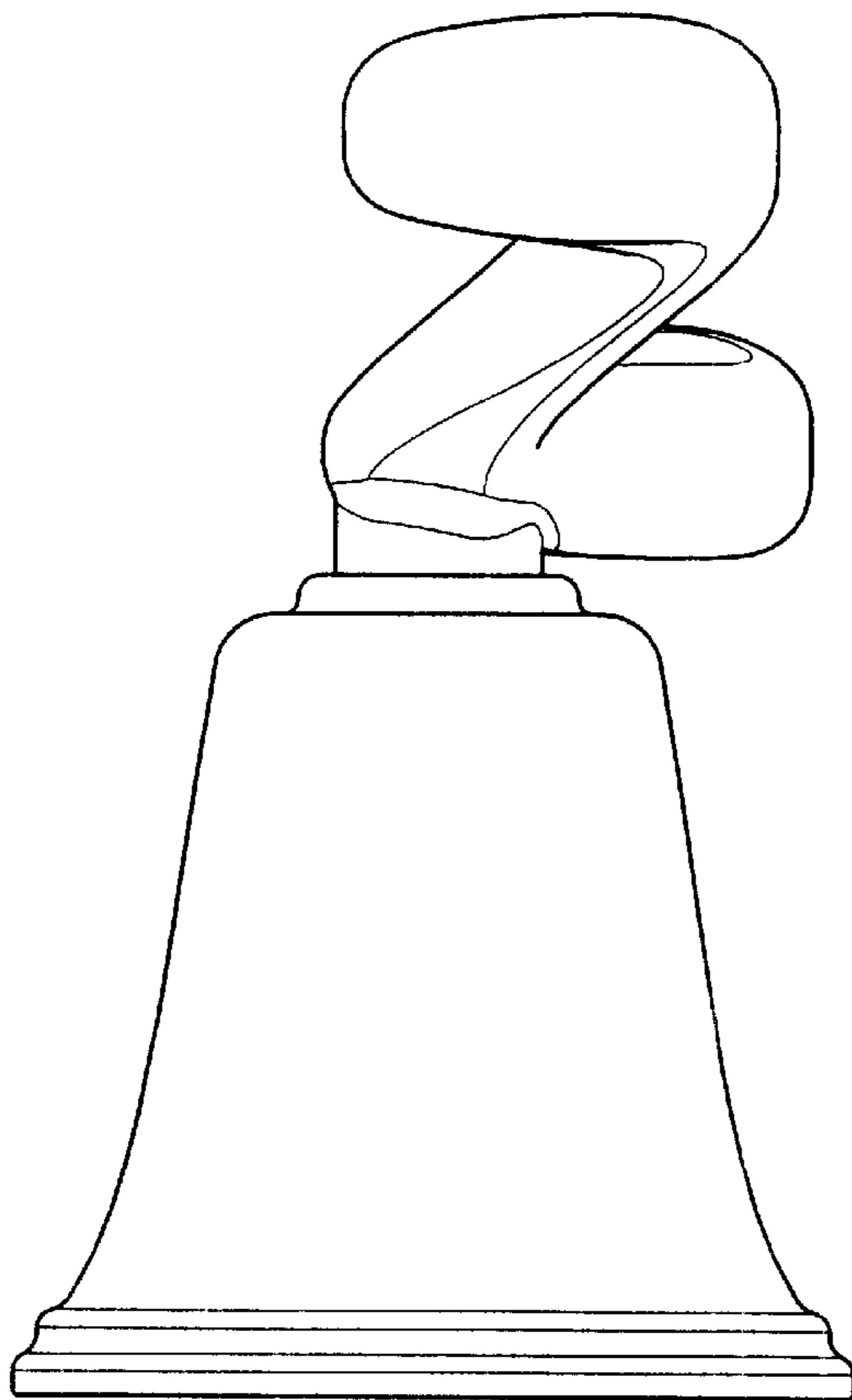


Figure - 6

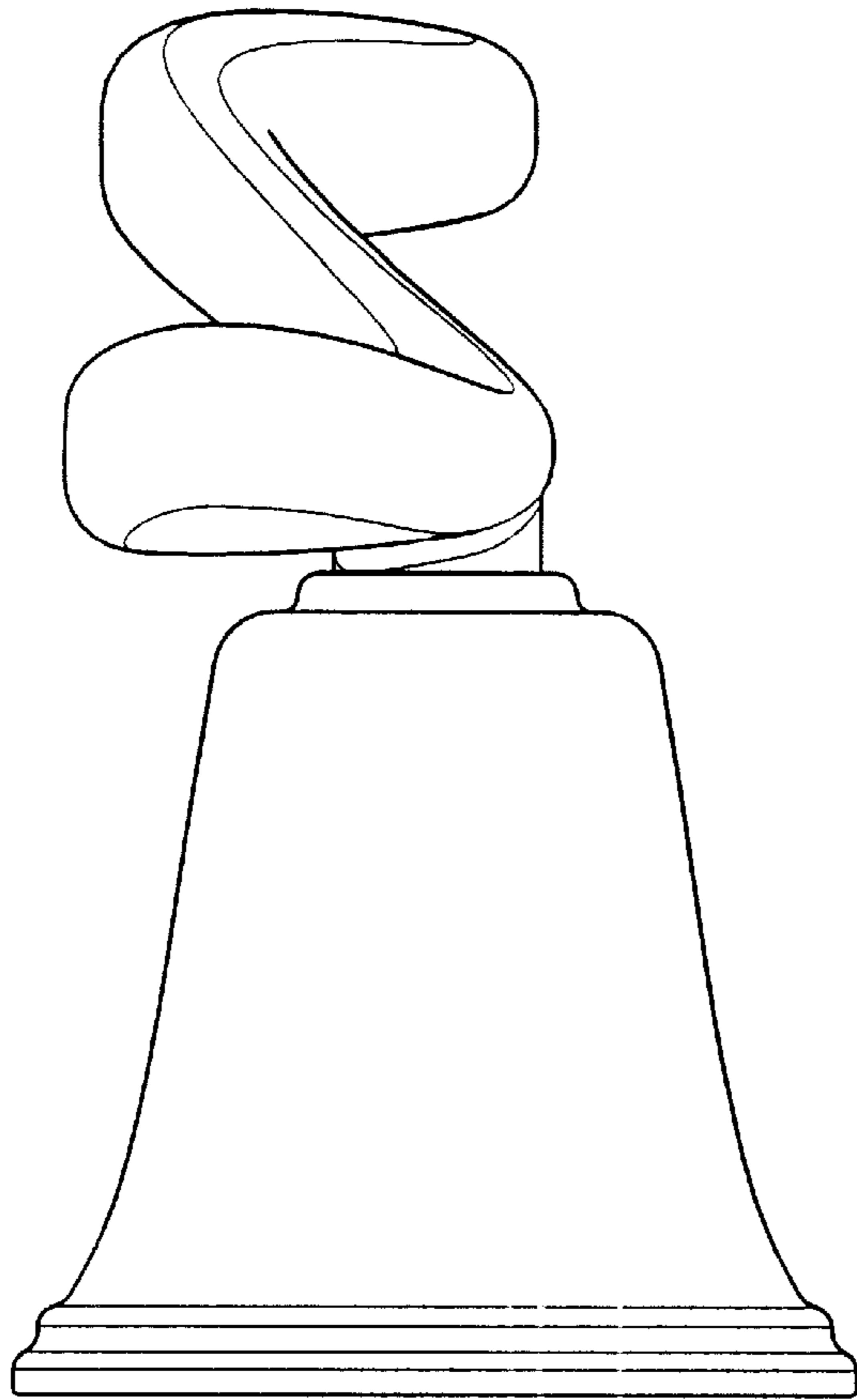


Figure - 7

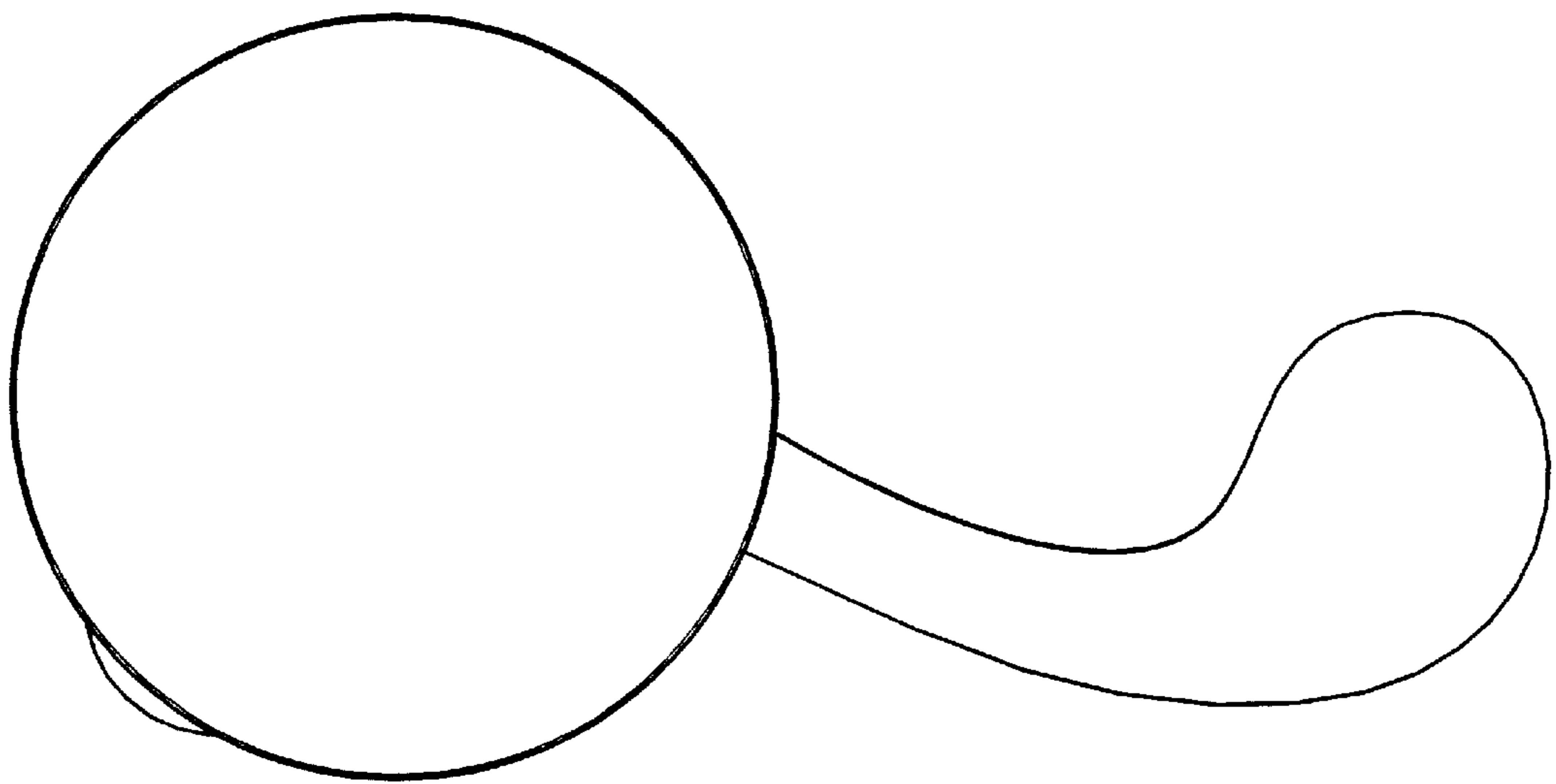


Figure - 8