



US00D443917S

(12) **United States Design Patent**  
**Lord**

(10) **Patent No.:** **US D443,917 S**

(45) **Date of Patent:** **\*\* Jun. 19, 2001**

(54) **FAUCET HANDLE**

(75) Inventor: **Judd A. Lord**, Carmel, IN (US)

(73) Assignee: **Masco Corporation of Indiana**,  
Indianapolis, IN (US)

(\* ) Notice: This patent is subject to a terminal disclaimer.

(\*\*) Term: **14 Years**

(21) Appl. No.: **29/117,831**

(22) Filed: **Jan. 31, 2000**

(51) **LOC (7) Cl.** ..... **23-01**

(52) **U.S. Cl.** ..... **D23/250**

(58) **Field of Search** ..... D23/238-243,  
D23/249-254; D8/300-303, 308, 321, DIG. 3;  
4/675-678; 16/110 R; 137/801

(56) **References Cited**

**U.S. PATENT DOCUMENTS**

- D. 81,026 \* 4/1930 Schnell ..... D23/308
- D. 349,328 \* 8/1994 Bollenbacher ..... D23/252
- D. 355,578 \* 2/1995 Mark et al. .... D8/308

D. 378,231 \* 2/1997 Dubin ..... D23/252

\* cited by examiner

*Primary Examiner*—Louis S. Zarfes

*Assistant Examiner*—Gregory Andoll

(74) *Attorney, Agent, or Firm*—Myron B. Kapustij; Lloyd D. Doigan

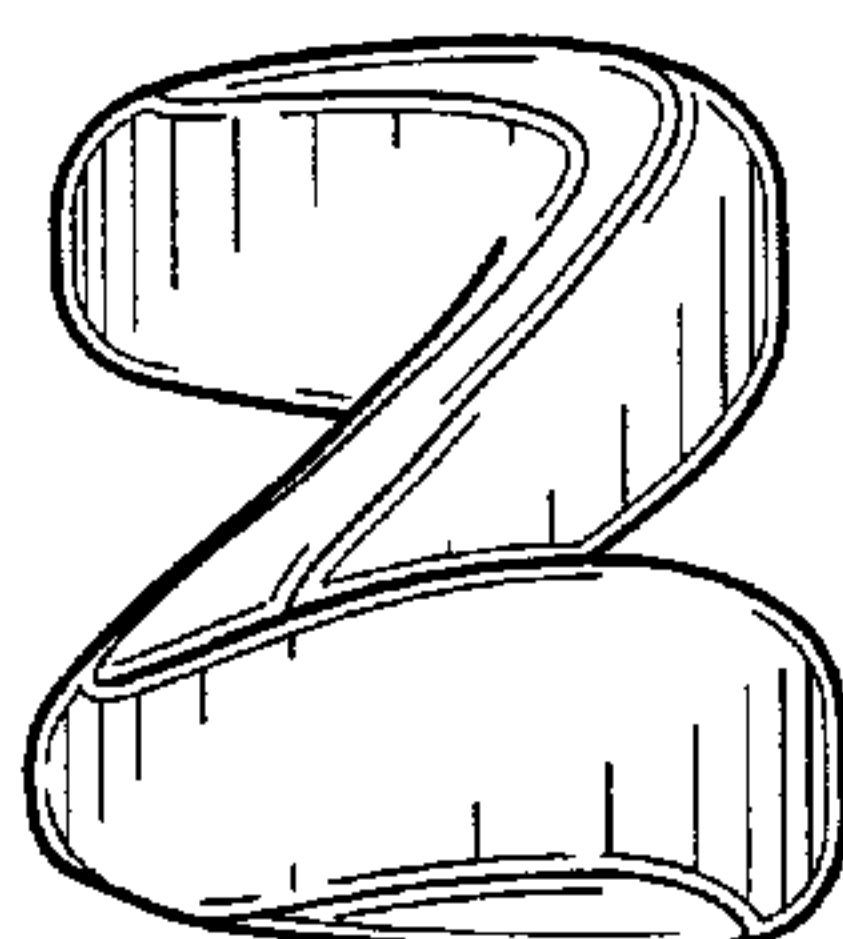
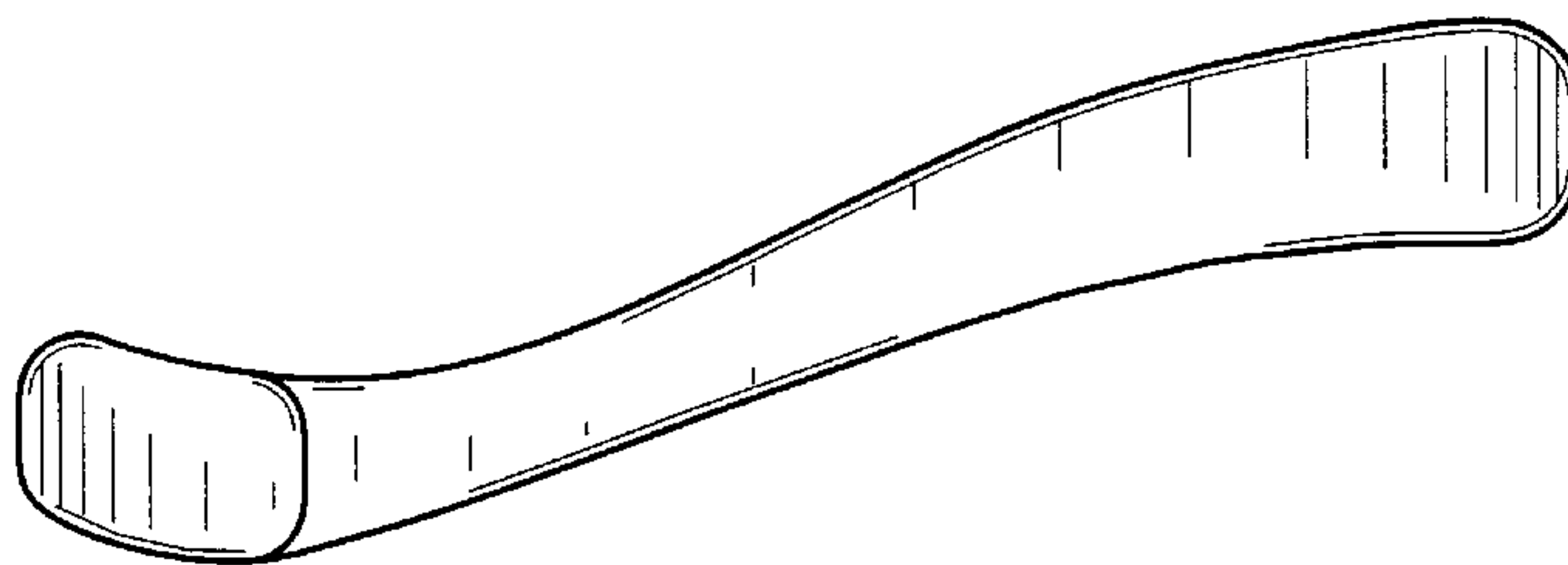
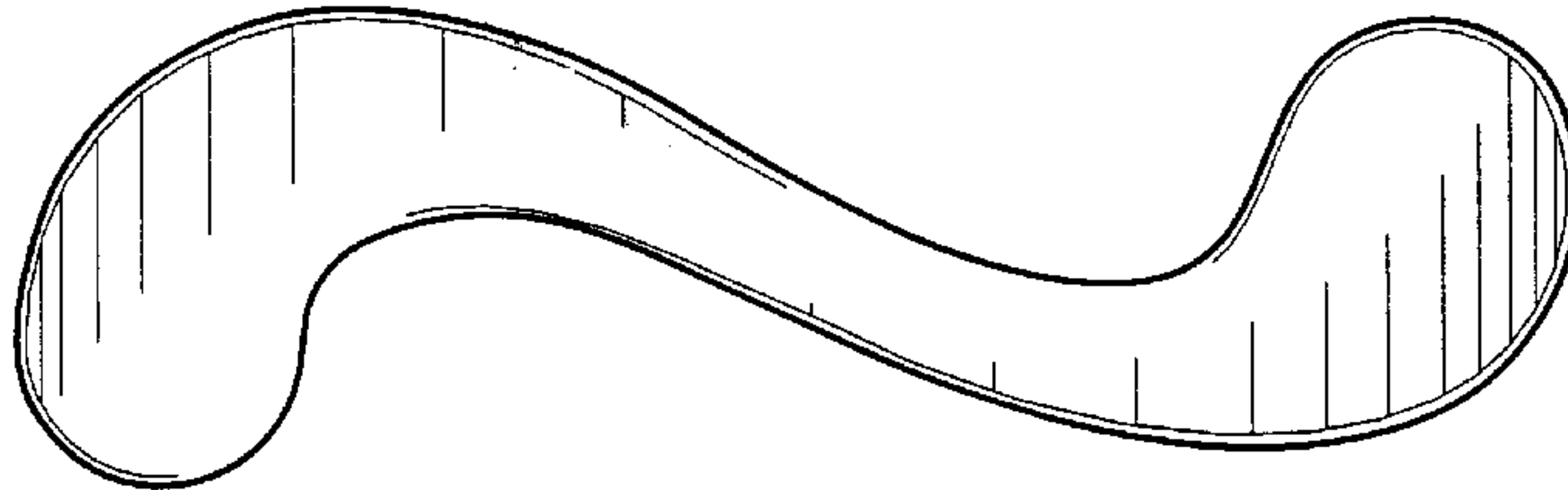
(57) **CLAIM**

The ornamental design for a faucet handle, as shown and described.

**DESCRIPTION**

FIG. 1 is a rear perspective view of the faucet handle showing my new design;  
 FIG. 2 is a front perspective view thereof;  
 FIG. 3 is a top plan view thereof;  
 FIG. 4 is a rear elevational view thereof;  
 FIG. 5 is a right side elevational view thereof;  
 FIG. 6 is a front elevational view thereof;  
 FIG. 7 is a left side elevational view thereof; and,  
 FIG. 8 is a bottom plan view thereof.  
 The broken line showing of the base mounting sleeve FIG. 2 is for purposes of illustration only and forms no part of the claimed design.

**1 Claim, 3 Drawing Sheets**



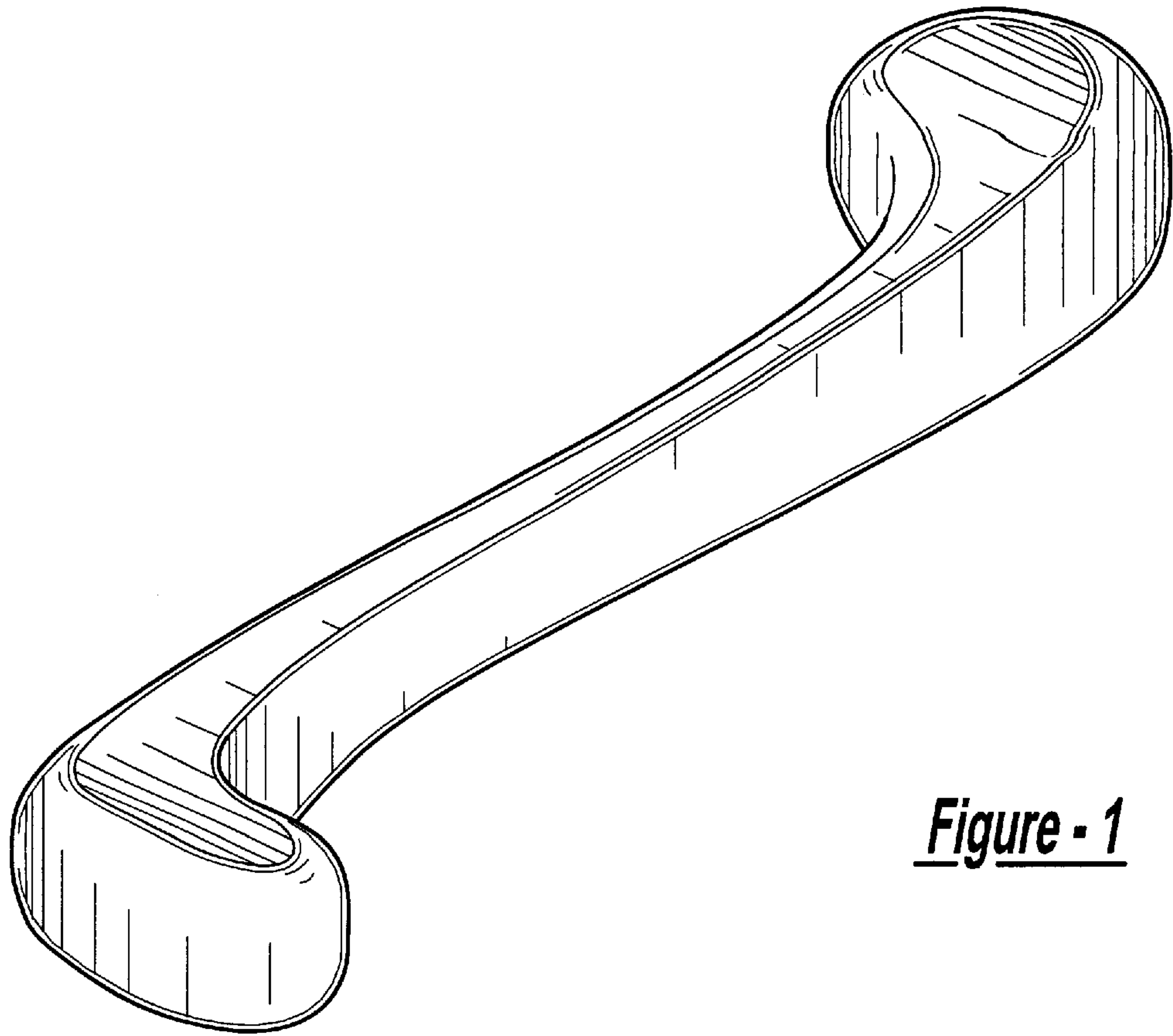


Figure - 1

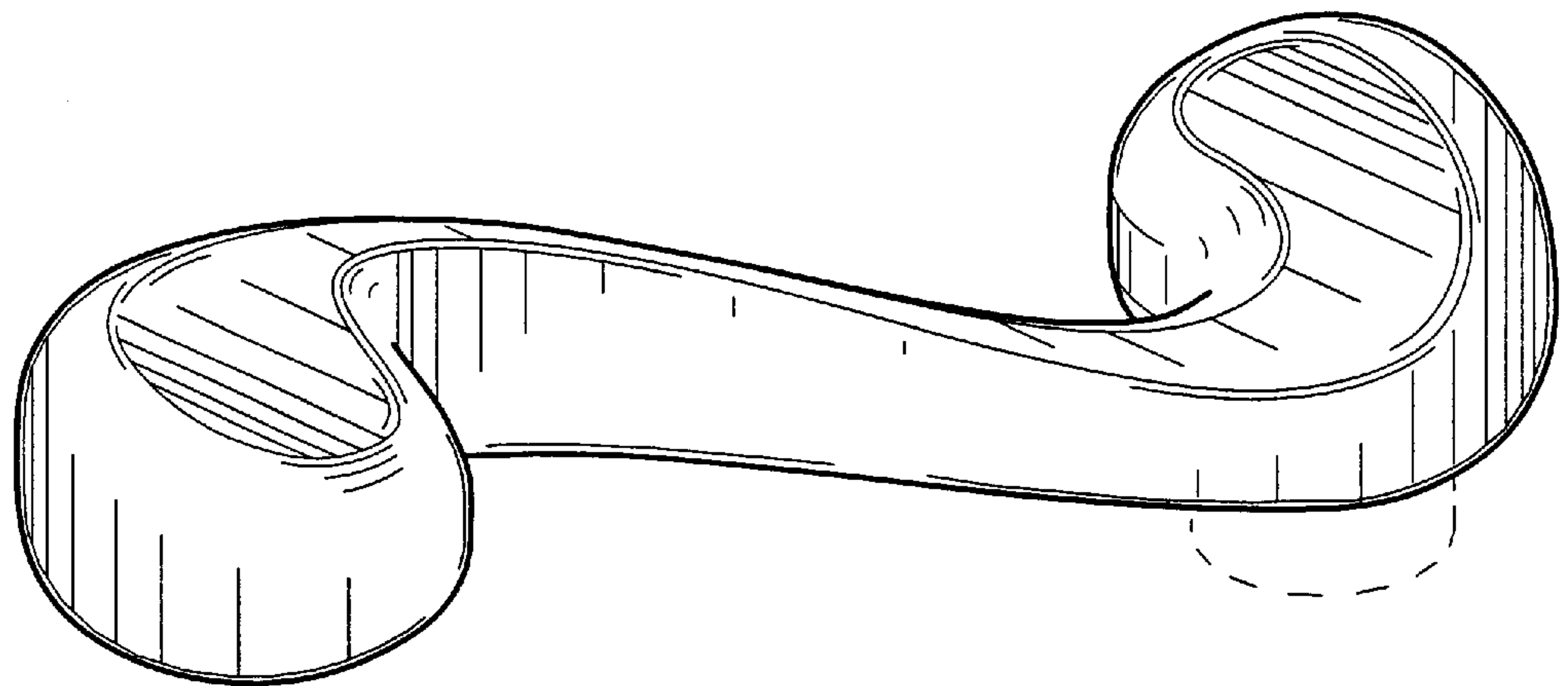


Figure - 2

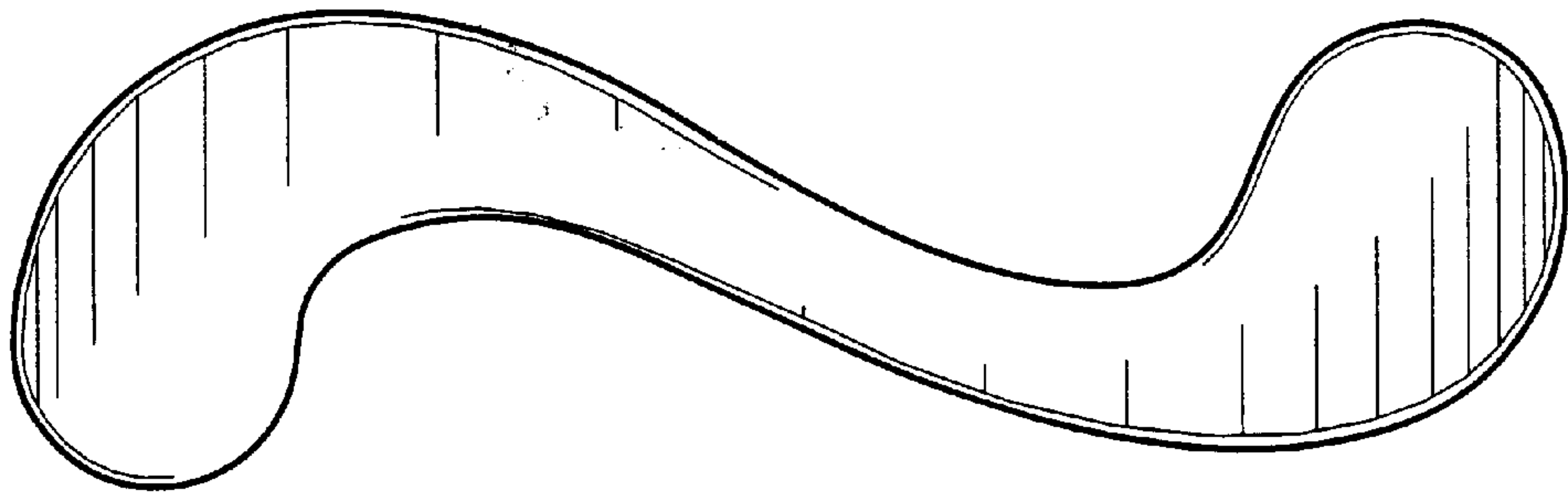


Figure - 3

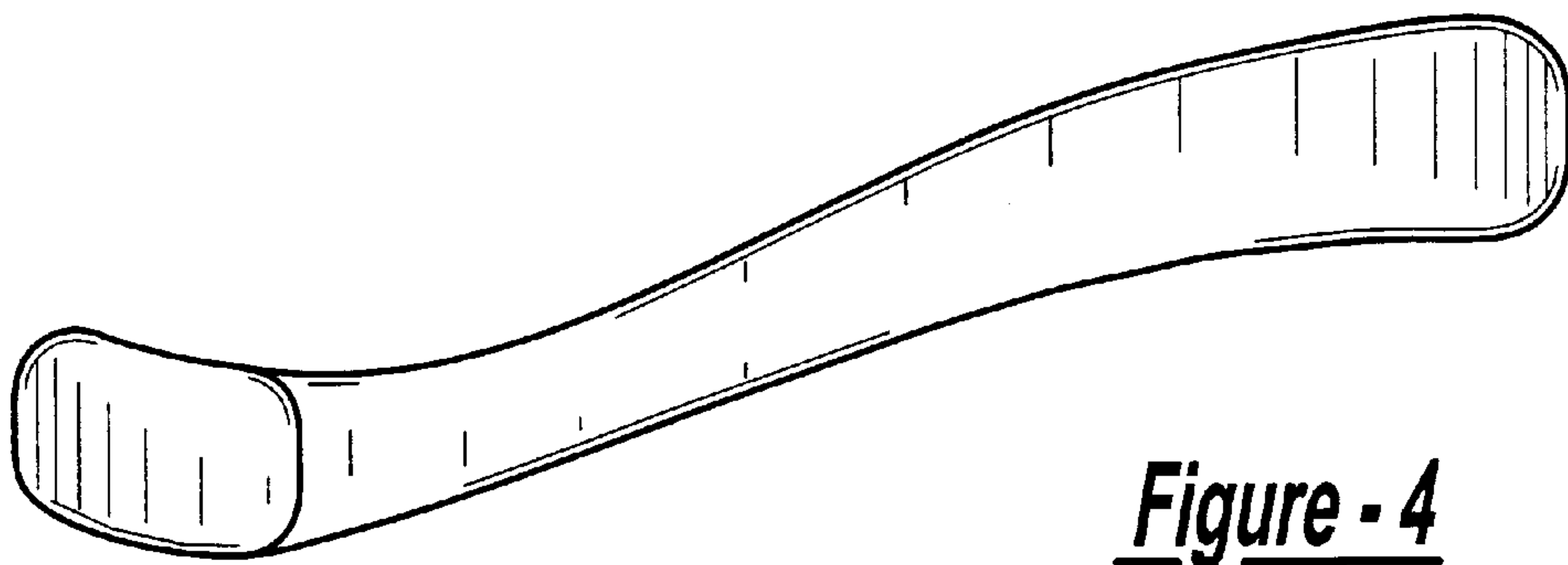


Figure - 4

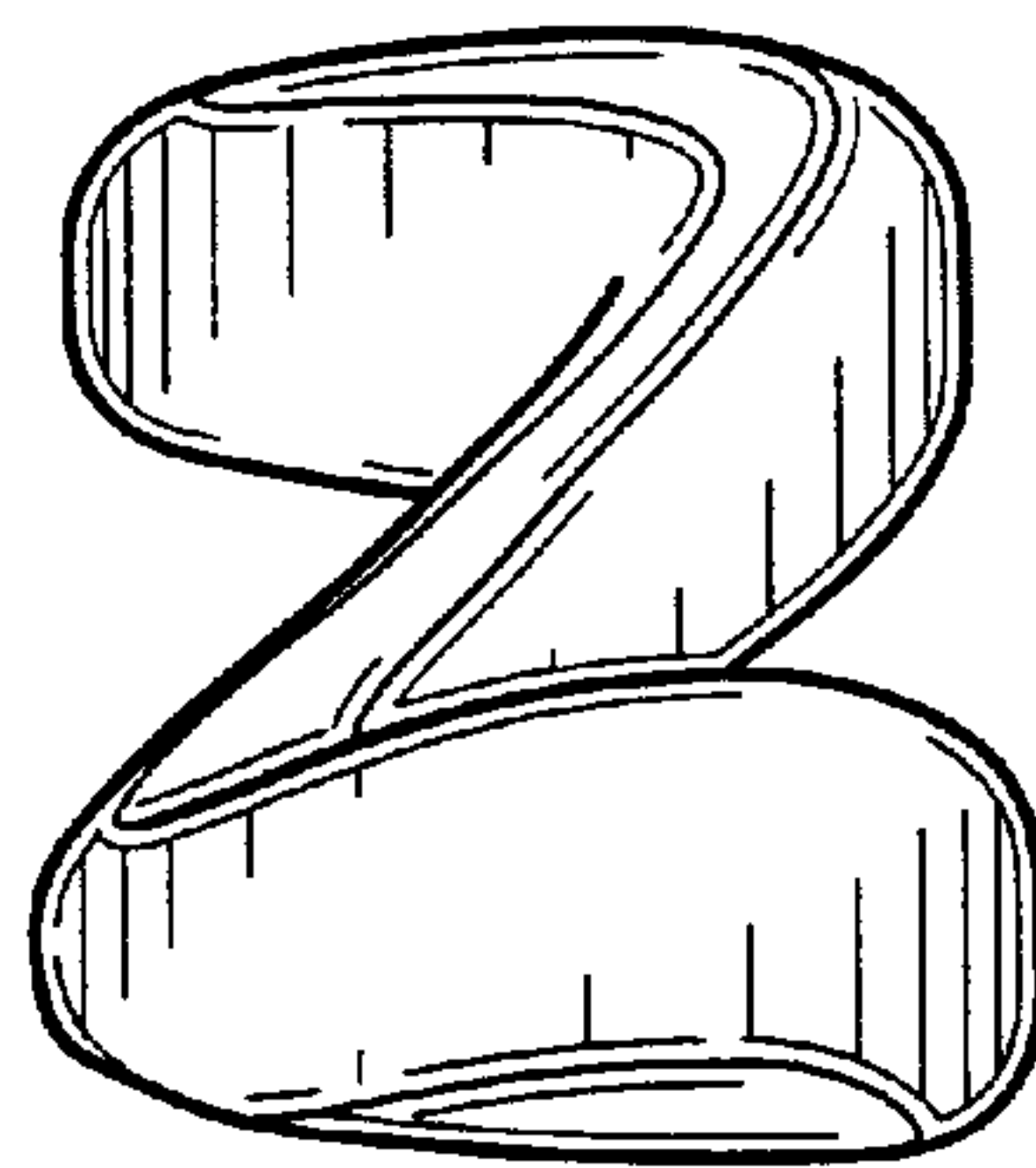


Figure - 5

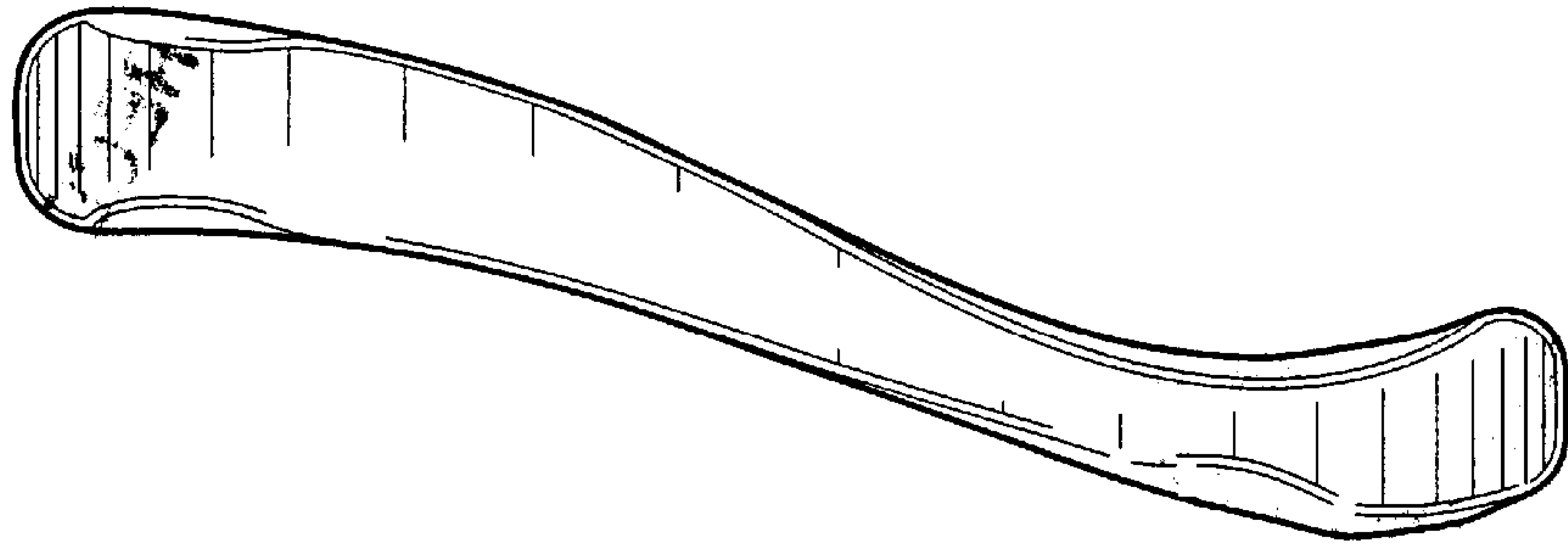


Figure - 6

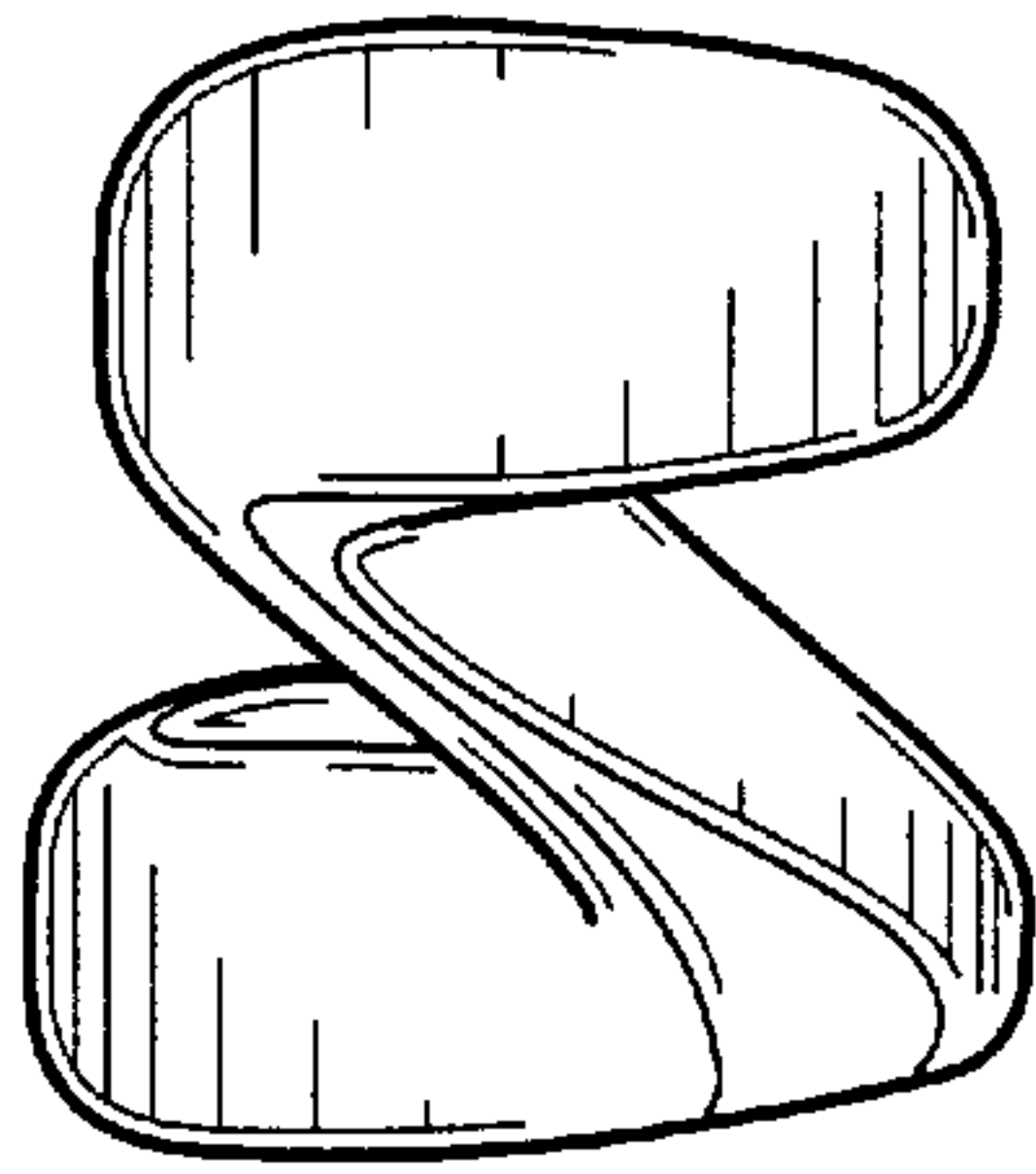


Figure - 7

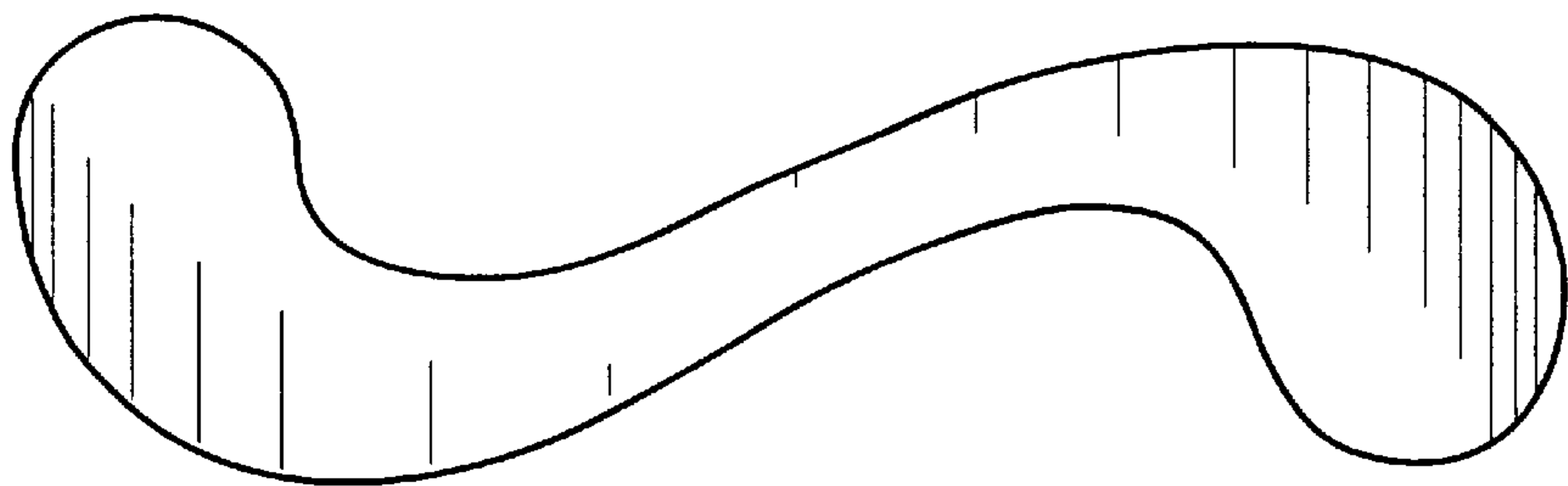


Figure - 8