



US00D443916S

(12) **United States Design Patent**
Müllenmeister

(10) **Patent No.:** **US D443,916 S**

(45) **Date of Patent:** **** Jun. 19, 2001**

(54) **SHOWER AND TUB FAUCET**

(75) **Inventor:** **Daniel Müllenmeister, Havixbeck (DE)**

(73) **Assignee:** **Friedrich Grohe AG & Co. KG, Hemer (DE)**

(**) **Term:** **14 Years**

(21) **Appl. No.:** **29/132,786**

(22) **Filed:** **Nov. 15, 2000**

(30) **Foreign Application Priority Data**

Jun. 22, 2000 (DE) 400 05 887

(51) **LOC (7) Cl.** **23-01**

(52) **U.S. Cl.** **D23/238**

(58) **Field of Search** D23/238-243,
D23/245, 249-257; D8/300-310, 350-354;
4/675-678; 16/110 R-121; 137/801

(56) **References Cited**

U.S. PATENT DOCUMENTS

D. 378,774 * 4/1997 Kergoet D23/238

D. 410,068 * 5/1999 Gottwald D23/238

D. 434,832 * 12/2000 Fleischmann D23/238

5,813,436 * 9/1998 Chen 237/801

* cited by examiner

Primary Examiner—Louis S. Zarfaz

Assistant Examiner—Gregory Andoll

(74) *Attorney, Agent, or Firm*—Herbert Dubno

(57) **CLAIM**

The ornamental design for a shower and tub faucet, as shown and described.

DESCRIPTION

FIG. 1 is a top, front, left-side perspective view of a shower and tub faucet showing my new design;

FIG. 2 is a front elevational view thereof;

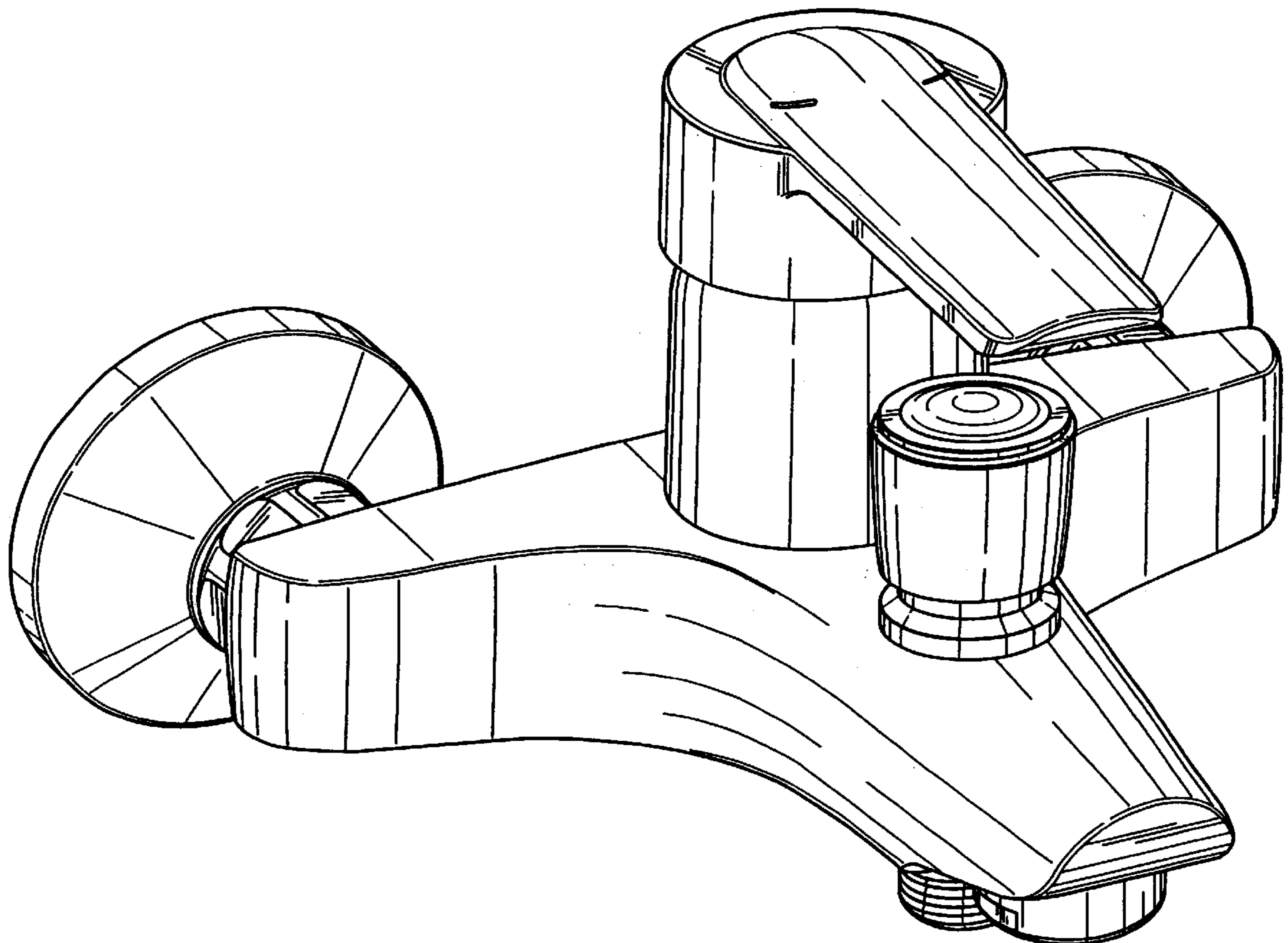
FIG. 3 is a left side elevational view thereof, the right side elevational view being mirror symmetrical thereto;

FIG. 4 is a top plan view thereof;

FIG. 5 is a bottom plan view thereof; and,

FIG. 6 is a rear elevational view thereof.

1 Claim, 6 Drawing Sheets



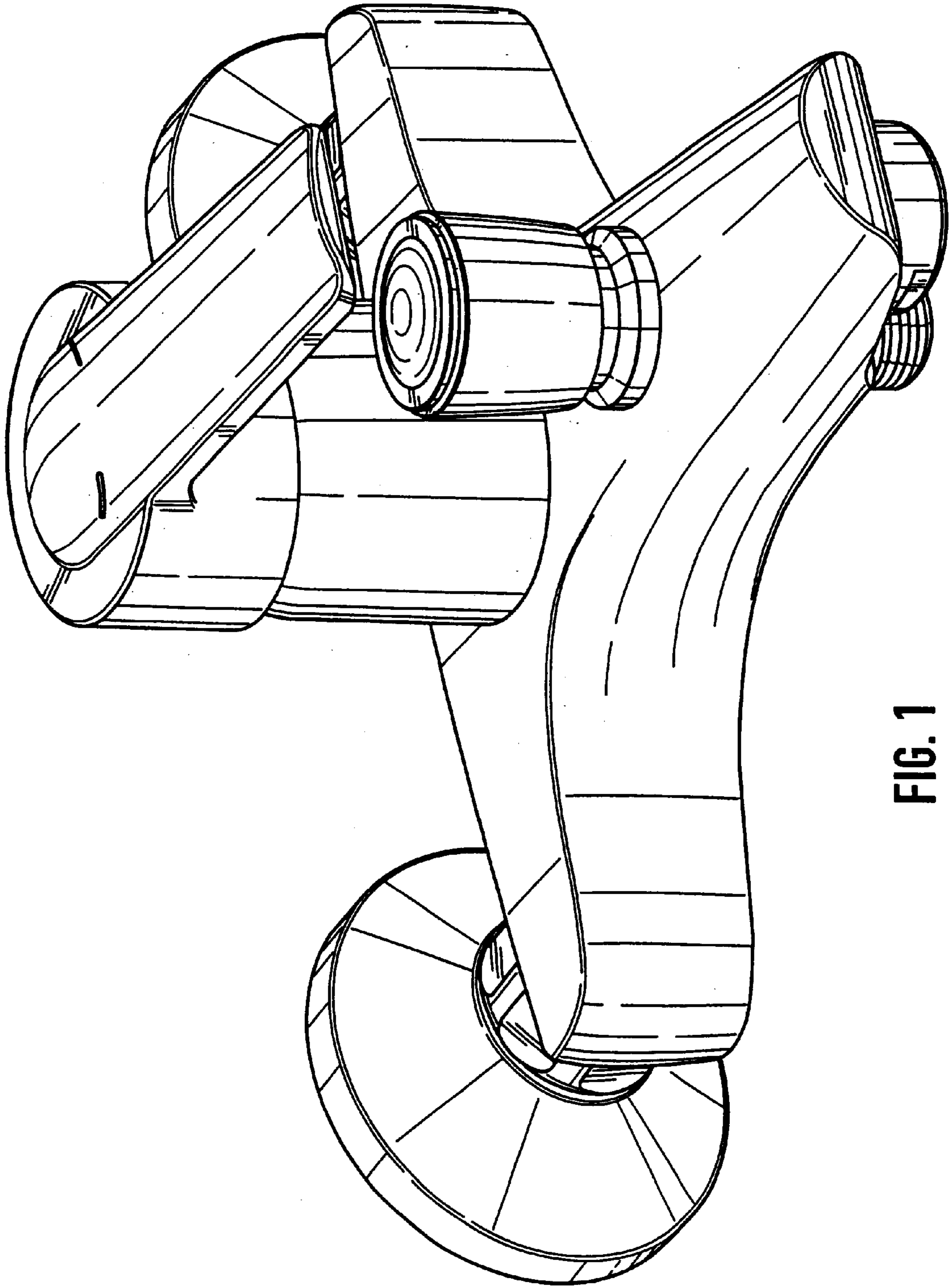


FIG. 1

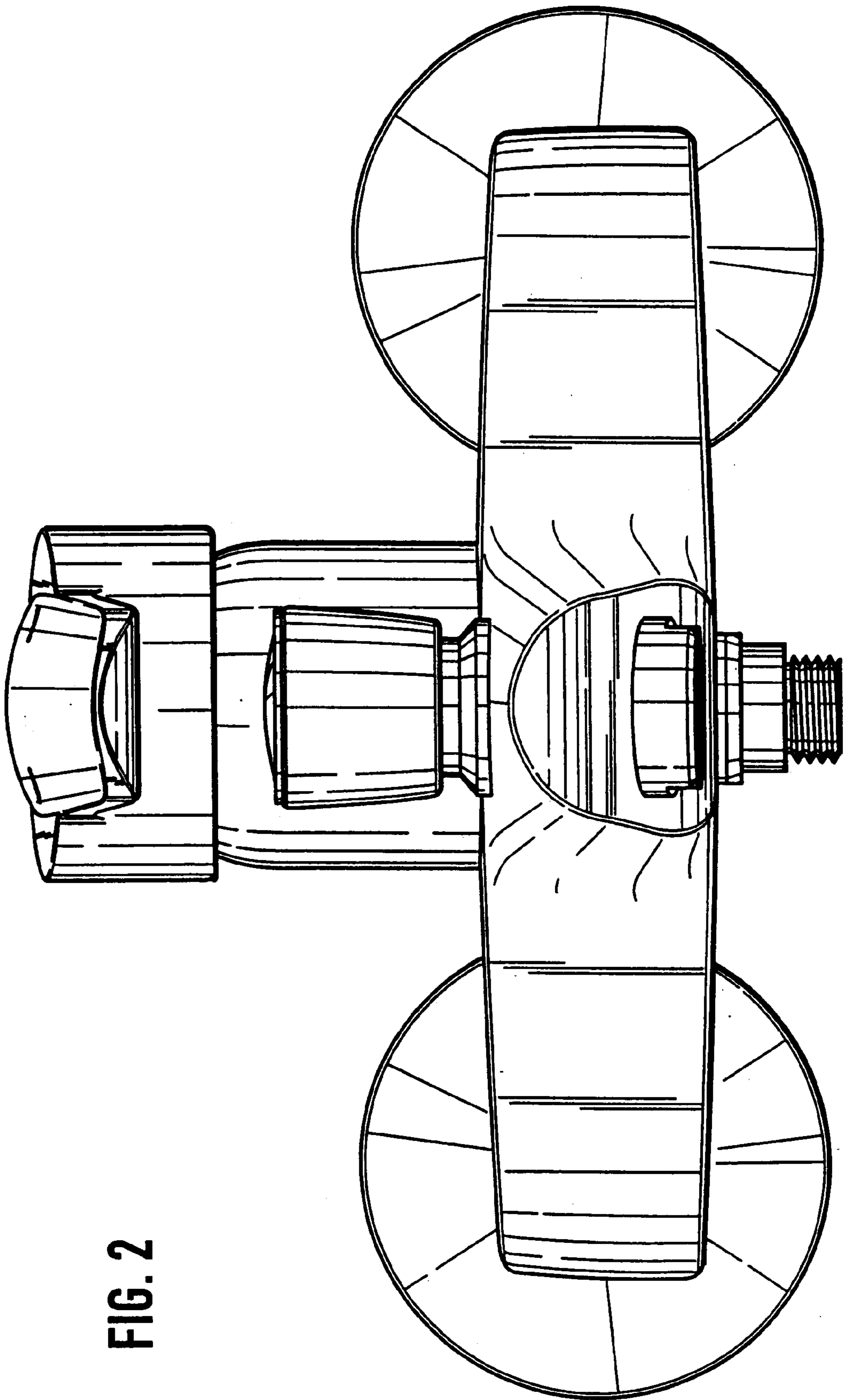


FIG. 2

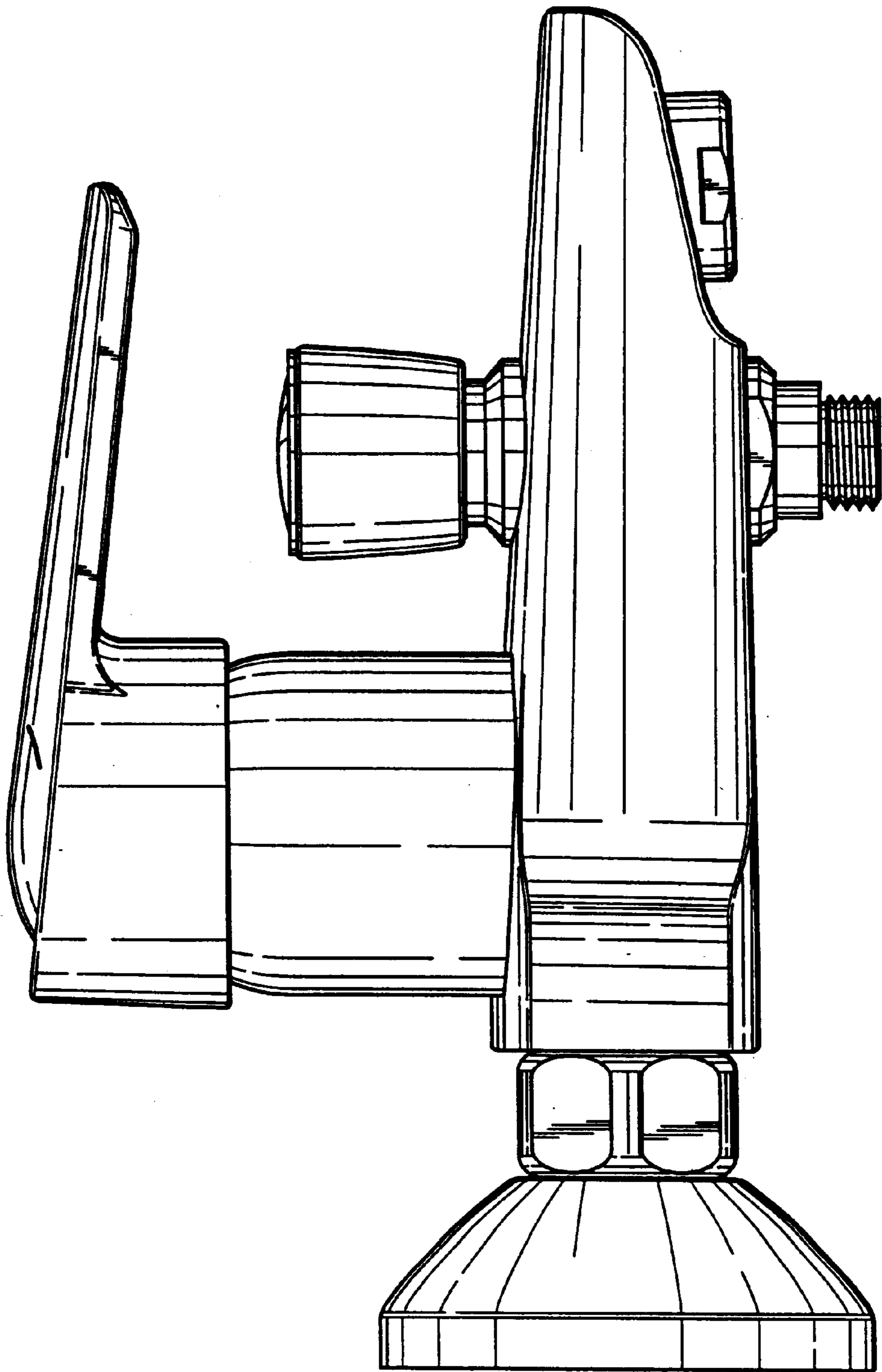


FIG. 3

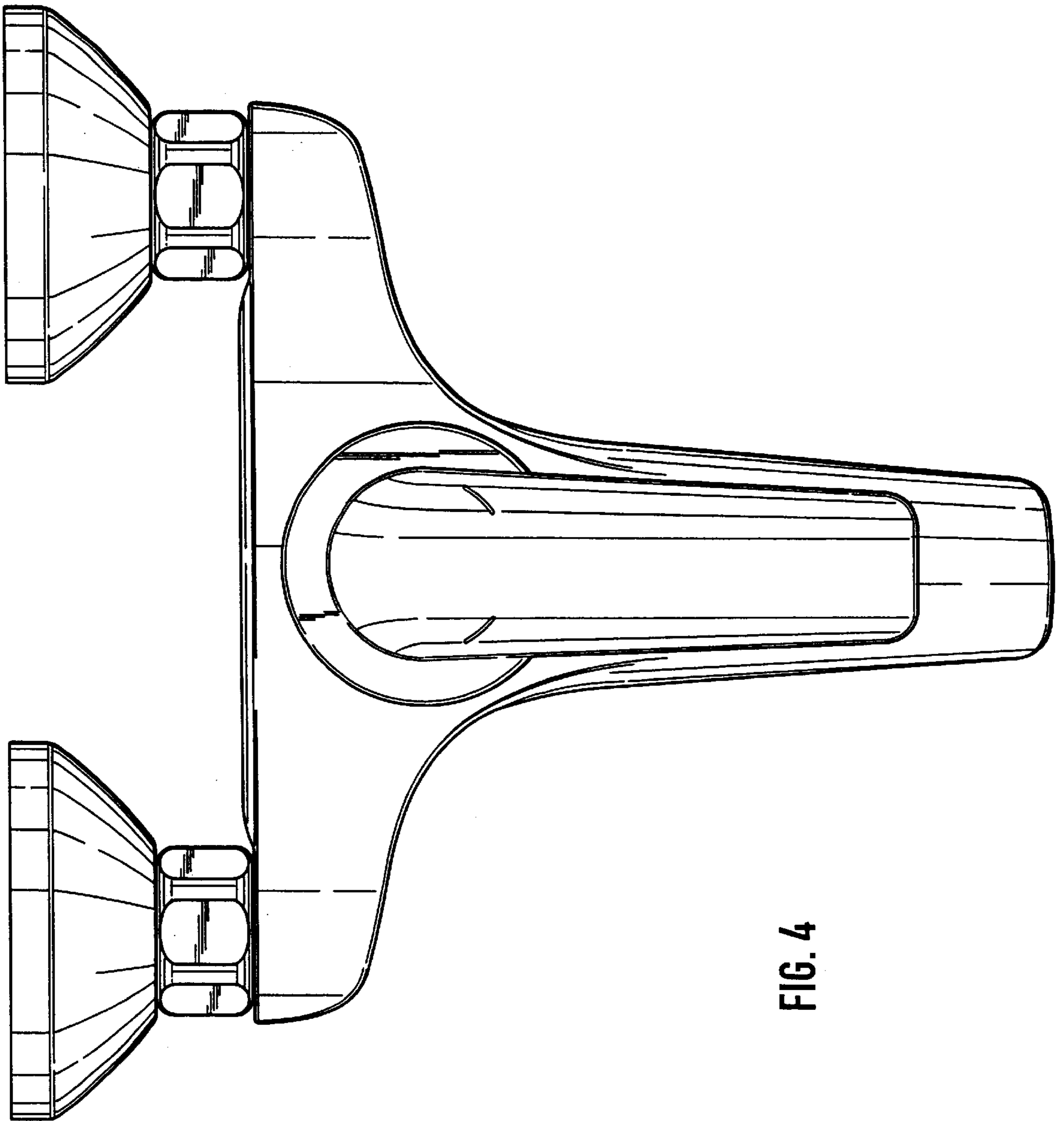


FIG. 4

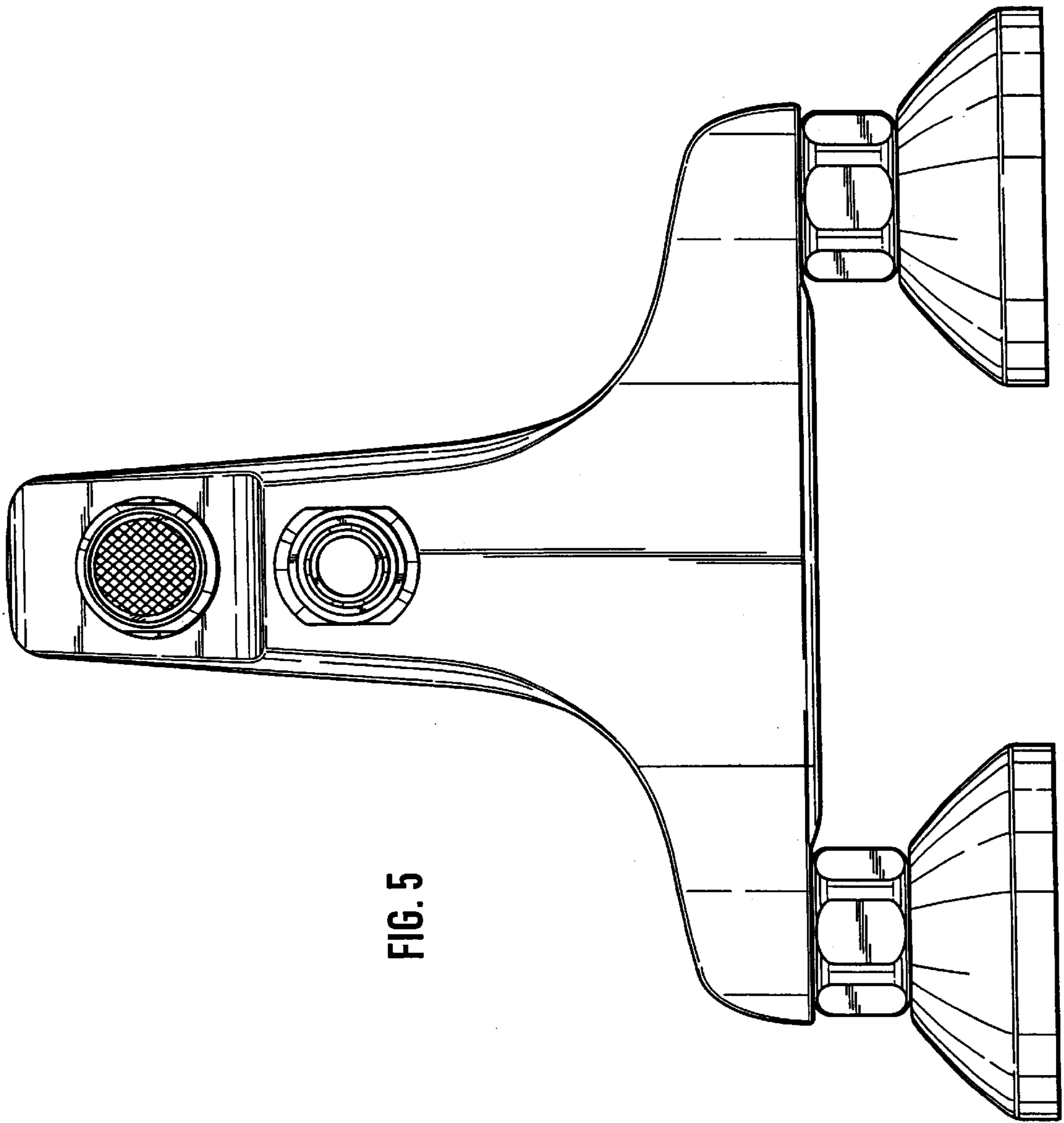


FIG. 5

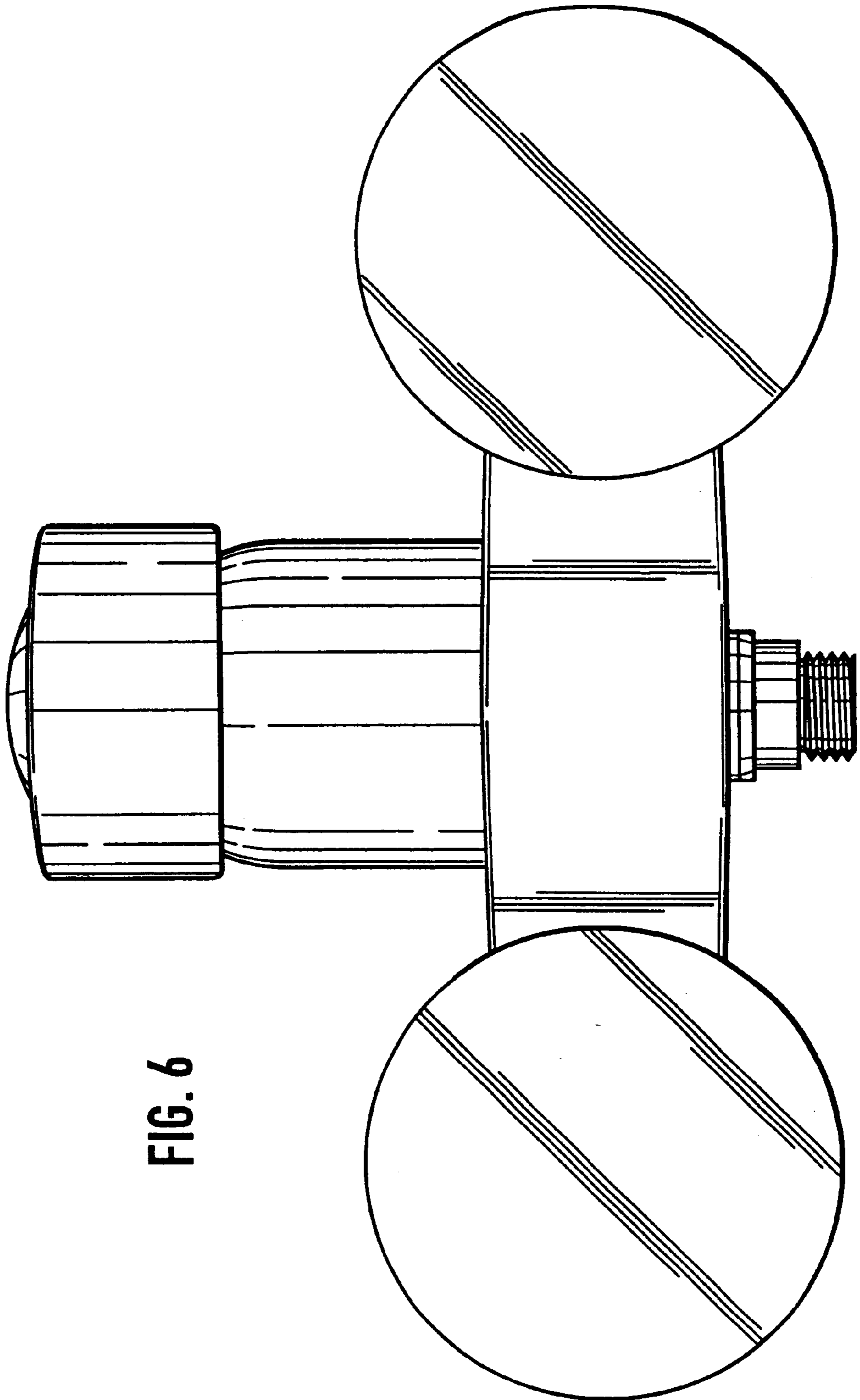


FIG. 6