



US00D443915S

(12) **United States Design Patent**
Heren et al.

(10) **Patent No.: US D443,915 S**

(45) **Date of Patent: ** Jun. 19, 2001**

(54) **TRACTOR TRAVELER**

2,883,116 * 4/1959 Muench D23/219
5,419,494 * 5/1995 Harwood 239/211

(75) Inventors: **Lawrence P. Heren**, East Peoria, IL
(US); **David L. Hunt**, Cincinnati, OH
(US); **Joyce Thomas**, Lexington, IL
(US)

OTHER PUBLICATIONS

Nelson Lawn and Garden catalog; item # 1860; p. 9; 1986.*
Thompson catalog's pathfinder sprinklers; p. 6; 1995.*

(73) Assignee: **L. R. Nelson Corporation**, Peoria, IL
(US)

* cited by examiner

(**) Term: **14 Years**

Primary Examiner—Robin V. Taylor

(74) *Attorney, Agent, or Firm*—Mayer, Brown & Platt

(21) Appl. No.: **29/124,461**

(57) **CLAIM**

(22) Filed: **Jun. 6, 2000**

The ornamental design for a tractor traveler, as shown and described.

(51) **LOC (7) Cl.** **23-01**

DESCRIPTION

(52) **U.S. Cl.** **D23/220**

(58) **Field of Search** D23/214, 215,
D23/220, 219; 239/211; 446/434; D15/23

FIG. 1 is a isometric view thereof;
FIG. 2 is a top plan view thereof;
FIG. 3 is a bottom plan view thereof,
FIG. 4 is a front elevational view showing my new design;
FIG. 5 is a right side elevational view thereof,
FIG. 6 is a left side elevational view thereof; and,
FIG. 7 is a rear elevational view thereof.

(56) **References Cited**

U.S. PATENT DOCUMENTS

D. 151,118 * 9/1948 Borgerson D23/219
D. 301,603 * 6/1989 Herrera D23/215
D. 391,625 * 3/1998 Sabatta D23/220
2,786,305 * 3/1957 Carter 446/434

1 Claim, 7 Drawing Sheets

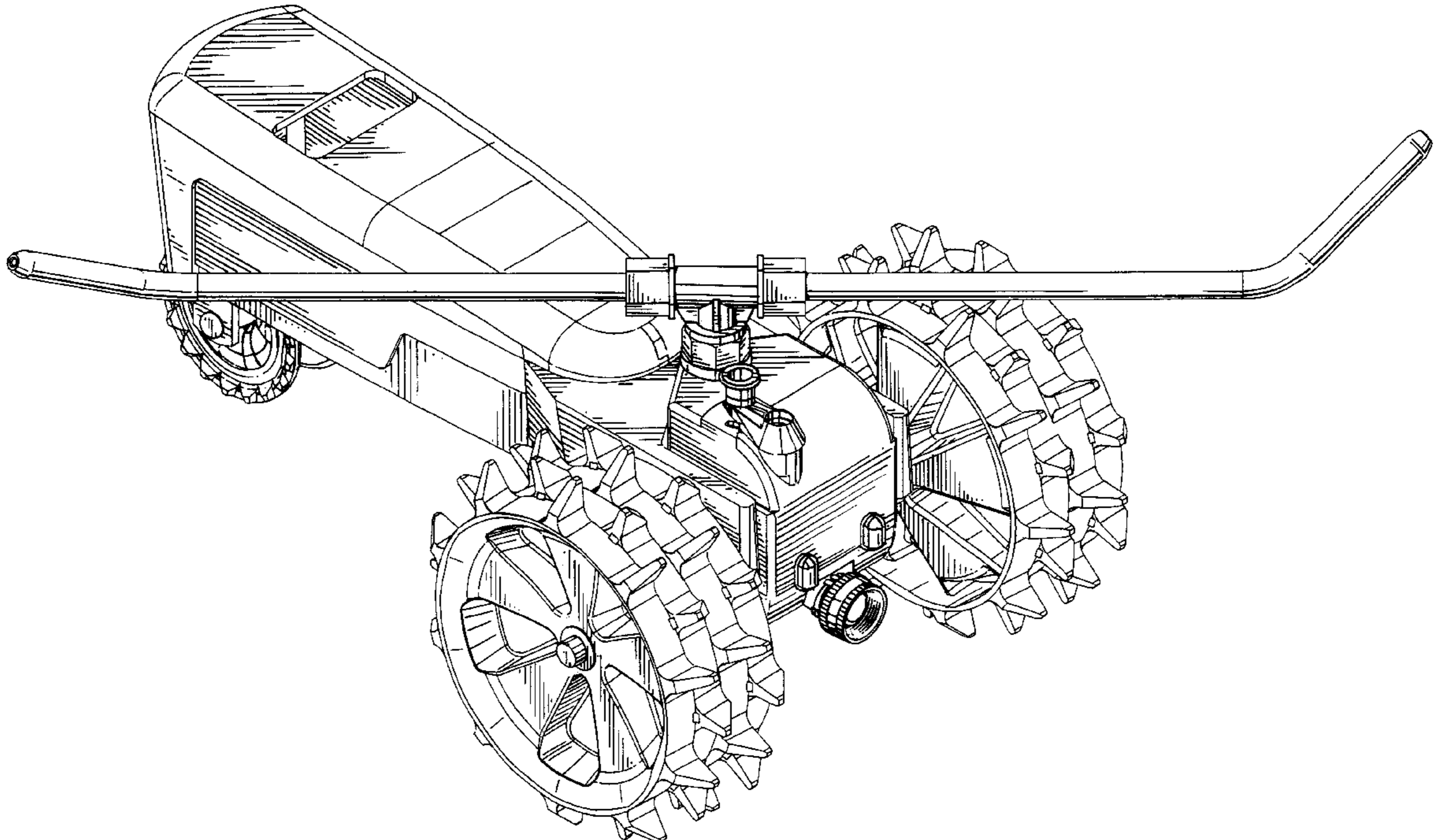
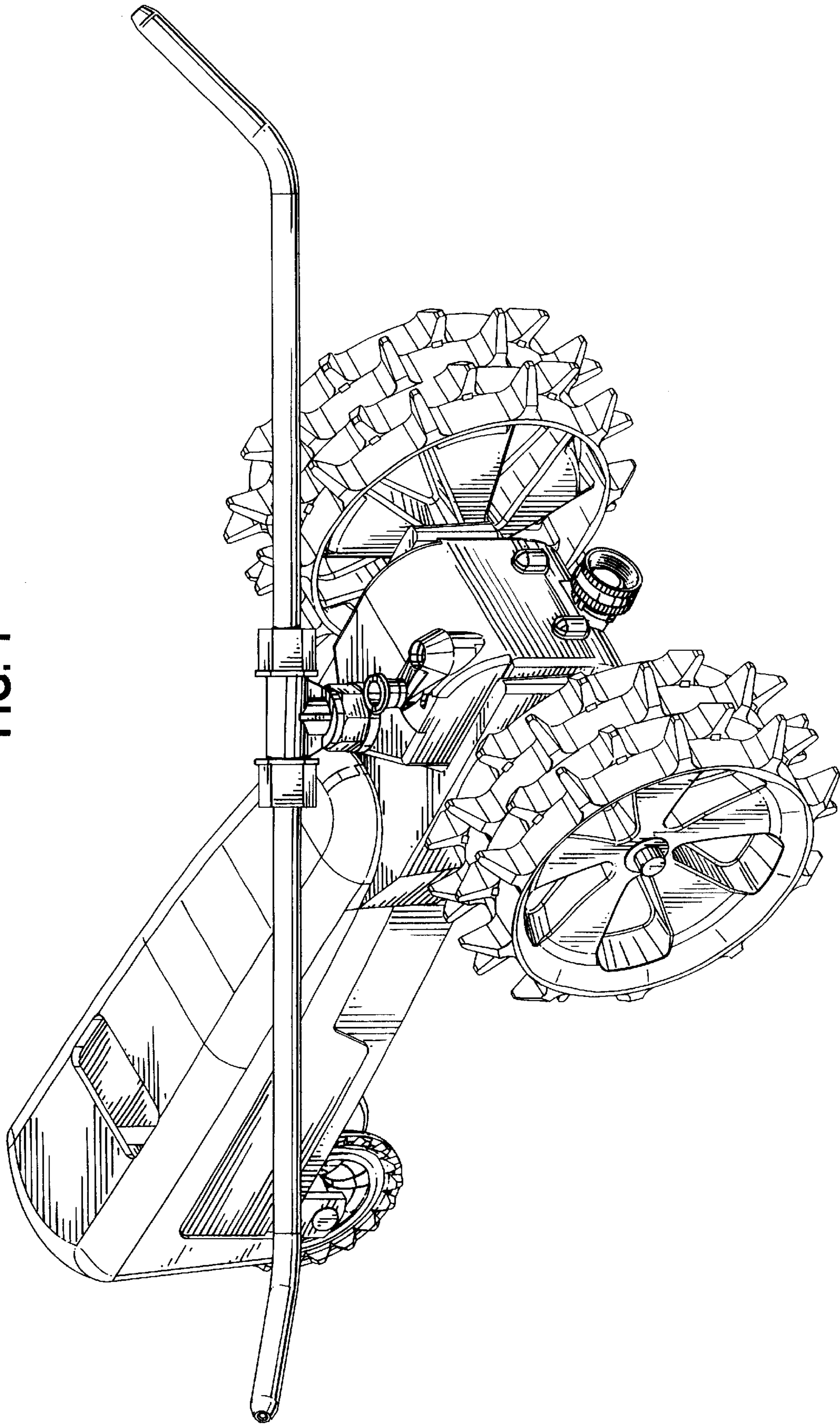


FIG. 1



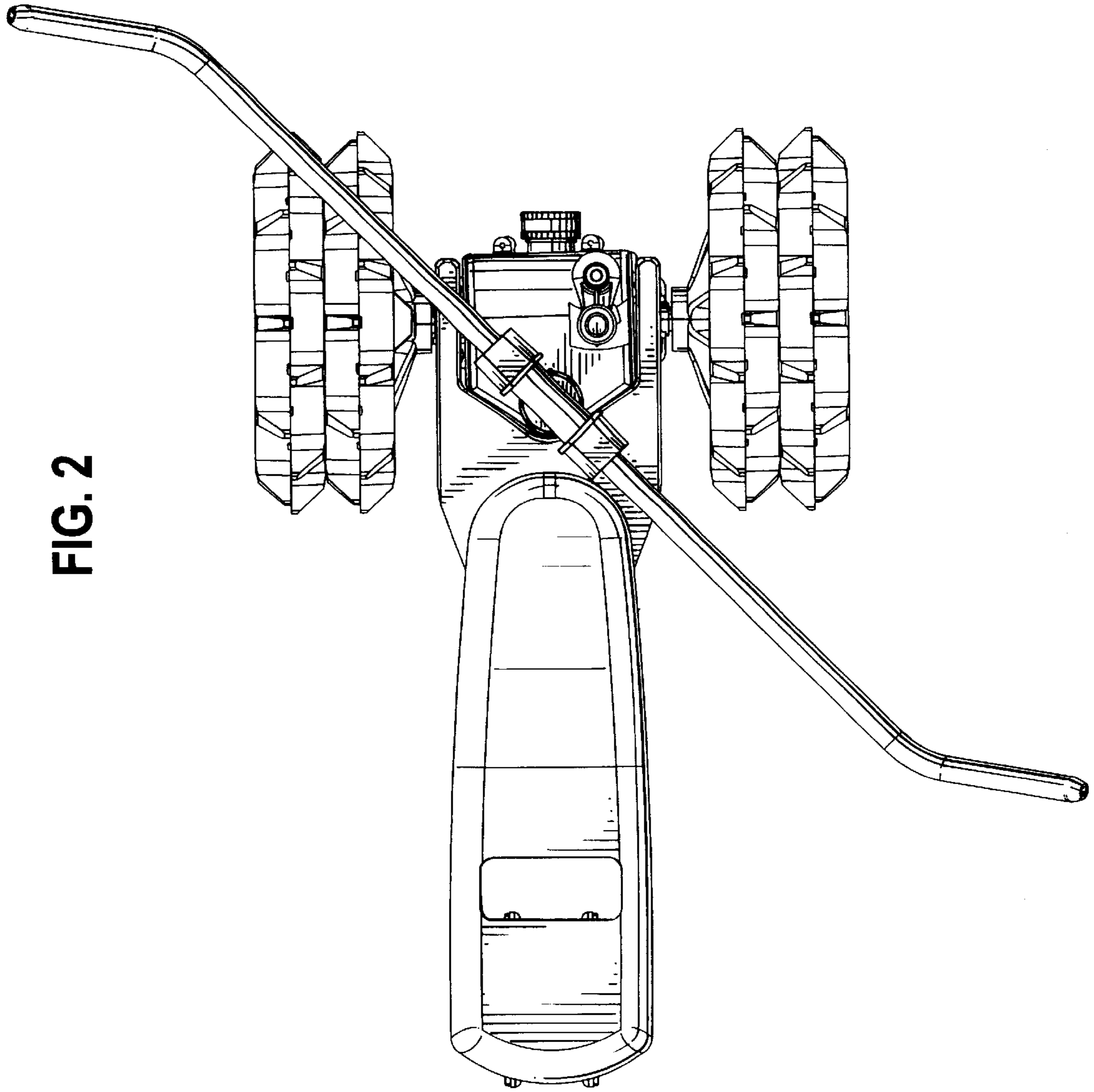


FIG. 2

FIG. 3

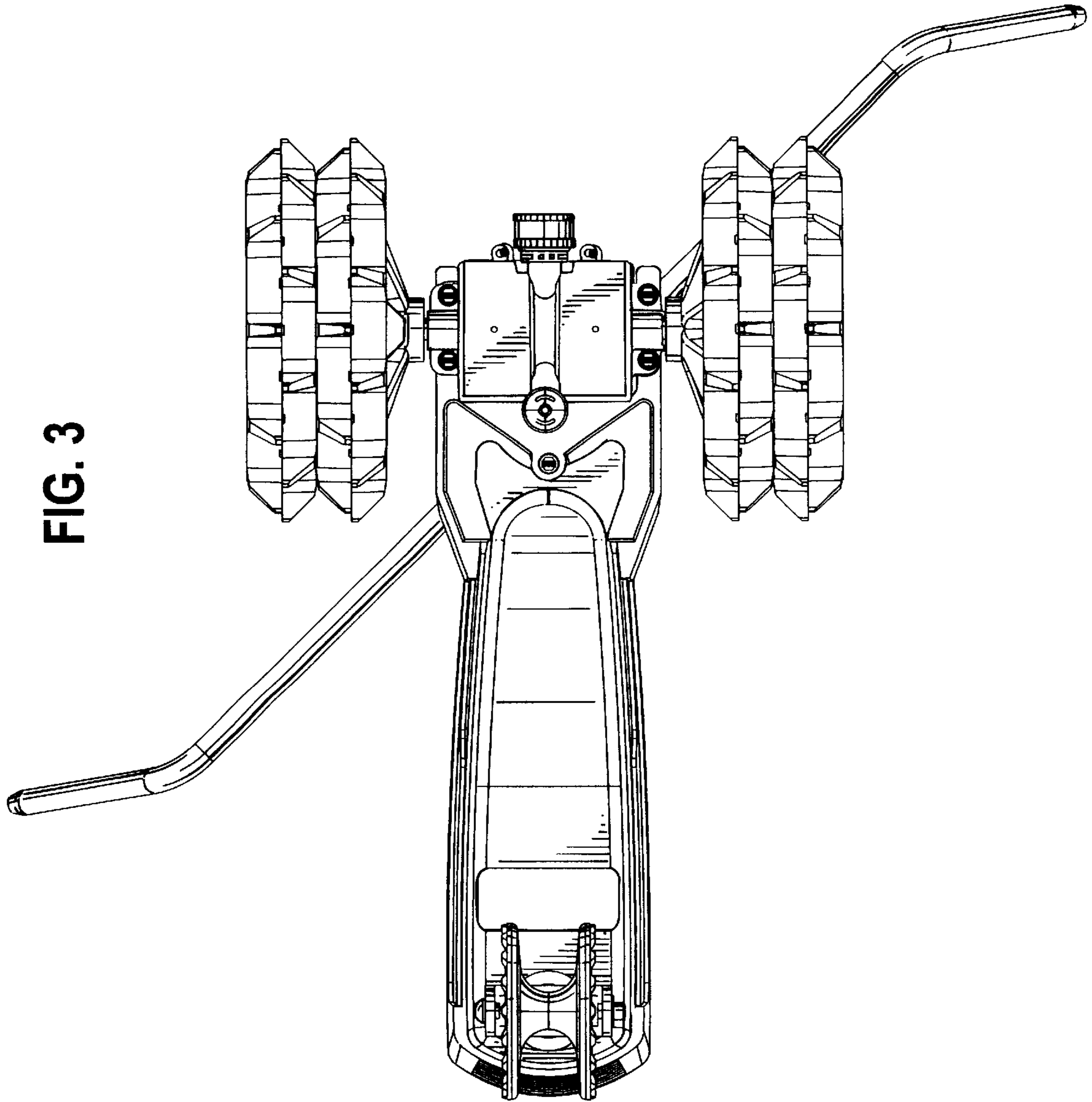


FIG. 4

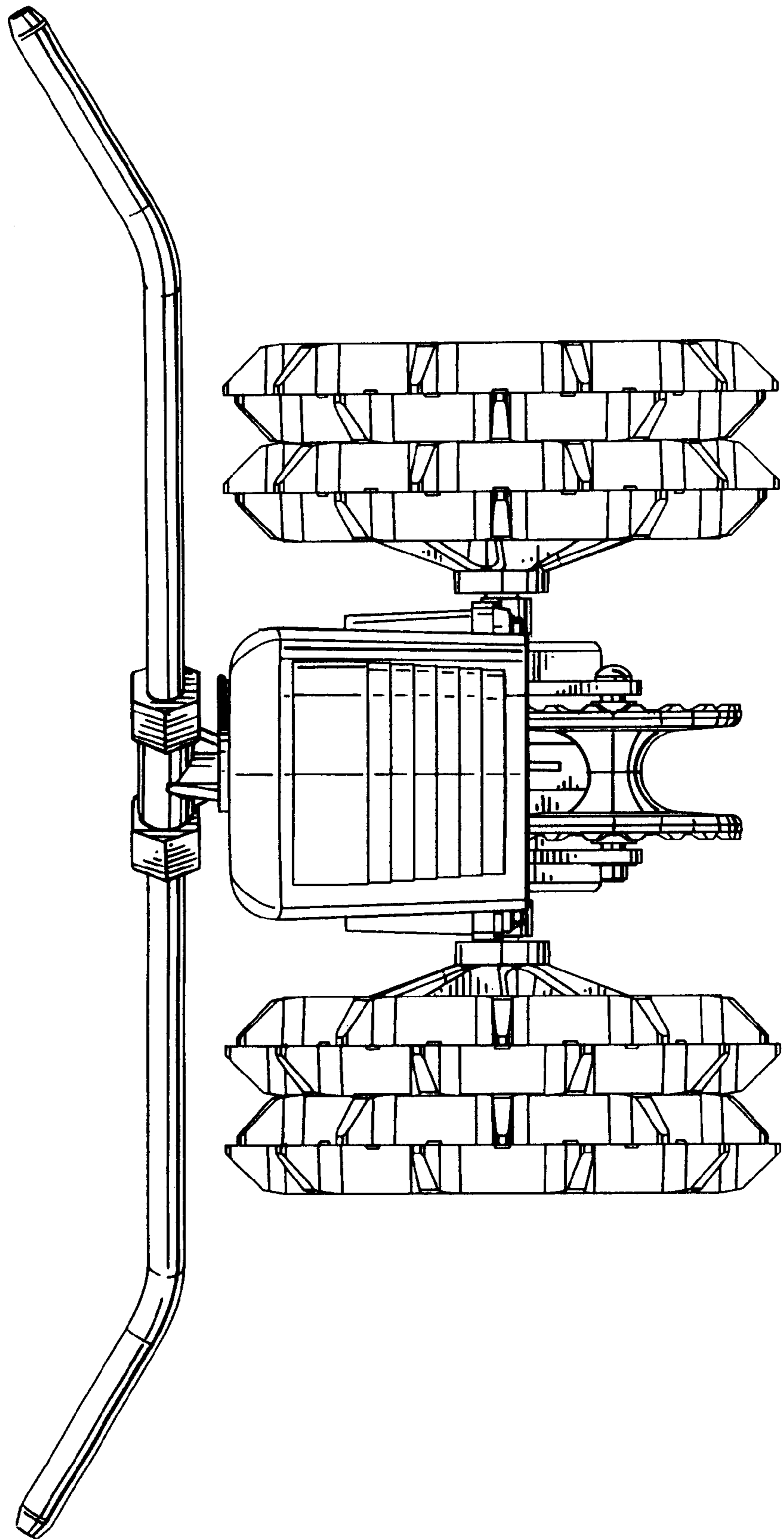


FIG. 5

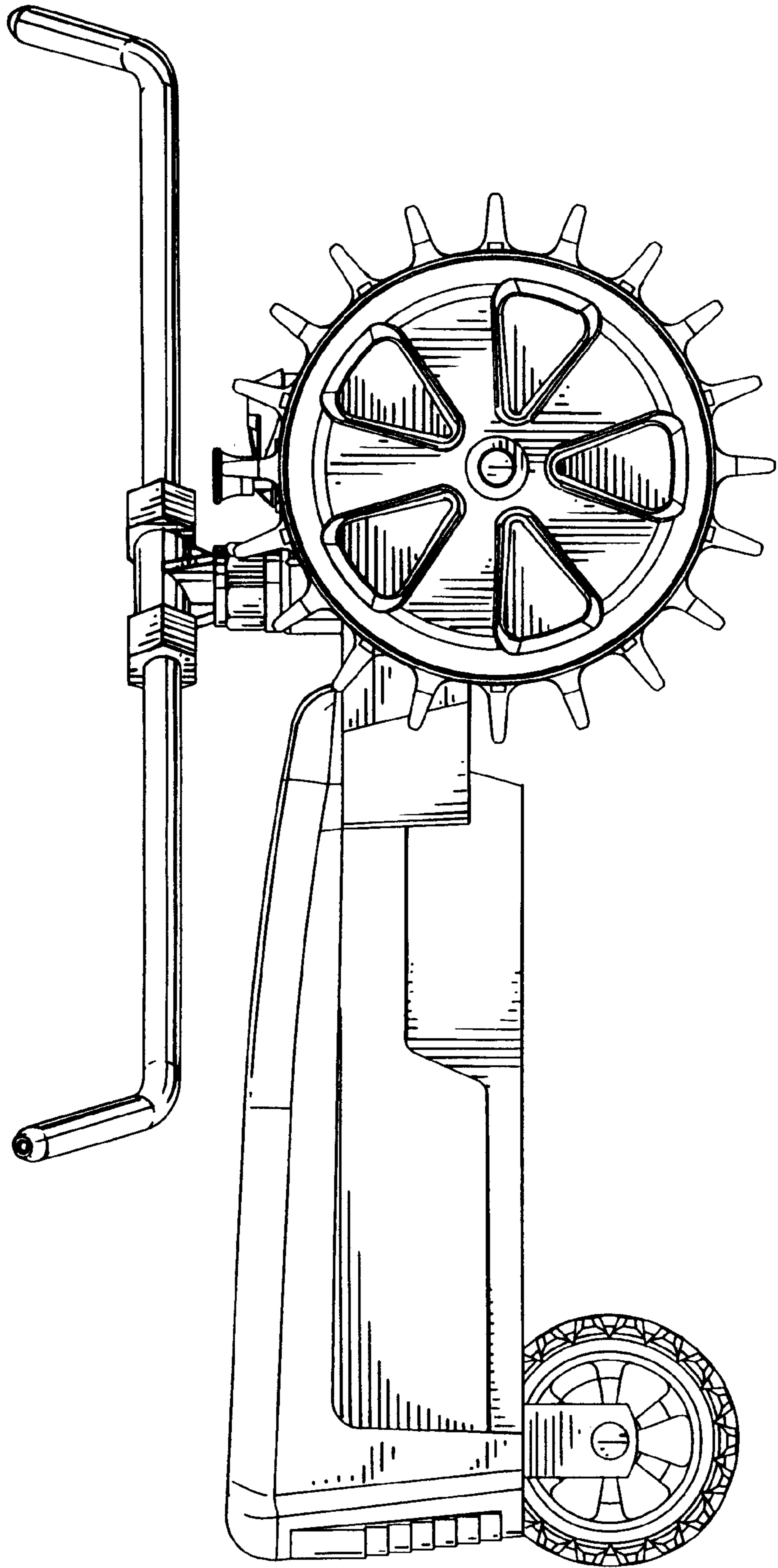


FIG. 6

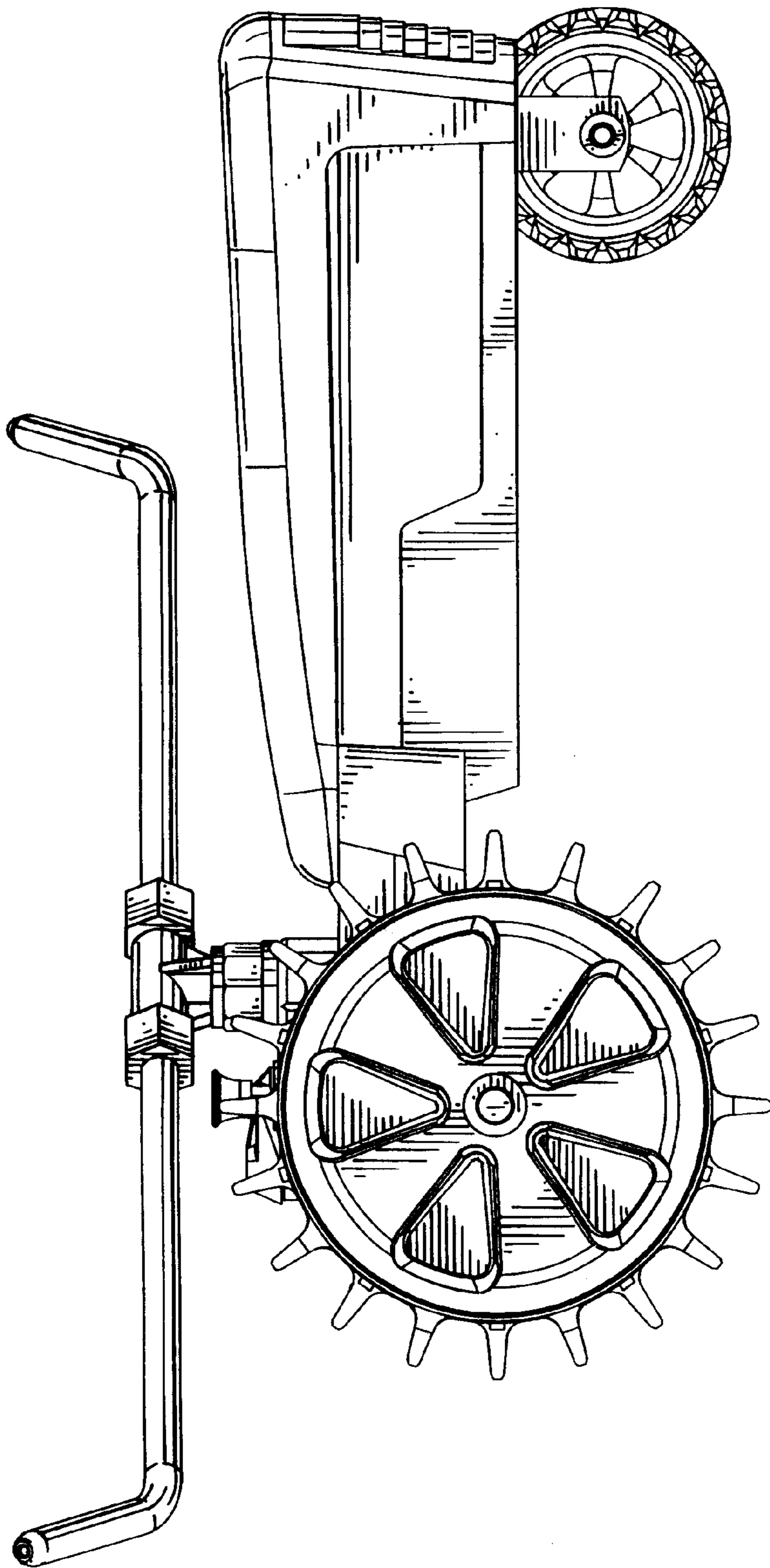


FIG. 7

