



US00D443914S

(12) **United States Design Patent**
Heren et al.

(10) **Patent No.:** **US D443,914 S**

(45) **Date of Patent:** **** Jun. 19, 2001**

(54) **NON-FLOW CONTROL ROTOR MODULE
ON A SPIKE**

4,819,875 * 4/1989 Beal 239/230
5,647,541 * 7/1997 Nelson 239/230

(75) Inventors: **Lawrence P. Heren**, East Peoria; **Scott
Jacobs**, Bloomington, both of IL (US)

OTHER PUBLICATIONS

Nelson catalog; item #1160 Rainpulse 85; p. 16, 1995.*

(73) Assignee: **L. R. Nelson Corporation**, Peoria, IL
(US)

* cited by examiner

(**) Term: **14 Years**

Primary Examiner—Robin V. Taylor

(74) *Attorney, Agent, or Firm*—Mayer, Brown & Platt

(21) Appl. No.: **29/124,436**

(57) **CLAIM**

(22) Filed: **Jun. 6, 2000**

The ornamental design for a non-flow control rotor module
on a spike, as shown and described.

(51) **LOC (7) Cl.** **23-01**

DESCRIPTION

(52) **U.S. Cl.** **D23/214**

(58) **Field of Search** D23/214, 217,
D23/219; 239/273, 276, 581.1, 230

FIG. 1 is a isometric view thereof;
FIG. 2 is a top plan view thereof;
FIG. 3 is a bottom plan view thereof,
FIG. 4 is a front elevational view showing my new design;
FIG. 5 is a right side elevational view thereof,
FIG. 6 is a left side elevational view thereof; and,
FIG. 7 is a rear elevational view thereof.

(56) **References Cited**

U.S. PATENT DOCUMENTS

2,421,551 * 6/1947 Dunham 239/230
3,103,313 * 9/1963 Raem 239/230
3,580,508 * 5/1971 Azusa et al. 239/230

1 Claim, 3 Drawing Sheets

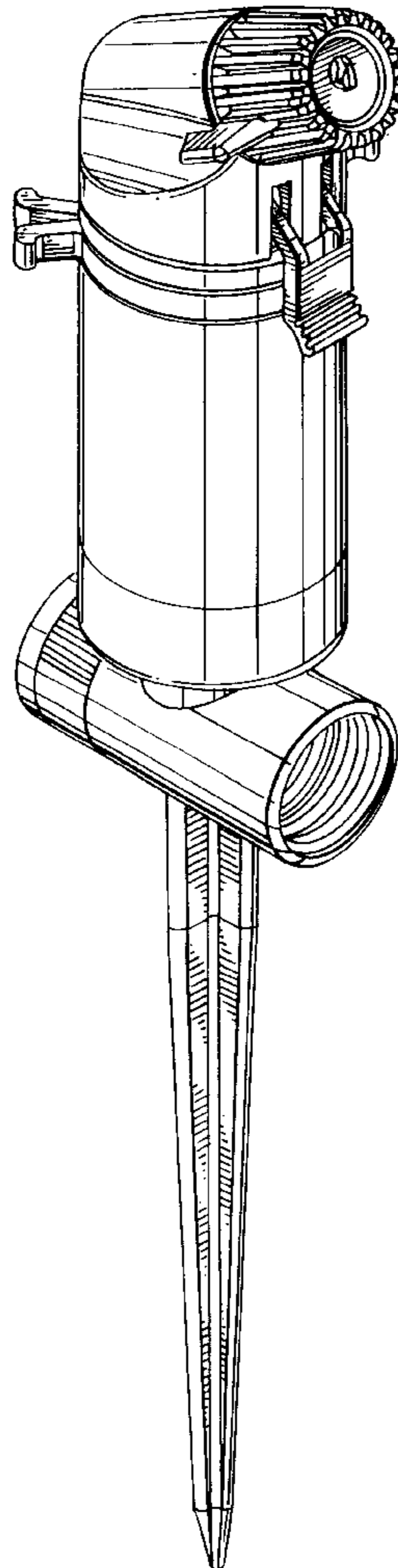


FIG. 1

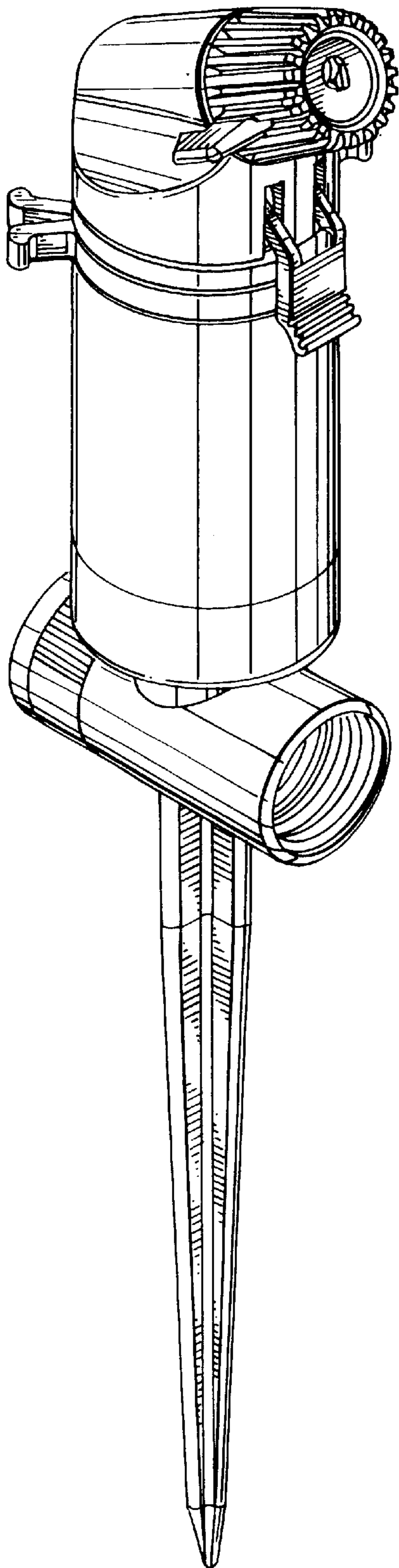


FIG. 2

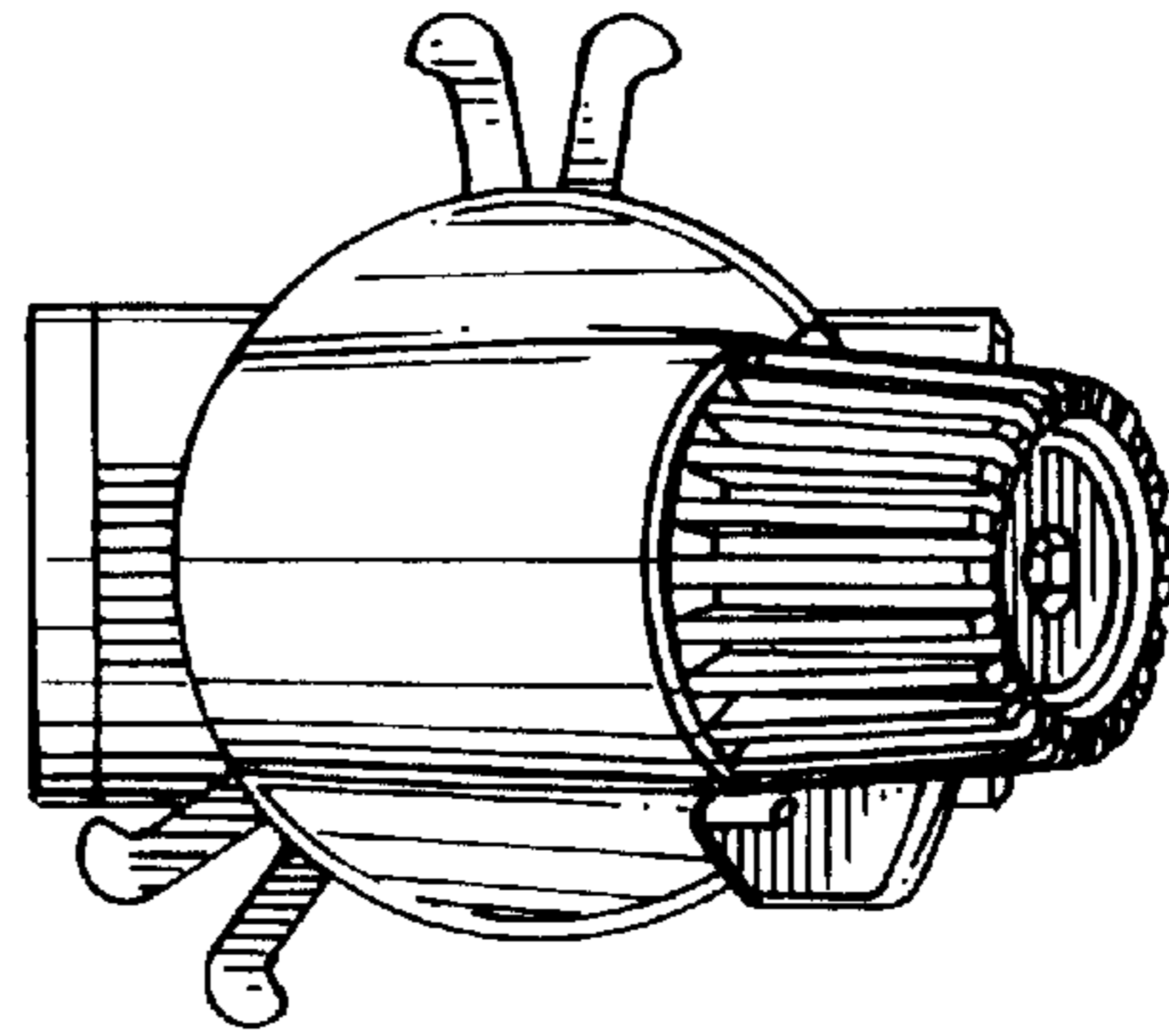


FIG. 3

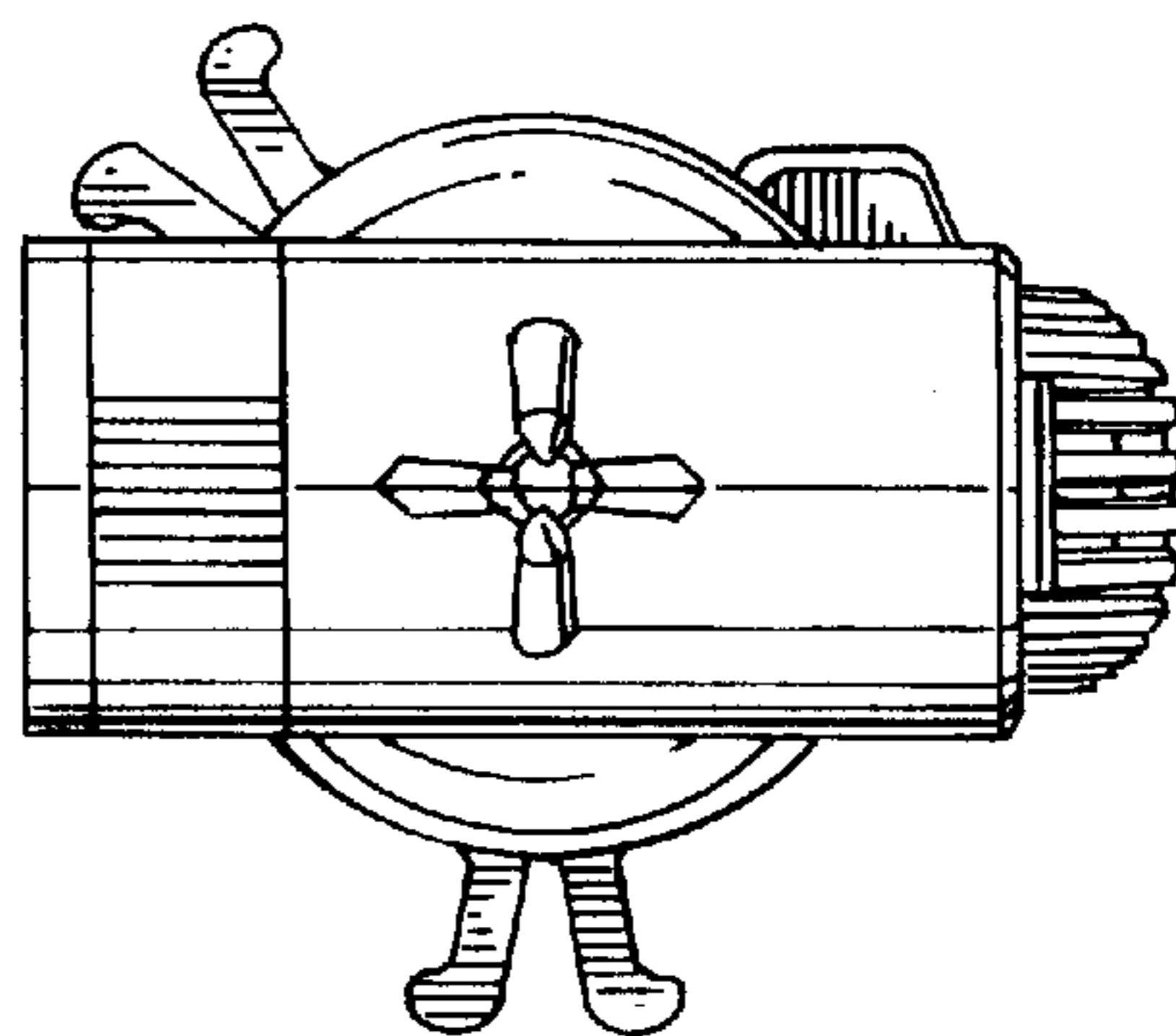


FIG. 4

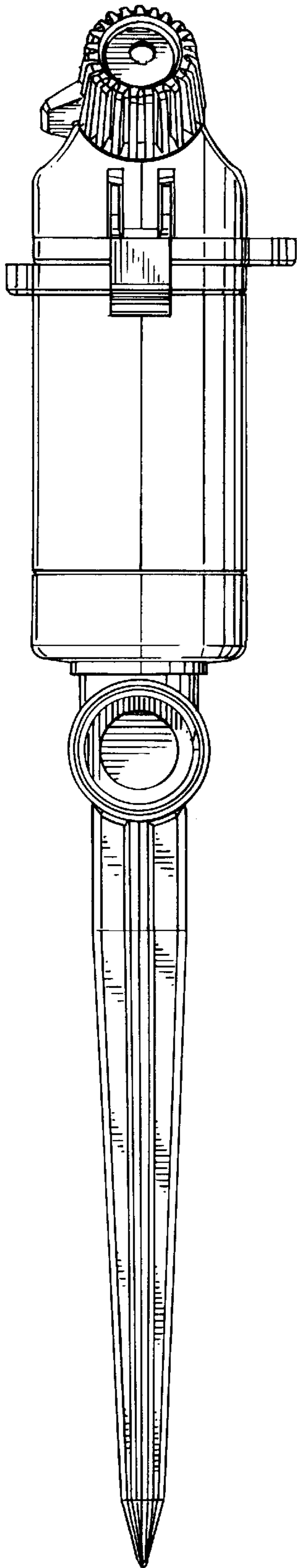


FIG. 5

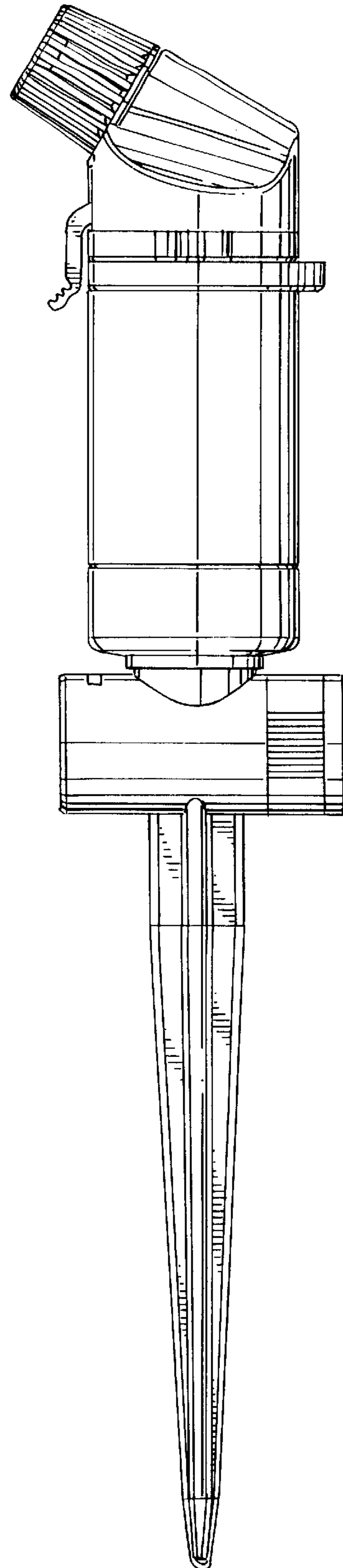


FIG. 6

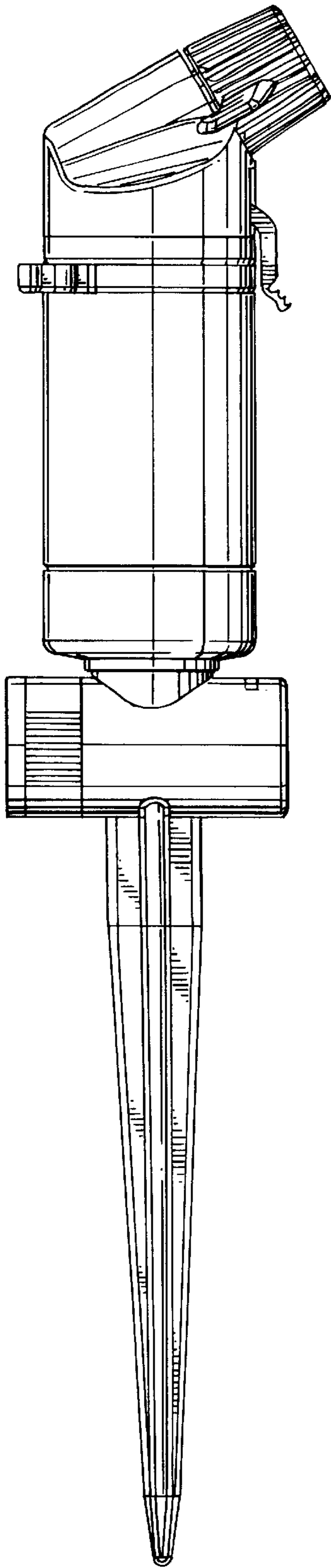


FIG. 7

