



US00D443906S

(12) **United States Design Patent**
Hettinger et al.

(10) **Patent No.:** **US D443,906 S**
(45) **Date of Patent:** **** Jun. 19, 2001**

(54) **MULTIPLE COMPONENT PUTTER HEAD**
(75) Inventors: **Ronald K. Hettinger**, Oceanside;
Augustin W. Rollinson, San Diego;
Joshua G. Breier, San Marcos, all of
CA (US)
(73) Assignee: **Callaway Golf Company**, Carlsbad,
CA (US)
(**) Term: **14 Years**
(21) Appl. No.: **29/131,009**
(22) Filed: **Oct. 11, 2000**
(51) **LOC (7) Cl.** **21-02**
(52) **U.S. Cl.** **D21/743**
(58) **Field of Search** D21/736-746;
473/324, 327-329, 340, 341, 251-256

3,937,474 2/1976 Jepson et al. .
3,975,023 8/1976 Inamori .
3,989,248 11/1976 Campau .
4,121,832 10/1978 Ebbing .
4,252,262 2/1981 Igarashi .
4,326,716 4/1982 Lacoste .
4,422,638 12/1983 Tucker .
4,451,042 5/1984 Hayashi et al. .
4,540,178 9/1985 Johnson et al. .
4,607,846 8/1986 Perkins .
4,792,140 12/1988 Yamaguchi et al. .
4,801,146 1/1989 Honma .
4,804,188 2/1989 McKee et al. .
4,812,187 3/1989 Honma .
4,884,812 12/1989 Nagasaki et al. .
5,078,398 1/1992 Reed et al. .
5,176,383 1/1993 Duclos .
5,178,392 1/1993 Santioni .
5,198,062 3/1993 Chen .
5,277,423 1/1994 Hutinartus .
5,299,807 4/1994 Hutin .

(List continued on next page.)

(56) **References Cited**

U.S. PATENT DOCUMENTS

D. 207,227 * 3/1967 Solheim D21/739
D. 207,228 * 3/1967 Solheim D21/743
D. 368,126 3/1996 Magerman et al. .
D. 373,161 8/1996 Schmidt et al. .
D. 380,246 * 6/1997 Solheim et al. D21/736
D. 389,207 * 1/1998 Cameron D21/742
D. 408,881 4/1999 Solheim et al. .
D. 410,267 * 5/1999 Solheim et al. D21/736
D. 426,599 * 6/2000 Morgan et al. D21/736
D. 428,086 * 7/2000 Solheim D21/743
D. 438,273 * 2/2001 Sizemore et al. D21/736
1,320,163 10/1919 Maurice .
1,525,352 2/1925 Aitkin .
1,535,270 4/1925 Tyler .
1,543,691 6/1925 Beat .
1,840,451 1/1932 Jansky .
2,034,936 3/1936 Barnhart .
2,534,947 12/1950 Bright .
3,064,980 11/1962 Steiner .
3,547,445 12/1970 Hardesty .
3,567,228 3/1971 Lynn .
3,571,900 3/1971 Hardesty .
3,659,855 5/1972 Hardesty .

FOREIGN PATENT DOCUMENTS

0891790 A2 7/1998 (EP) .
09037121 8/1998 (JP) .

Primary Examiner—Mitchell Siegel
(74) *Attorney, Agent, or Firm*—Michael Catania

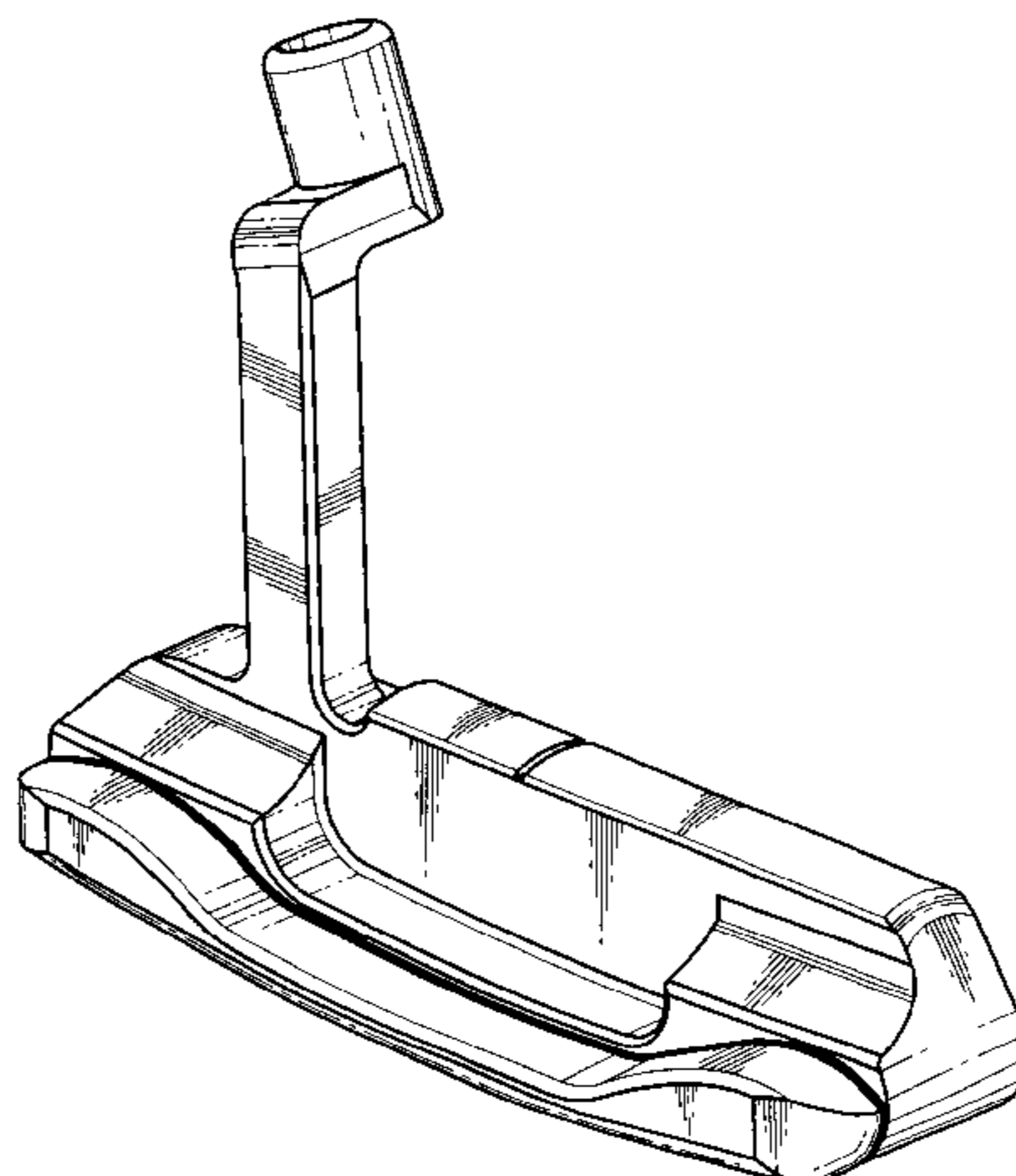
(57) **CLAIM**

The ornamental design for a multiple component putter head, as shown and described.

DESCRIPTION

FIG. 1 is a perspective view of a multiple component putter head;
FIG. 2 is a top plan front view thereof;
FIG. 3 is a front view thereof;
FIG. 4 is a rear view thereof;
FIG. 5 is a toe end view thereof; and
FIG. 6 is a heel end view thereof; and,
FIG. 7 is a bottom plan view thereof.

1 Claim, 2 Drawing Sheets



US D443,906 S

Page 2

U.S. PATENT DOCUMENTS

5,301,941	4/1994	Allen .	5,570,886	11/1996	Rigal et al. .
5,303,922	4/1994	Lo .	5,575,472	11/1996	Magerman et al. .
5,316,298	5/1994	Hutin et al. .	5,586,947	12/1996	Hutin .
5,342,812	8/1994	Niskanen et al. .	5,605,510	2/1997	Schmidt et al. .
5,346,216	9/1994	Aizawa .	5,674,132	10/1997	Fisher .
5,354,059	10/1994	Stuff .	5,690,562	11/1997	Sturm .
5,358,249	10/1994	Mendralla .	5,713,800	2/1998	Su .
5,405,136	4/1995	Hardman .	5,743,813	4/1998	Chen et al. .
5,405,137	4/1995	Vincent et al. .	5,766,093	6/1998	Rohrer .
5,417,419	5/1995	Anderson et al. .	5,766,094	6/1998	Mahaffey et al. .
5,439,223	8/1995	Kobayashi .	5,776,010	7/1998	Helmstetter et al. .
5,447,311	9/1995	Viollaz et al. .	5,816,936	10/1998	Aizawa et al. .
5,458,332	10/1995	Fisher .	5,842,935	12/1998	Nelson .
5,460,377	10/1995	Schmidt et al. .	5,921,871	7/1999	Fisher .
5,464,212	11/1995	Cook .	5,924,939	7/1999	Grace et al. .
5,485,997	1/1996	Schmidt et al. .	5,931,743	8/1999	Baker et al. .
5,524,331	6/1996	Pond .	5,944,619	8/1999	Cameron .
5,542,675	8/1996	Micciche et al. .	5,951,412	9/1999	Rose et al. .

* cited by examiner

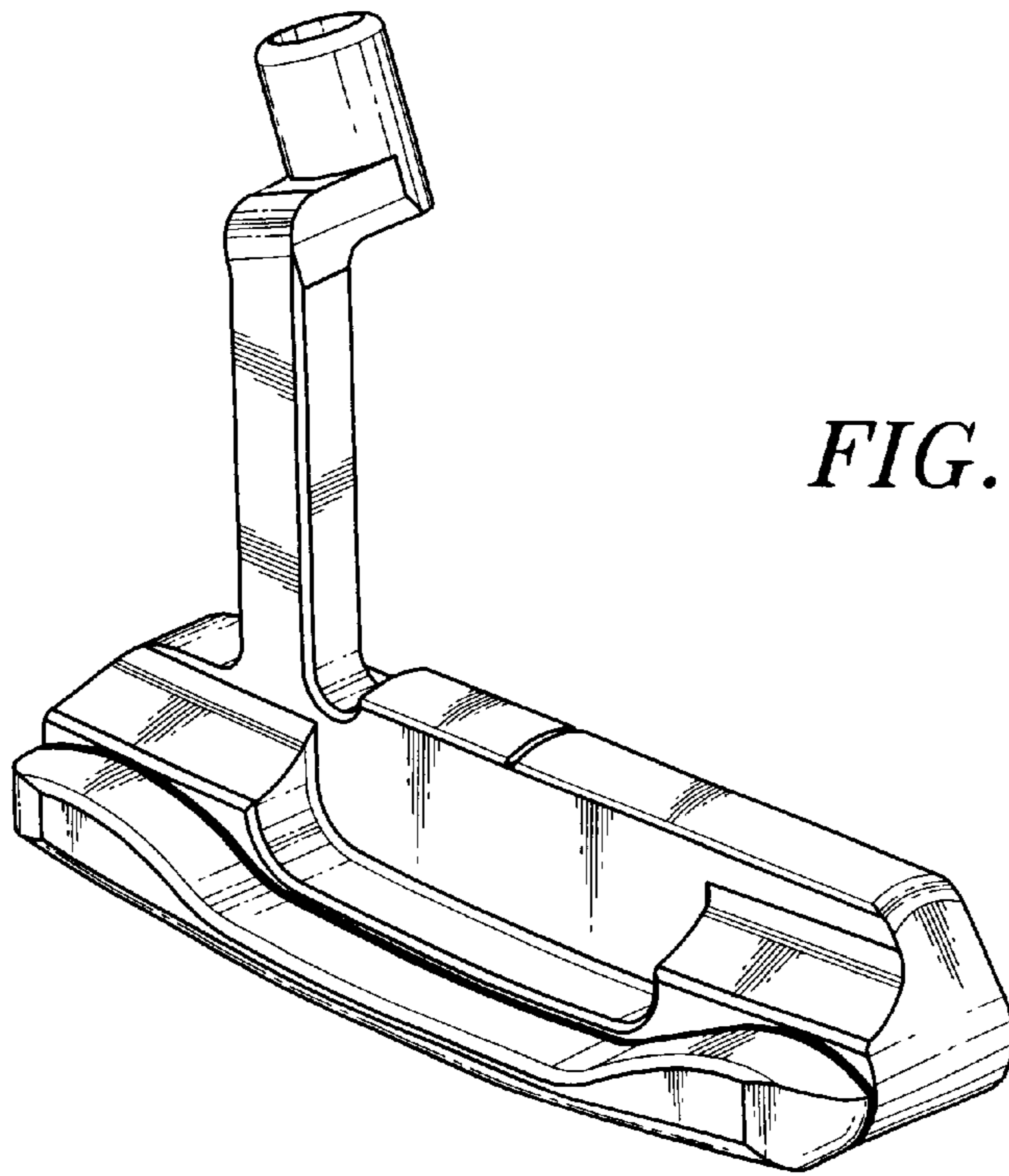


FIG. 1

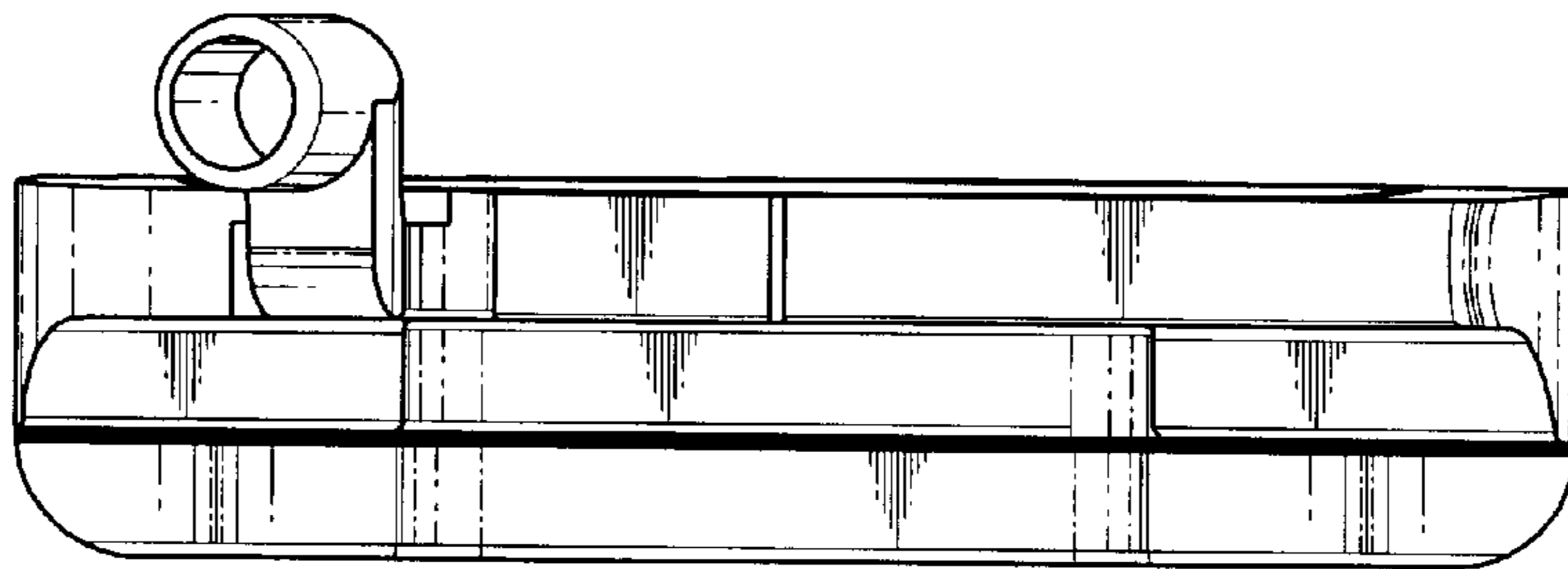


FIG. 2

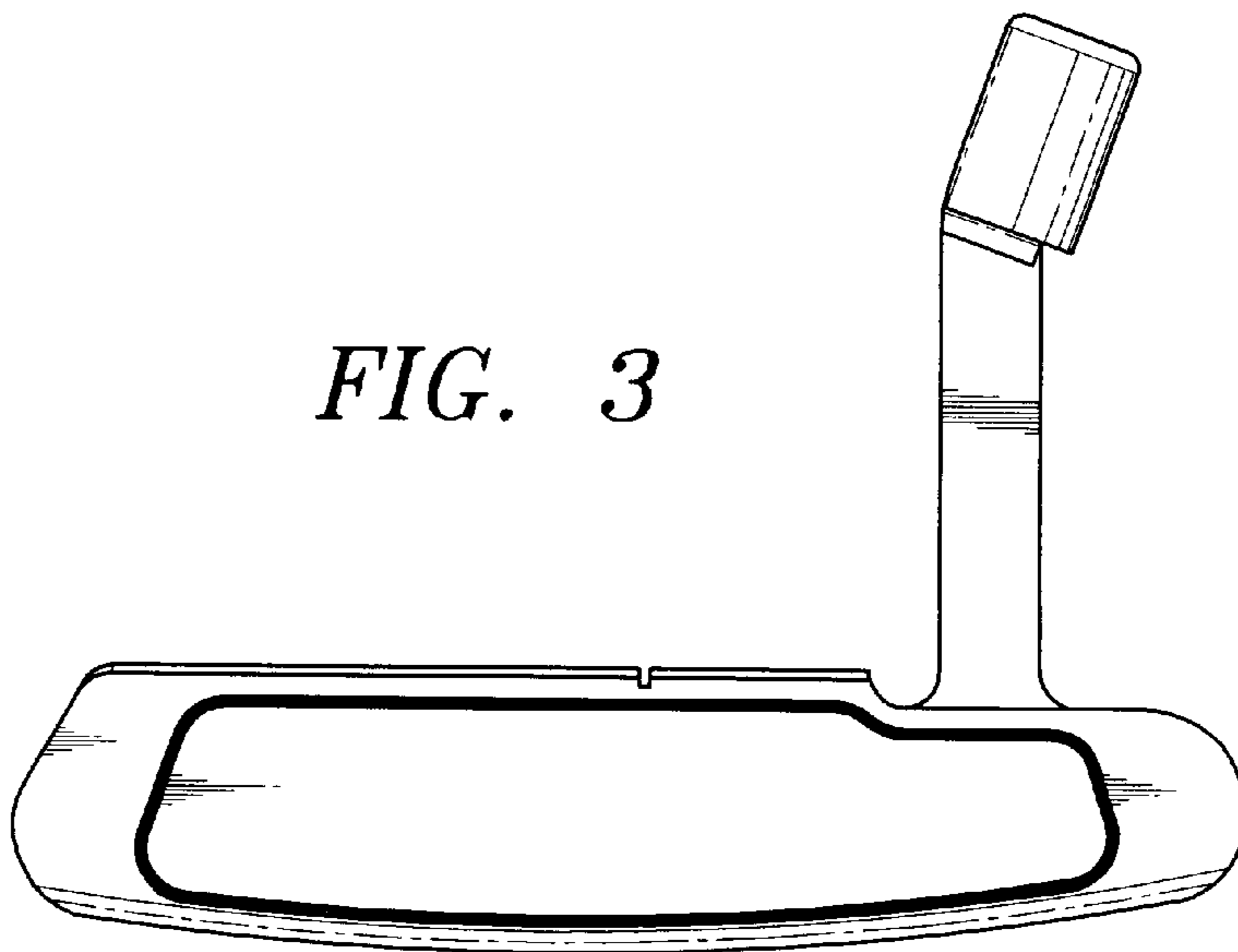


FIG. 3

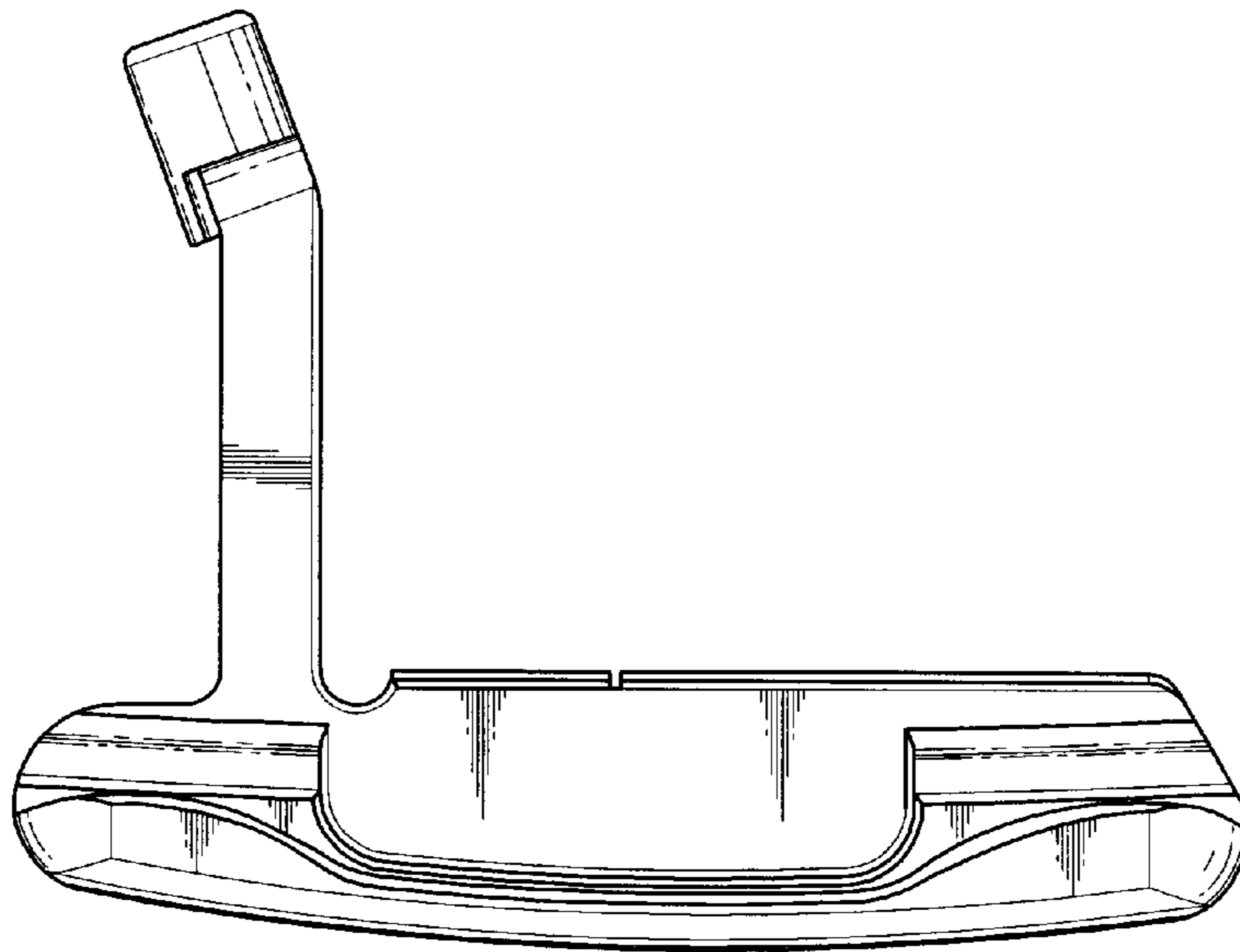


FIG. 4

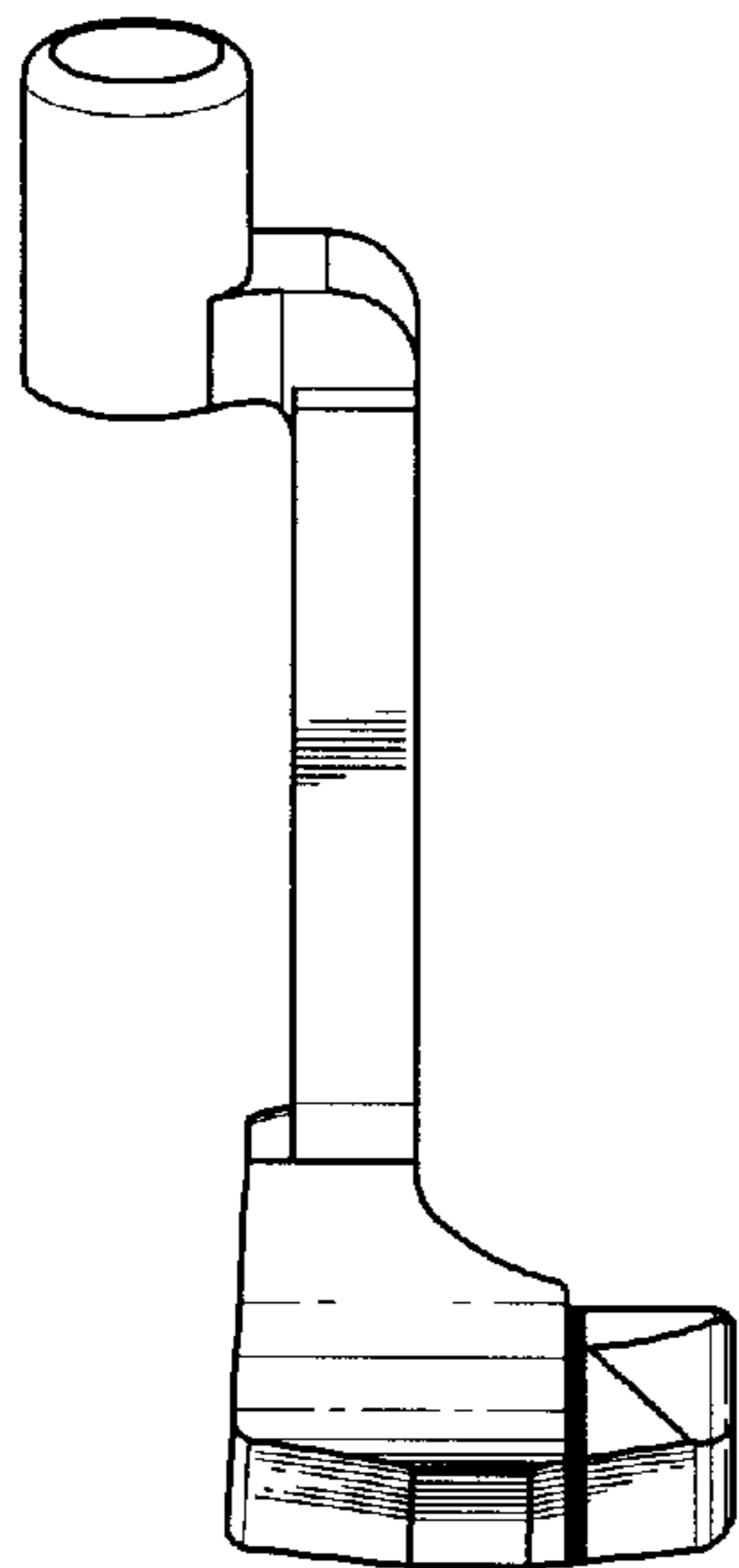


FIG. 5

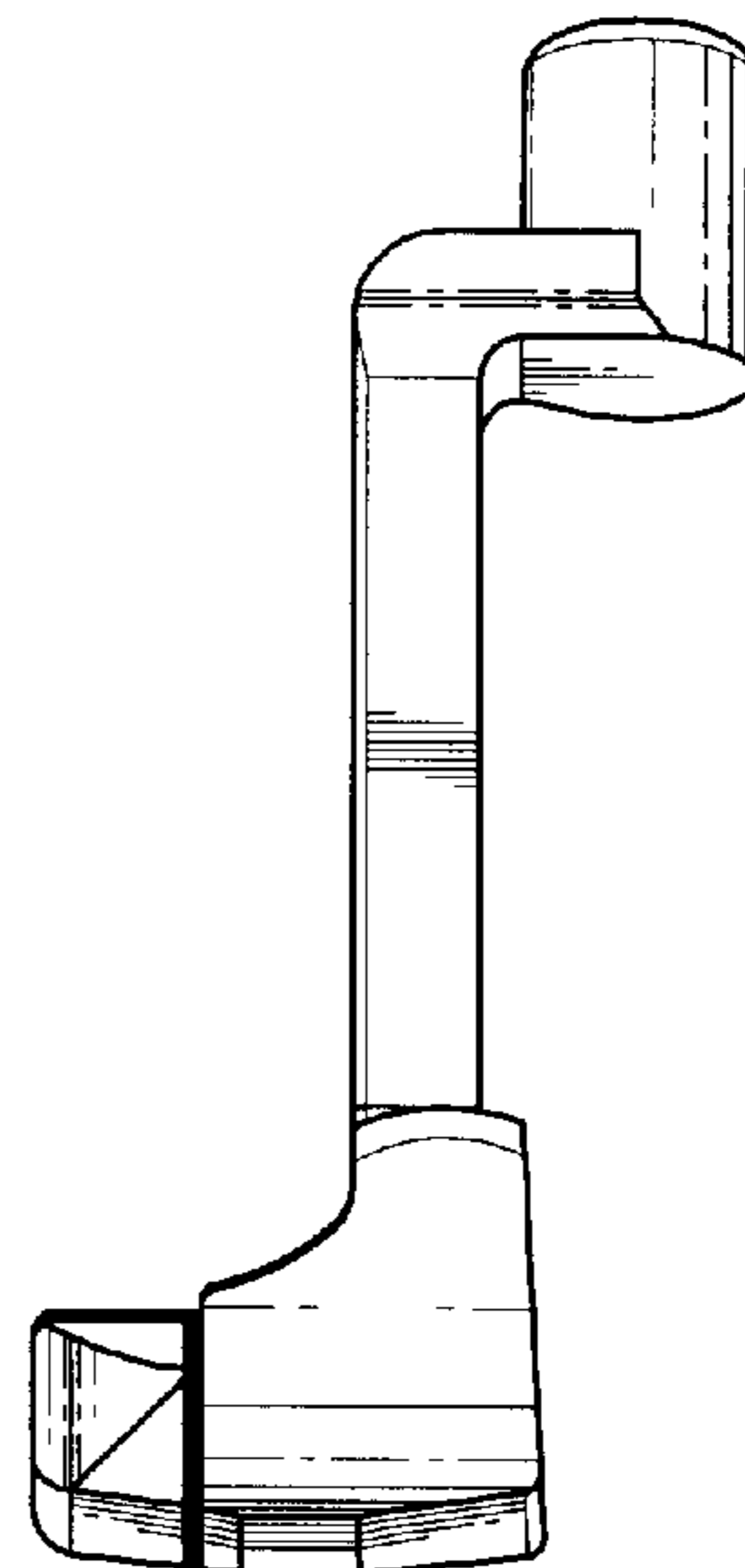


FIG. 6

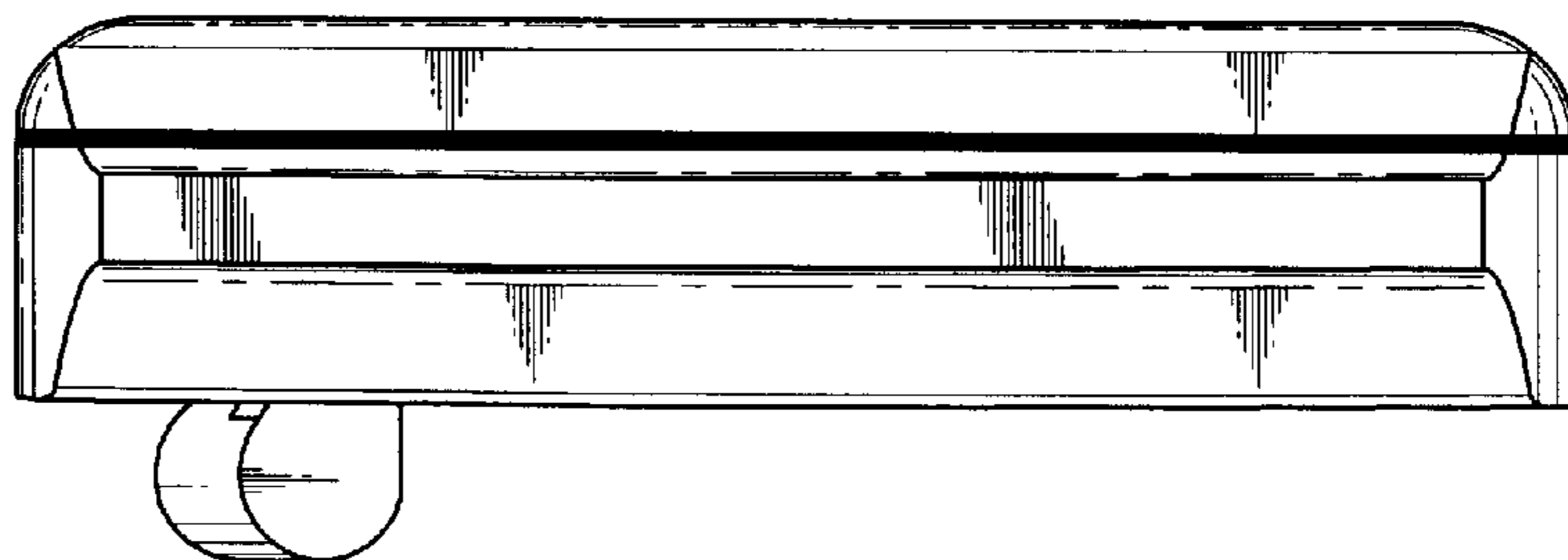


FIG. 7