



US00D443905S

(12) **United States Design Patent**  
**Nicolette et al.**

(10) **Patent No.:** **US D443,905 S**

(45) **Date of Patent:** **\*\* Jun. 19, 2001**

(54) **GOLF PUTTER HEAD**

(75) Inventors: **Michael R. Nicolette**, Cave Creek;  
**James Wells**, Phoenix, both of AZ (US)

(73) Assignee: **Karsten Manufacturing Corp.**,  
Phoenix, AZ (US)

(\*\*) Term: **14 Years**

(21) Appl. No.: **29/123,677**

(22) Filed: **May 22, 2000**

(51) **LOC (7) Cl.** ..... **21-02**

(52) **U.S. Cl.** ..... **D21/743**

(58) **Field of Search** ..... D21/736-746;  
473/324, 327, 328, 340, 341, 251-256

(56) **References Cited**

**U.S. PATENT DOCUMENTS**

D. 207,227	3/1967	Solheim	.....	D34/5
D. 209,761	1/1968	Solheim	.....	D34/5
D. 213,509	3/1969	Solheim	.....	D34/5
D. 231,375	* 4/1974	Solheim	.....	D21/742
D. 255,373	6/1980	Solheim	.....	D21/219
D. 341,405	11/1993	Solheim	.....	D21/219

D. 380,246	6/1997	Solheim	.....	D21/217
D. 396,080	* 7/1998	Bottema	.....	D21/736
D. 399,911	10/1998	Nicolette et al.	.....	D21/736
D. 405,836	2/1999	Nicolette et al.	.....	D21/217
D. 408,064	* 4/1999	Stucker	.....	D21/736
D. 427,262	* 6/2000	Frezetta	.....	D21/743

\* cited by examiner

*Primary Examiner*—Mitchell Siegel

(74) *Attorney, Agent, or Firm*—Darrell F. Marquette

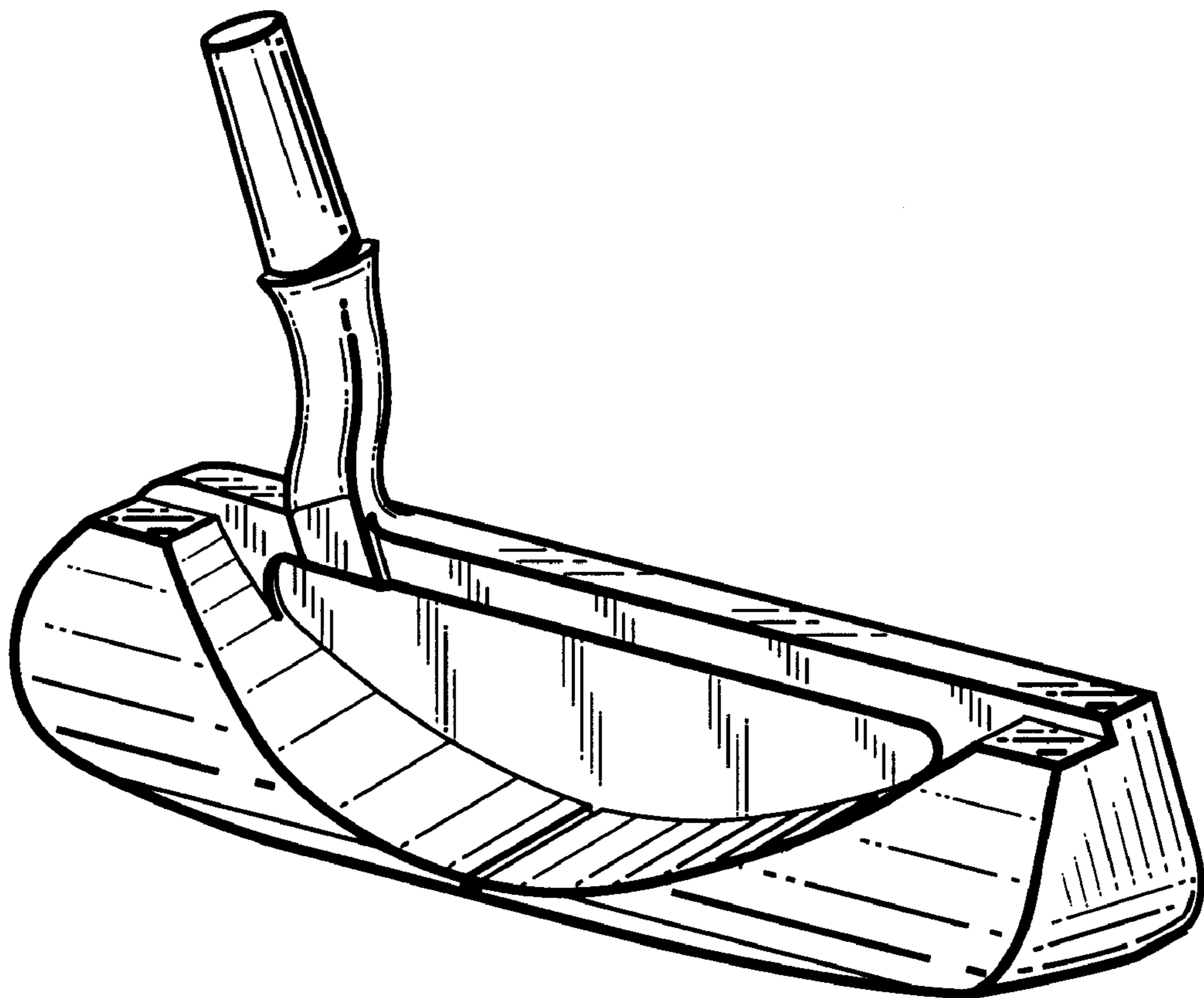
(57) **CLAIM**

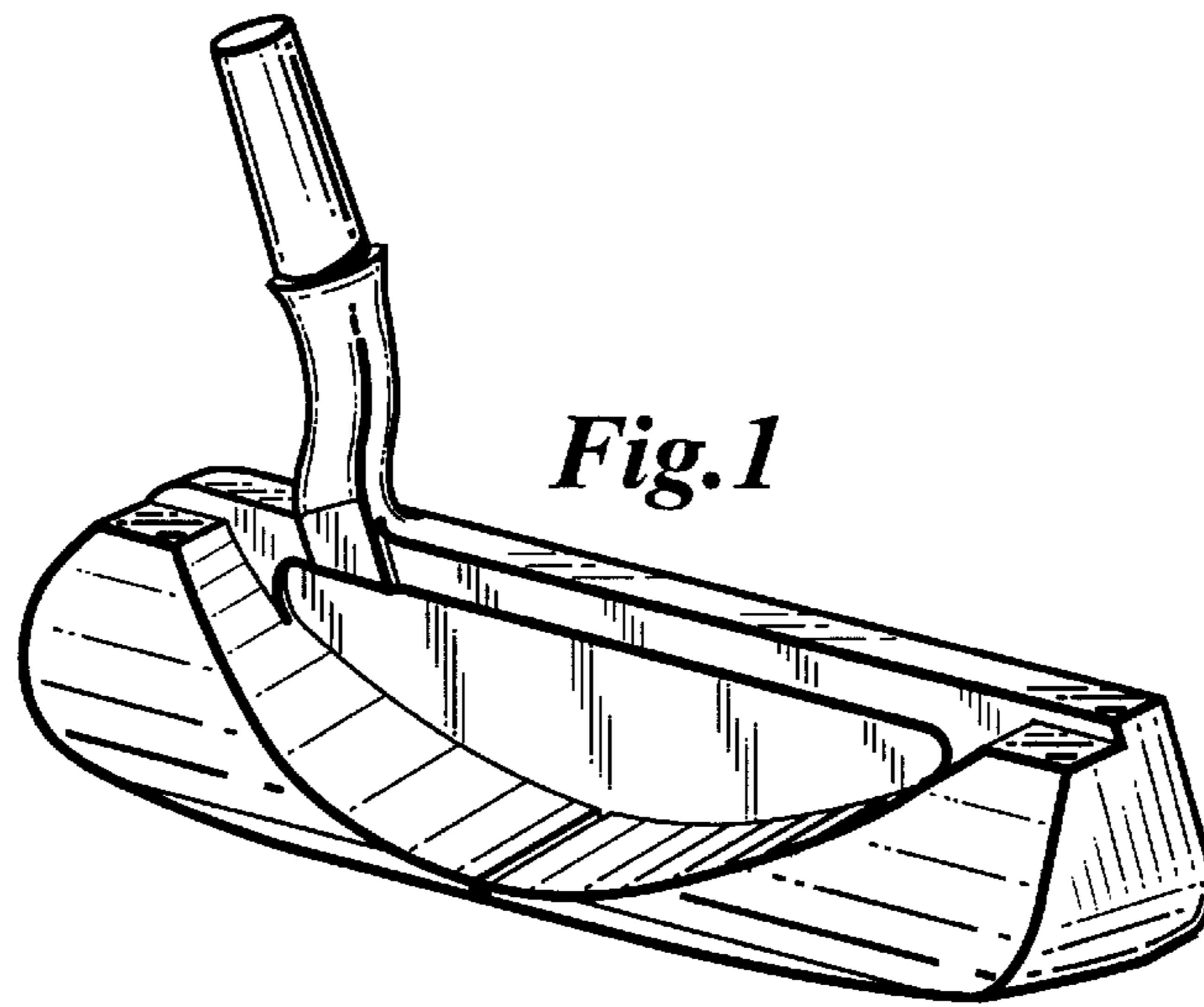
The ornamental design for a golf putter head, as shown and described.

**DESCRIPTION**

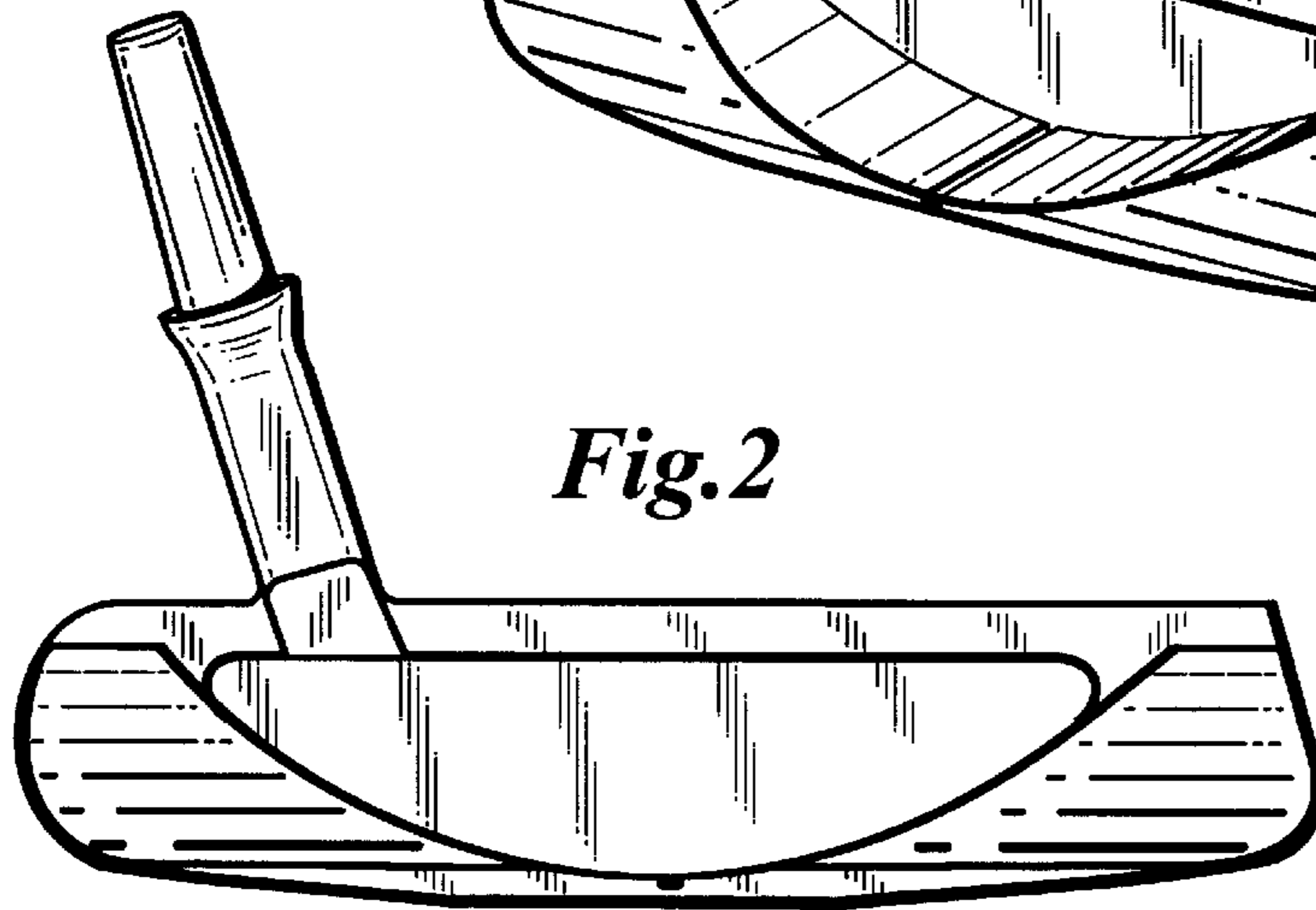
FIG. 1 is a perspective view of a golf putter head showing our new design;  
FIG. 2 is a rear elevational view of the golf putter head;  
FIG. 3 is a toe end view of the golf putter head;  
FIG. 4 is a top plan view of the golf putter head;  
FIG. 5 is a front elevational view of the golf putter head;  
FIG. 6 is a heel end view of the golf putter head; and,  
FIG. 7 is a bottom view of the golf putter head.

**1 Claim, 1 Drawing Sheet**

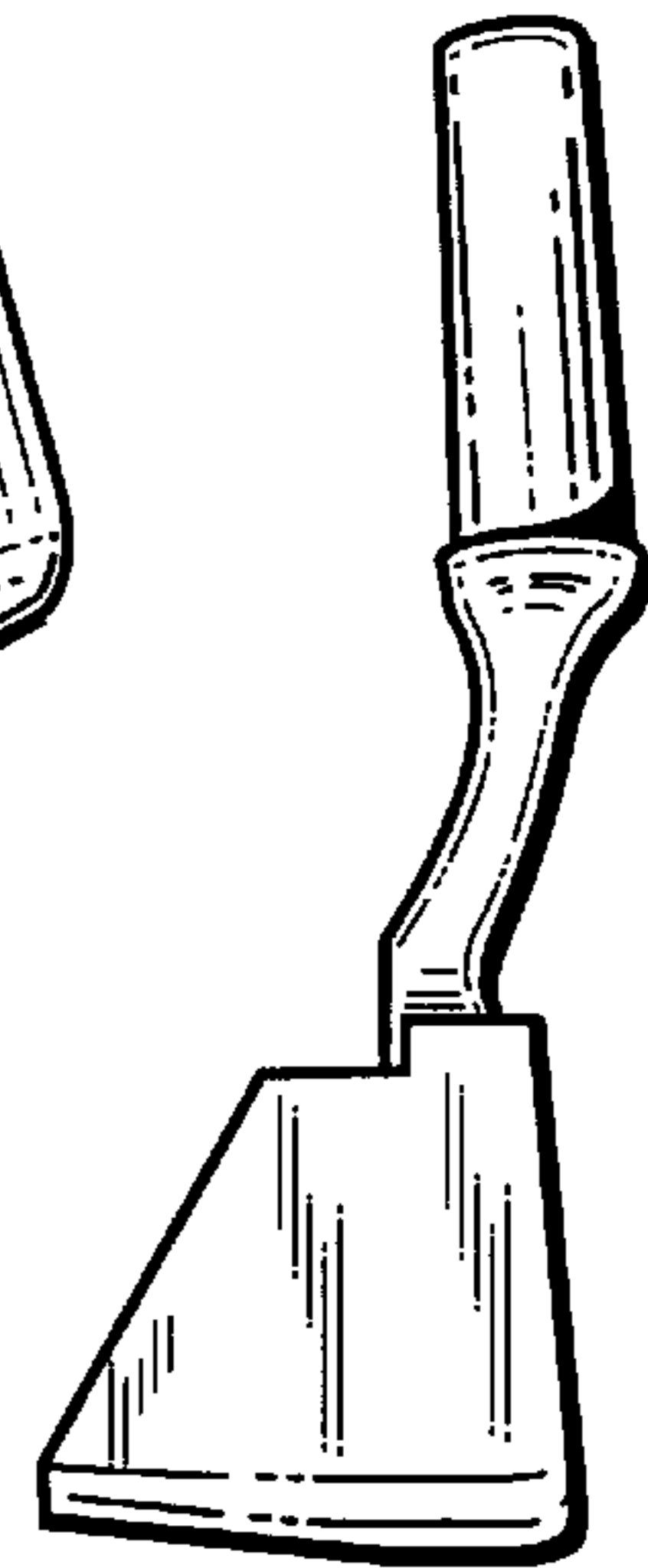




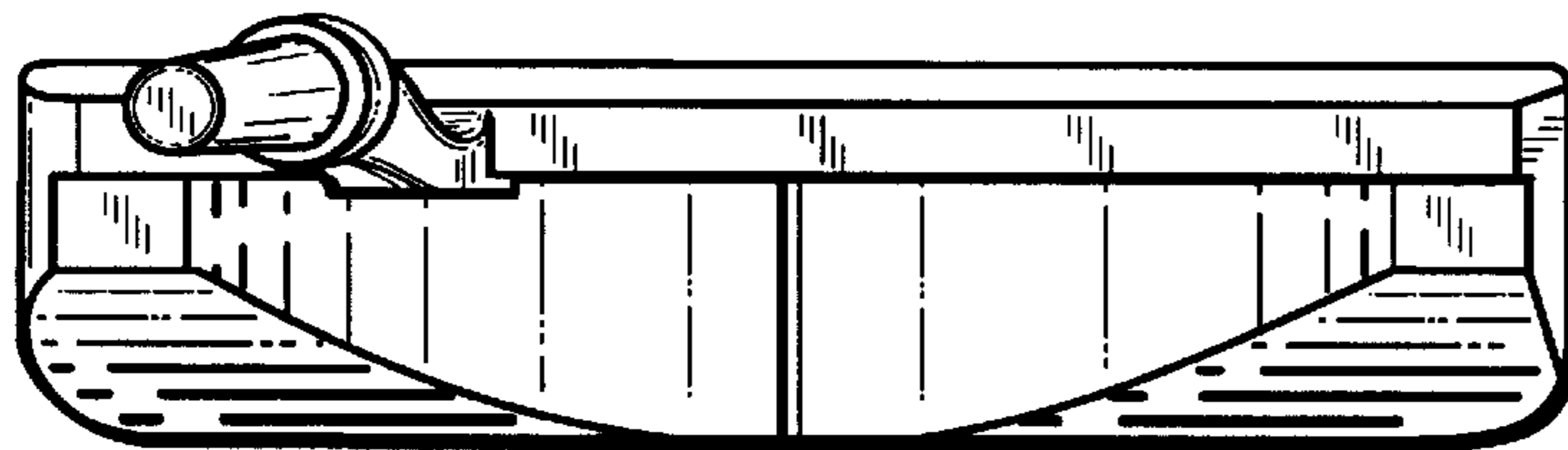
*Fig. 1*



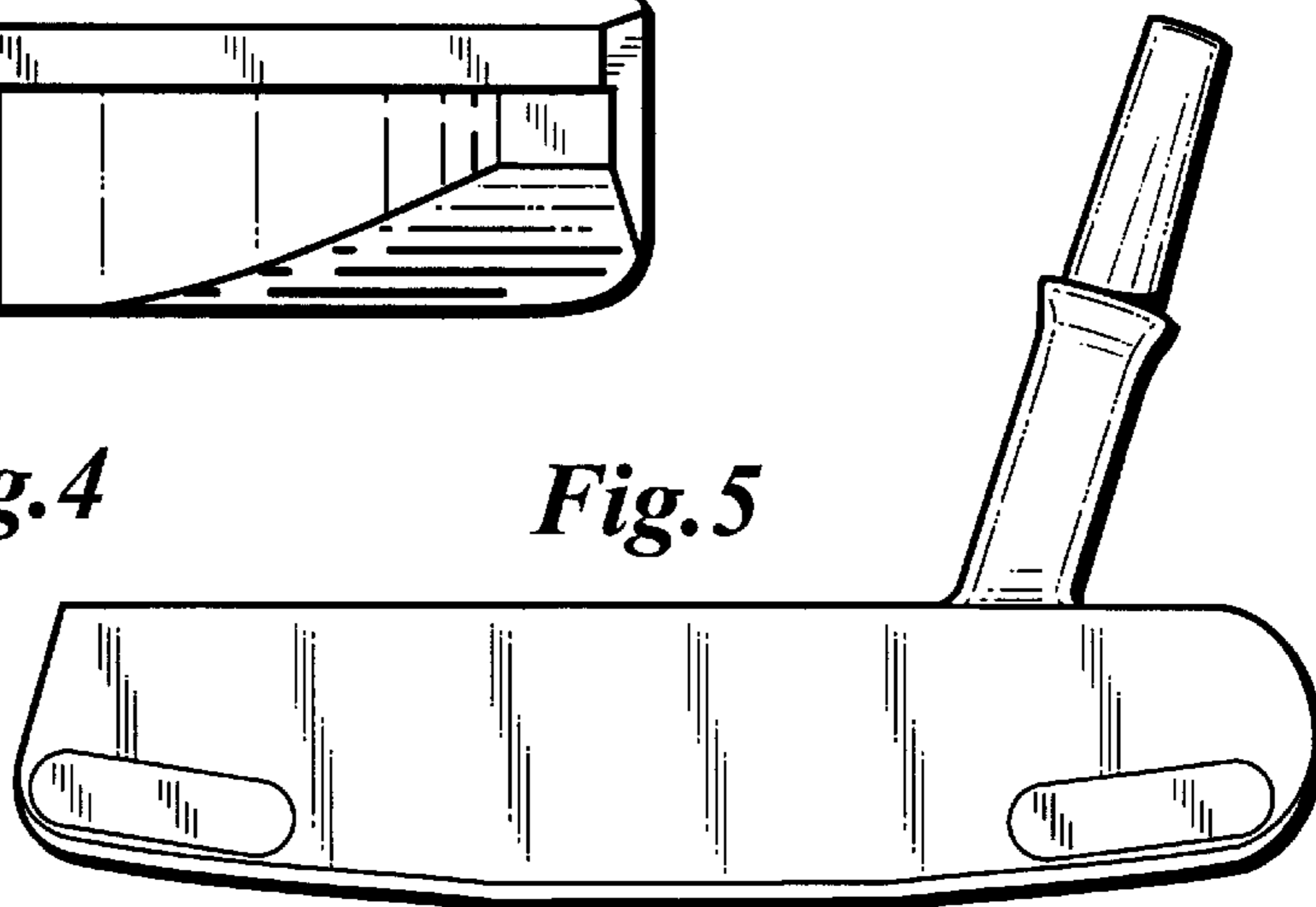
*Fig. 2*



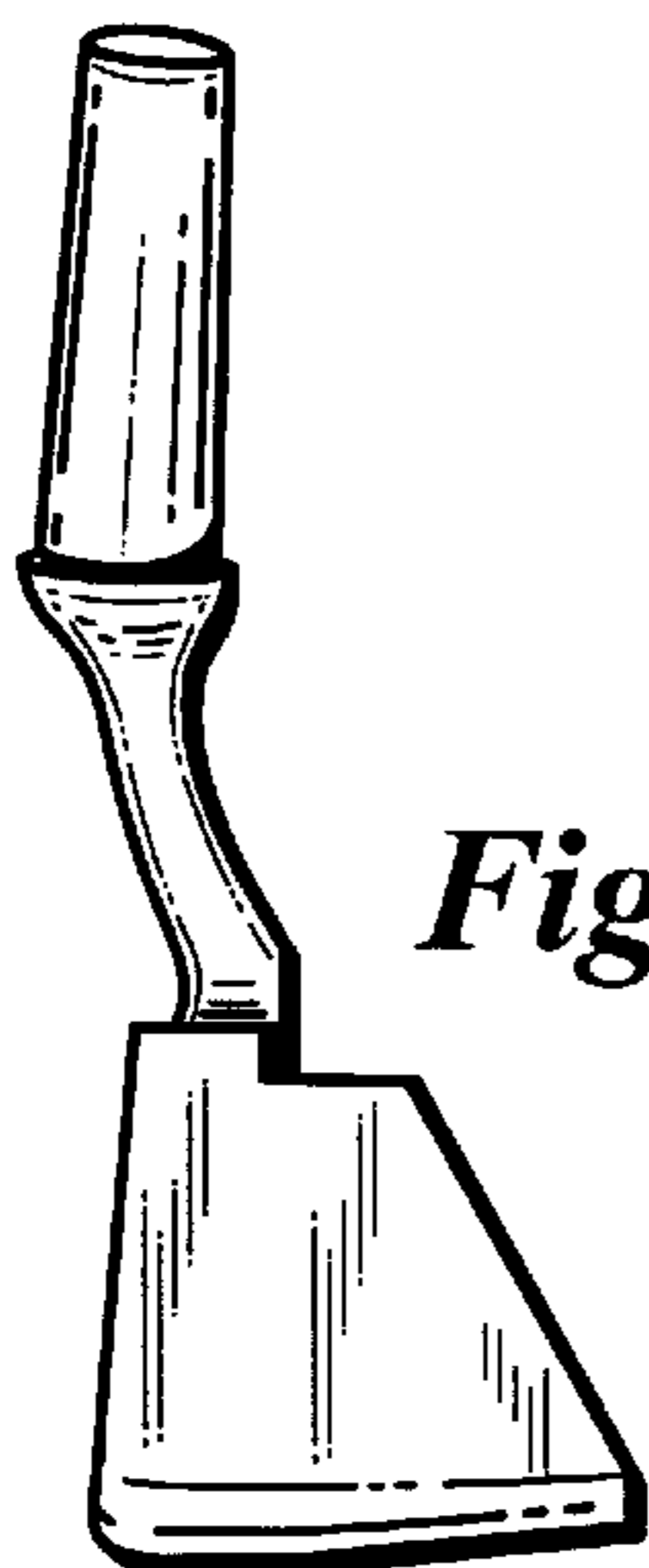
*Fig. 3*



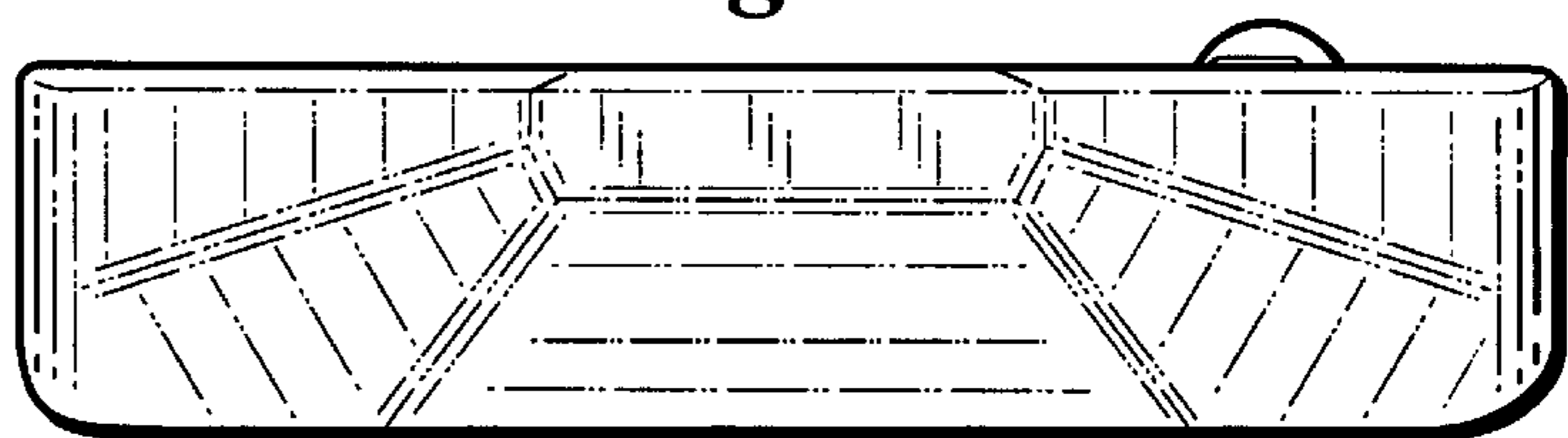
*Fig. 4*



*Fig. 5*



*Fig. 6*



*Fig. 7*