



US00D443892S

(12) **United States Design Patent**
Sekine et al.

(10) **Patent No.:** **US D443,892 S**

(45) **Date of Patent:** **** Jun. 19, 2001**

(54) **INK CARTRIDGE WITH PRINTING HEAD FOR PRINTER**

(75) Inventors: **Tetsuya Sekine**, Yokohama; **Toshiaki Hirosawa**, Hiratsuka; **Shogo Kawamura**, Numazu; **Riichi Saito**, Fujisawa; **Osamu Morita**, Yokosuka, all of (JP)

(73) Assignee: **Canon Kabushiki Kaisha**, Tokyo (JP)

(**) Term: **14 Years**

(21) Appl. No.: **29/116,743**

(22) Filed: **Jan. 11, 2000**

(30) **Foreign Application Priority Data**

Jul. 16, 1999 (JP) 11-19202

(51) **LOC (7) Cl.** **18-02**

(52) **U.S. Cl.** **D18/56; 347/86**

(58) **Field of Search** **D18/56; 347/86, 347/87**

(56) **References Cited**

U.S. PATENT DOCUMENTS

- D. 382,013 * 8/1997 Tashiro et al. D18/56
- D. 382,014 * 8/1997 Tashiro et al. D18/56
- D. 392,672 3/1998 Inoue et al. D18/56

- D. 395,670 6/1998 Inoue et al. D18/56
- D. 395,916 7/1998 Inoue et al. D18/56
- D. 413,920 * 9/1999 Shimizu et al. D18/56
- D. 414,509 * 9/1999 Shimizu et al. D18/56
- D. 425,111 * 5/2000 Inoue et al. D18/56
- D. 425,556 * 5/2000 Inoue et al. D18/56
- D. 425,933 * 5/2000 Inoue et al. D18/56
- D. 430,201 * 8/2000 Inoue et al. D18/56
- 5,182,581 * 1/1993 Kashimura et al. 347/87

* cited by examiner

Primary Examiner—Cathy Anne MacCormac

(74) *Attorney, Agent, or Firm*—Fitzpatrick, Cella, Harper & Scinto

(57) **CLAIM**

The ornamental design for an ink cartridge with printing head for printer, as shown and described.

DESCRIPTION

FIG. 1 is a front view of an ink cartridge with printing head for printer showing our new design;
 FIG. 2 is a rear view thereof;
 FIG. 3 is a top plan view thereof;
 FIG. 4 is a bottom plan view thereof;
 FIG. 5 is a left side view thereof;
 FIG. 6 is a right side view thereof; and,
 FIG. 7 is a perspective view thereof.

1 Claim, 4 Drawing Sheets

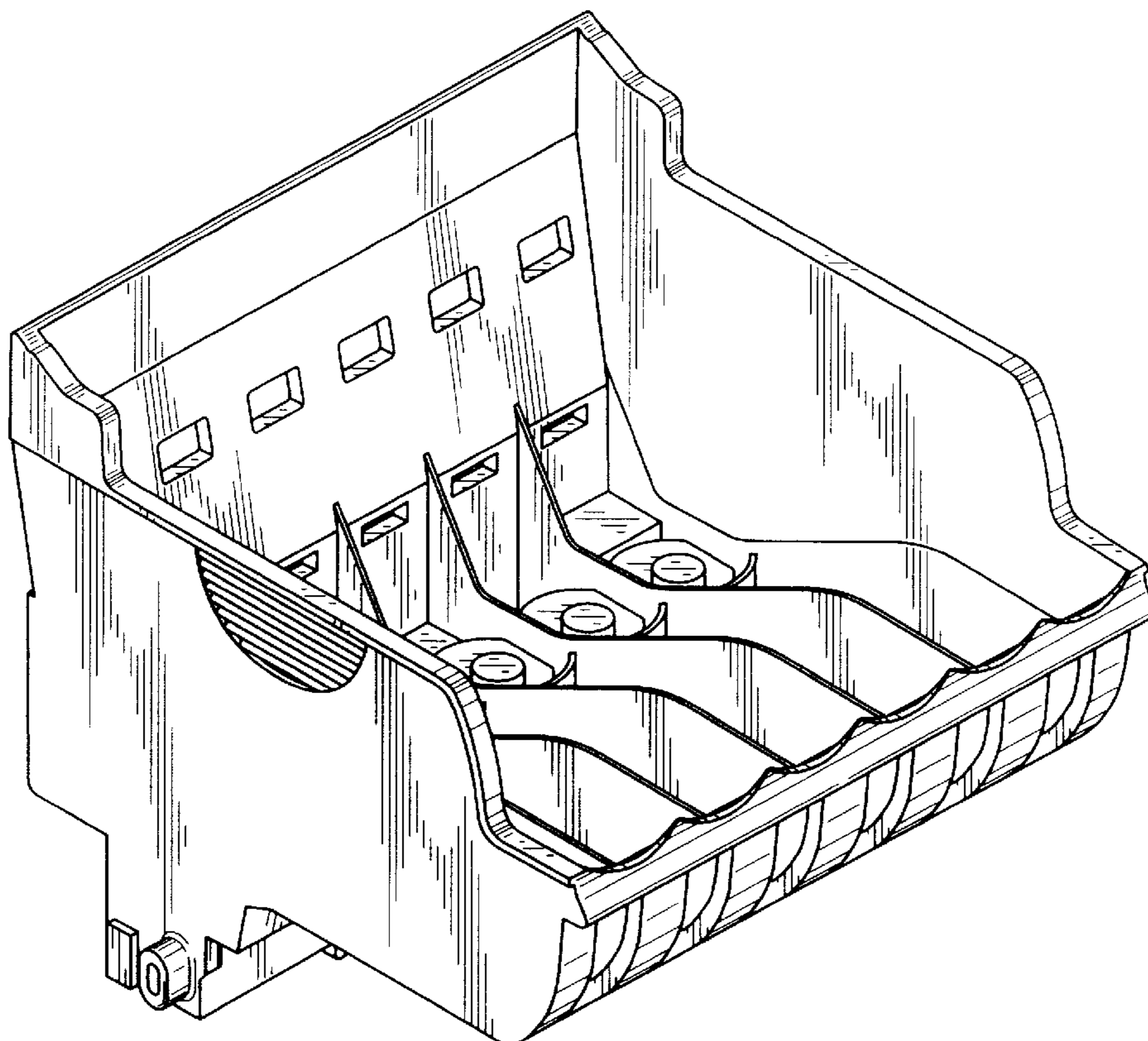


FIG. 1

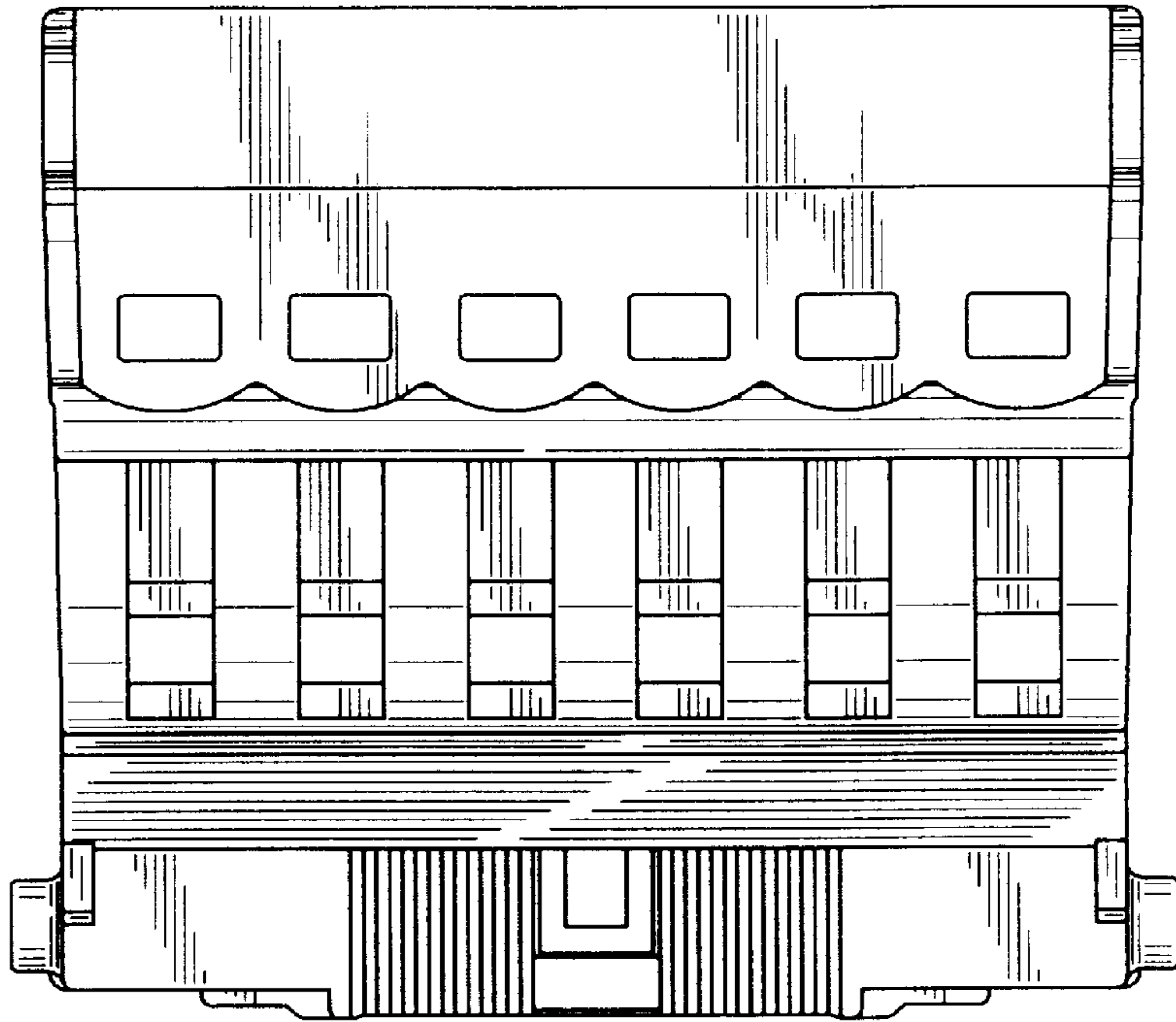


FIG. 2

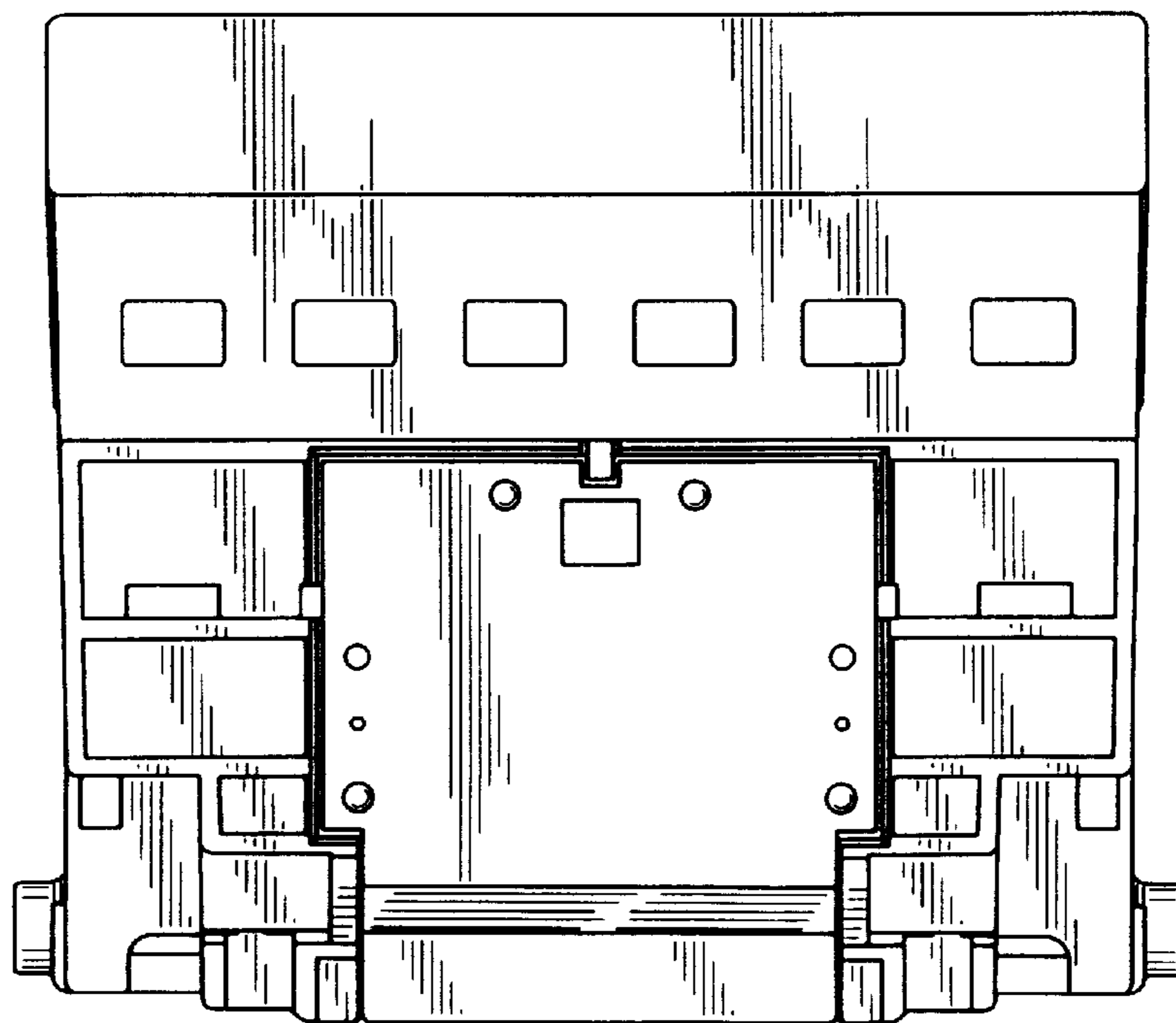


FIG. 3

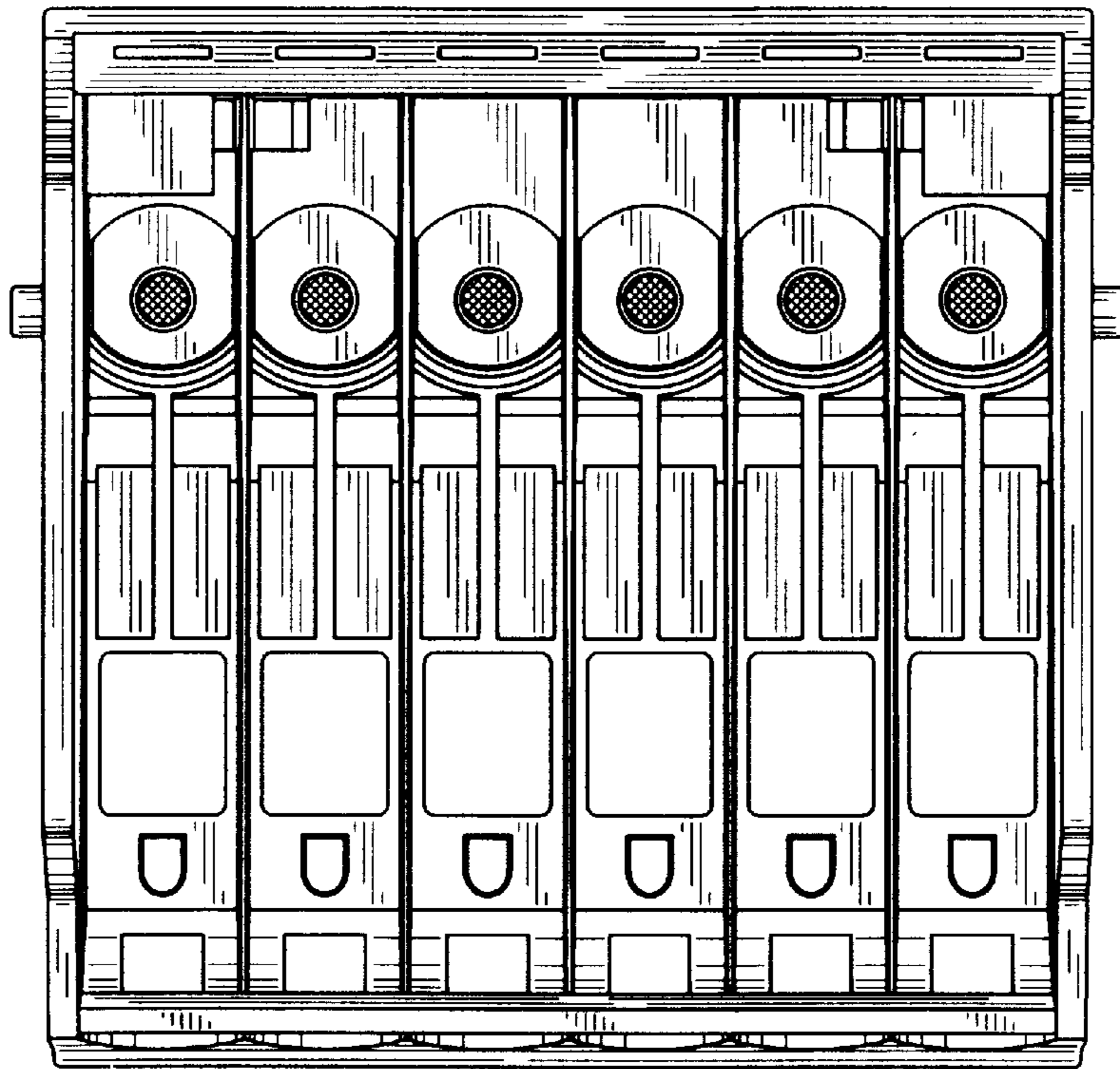


FIG. 4

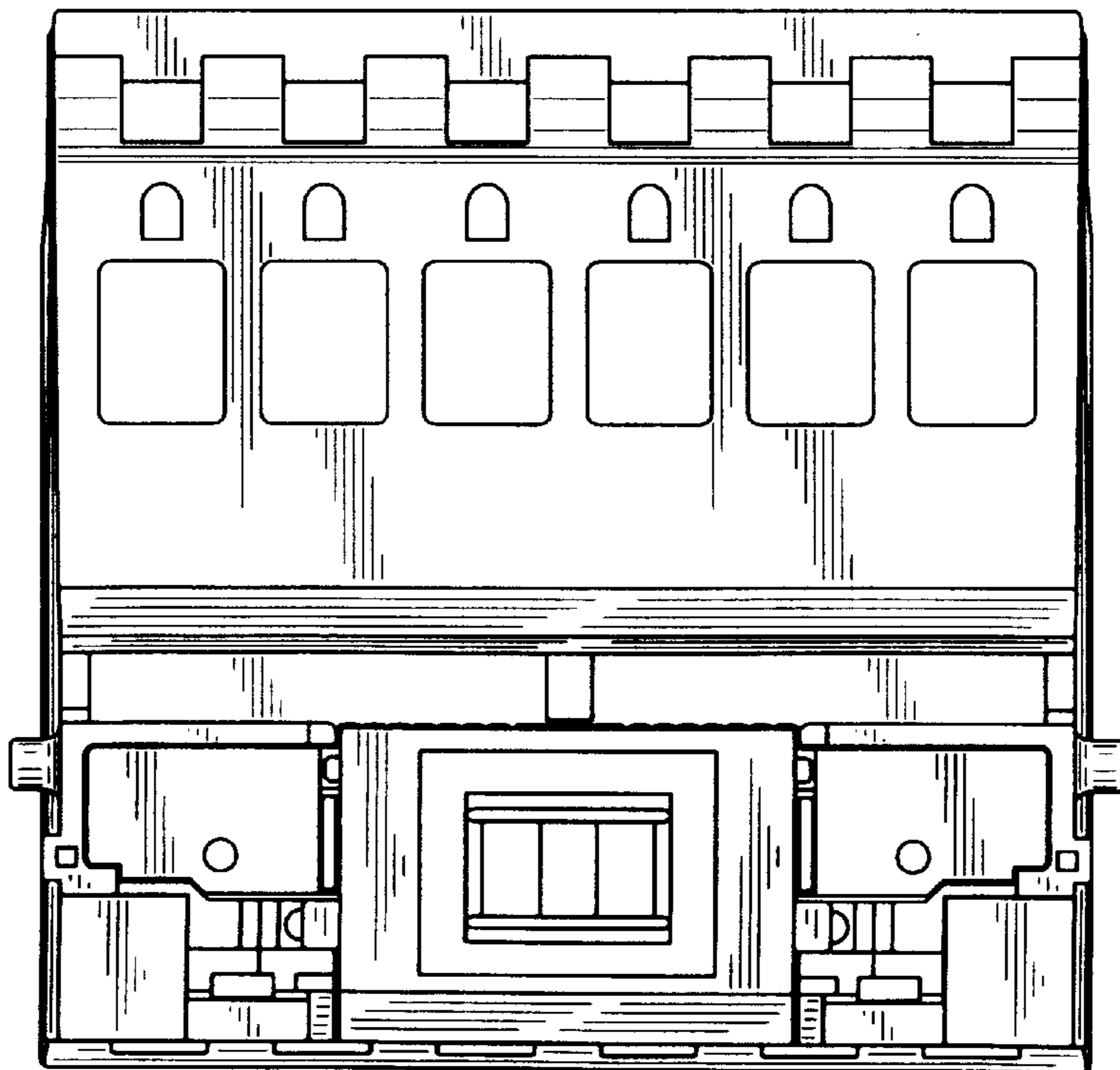


FIG. 5

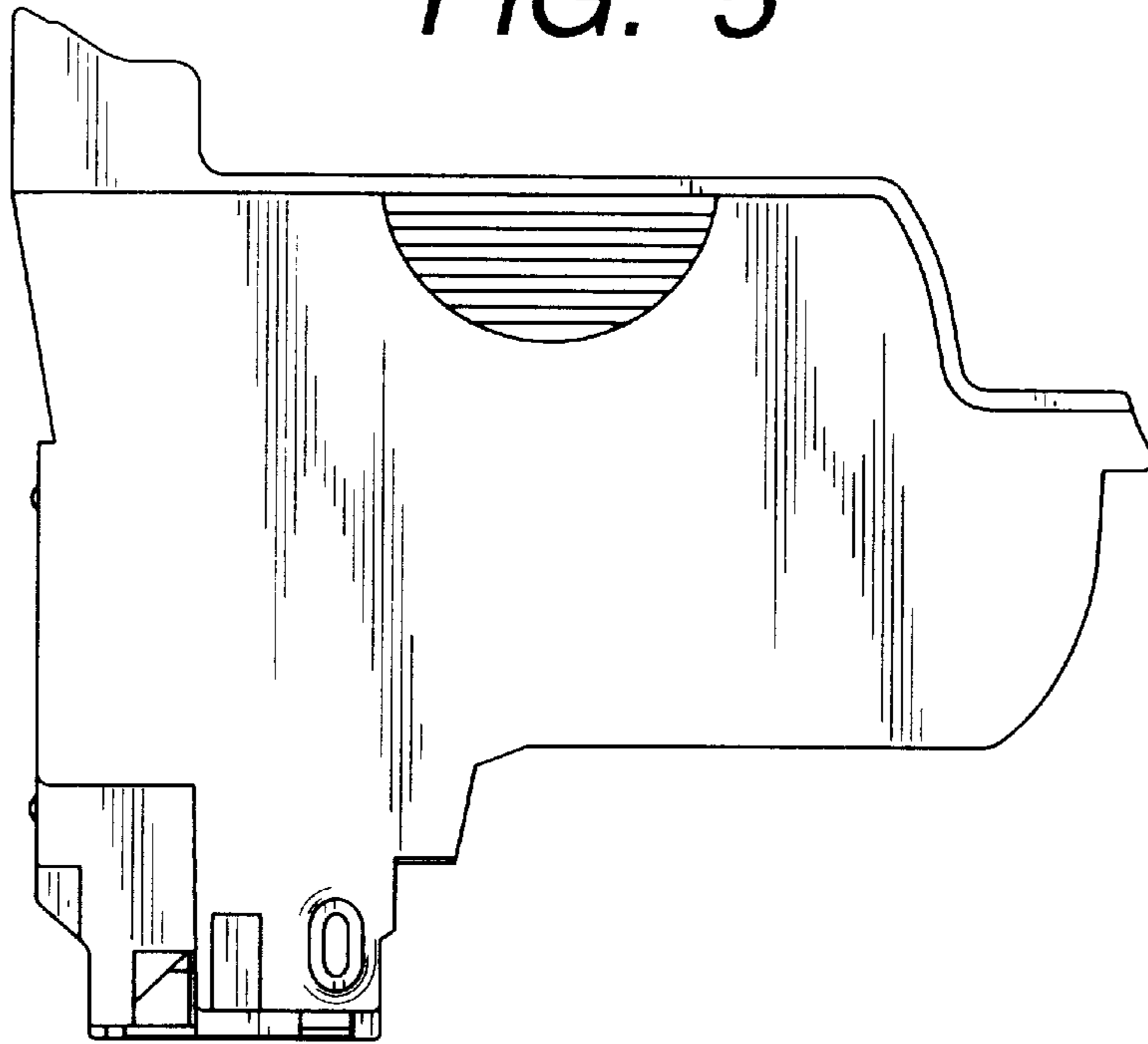


FIG. 6

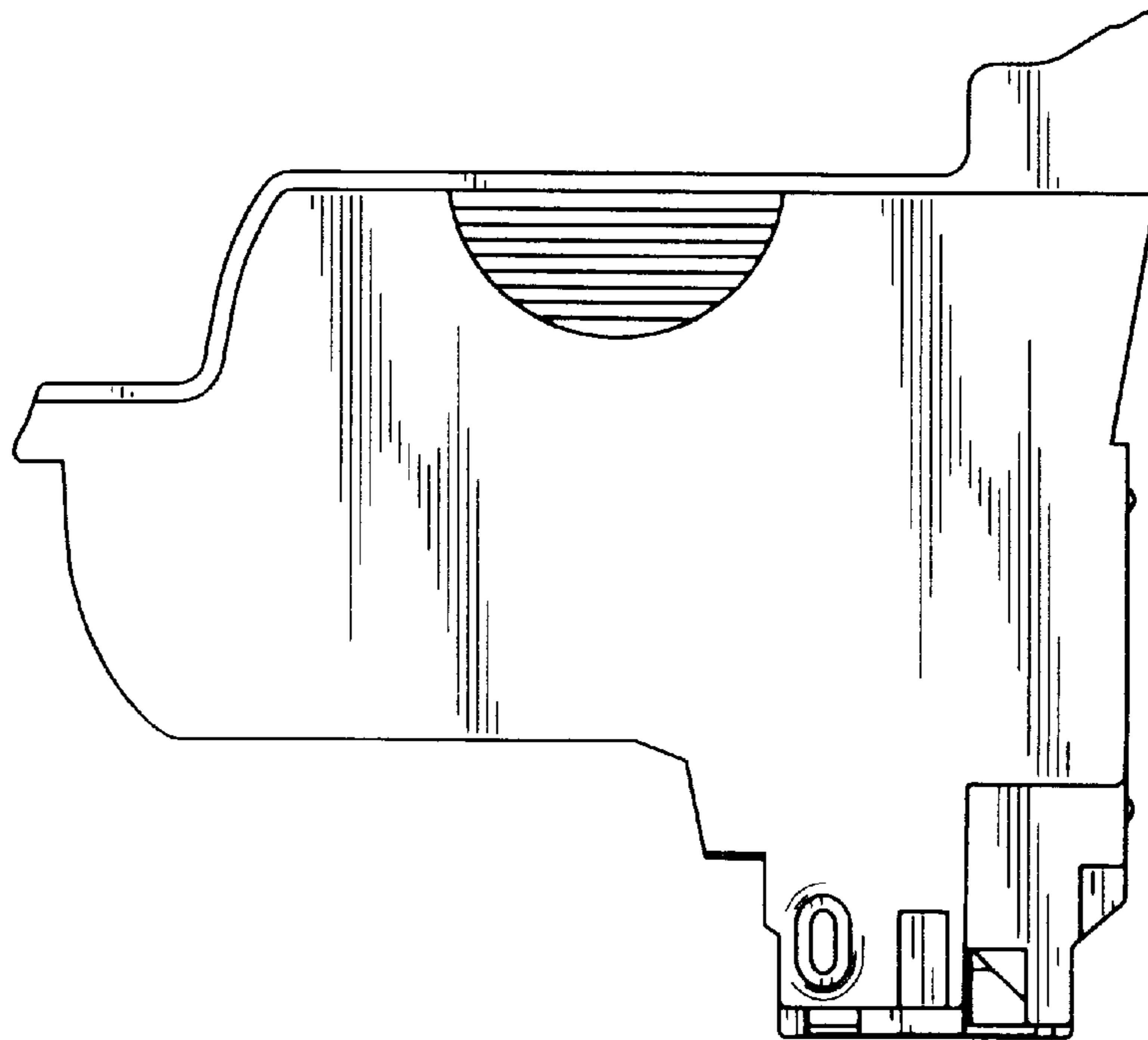


FIG. 7

