



US00D443890S

(12) **United States Design Patent**  
**Sato et al.**

(10) **Patent No.:** **US D443,890 S**

(45) **Date of Patent:** **\*\* Jun. 19, 2001**

(54) **PRINTER FOR AN ELECTRIC CASH REGISTER**

(75) Inventors: **Shigeru Sato**, Yokohama; **Katsuhiro Yoshida**, Akishima, both of (JP)

(73) Assignee: **Toshiba Tec Kabushiki Kaisha**, Tokyo (JP)

(\*\*) Term: **14 Years**

(21) Appl. No.: **29/126,345**

(22) Filed: **Jul. 14, 2000**

(30) **Foreign Application Priority Data**

Jan. 19, 2000 (JP) ..... 12-000539  
Jan. 19, 2000 (JP) ..... 12-000540

(51) **LOC (7) Cl.** ..... **14-02**

(52) **U.S. Cl.** ..... **D18/50**

(58) **Field of Search** ..... D18/36-39, 50,  
D18/53-59, 3.1, 4.1, 4.4; 400/613, 613.1-613.4,  
690.1-690.4, 691-694

(56) **References Cited**

**U.S. PATENT DOCUMENTS**

- D. 220,720 \* 5/1971 Kitai ..... D18/4.1
- D. 303,538 \* 9/1989 Kato et al. .... D18/4.1
- D. 333,316 \* 2/1993 Ishizawa ..... D18/55
- D. 343,410 \* 1/1994 Sekiguchi ..... D18/50
- D. 376,384 \* 12/1996 Woei-Fang ..... D18/55
- D. 377,045 \* 12/1996 Chida ..... D18/50
- D. 379,195 \* 5/1997 Stanton ..... D18/50
- D. 387,378 \* 12/1997 Sugimoto ..... D18/50
- D. 391,286 \* 2/1998 Mizusugi ..... D18/55

- D. 393,277 \* 4/1998 Ohki et al. .... D18/4.1
- D. 413,623 \* 9/1999 Ohno ..... D18/50
- D. 418,157 \* 12/1999 Han ..... D18/50
- D. 422,631 \* 4/2000 Toriyama et al. .... D18/50
- D. 430,199 \* 8/2000 Petteruti et al. .... D18/50

\* cited by examiner

*Primary Examiner*—Cathy Anne MacCormac

(74) *Attorney, Agent, or Firm*—Bacon & Thomas, PLLC

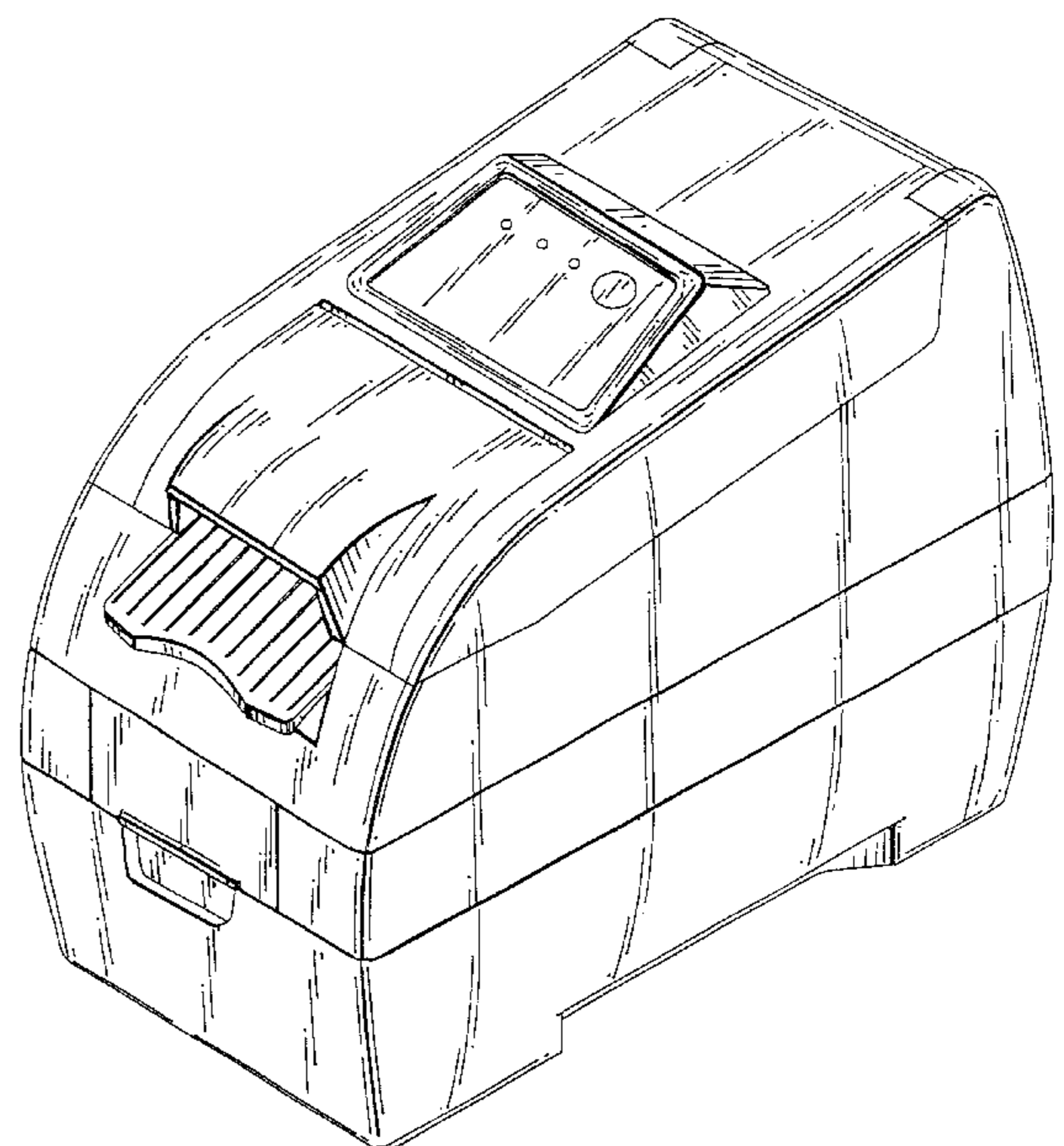
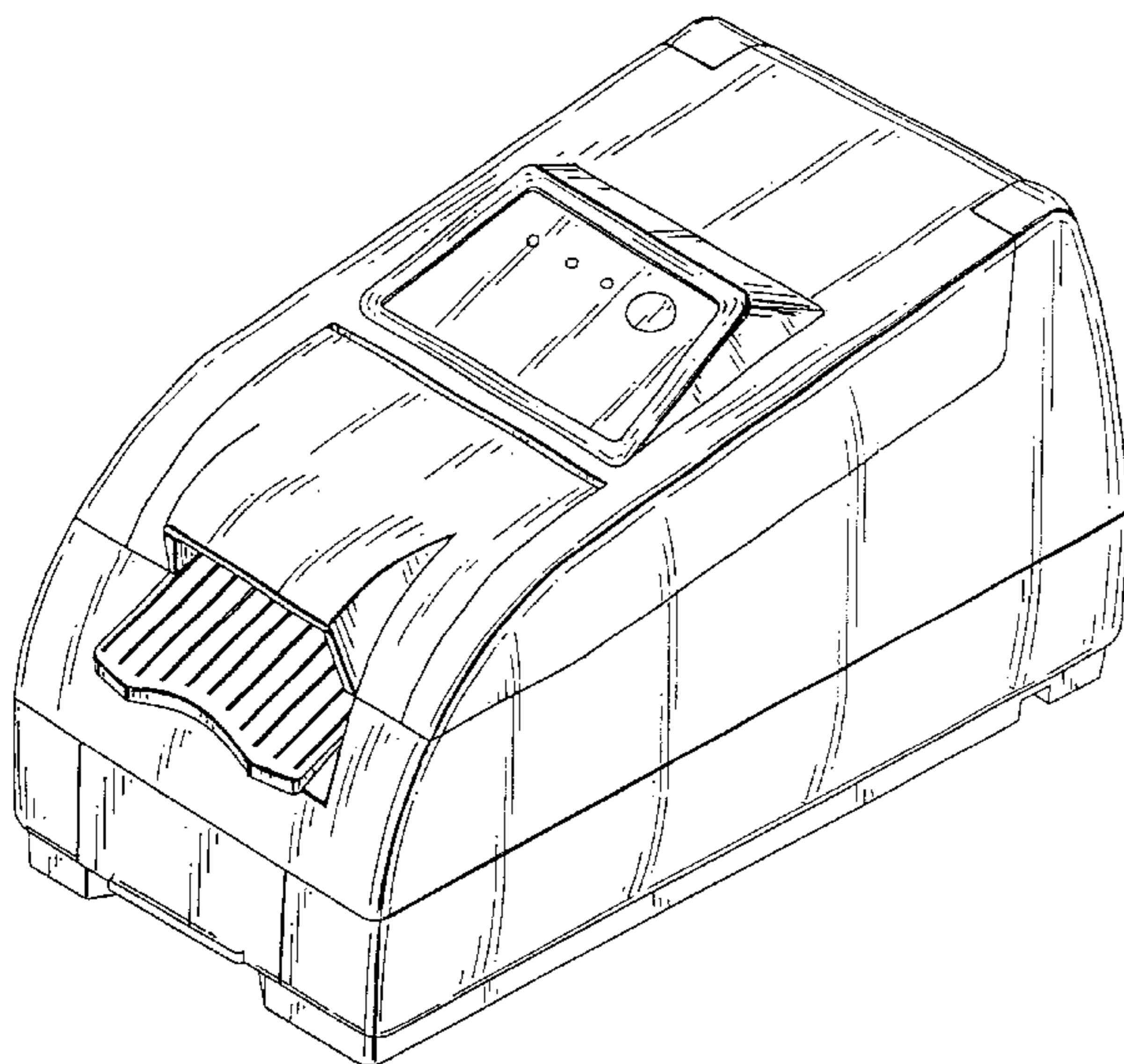
(57) **CLAIM**

The ornamental design for printer for an electric cash register, as shown and described.

**DESCRIPTION**

FIG. 1 is a front, top and left side perspective view of printer for an electric cash register, showing our new design;  
 FIG. 2 is a top plan view thereof;  
 FIG. 3 is a front elevational view thereof; the rear being a mirror image thereof;  
 FIG. 4 is a left side elevational view thereof;  
 FIG. 5 is a right side elevational view thereof;  
 FIG. 6 is a bottom plan view thereof;  
 FIG. 7 is a front, top and left side perspective view of a second embodiment of the printer for an electric cash register;  
 FIG. 8 is a top plan view thereof;  
 FIG. 9 is a front elevational view thereof; the rear being a mirror image thereof;  
 FIG. 10 is a left side elevational view thereof;  
 FIG. 11 is a right side elevational view thereof; and,  
 FIG. 12 is a bottom plan view thereof.

**1 Claim, 6 Drawing Sheets**



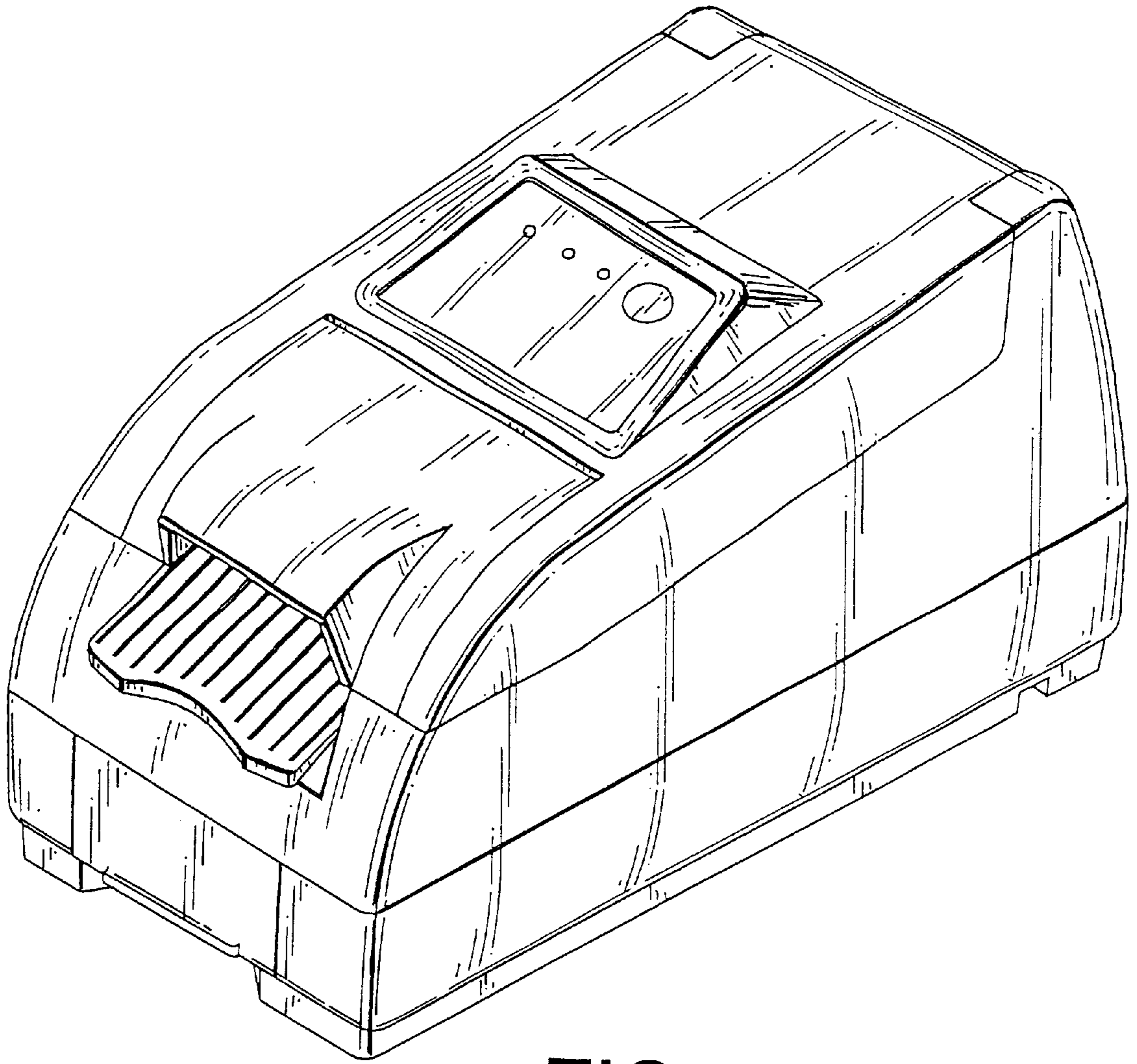


FIG. 1

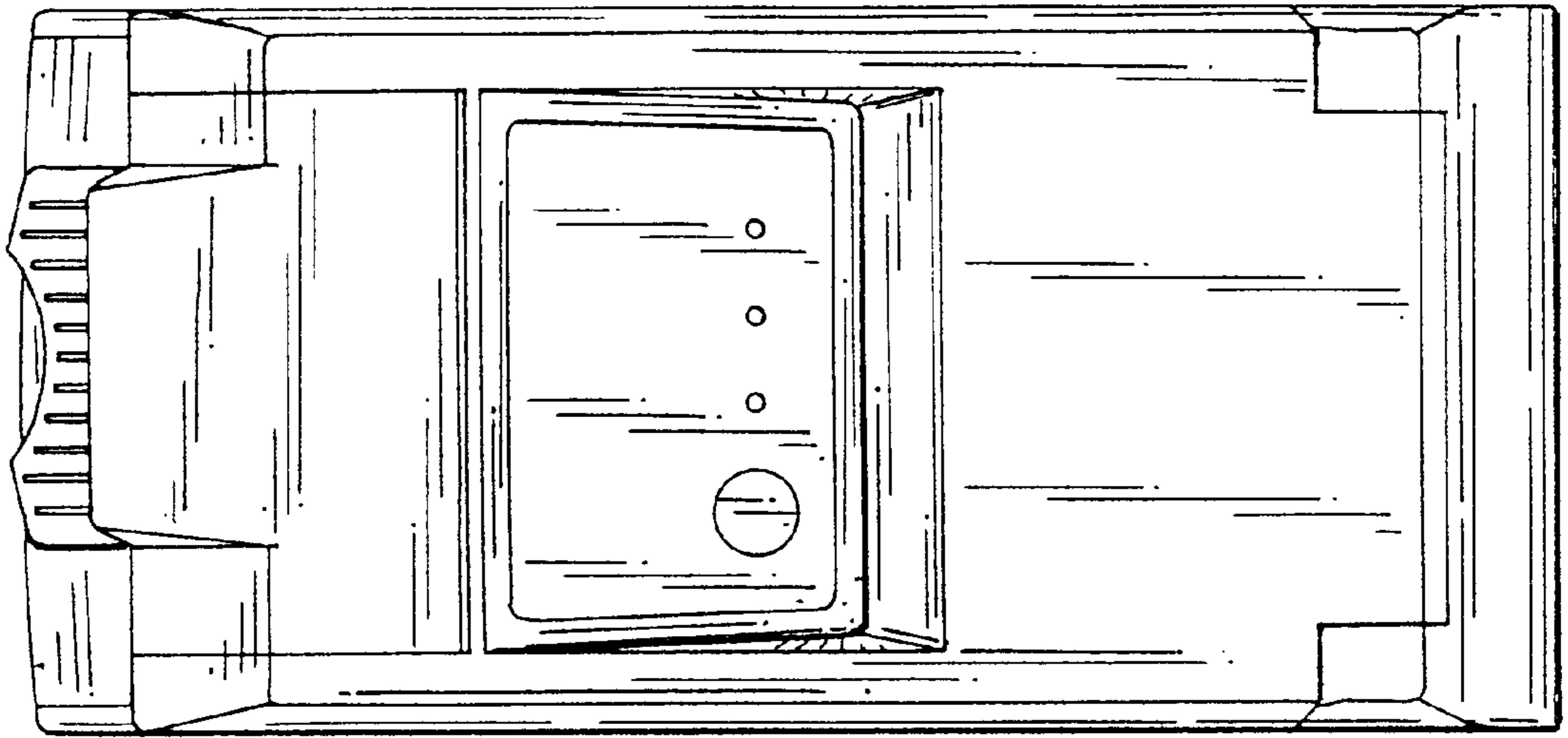


FIG. 2

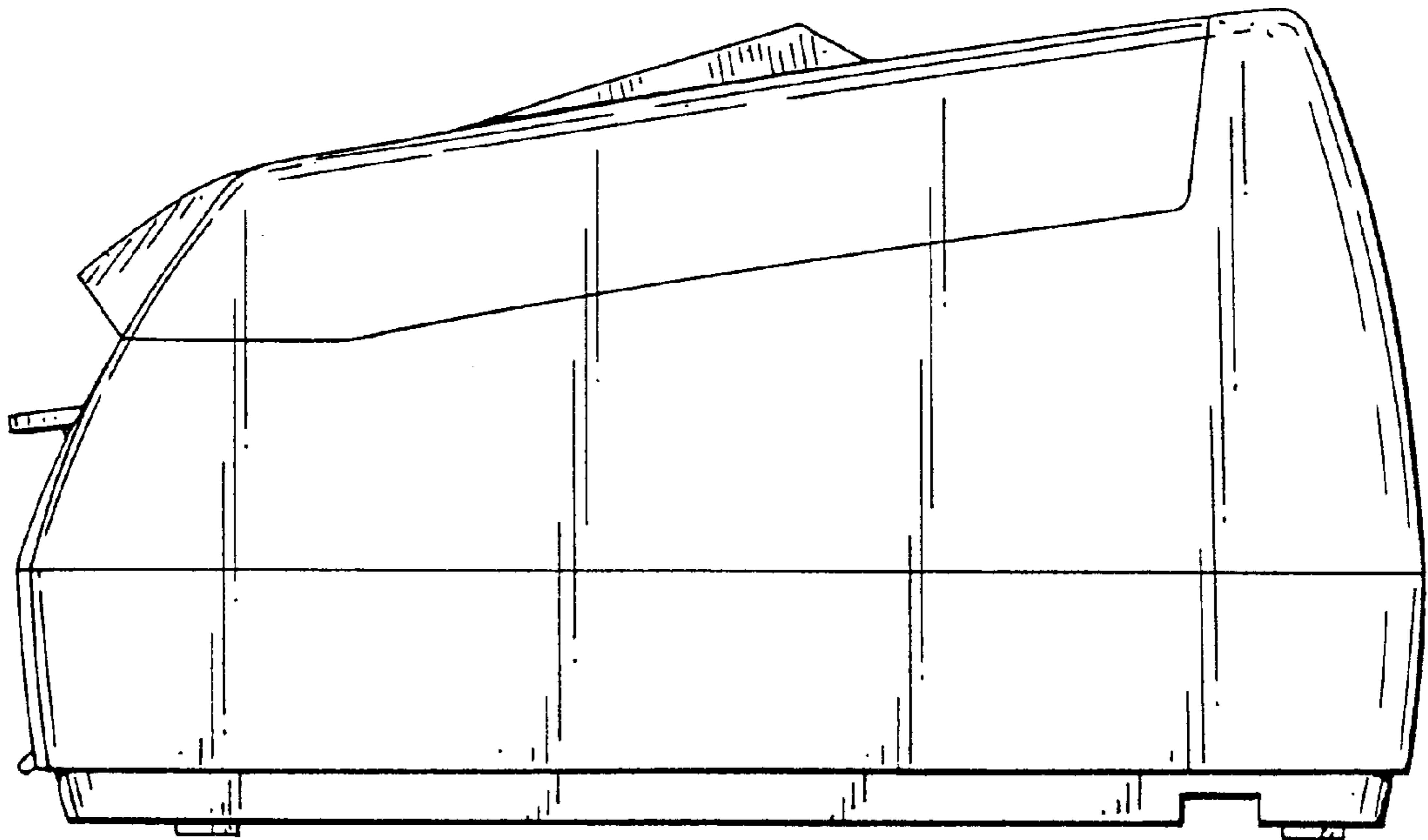
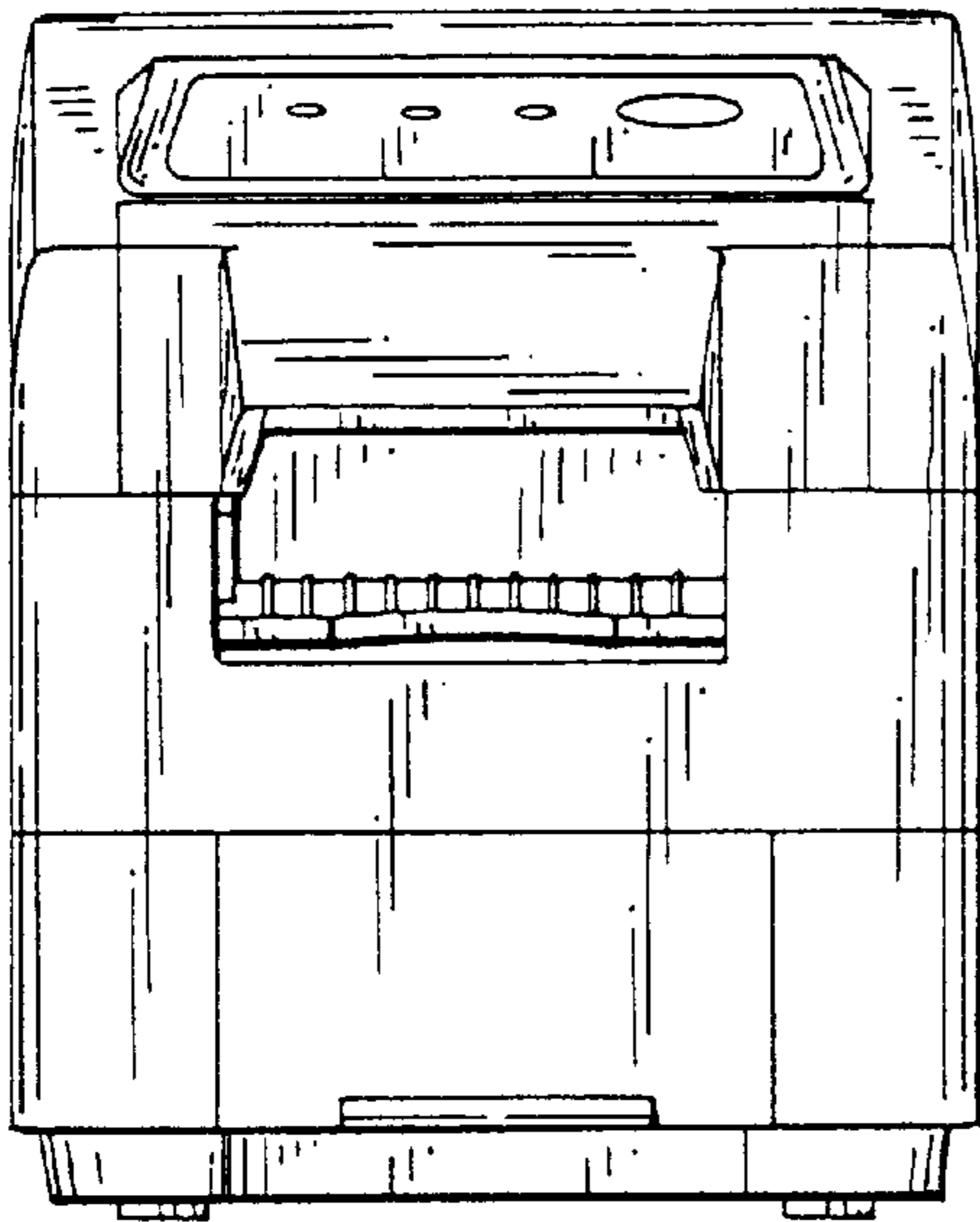
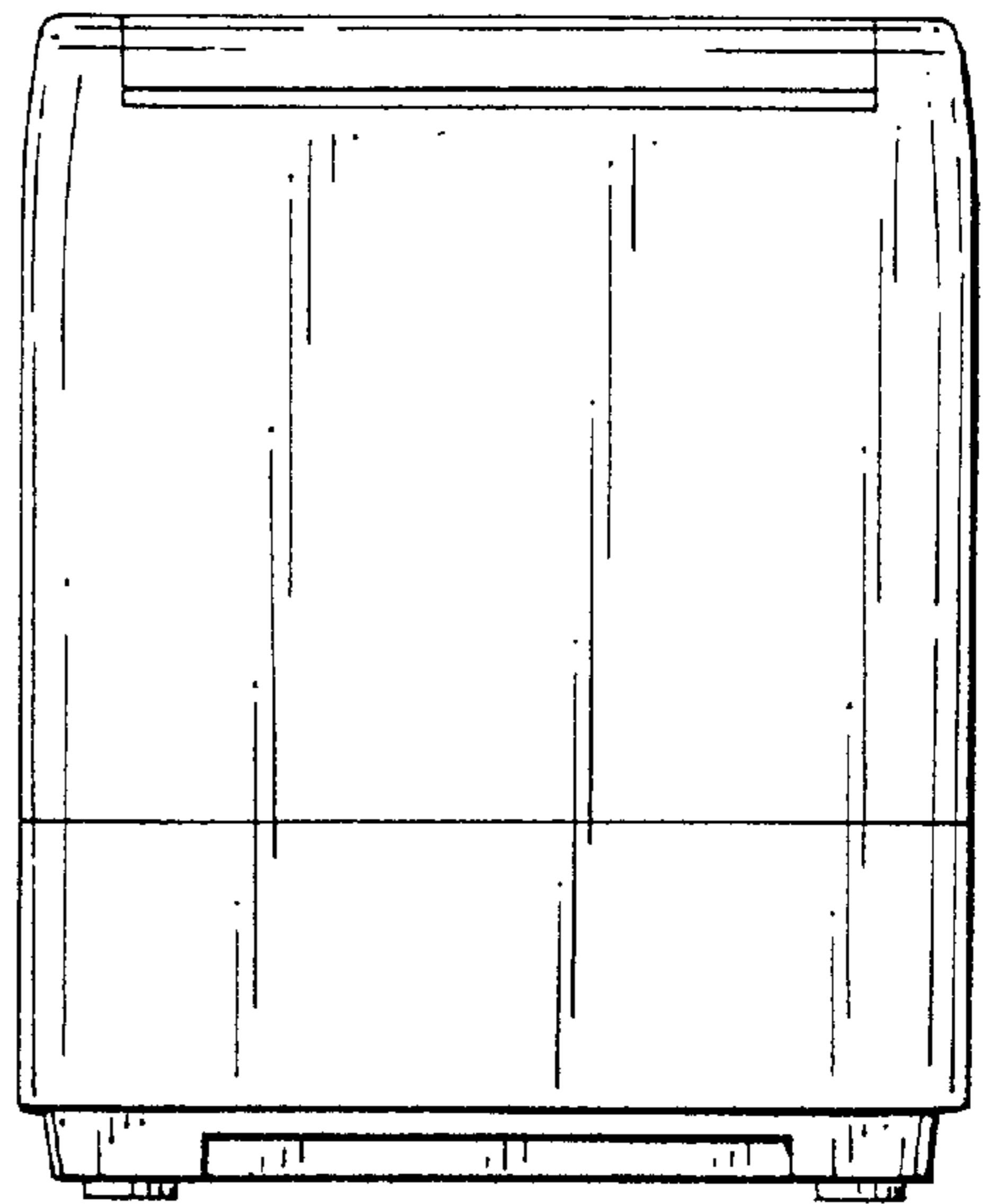


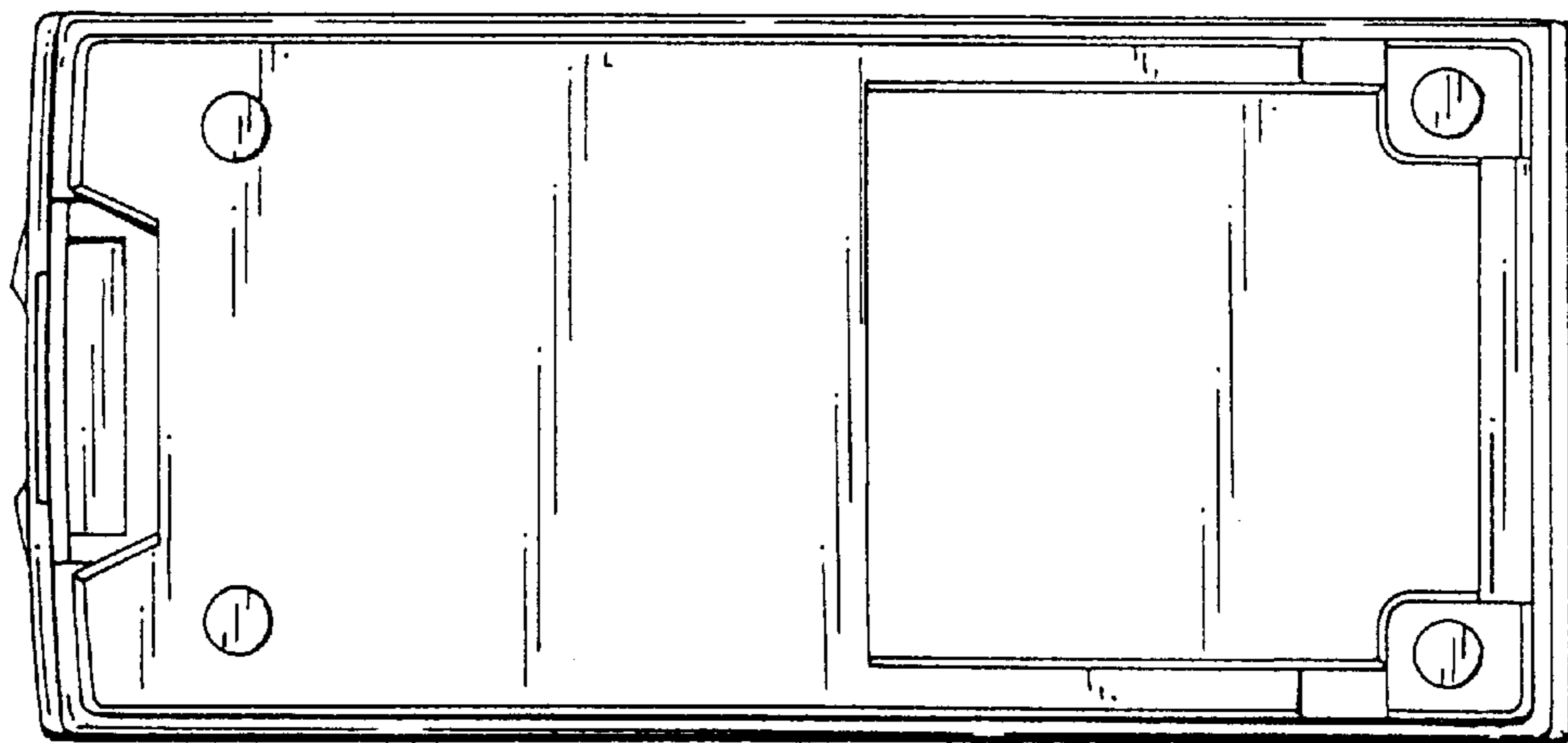
FIG. 3



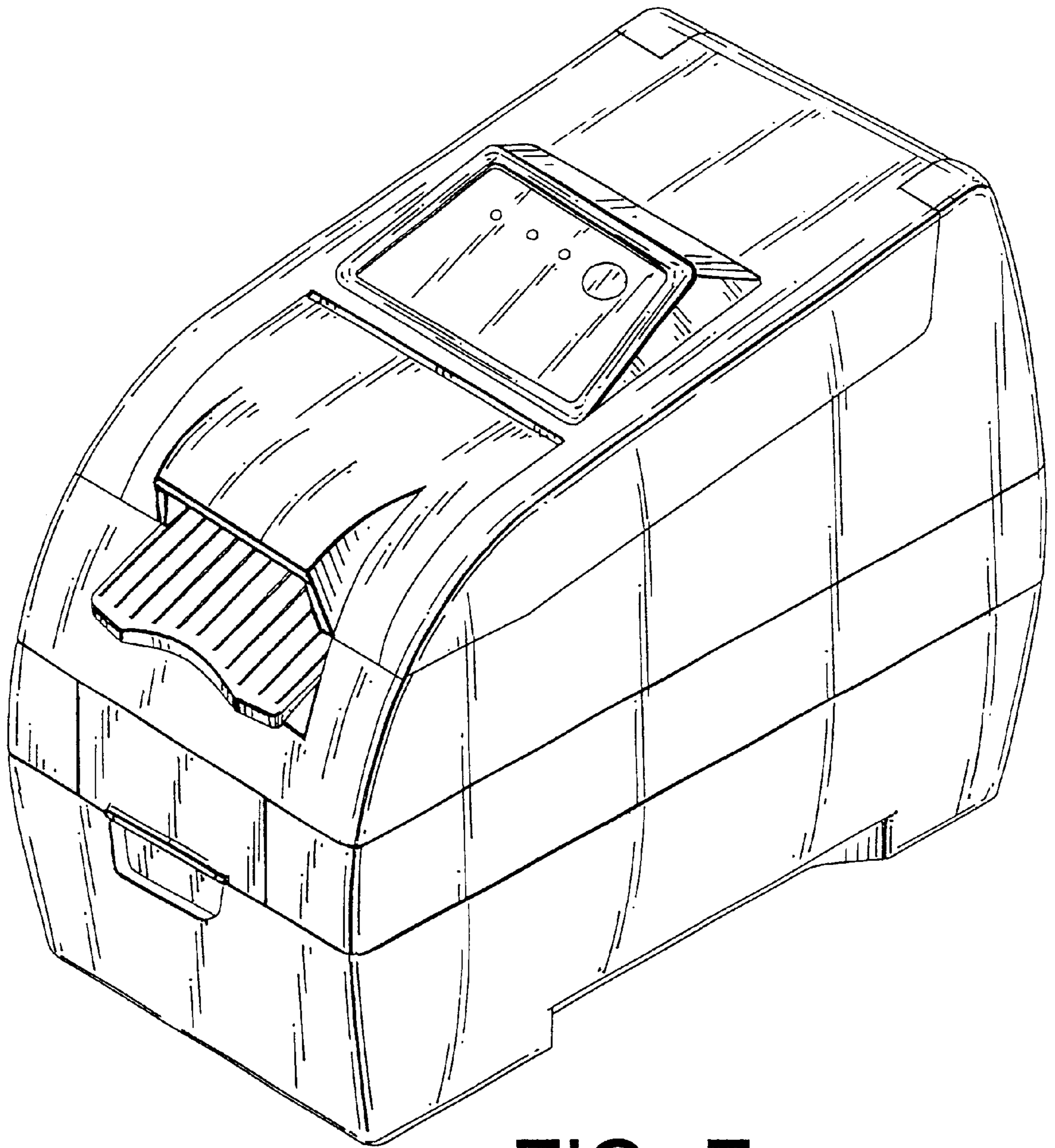
**FIG. 4**



**FIG. 5**



**FIG. 6**



**FIG. 7**

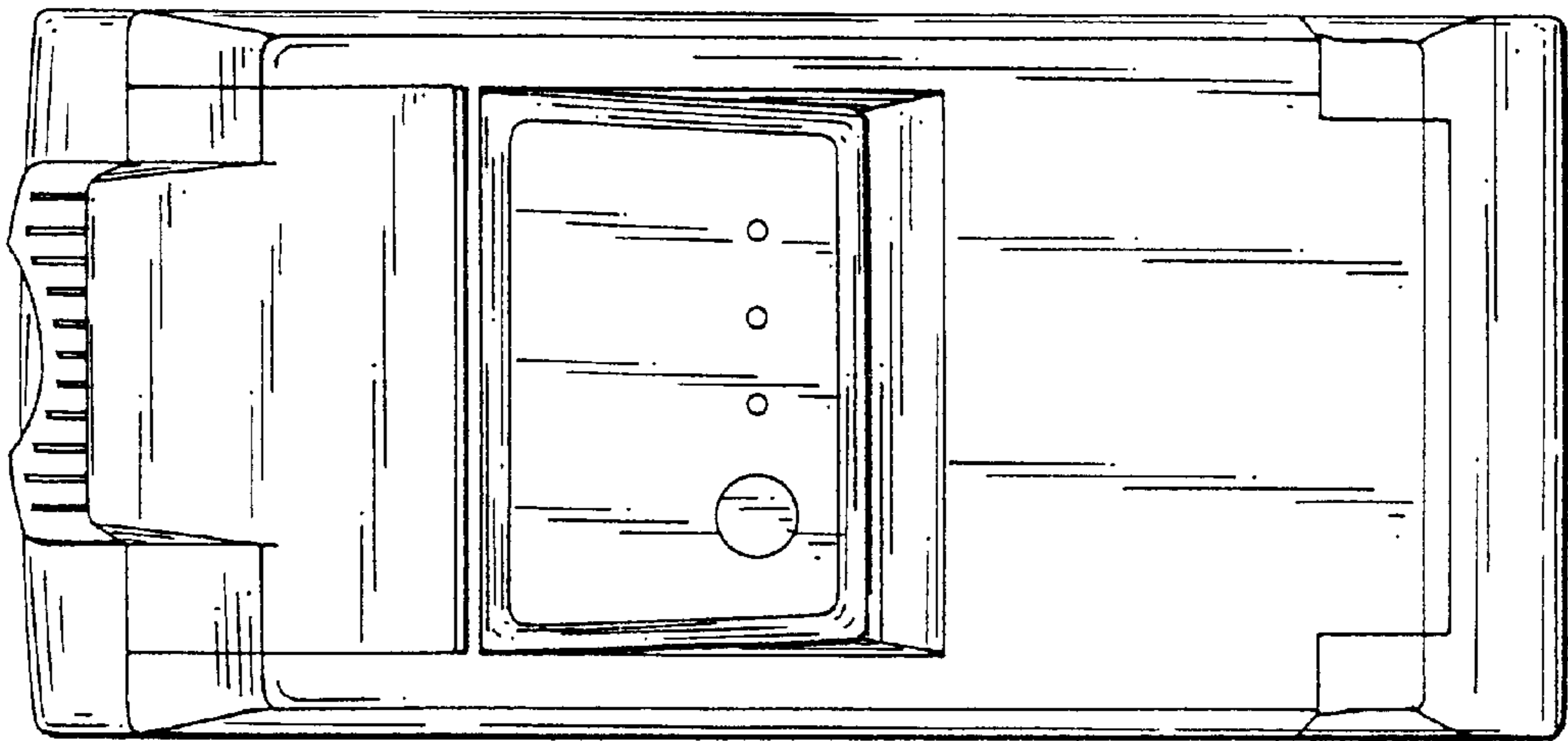


FIG. 8

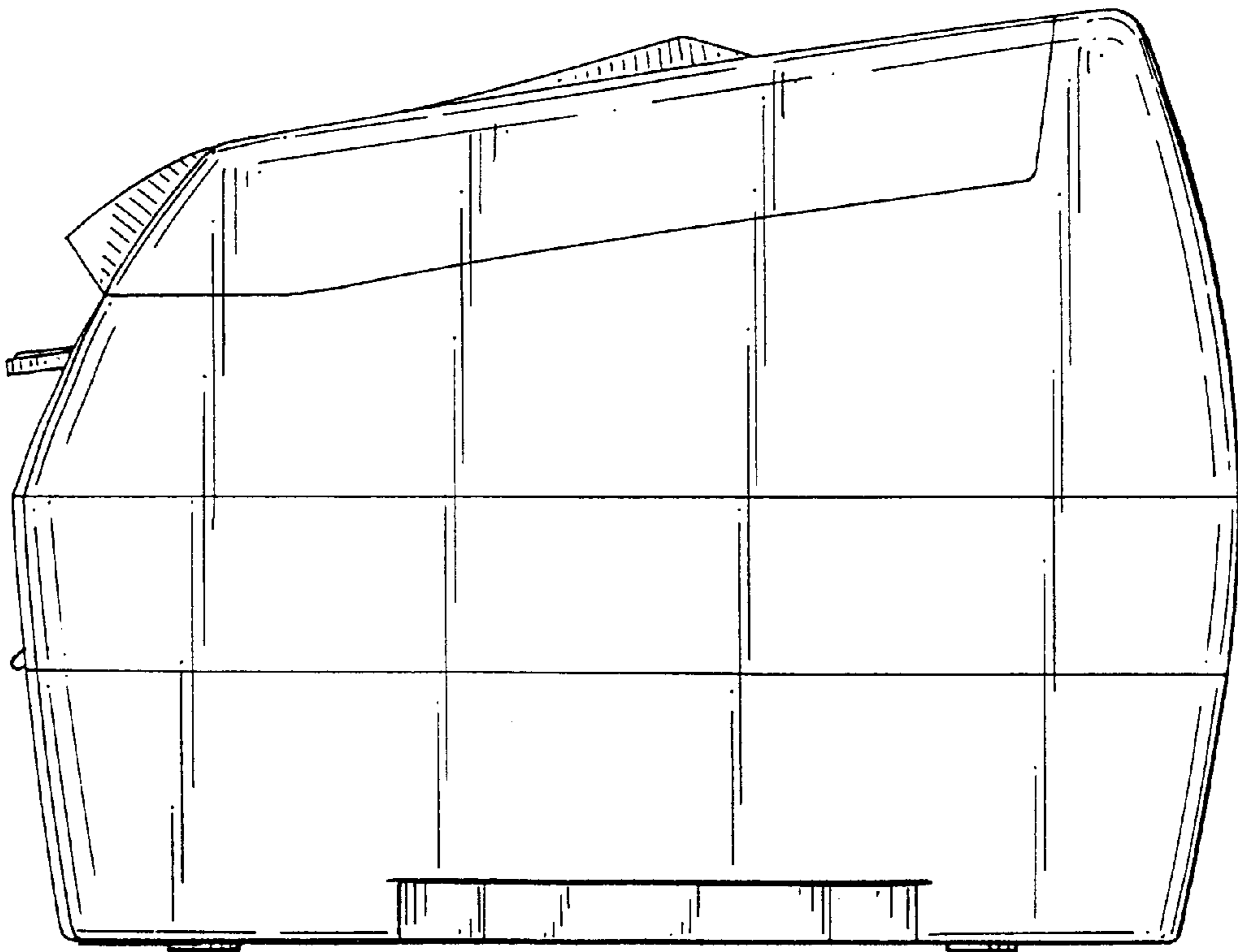


FIG. 9

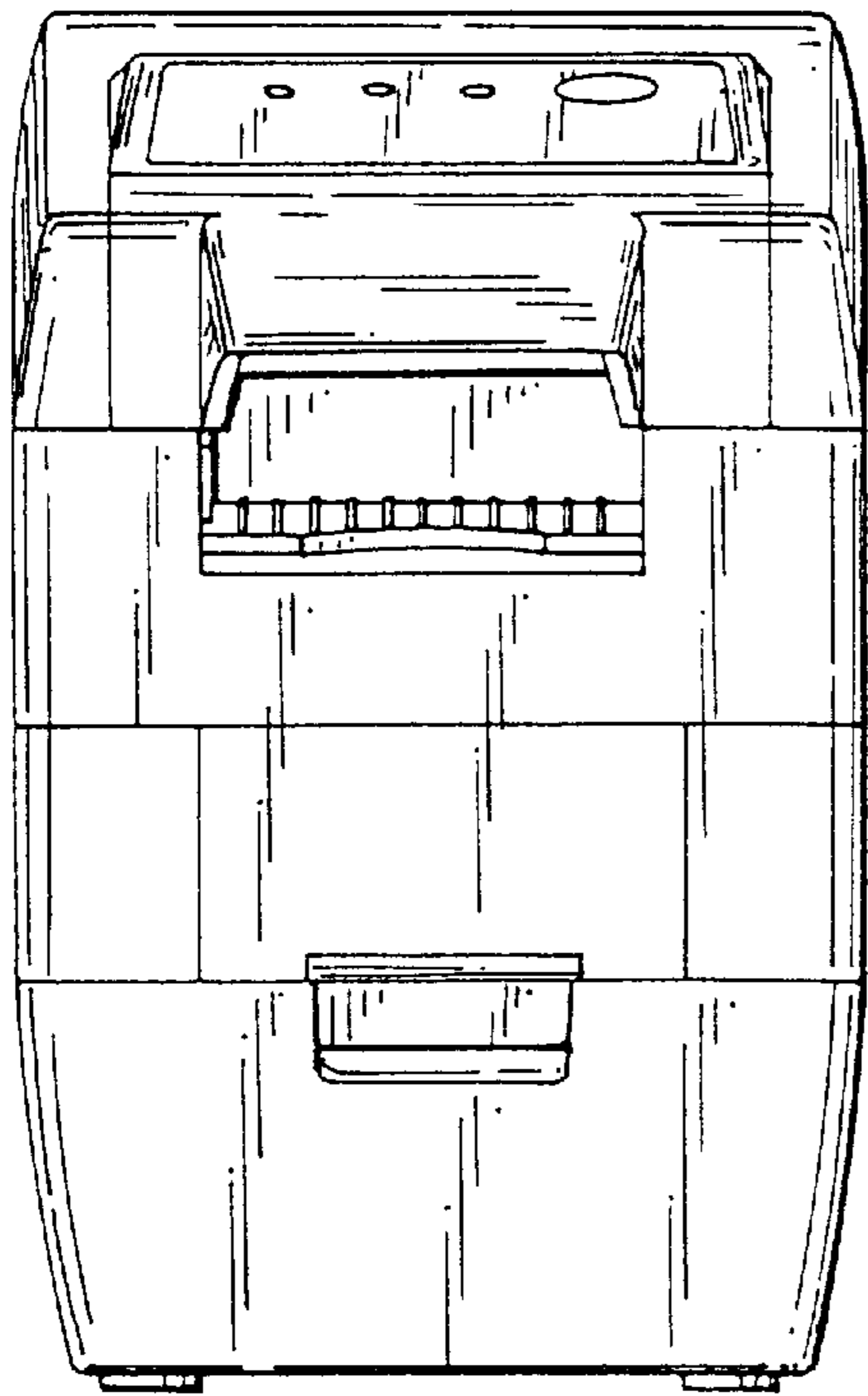


FIG. 10

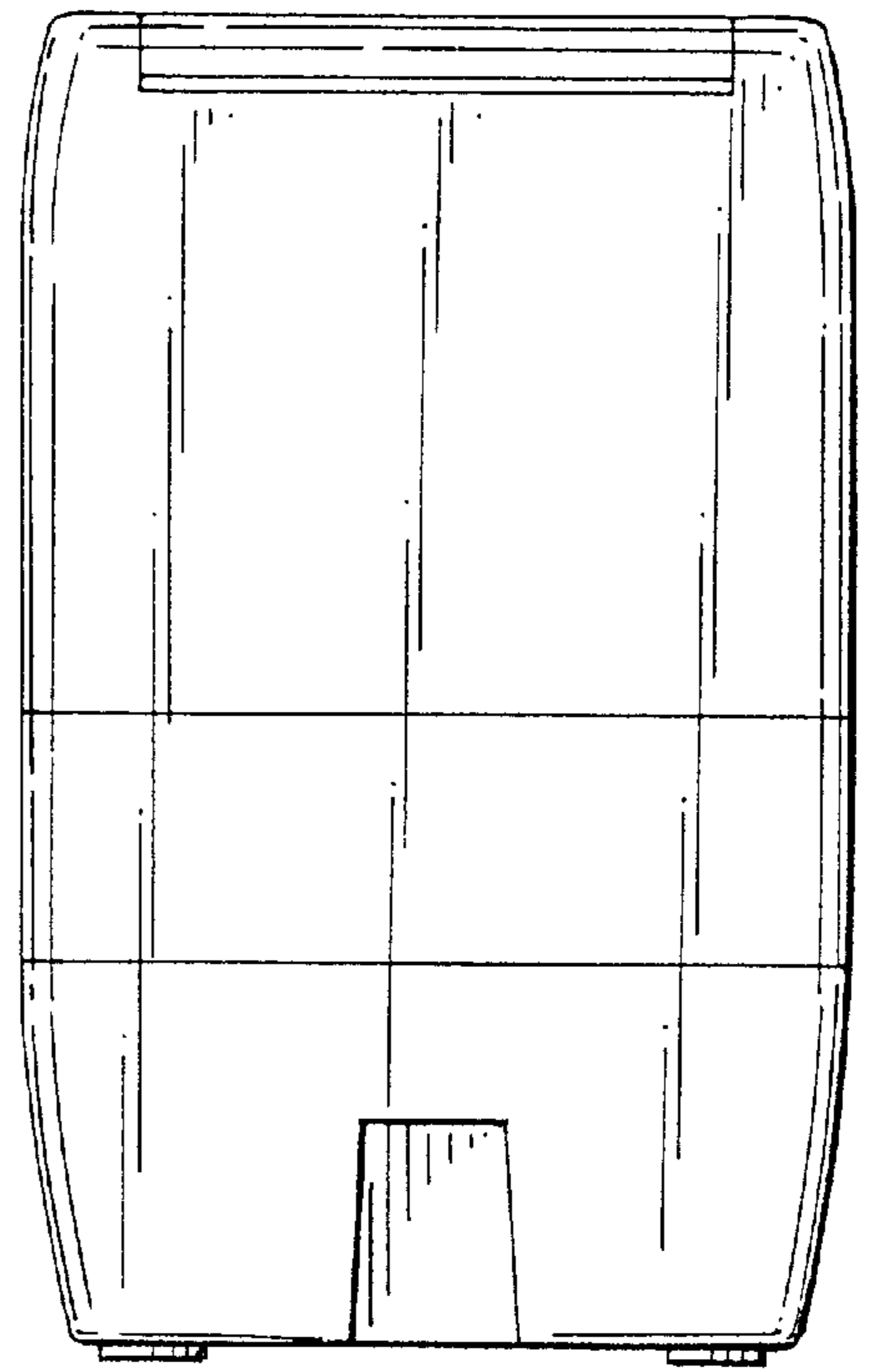


FIG. 11

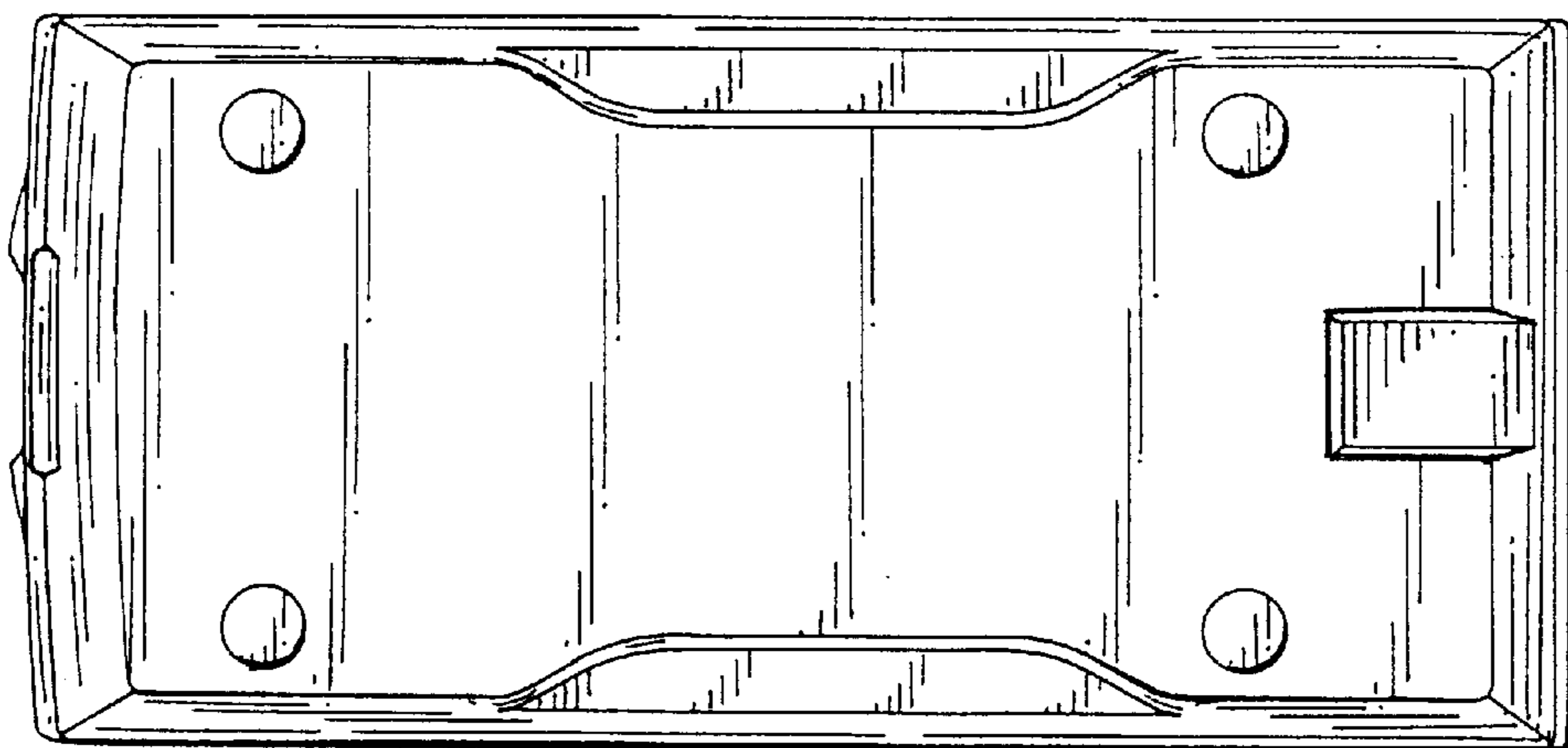


FIG. 12