



US00D443889S

(12) **United States Design Patent**  
**Yamano et al.**

(10) **Patent No.:** **US D443,889 S**

(45) **Date of Patent:** **\*\* Jun. 19, 2001**

(54) **PRINTER**

(75) Inventors: **Hirokazu Yamano; Ikuo Masujima;**  
**Satoshi Fujioka**, all of Nagano-ken  
(JP)

(73) Assignee: **Seiko Epson Corporation**, Tokyo (JP)

(\*\*) Term: **14 Years**

(21) Appl. No.: **29/122,825**

(22) Filed: **May 4, 2000**

(30) **Foreign Application Priority Data**

Nov. 4, 1999 (JP) ..... 11-30492

(51) **LOC (7) Cl.** ..... **14-02**

(52) **U.S. Cl.** ..... **D18/50**

(58) **Field of Search** ..... D18/36-39, 50,  
D18/54-55; D14/420-431, 462-470; 400/613,  
613.1-613.4, 691-694, 690.1-690.4; 355/19,  
128; 358/400-401, 501-502, 505-506,  
468

(56) **References Cited**

**U.S. PATENT DOCUMENTS**

D. 219,148 \* 11/1970 Priessnetz ..... D14/462

D. 220,188 \* 3/1971 Kalvitis ..... D18/54  
D. 232,055 \* 7/1974 Frick ..... D18/54  
D. 279,985 \* 8/1985 Thom ..... D18/54  
D. 398,632 \* 9/1998 Dodge et al. .... D18/36  
D. 415,789 \* 10/1999 Lardant ..... D18/50  
D. 424,610 \* 5/2000 Scarton et al. .... D18/55  
D. 431,596 \* 10/2000 Berger ..... D18/50  
6,152,630 \* 11/2000 Scarton et al. .... 400/693

\* cited by examiner

*Primary Examiner*—Cathy Anne MacCormac

(74) *Attorney, Agent, or Firm*—Sughrue, Mion, Zinn,  
Macpeak & Seas, PLLC

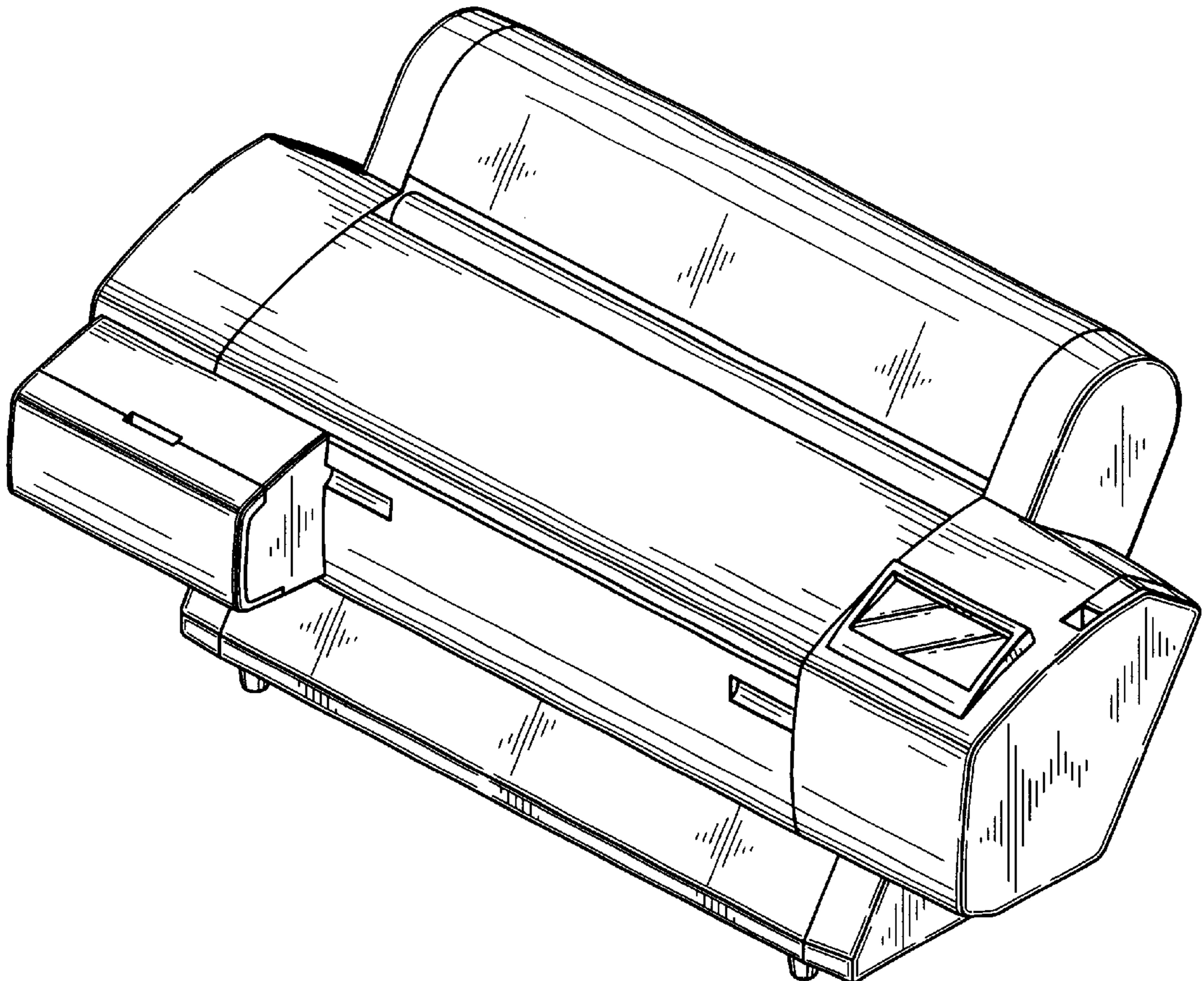
(57) **CLAIM**

The ornamental design for a printer, as shown.

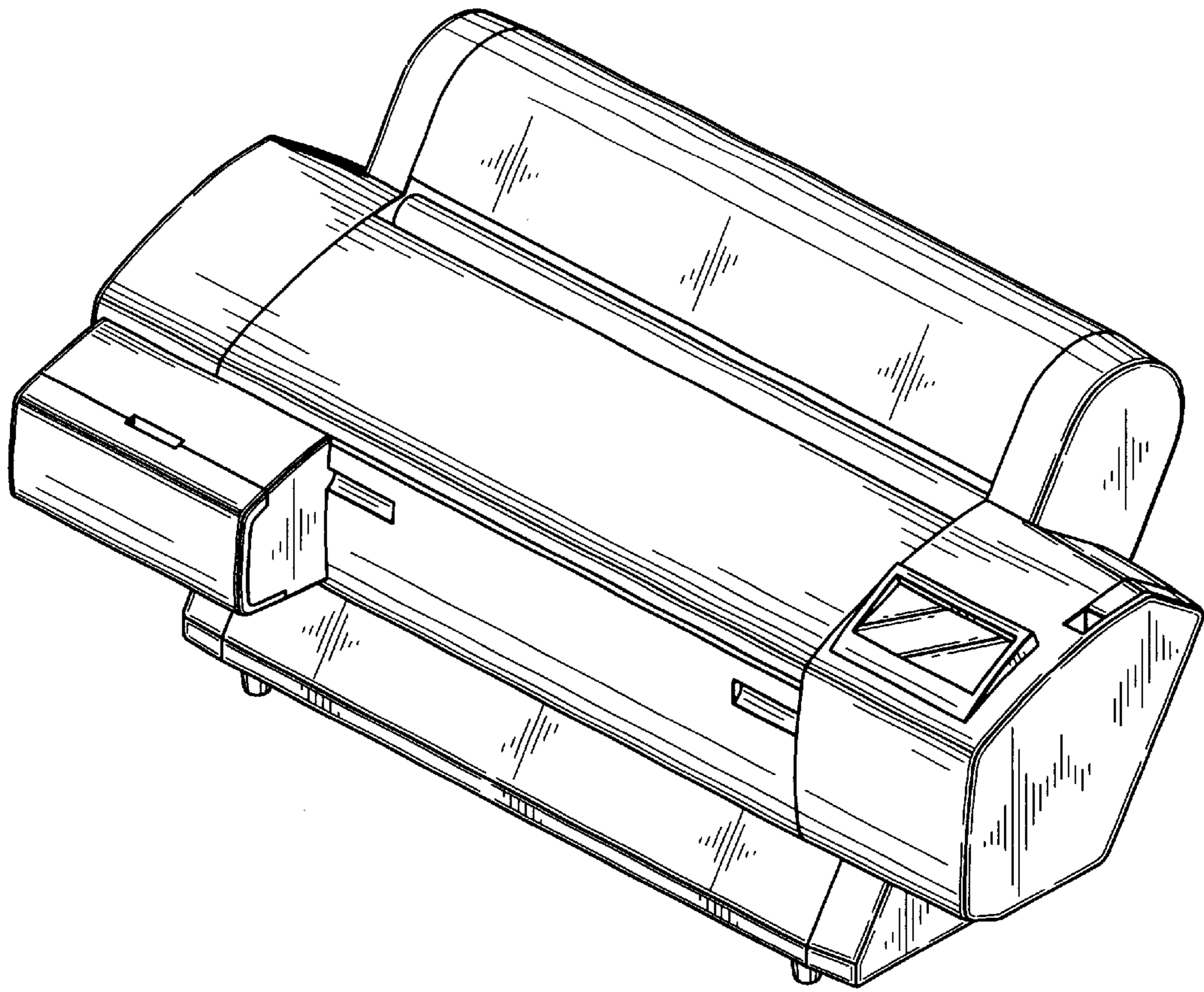
**DESCRIPTION**

FIG. 1 is a perspective view of the top, front and right side of a printer showing our new design;  
FIG. 2 is a front elevational view thereof;  
FIG. 3 is a top plan view thereof;  
FIG. 4 is a bottom plan view thereof;  
FIG. 5 is a right side elevational view thereof;  
FIG. 6 is a left side elevational view thereof; and,  
FIG. 7 is a rear elevational view thereof.

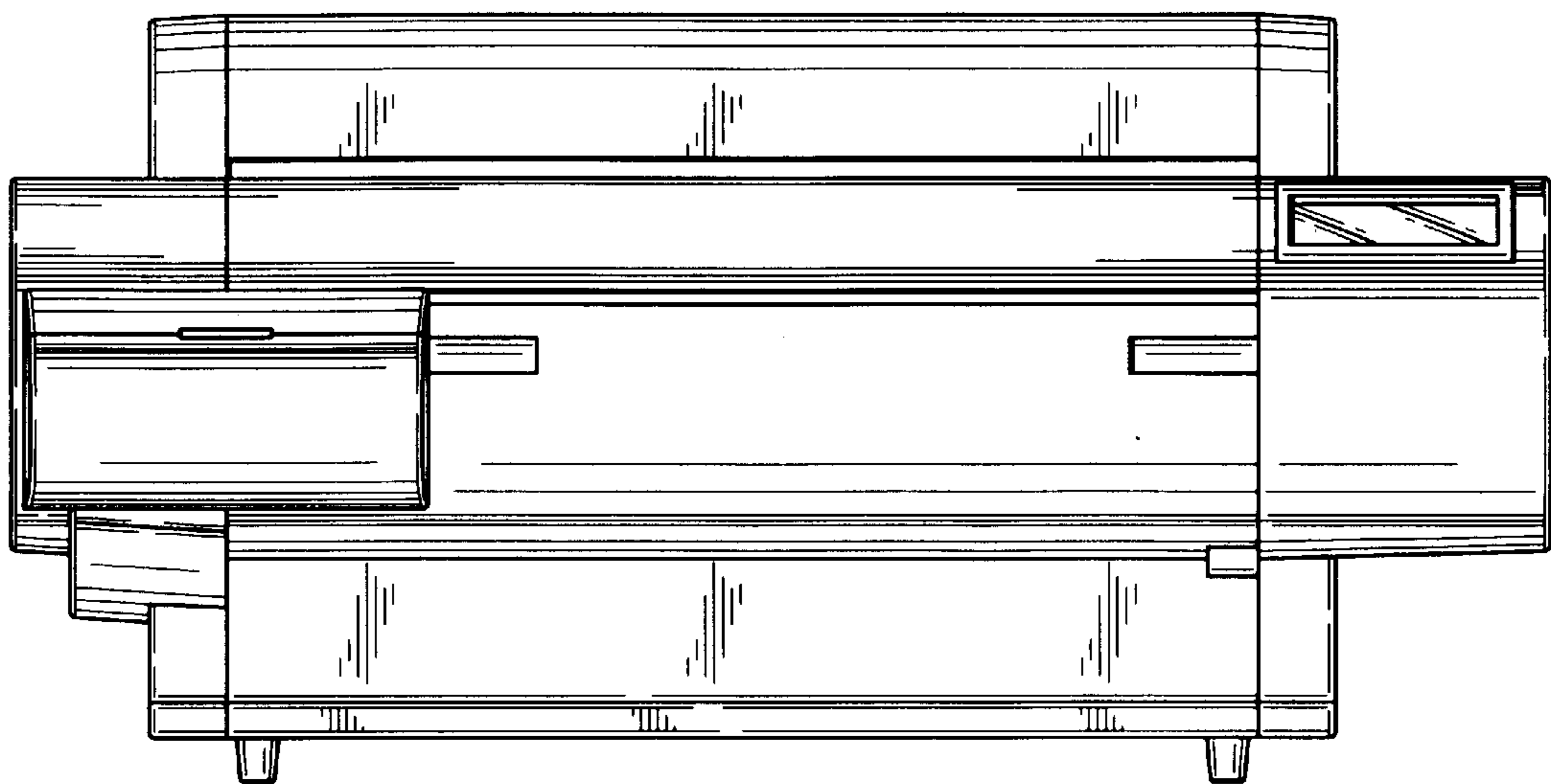
**1 Claim, 3 Drawing Sheets**



*FIG. 1*



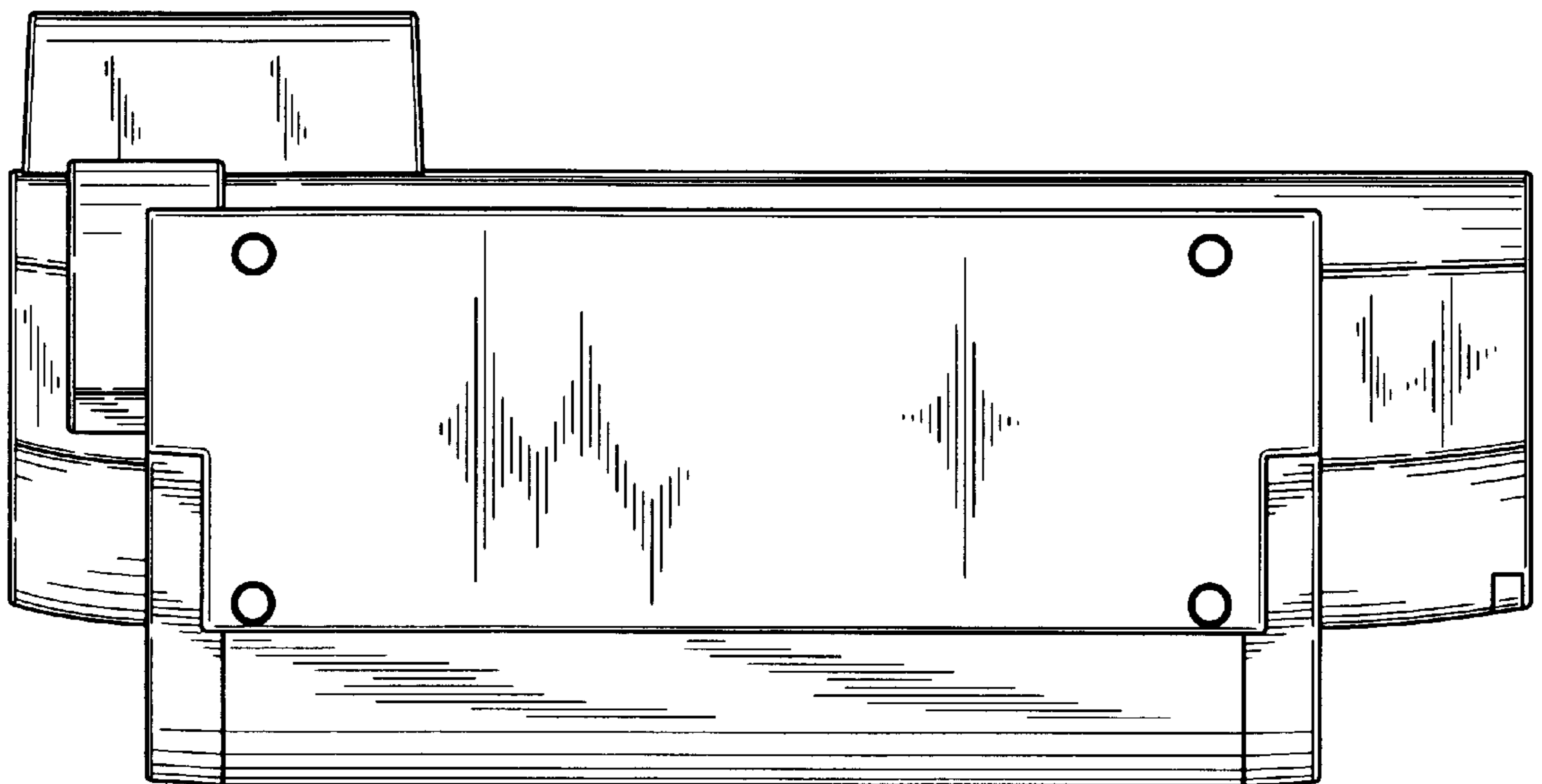
*FIG. 2*



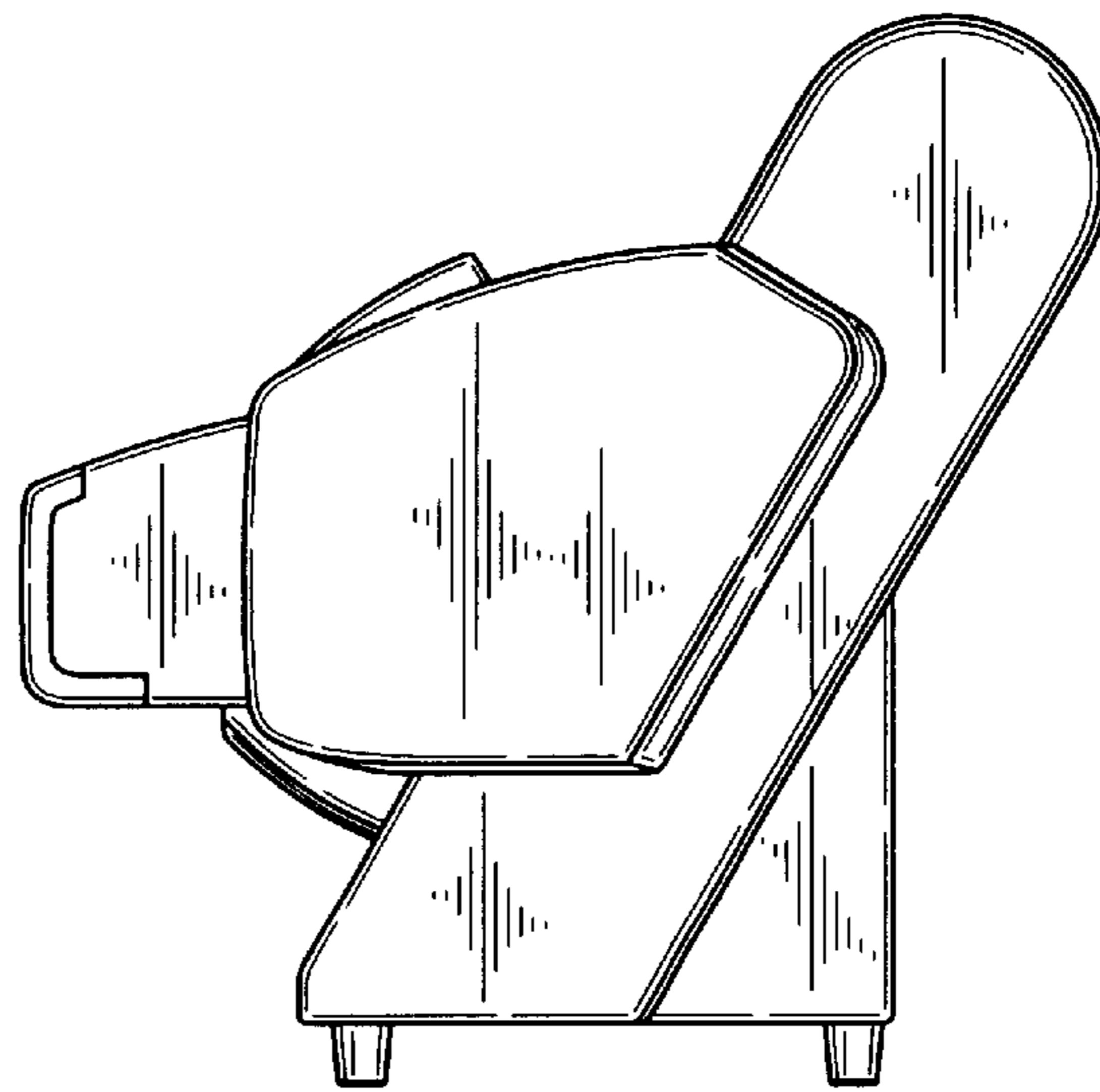
*FIG. 3*



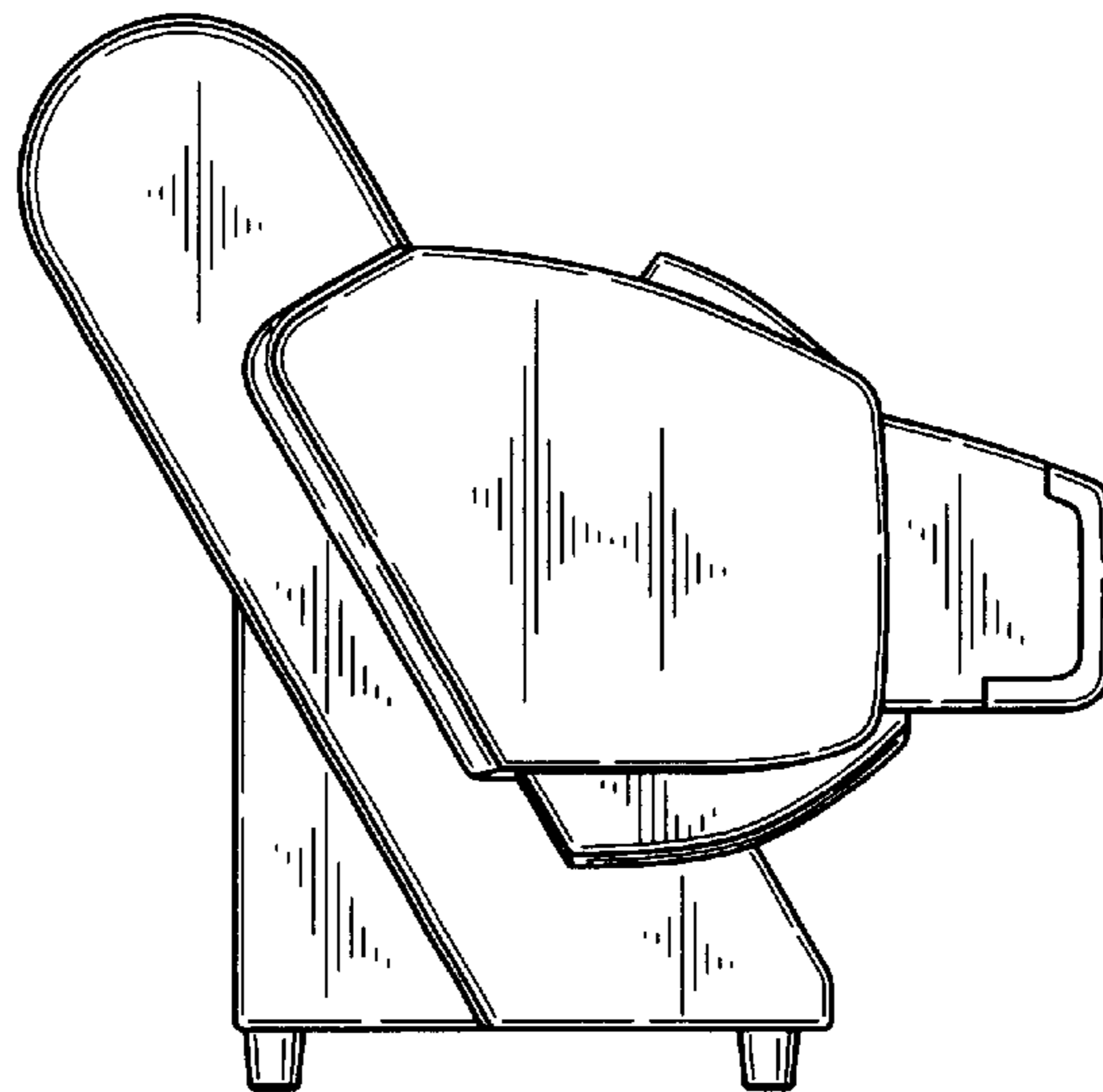
*FIG. 4*



*FIG. 5*



*FIG. 6*



*FIG. 7*

