



US00D443884S

(12) **United States Design Patent**
Goto et al.

(10) **Patent No.:** **US D443,884 S**

(45) **Date of Patent:** **** Jun. 19, 2001**

(54) **PROJECTOR**

(75) Inventors: **Masaaki Goto; Masaki Takemoto,**
both of Saijo (JP)

(73) Assignee: **Matsushita Electric Industrial Co.,**
Ltd., Osaka (JP)

(**) Term: **14 Years**

(21) Appl. No.: **29/129,349**

(22) Filed: **Sep. 11, 2000**

(30) **Foreign Application Priority Data**

Apr. 13, 2000 (JP) 12-009645

(51) **LOC (7) Cl.** **16-02**

(52) **U.S. Cl.** **D16/230; D16/225**

(58) **Field of Search** D16/205, 208,
D16/221, 225, 230, 231, 234; D21/514;
352/342, 343; 353/115, 119, 122

(56) **References Cited**

U.S. PATENT DOCUMENTS

- D. 374,024 * 9/1996 Onoda D16/225
- D. 420,033 * 2/2000 Takano et al. D16/231
- D. 422,003 * 3/2000 Takizawa D16/230
- D. 425,539 * 5/2000 Fujii et al. D16/231
- D. 429,270 * 8/2000 Ishibashi et al. D16/225
- 6,053,616 * 4/2000 Fujimori et al. 353/119

OTHER PUBLICATIONS

Sharp Catalog, Apr. 1998 (Model Nos. XV-N1100 and XV-X1000).*

Panasonic catalog; Matsushita TH-L75Hj and TH-L557J; Dec. 1999.

* cited by examiner

Primary Examiner—Adir Aronovich

(74) *Attorney, Agent, or Firm*—Christensen O'Connor Johnson Kindness PLLC

(57) **CLAIM**

The ornamental design for a projector, as shown and described.

DESCRIPTION

FIG. 1 is a perspective view of the top, front and right side of a projector showing our new design;

FIG. 2 is a perspective view of the top, rear and left side thereof;

FIG. 3 is a front view thereof;

FIG. 4 is a rear view thereof;

FIG. 5 is a top plan view thereof;

FIG. 6 is a right side view thereof;

FIG. 7 is a left side view thereof; and,

FIG. 8 is a bottom view thereof.

1 Claim, 6 Drawing Sheets

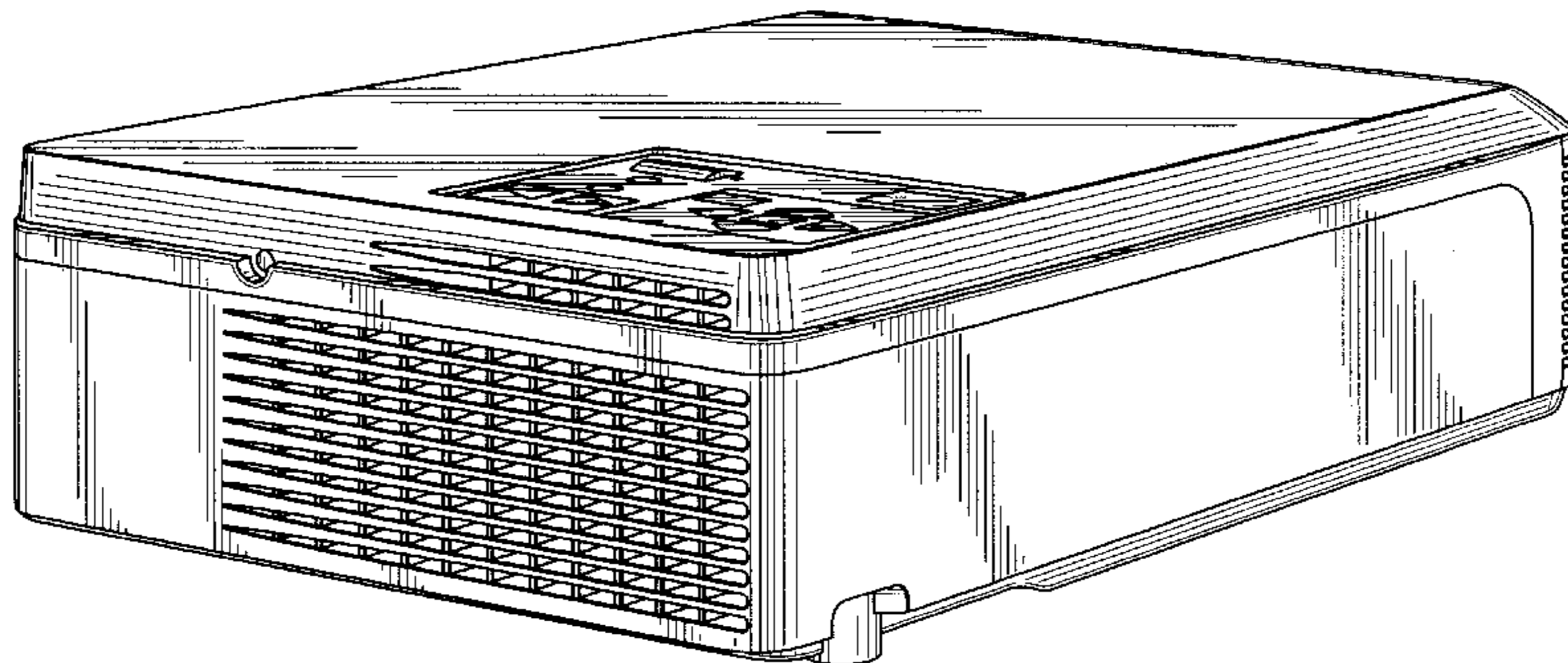
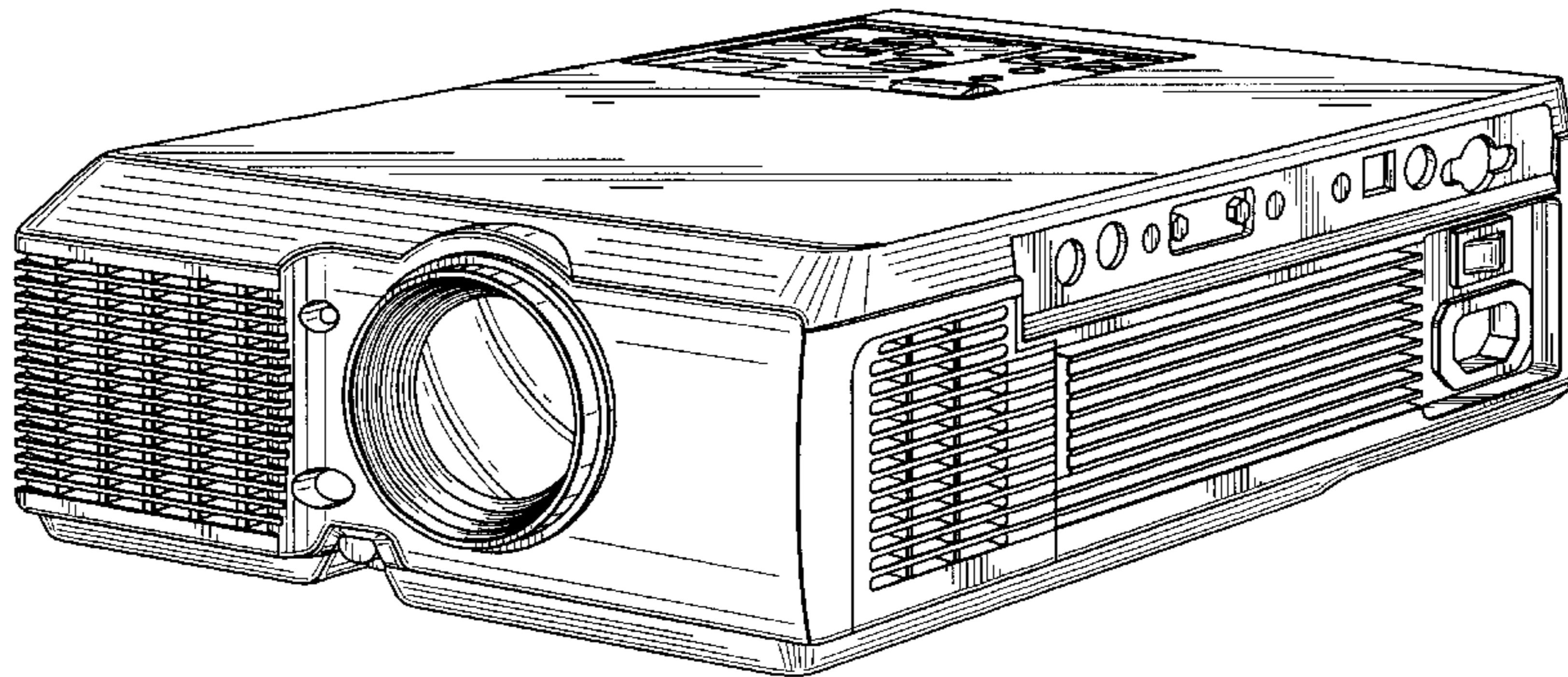


FIG. 1

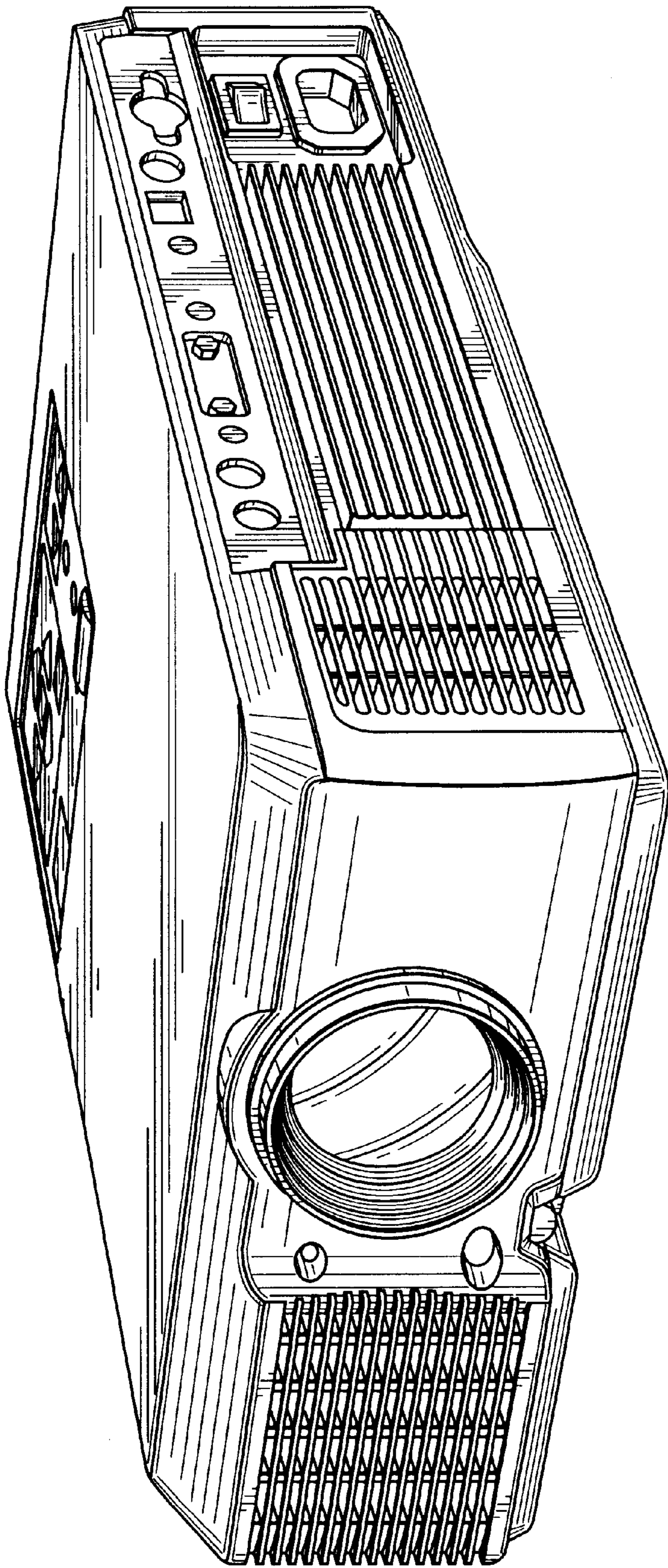


FIG. 2

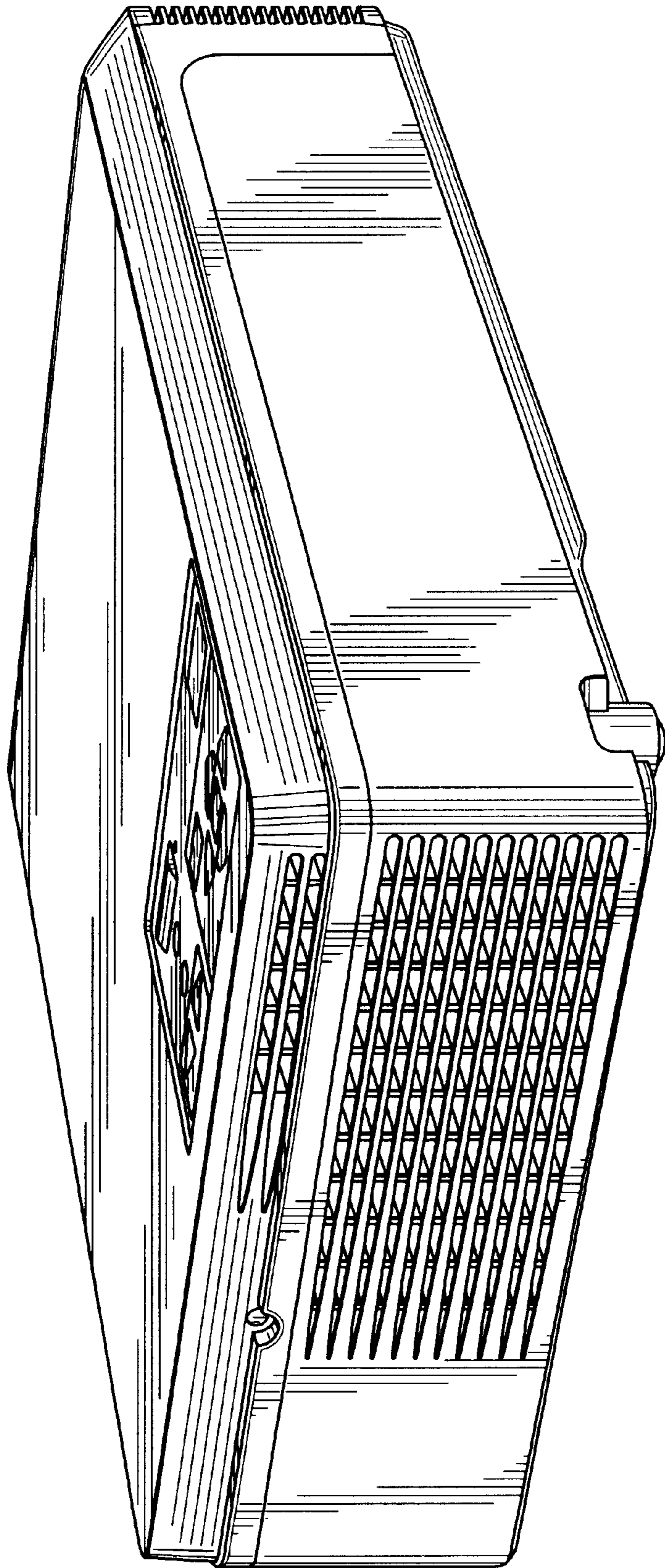


FIG. 3

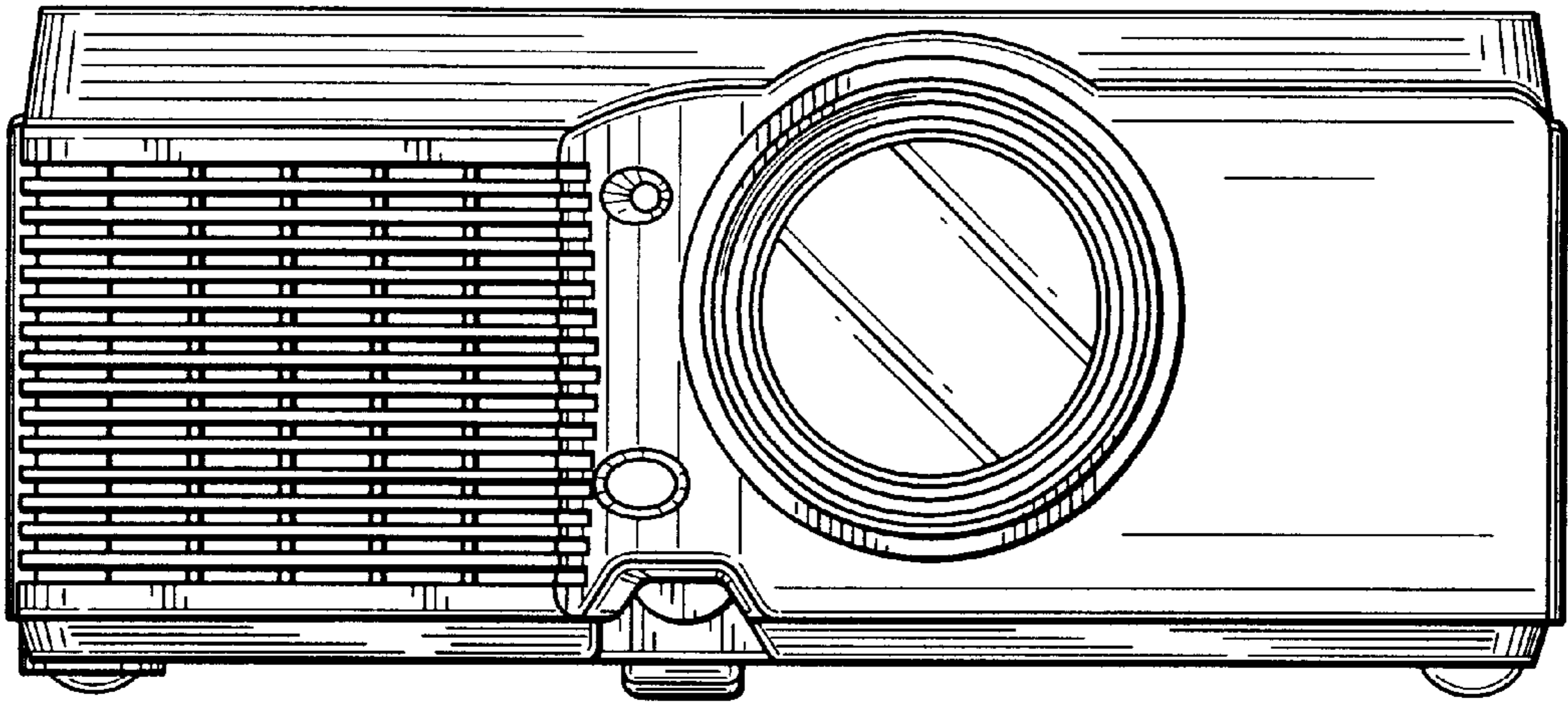


FIG. 4

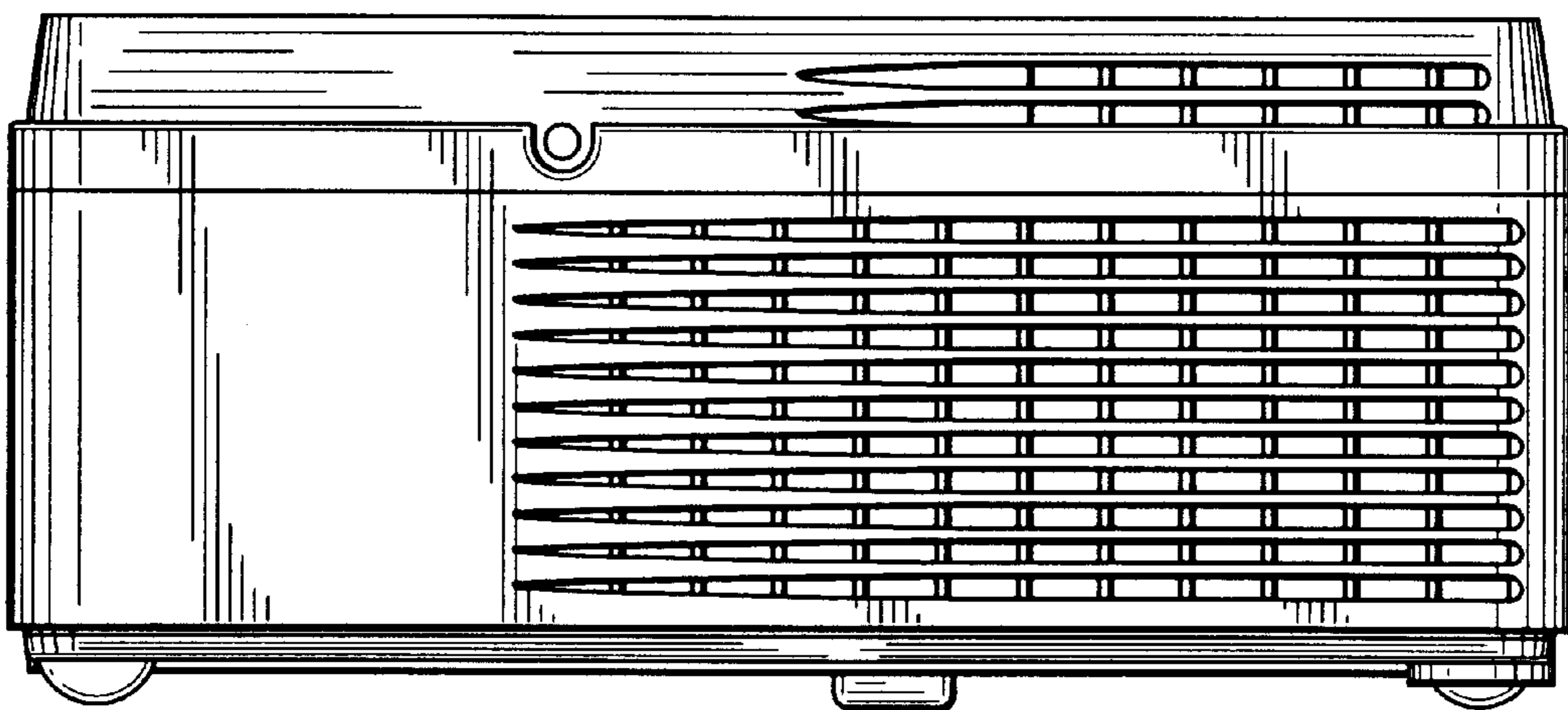


FIG. 5

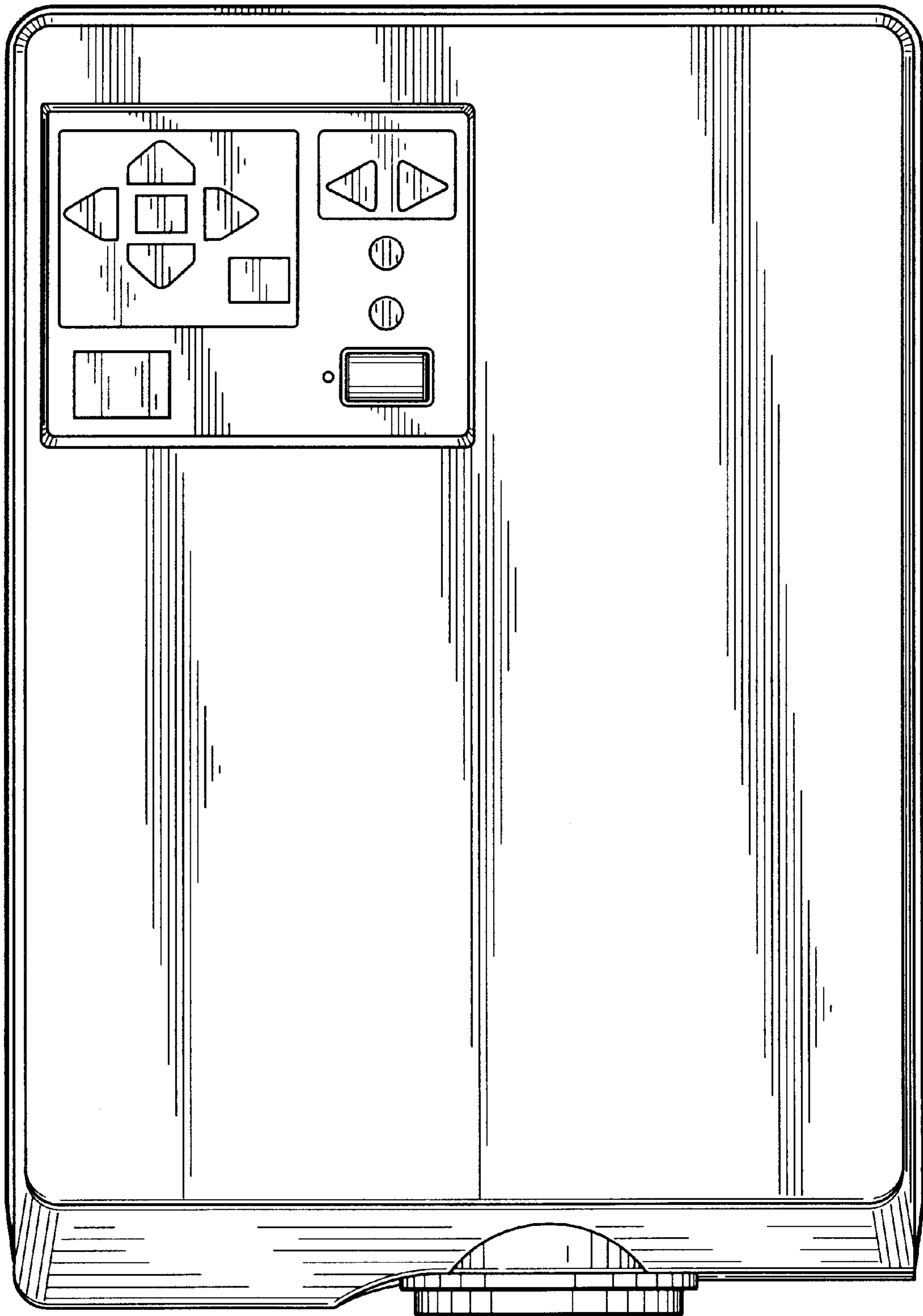


FIG. 6

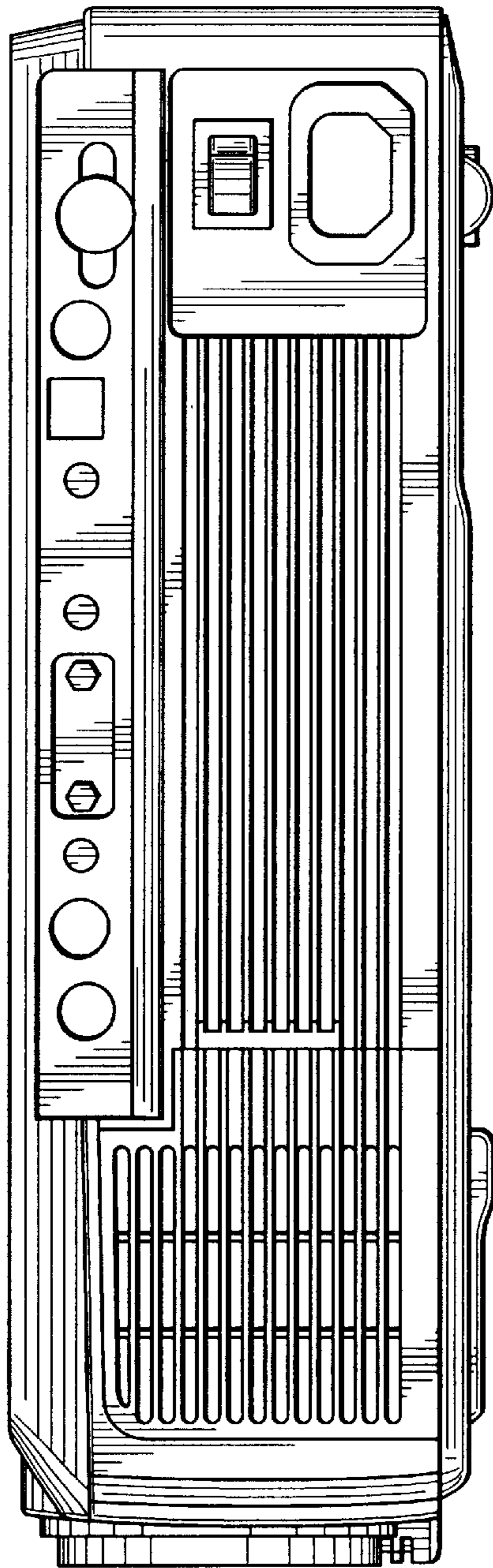


FIG. 7

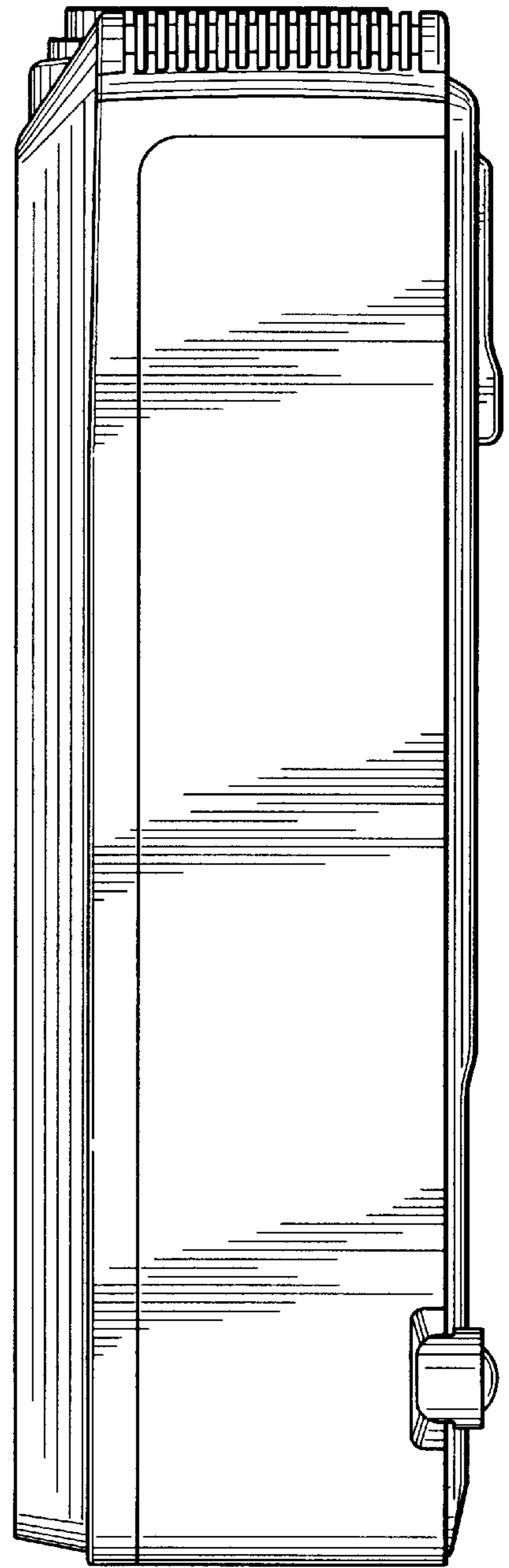


FIG. 8

