



US00D443882S

(12) **United States Design Patent**
Daniels et al.

(10) **Patent No.:** **US D443,882 S**
(45) **Date of Patent:** **** Jun. 19, 2001**

(54) **ROUTER TABLE**

5,722,472 * 3/1998 Wang 144/286.1

(75) Inventors: **David R. Daniels**, Lake Villa, IL (US);
Klemens Degen, Weibern (DE);
Edmund Apolinski, Chicago, IL (US)

* cited by examiner

Primary Examiner—Antoine Duval Davis
(74) *Attorney, Agent, or Firm*—Schiff Hardin & Waite

(73) Assignee: **Wolfcraft GmbH**, Kempenich (DE)

(57) **CLAIM**

(**) Term: **14 Years**

The ornamental design for a router table, as shown and described.

(21) Appl. No.: **29/127,665**

DESCRIPTION

(22) Filed: **Aug. 11, 2000**

FIG. 1 is a perspective view of the router table of this design.
FIG. 2 is a top plan view of the router table of FIG. 1.
FIG. 3 is a bottom view of the router table of FIG. 1.
FIG. 4 is front elevation view of the router table of FIG. 1.
FIG. 5 is a left side elevational view of the router table of FIG. 1.
FIG. 6 is a right side elevational view of the router table of FIG. 1; and,
FIG. 7 is a rear elevational view of the router table of FIG. 1.

(51) **LOC (7) Cl.** **15-09**

(52) **U.S. Cl.** **D15/127**

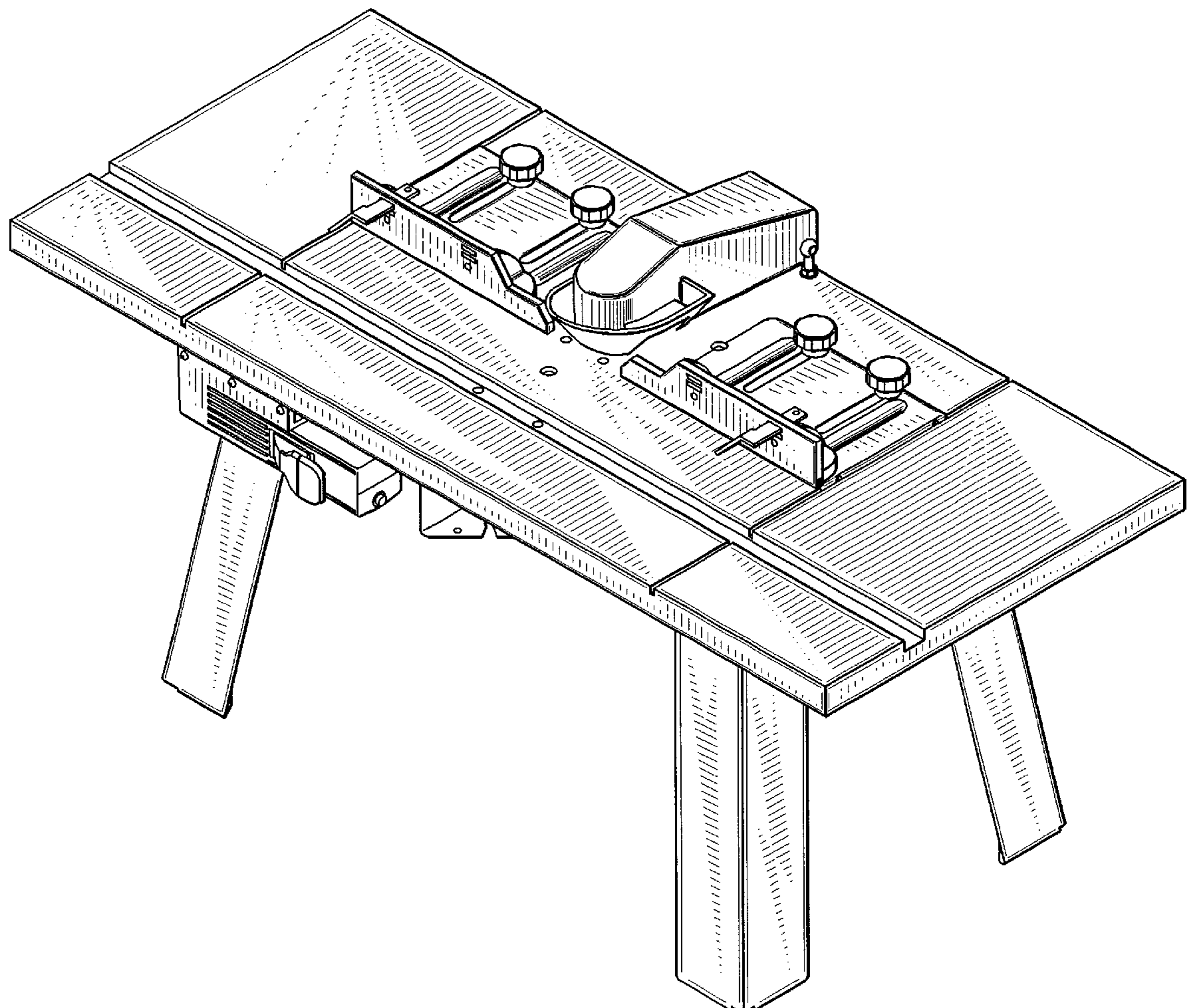
(58) **Field of Search** D15/127; 144/134.1,
144/135.2, 136.1, 204.2, 253.2, 253.5, 286.1,
286.5

(56) **References Cited**

U.S. PATENT DOCUMENTS

D. 343,846 * 2/1994 Balolia et al. D15/127

1 Claim, 4 Drawing Sheets



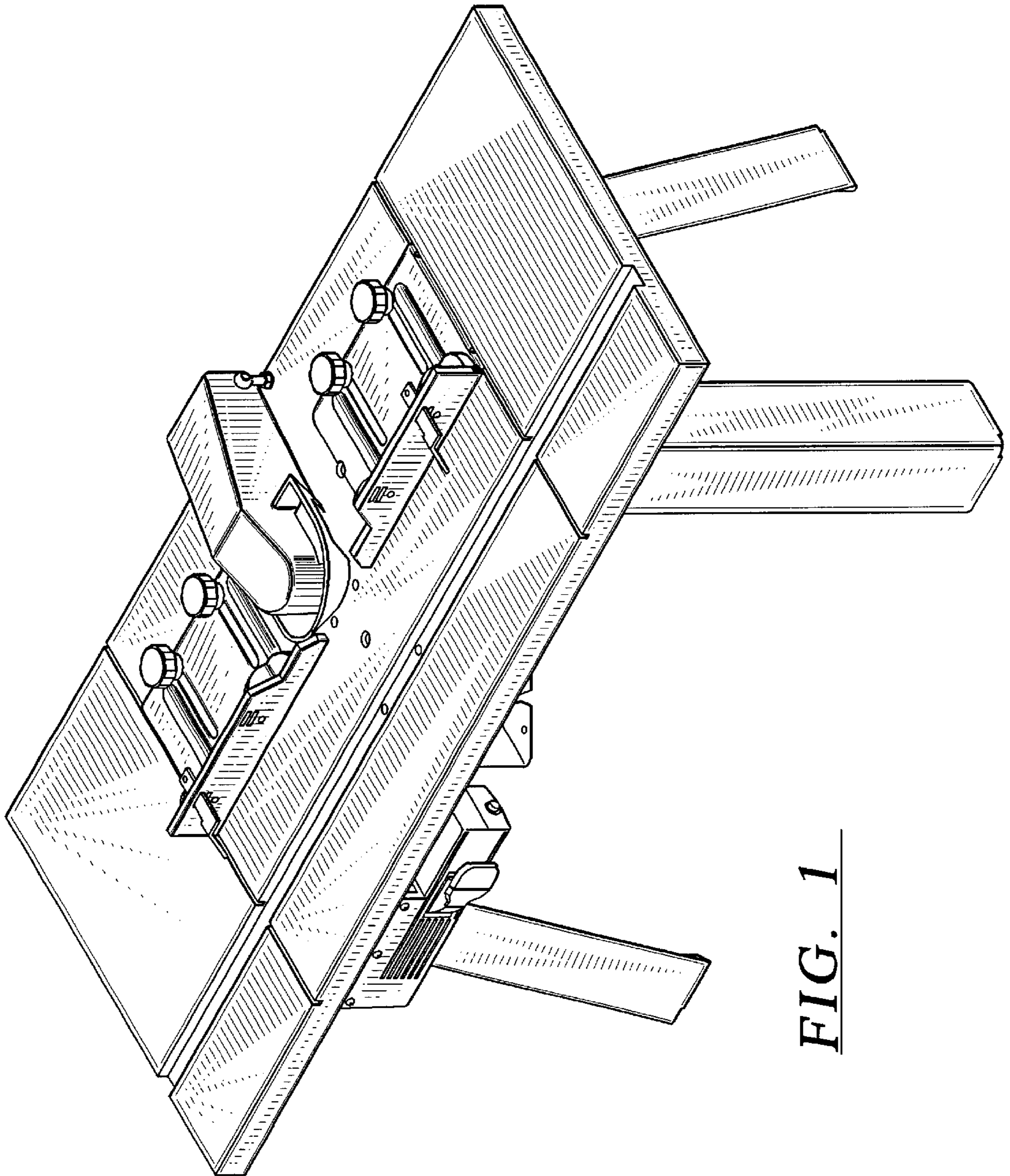


FIG. 1

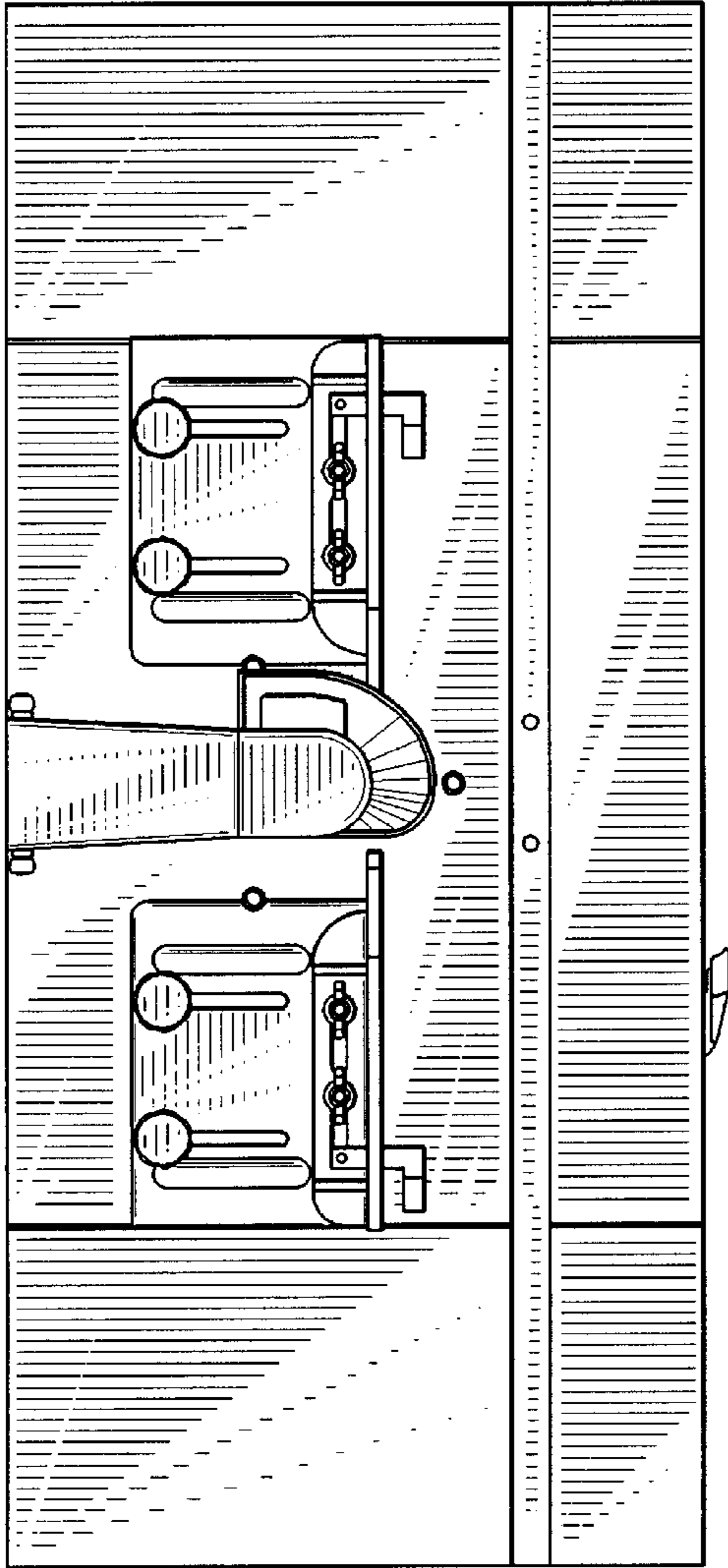


FIG. 2

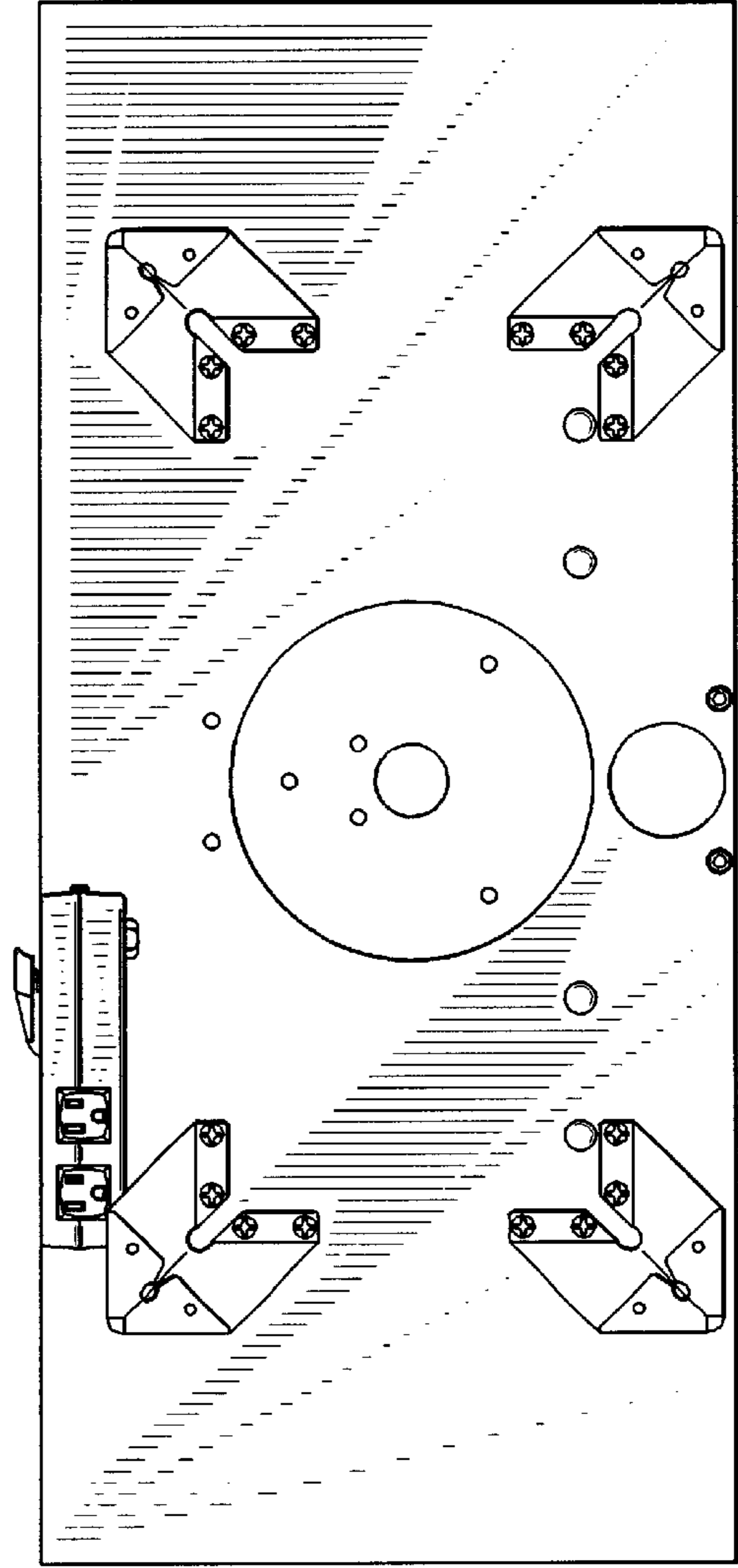


FIG. 3

FIG. 5

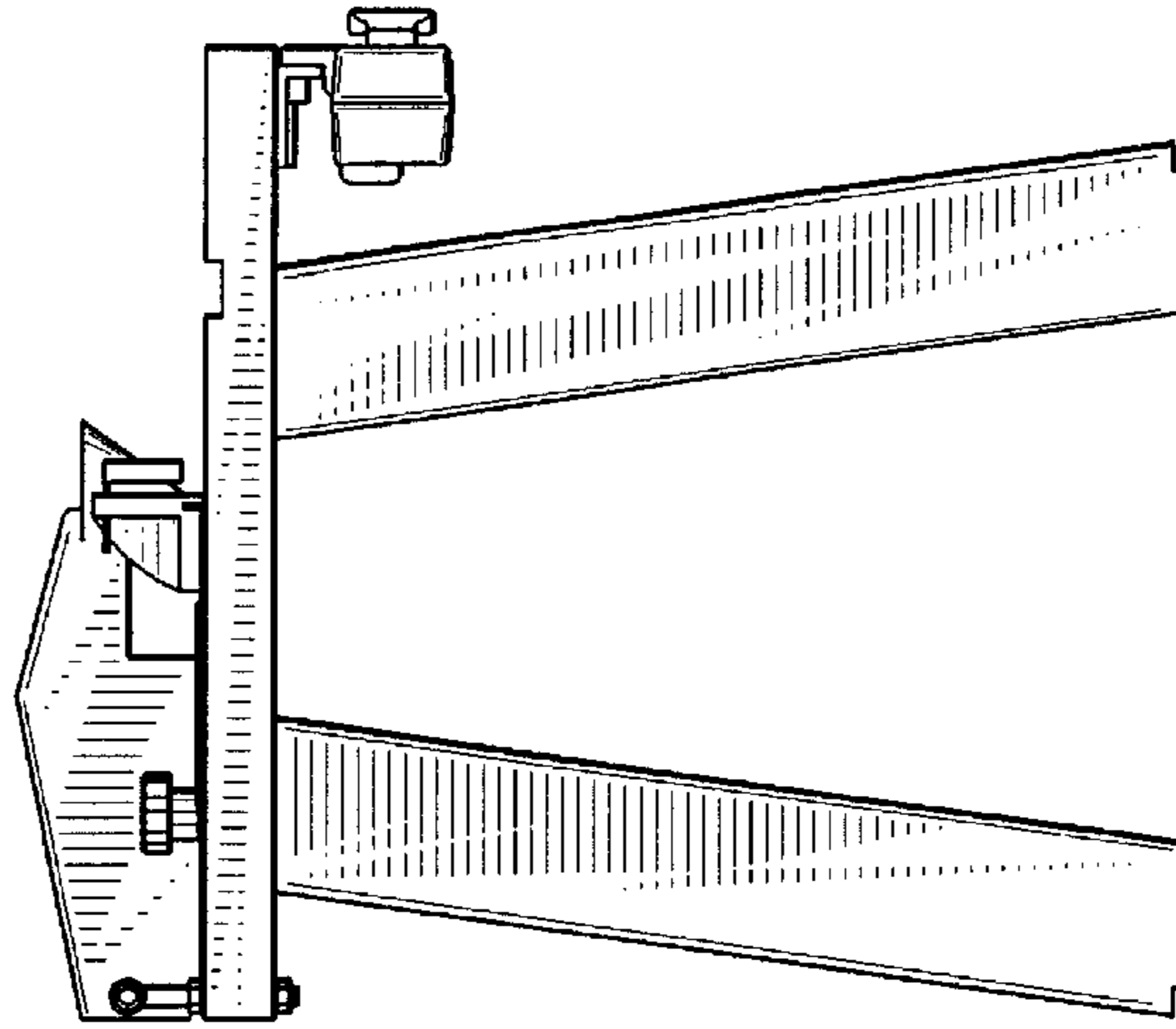


FIG. 4

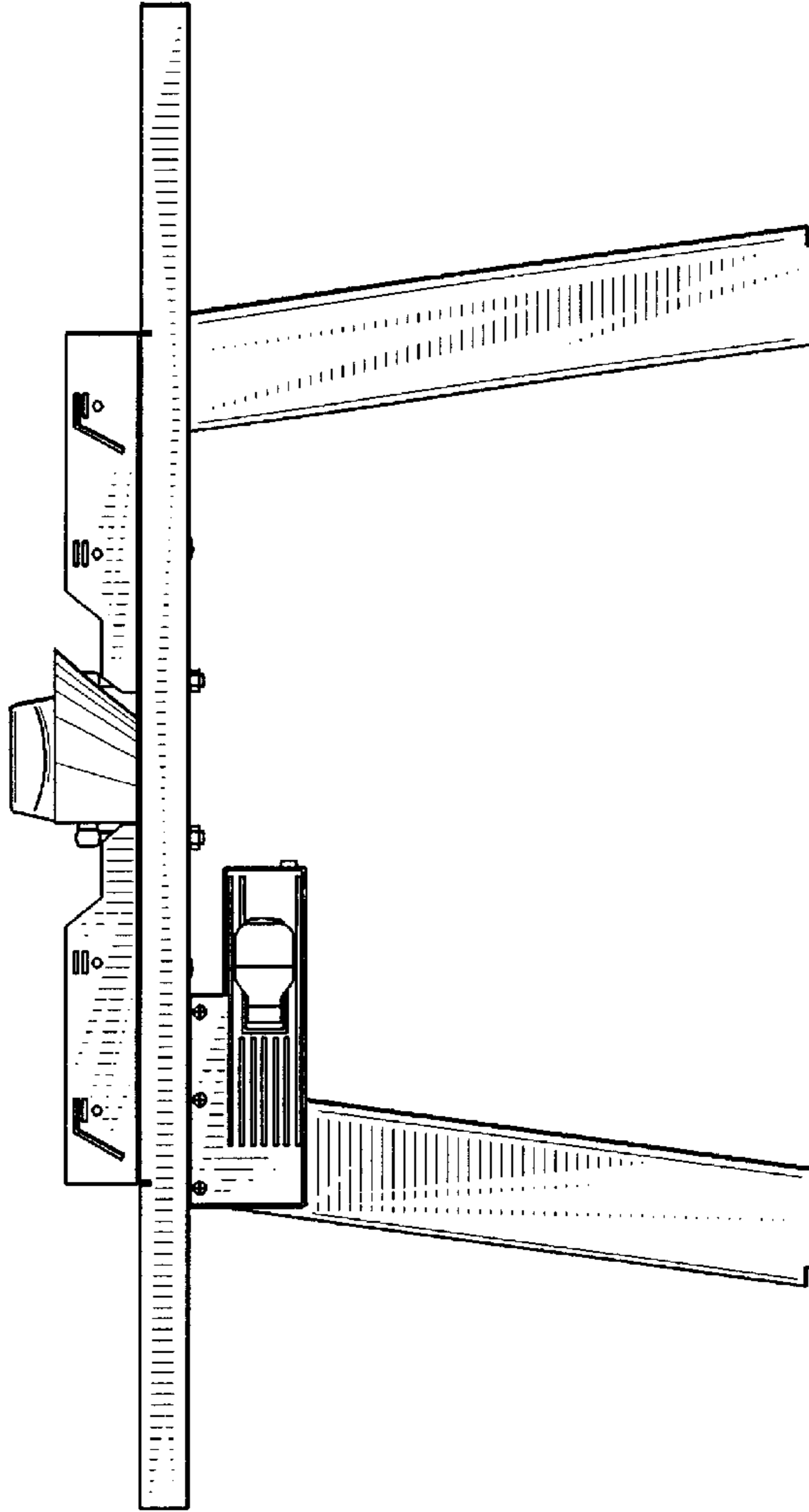


FIG. 7

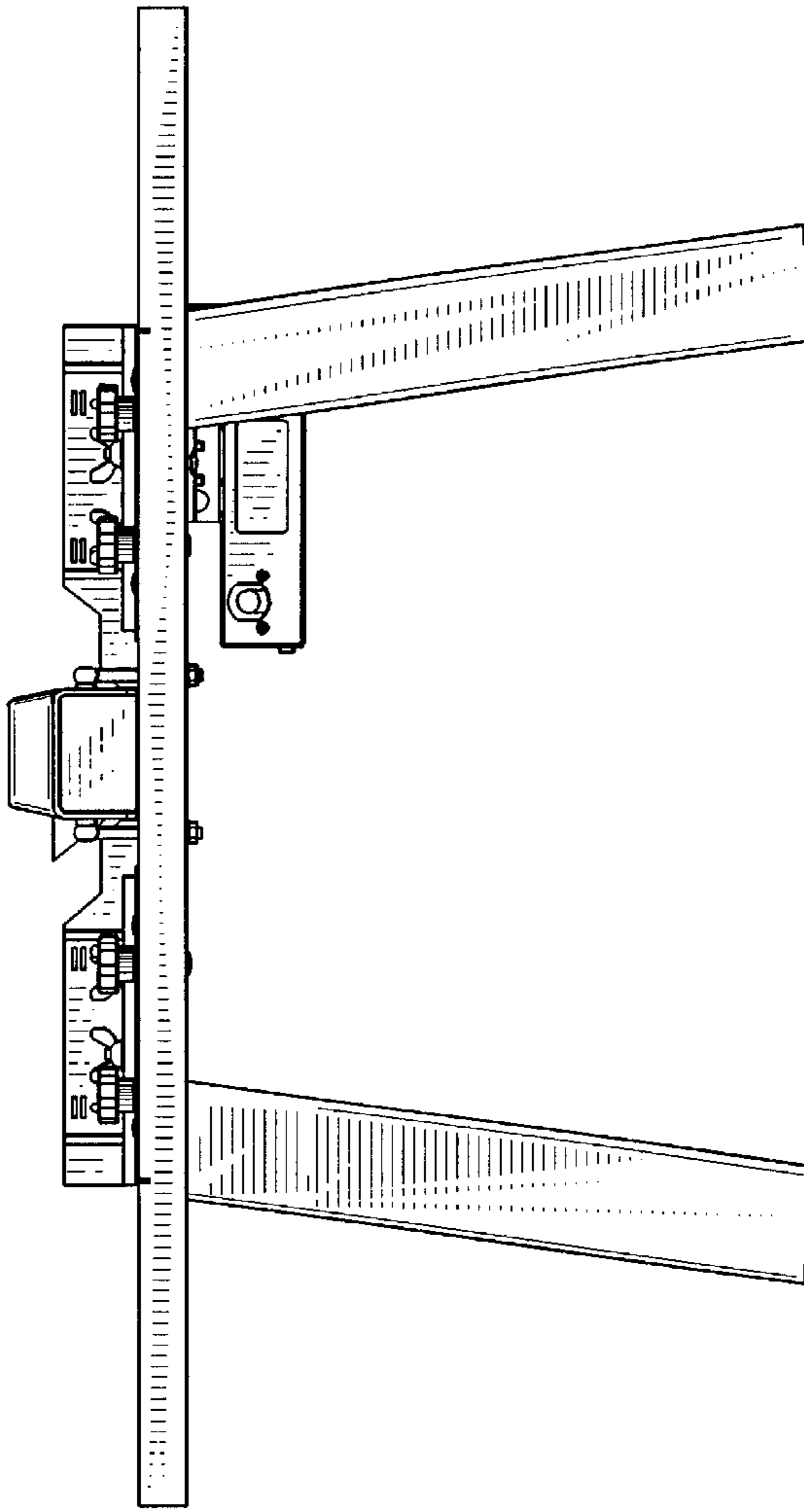


FIG. 6

