



US00D443881S

(12) **United States Design Patent**
Tsai

(10) **Patent No.:**

US D443,881 S

(45) **Date of Patent:**

**** Jun. 19, 2001**

(54) **PUMP**

D. 419,567 * 1/2000 Weiss D15/7

* cited by examiner

(76) **Inventor:** **Long-Po Tsai**, 4Fl., No. 46, Lane 50,
Ming-Tsu Rd., Chu-Wei Li, Tan-Shui
Chen, Taipei Hsien (TW)

Primary Examiner—Ralf Seifert
(74) *Attorney, Agent, or Firm*—Alan Kamrath, Esq.; Rider,
Bennett, Egan, Arundel, LLP

(**) **Term:** **14 Years**

(57) **CLAIM**

(21) **Appl. No.:** **29/127,271**

The ornamental design for a pump, as shown and described.

(22) **Filed:** **Aug. 2, 2000**

DESCRIPTION

(51) **LOC (7) Cl.** **15-02**

FIG. 1 is a perspective view of a pump, showing my new design;

(52) **U.S. Cl.** **D15/7**

FIG. 2 is a front elevational view thereof;

(58) **Field of Search** D15/7-9; 417/234,
417/449, 360, 362, 375, 376, 423.3, 909;
132/899.4, 565.18; 92/58.1; 119/76

FIG. 3 is a rear elevational view thereof;

FIG. 4 is a left elevational view thereof;

FIG. 5 is a right elevational view thereof;

FIG. 6 is top plan view thereof;

FIG. 7 is a bottom plan view thereof; and,

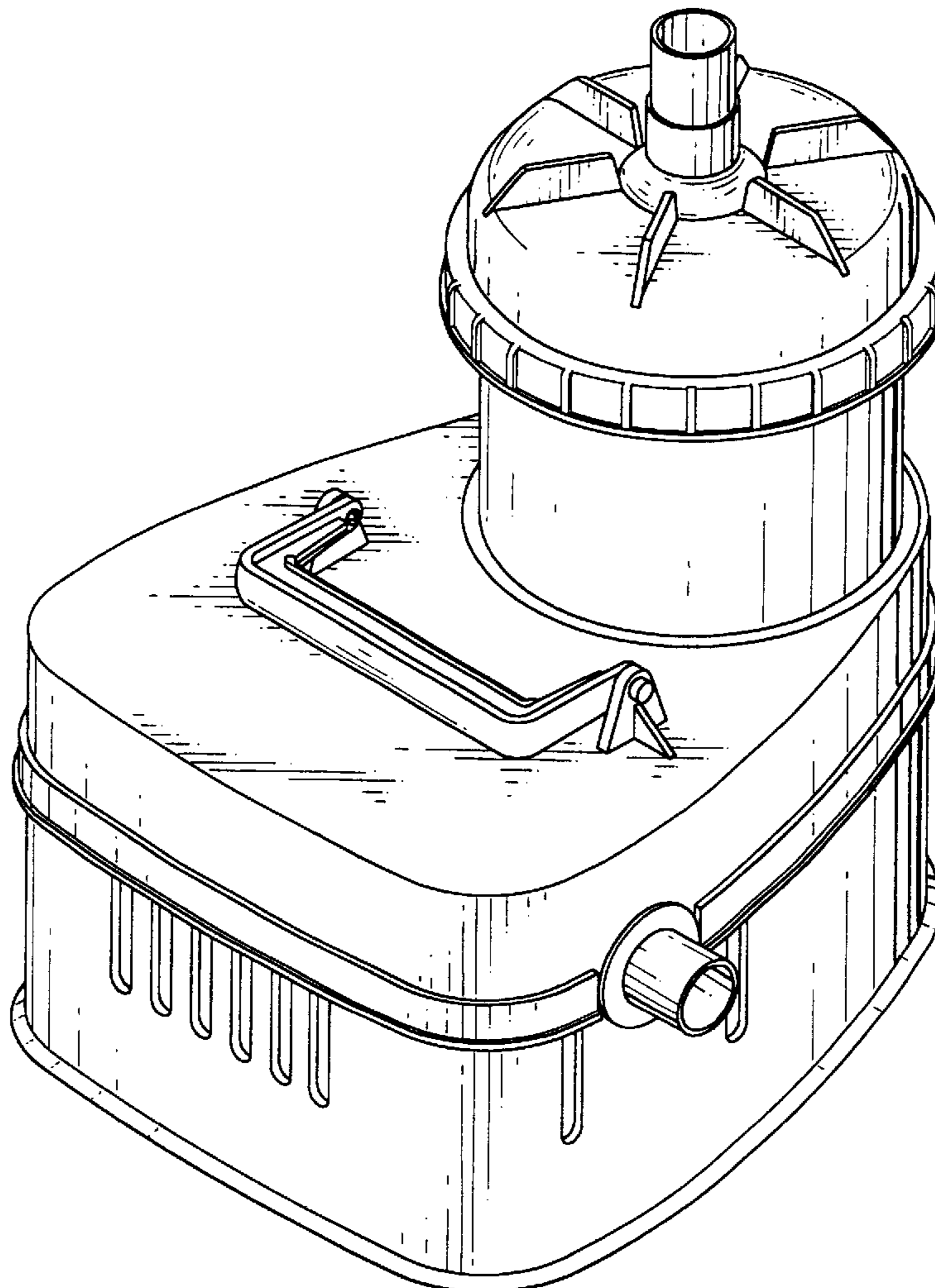
FIG. 8 is a perspective view thereof showing the application of the pump with nozzles, wherein the elements shown in broken lines are for illustrative purpose only and form no part of the claimed design.

(56) **References Cited**

U.S. PATENT DOCUMENTS

- D. 268,412 * 3/1983 Davis et al. D15/7
- D. 298,832 * 12/1988 Dunlap D15/9
- D. 376,370 * 12/1996 Davis et al. D15/7
- D. 403,329 * 12/1998 Walker et al. D15/7

1 Claim, 5 Drawing Sheets



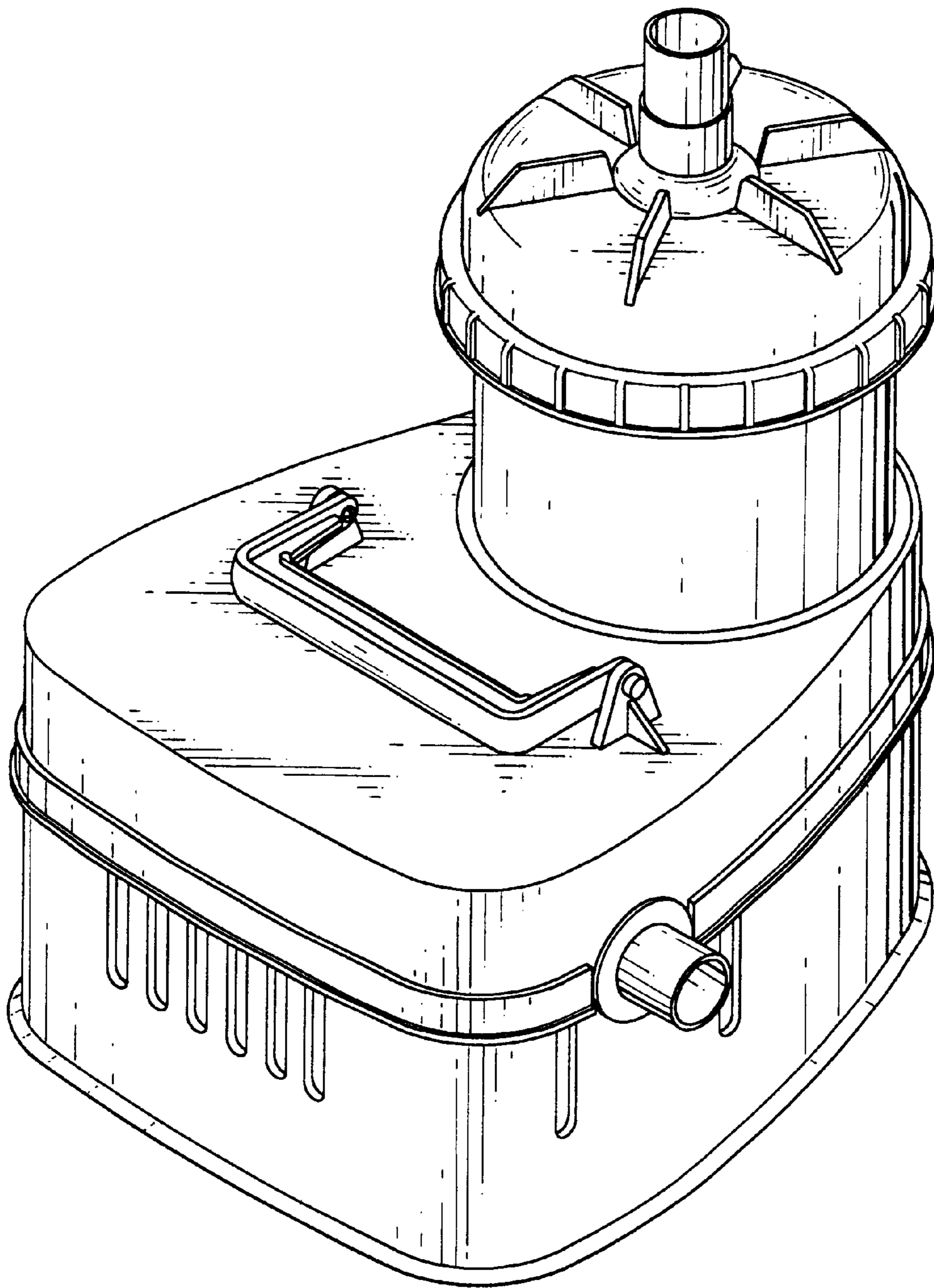


FIG. 1

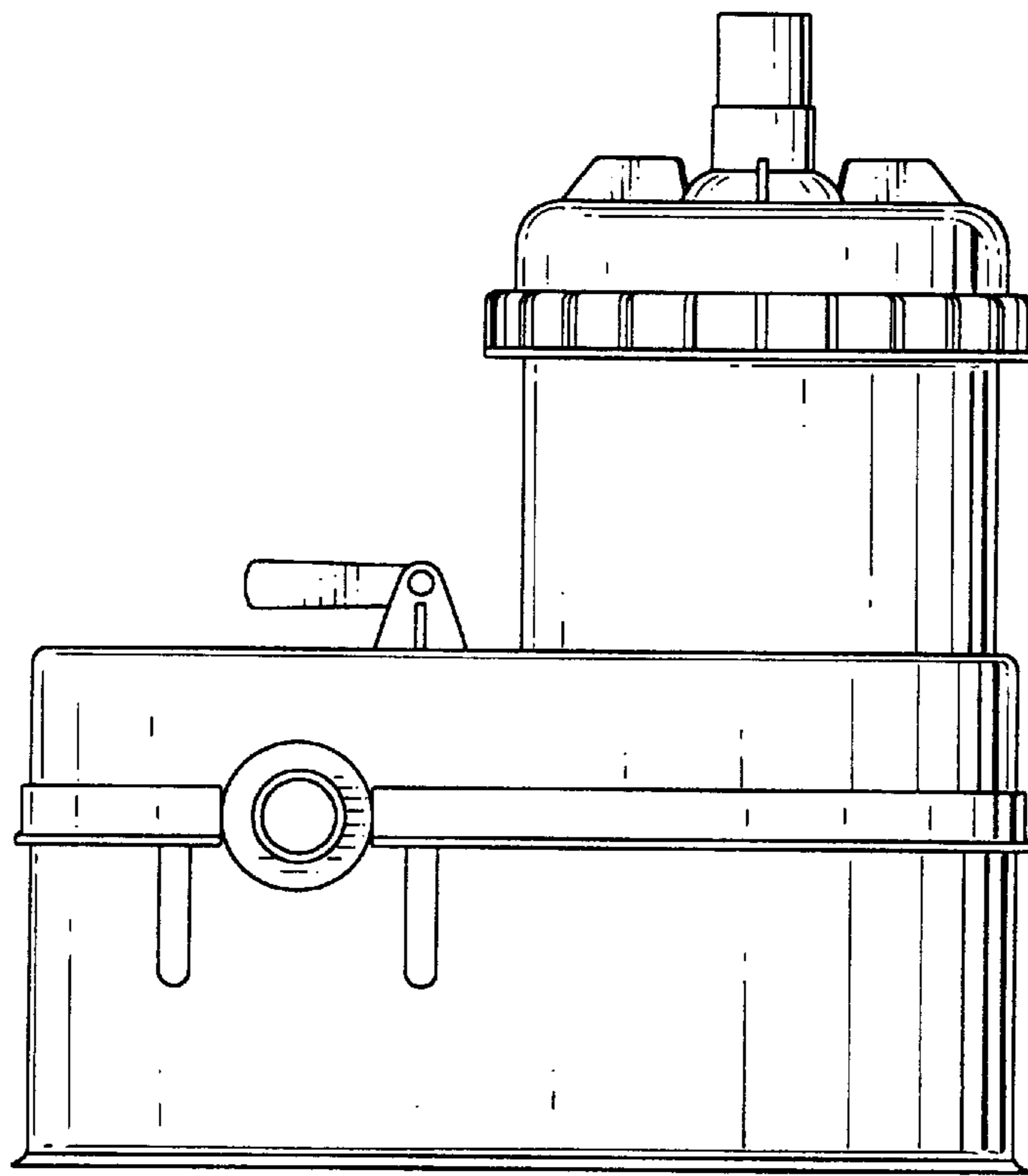


FIG. 2

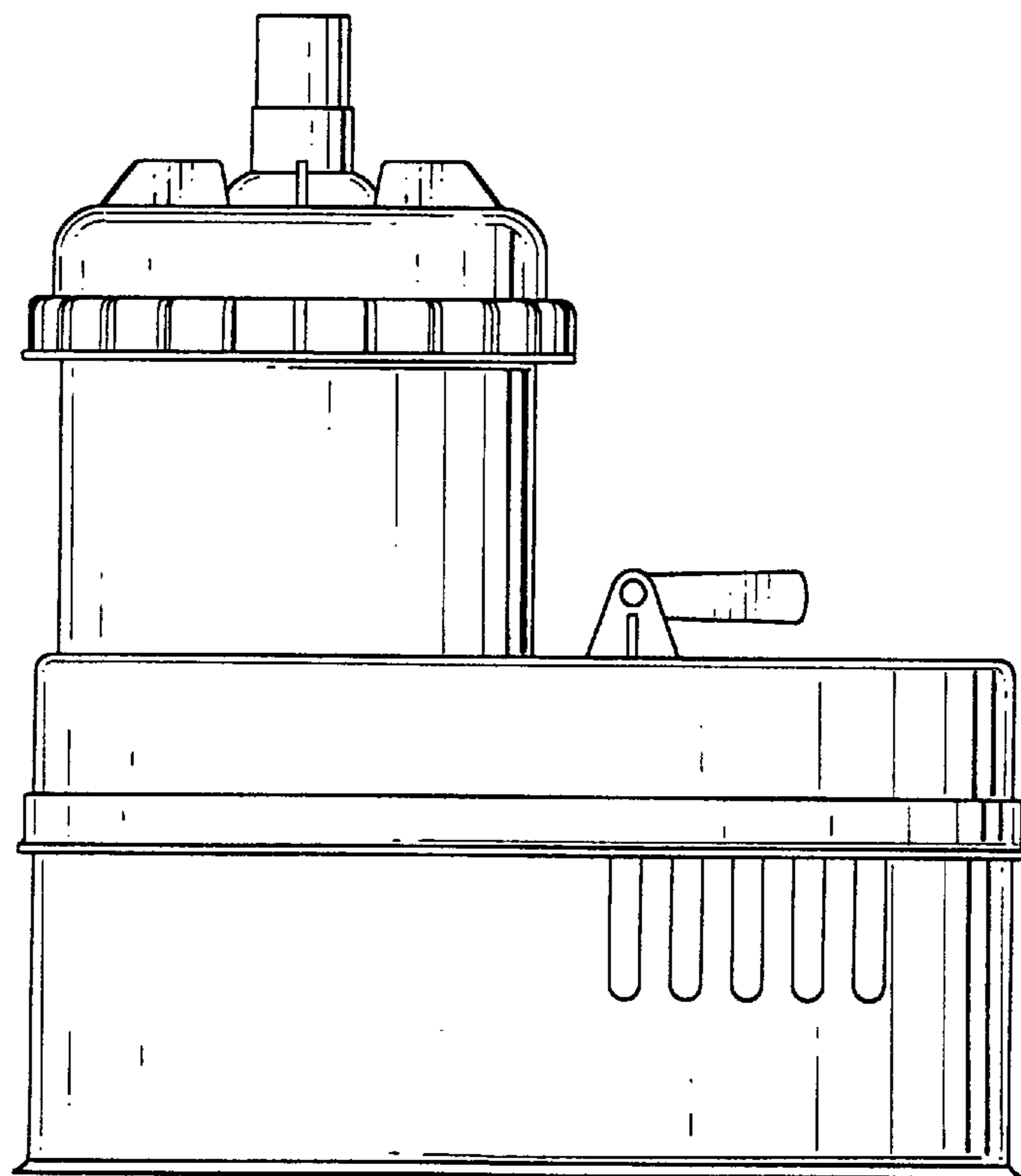


FIG. 3

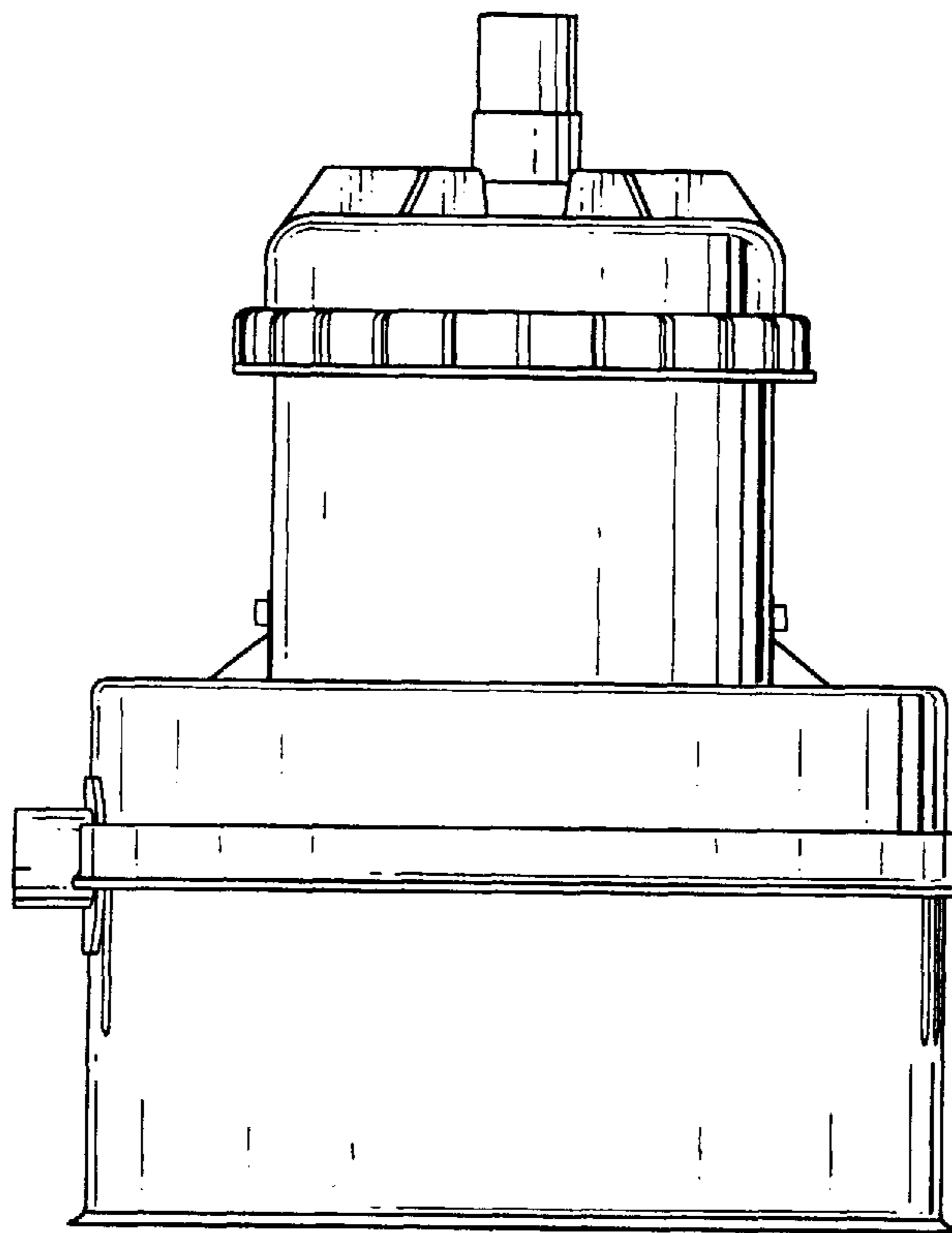


FIG. 5

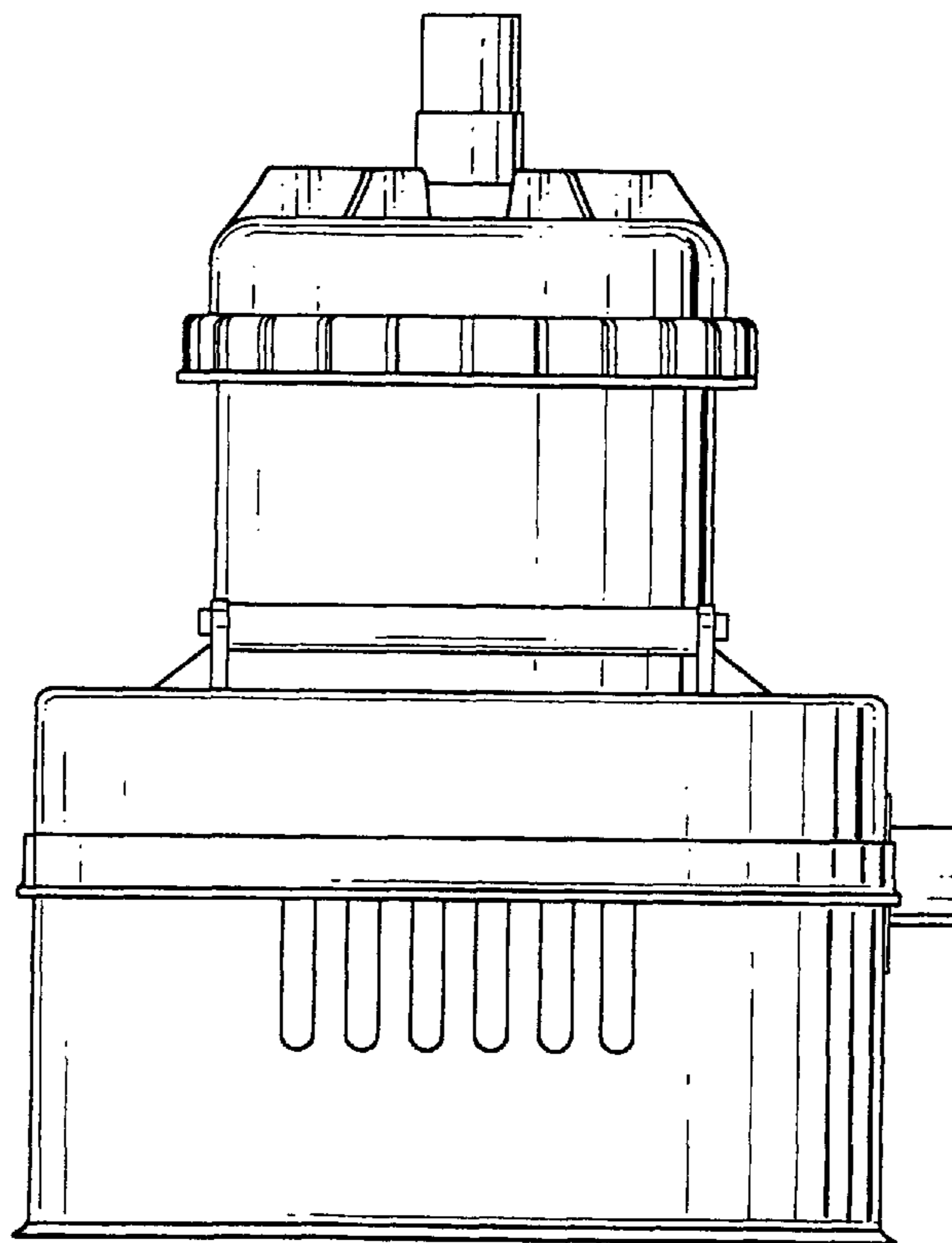


FIG. 4

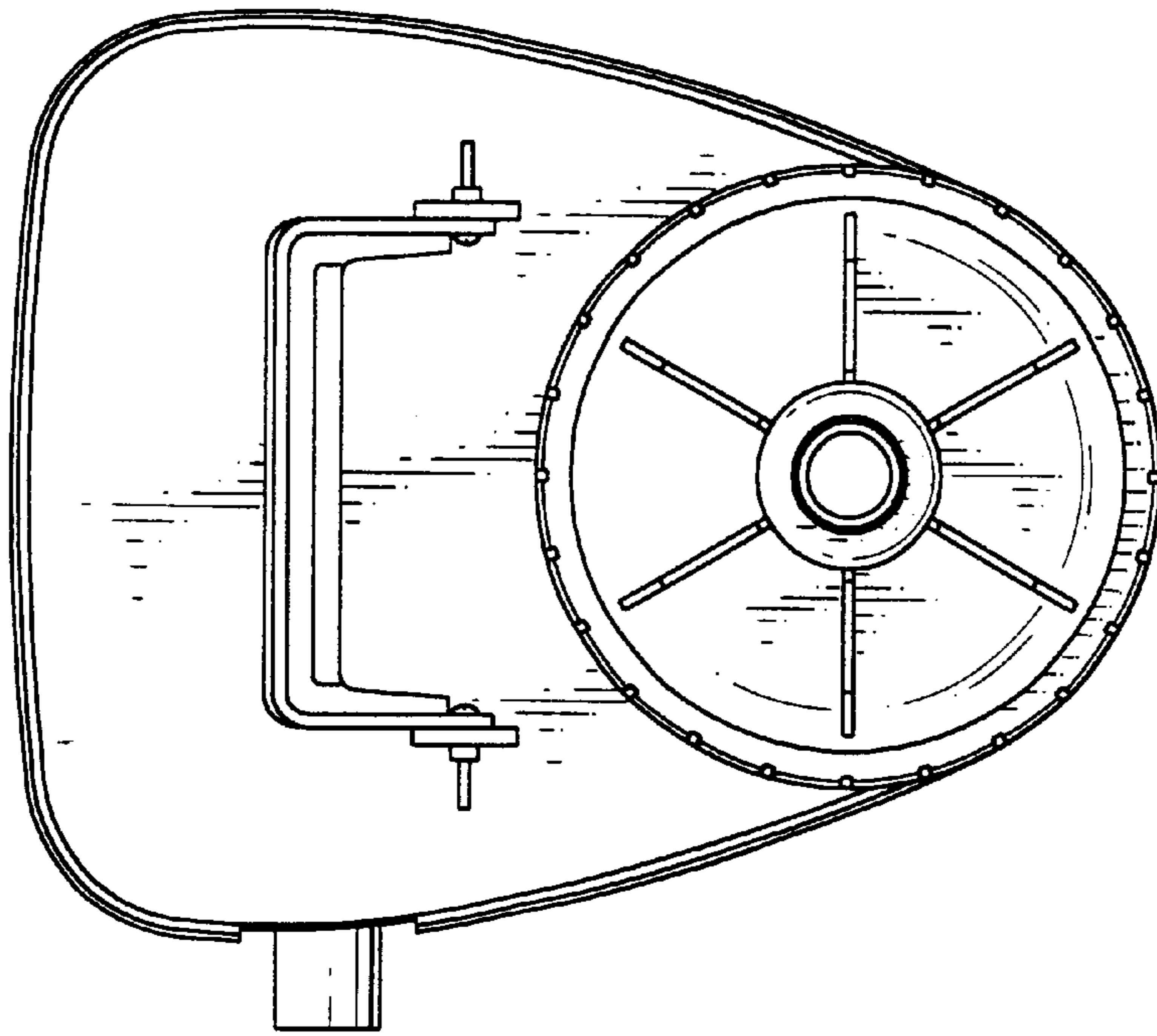


FIG. 6

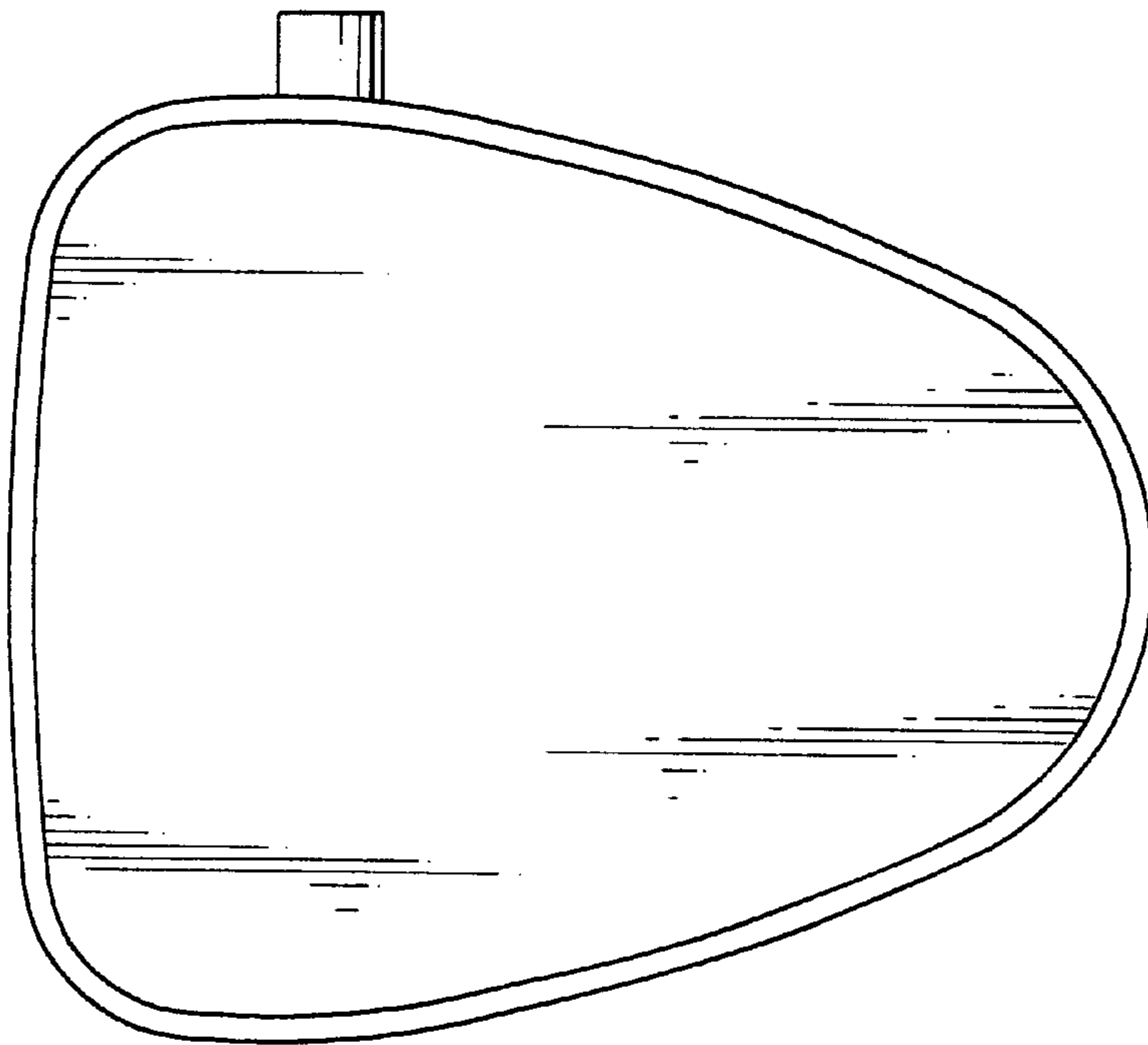


FIG. 7

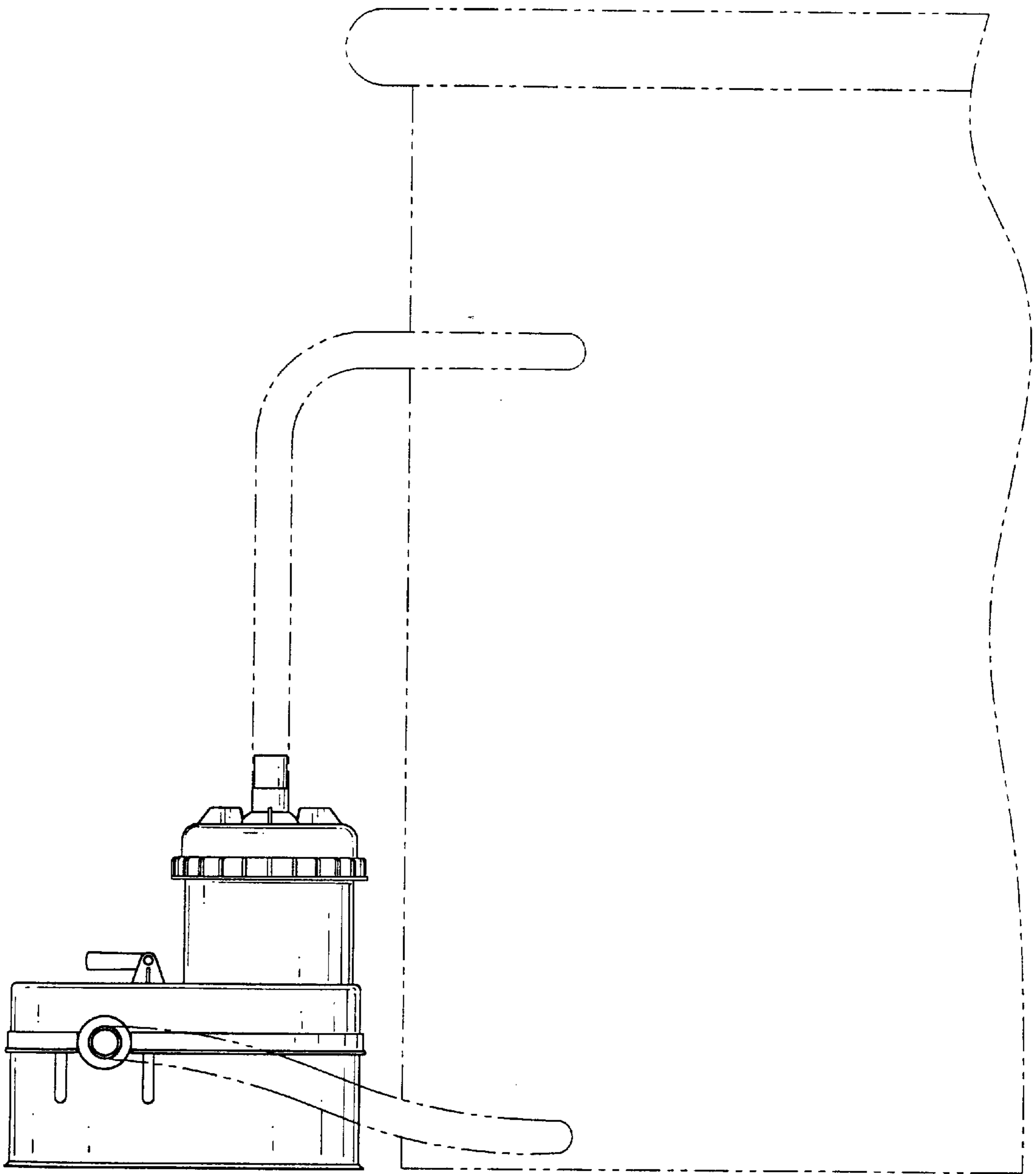


FIG. 8