



US00D443880S

(12) **United States Design Patent**
Iida

(10) **Patent No.:** **US D443,880 S**

(45) **Date of Patent:** **** Jun. 19, 2001**

(54) **DRIVE PLATE FOR A MOTOR VEHICLE**

D. 402,996 * 12/1998 Watanabe D15/5

D. 417,229 * 11/1999 Lannoch D15/5

(75) Inventor: **Masanori Iida**, Shizuoka-ken (JP)

* cited by examiner

(73) Assignee: **Fujikiko Kabushiki Kaishi** (JP)

Primary Examiner—Melody N. Brown

(**) Term: **14 Years**

(74) *Attorney, Agent, or Firm*—SAIDMAN DesignLaw Group

(21) Appl. No.: **29/106,738**

(57) **CLAIM**

(22) Filed: **Jun. 21, 1999**

The ornamental design for a drive plate for a motor vehicle, as shown and described.

(30) **Foreign Application Priority Data**

DESCRIPTION

Dec. 28, 1998 (JP) D10-37618

(51) **LOC (7) Cl.** **15-01**

FIG. 1 is a perspective view of a drive plate for a motor vehicle showing our new design;

(52) **U.S. Cl.** **D15/5; D15/148**

FIG. 2 is a front elevational view thereof;

(58) **Field of Search** D15/5, 148; 74/606 R,

FIG. 3 is a rear elevational view thereof;

74/820

FIG. 4 is a top plan view thereof;

FIG. 5 is a bottom view thereof;

(56) **References Cited**

FIG. 6 is a left side view thereof;

U.S. PATENT DOCUMENTS

FIG. 7 is a right side view thereof; and,

D. 373,368 * 9/1996 Matsui D15/148

FIG. 8 is a sectional view taken along line VIII—VIII in

D. 373,369 * 9/1996 Matsui D15/148

FIG. 2.

D. 402,995 * 12/1998 Hakamata D15/5

1 Claim, 4 Drawing Sheets

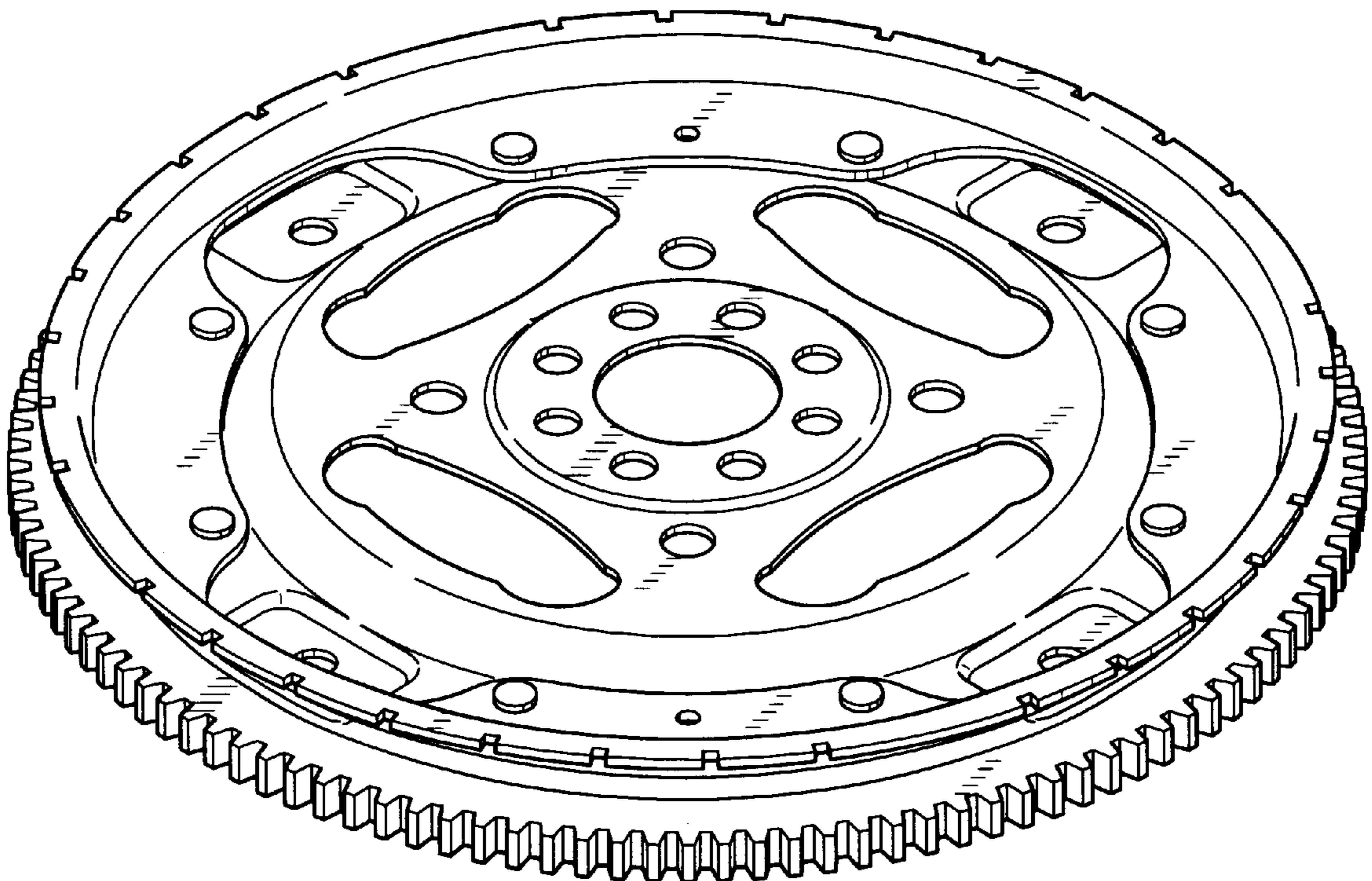


FIG. 1

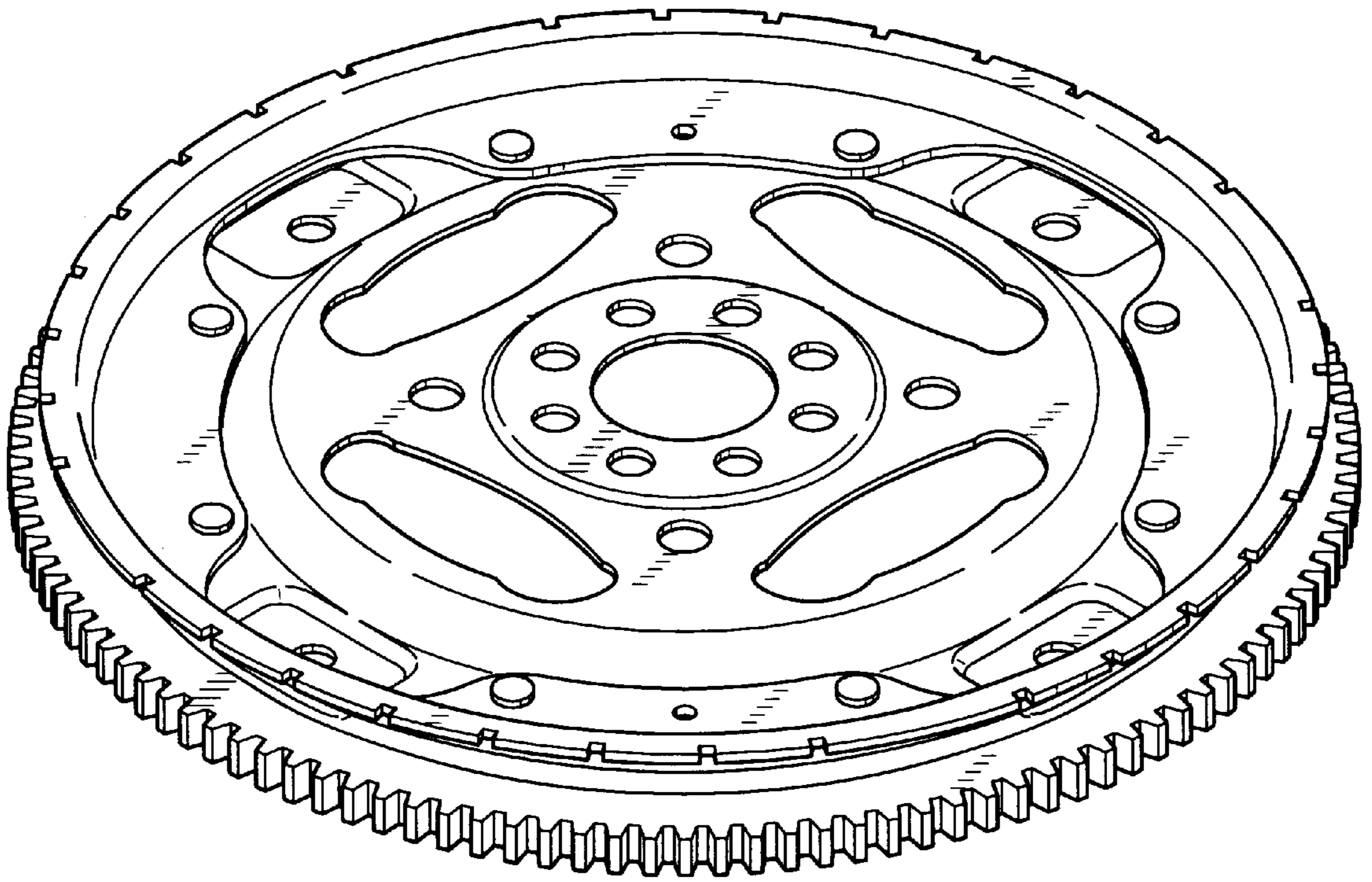


FIG. 2

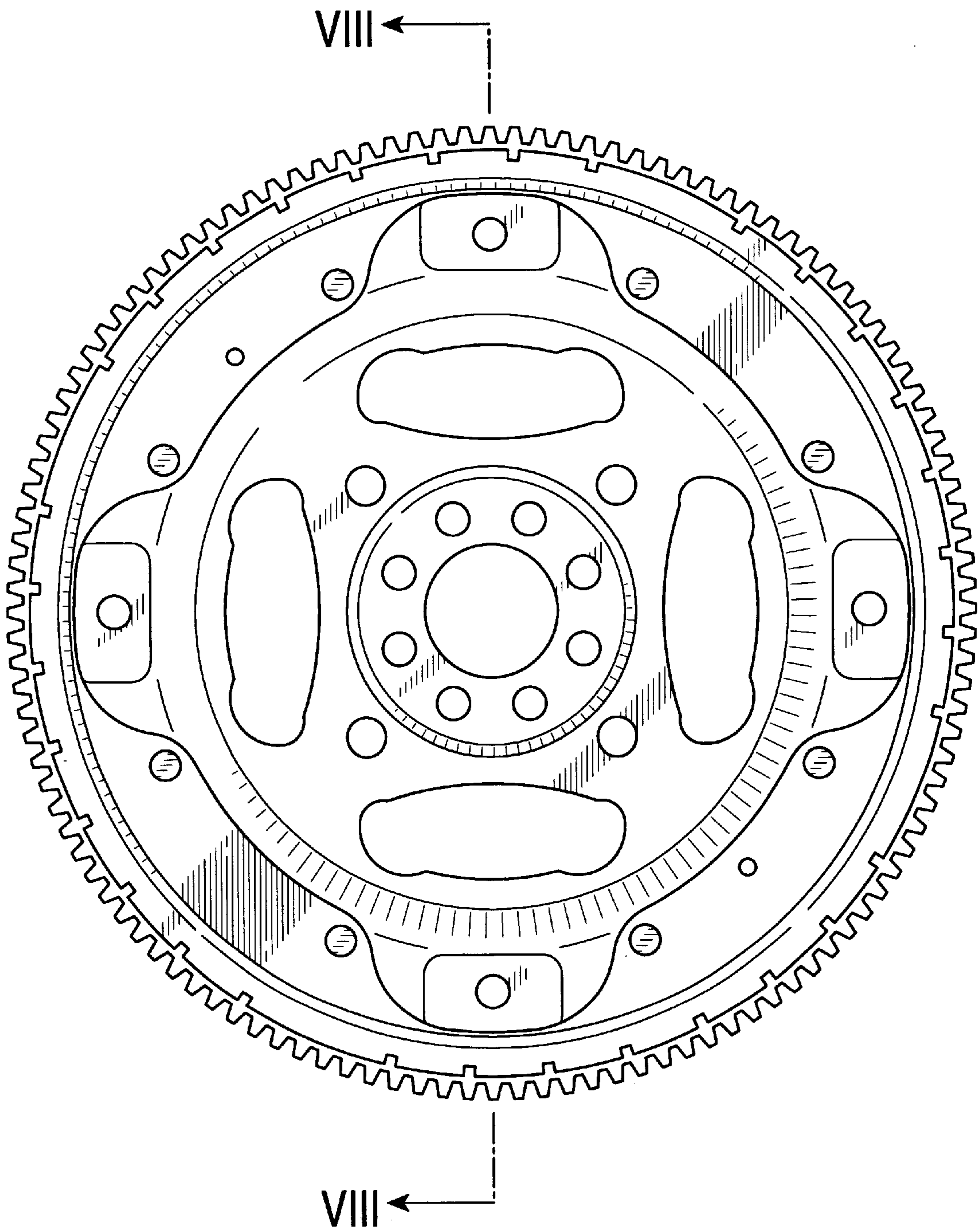


FIG. 3

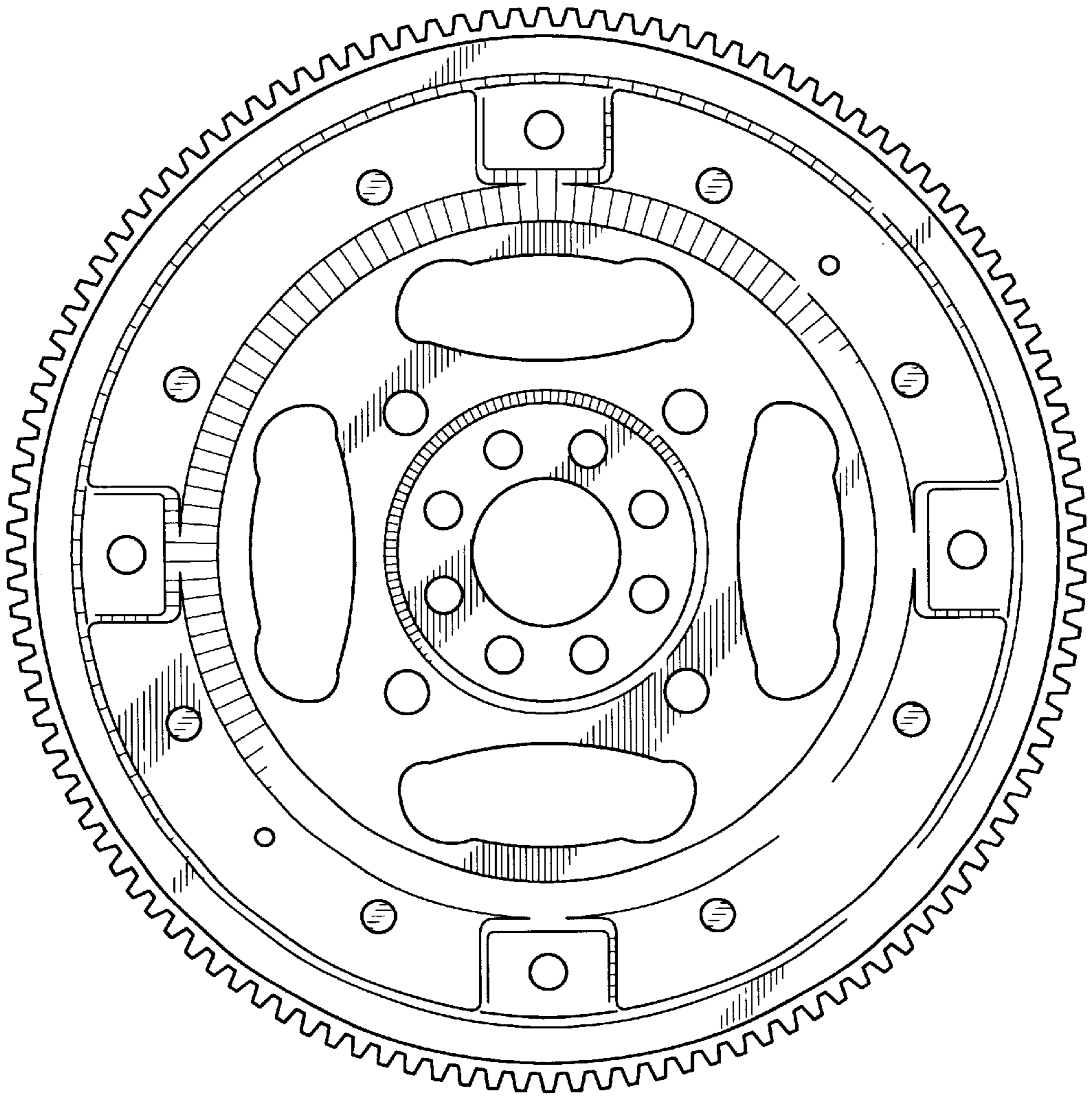


FIG. 4



FIG. 5

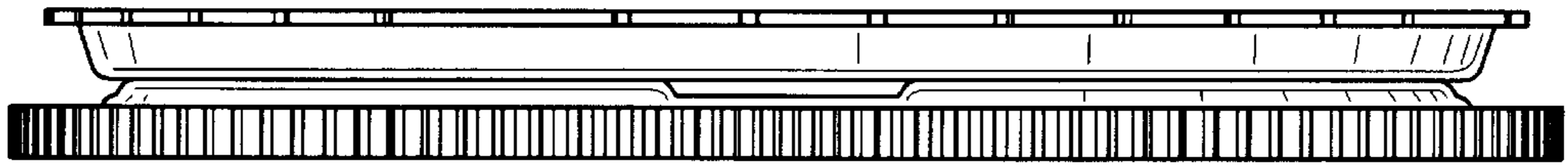


FIG. 6

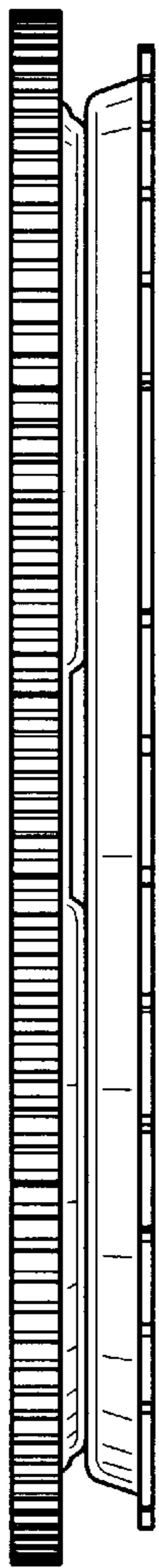


FIG. 7

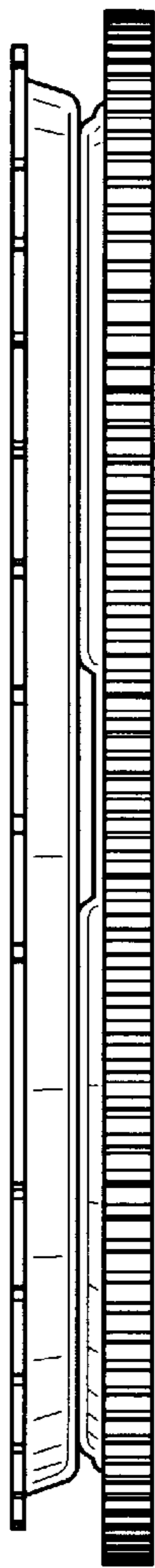


FIG. 8

