



US00D443874S

(12) **United States Design Patent**  
**Asaga et al.**

(10) **Patent No.:** **US D443,874 S**  
(45) **Date of Patent:** **\*\* Jun. 19, 2001**

(54) **DRIVE UNIT FOR AN OPTICAL DISC  
PLAYER**

(75) Inventors: **Yasuhiro Asaga; Hiroshi Ogino**, both  
of Tokyo (JP)

(73) Assignee: **Sony Corporation (JP)**

(\*\*) Term: **14 Years**

(21) Appl. No.: **29/089,646**

(22) Filed: **Jun. 18, 1998**

(51) **LOC (7) Cl.** ..... **14-99**

(52) **U.S. Cl.** ..... **D14/260**

(58) **Field of Search** ..... D14/156, 217,  
D14/260, 299, 239; 360/104, 114; 369/13,  
37, 39, 41, 105

(56) **References Cited**

**U.S. PATENT DOCUMENTS**

D. 389,150	*	1/1998	Tanaka	.....	D14/217
5,485,434	*	1/1996	Chaya	.....	369/13
5,631,788	*	5/1997	Richards	.....	360/104

**OTHER PUBLICATIONS**

Sony Catalog, Optical Device, 9209-02SMC, Sep. 1992.

\* cited by examiner

*Primary Examiner*—Nanda Bondade

(74) *Attorney, Agent, or Firm*—Rader, Fishman & Grauer

(57) **CLAIM**

The ornamental design for a drive unit for an optical disc  
player, as shown and described.

**DESCRIPTION**

FIG. 1 is a perspective view of a drive unit for an optical disc  
player showing our new design;  
FIG. 2 is a reduced top plan view thereof;  
FIG. 3 is a left side elevational view thereof;  
FIG. 4 is a front elevational view thereof;  
FIG. 5 is a bottom plan view thereof;  
FIG. 6 is a right side elevational view thereof; and,  
FIG. 7 is a rear elevational view thereof.

**1 Claim, 3 Drawing Sheets**

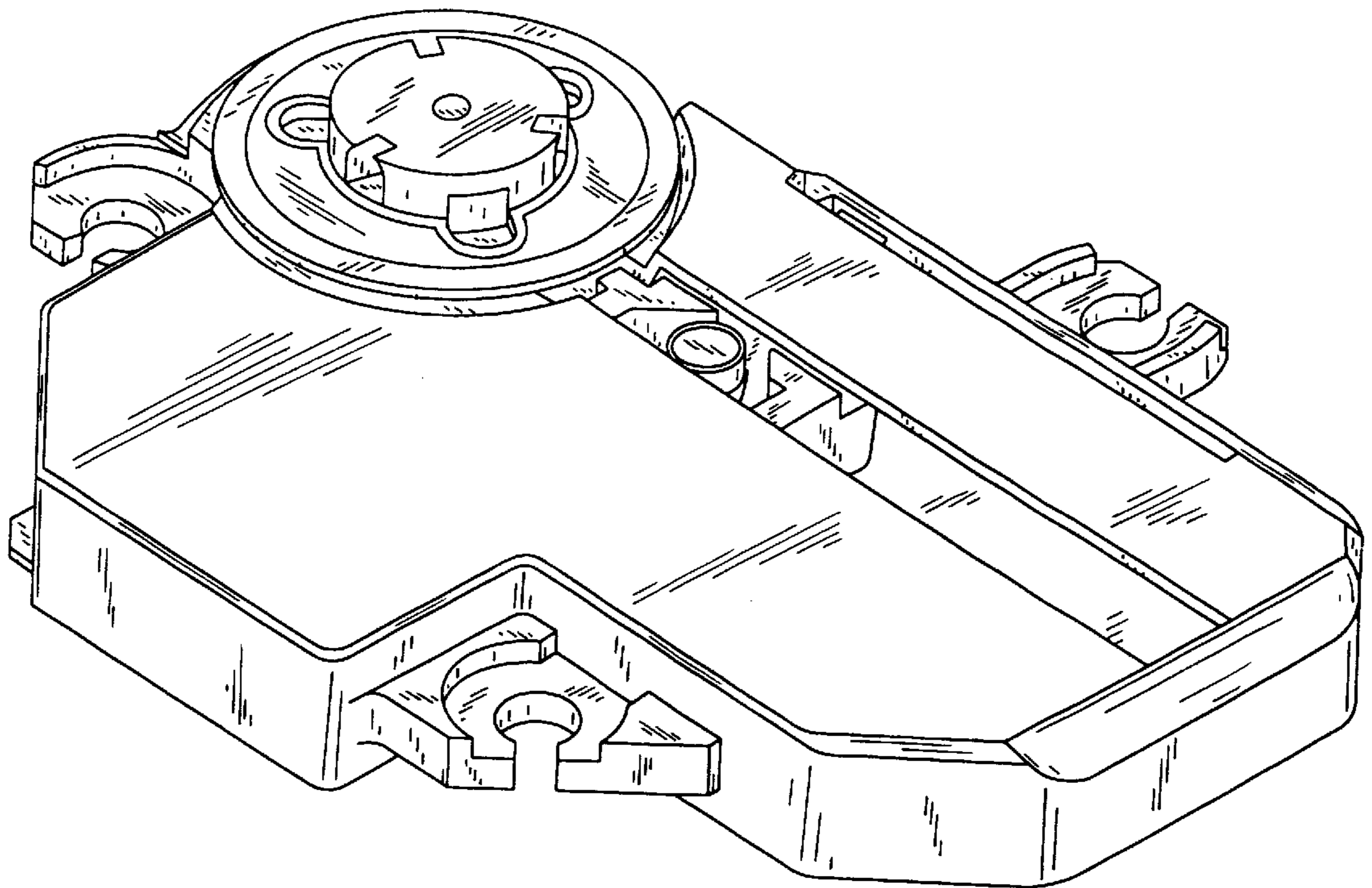


FIG. 1

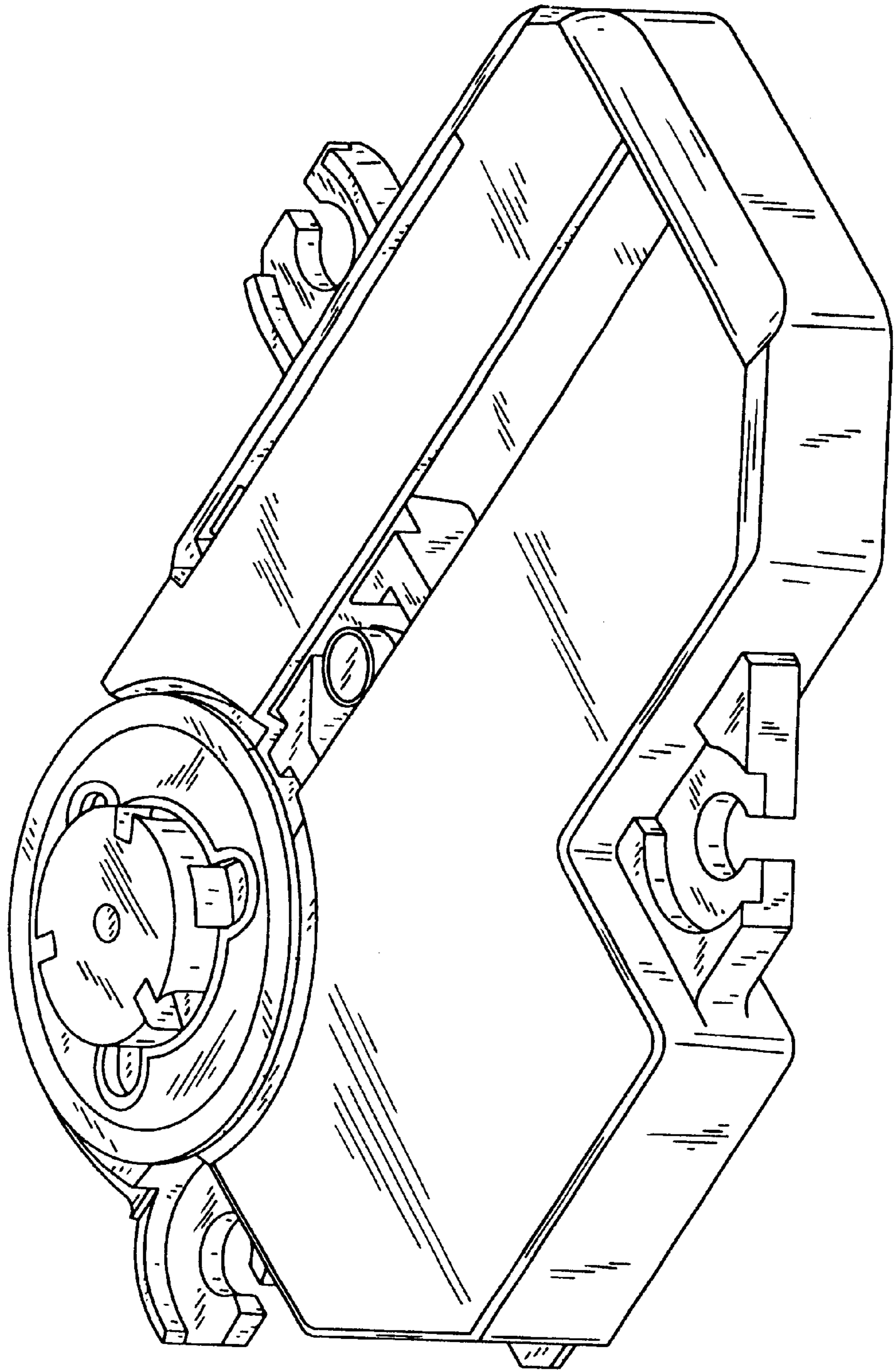


FIG. 2

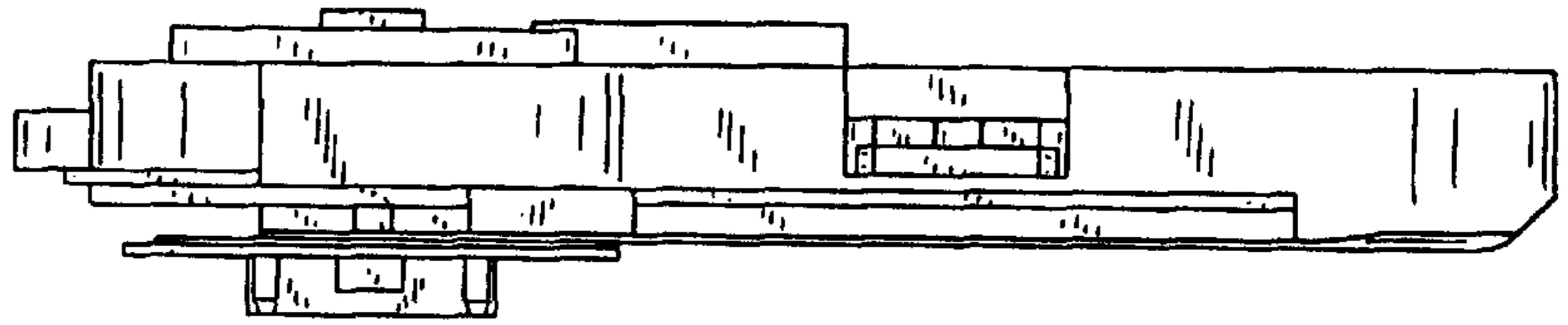


FIG. 3

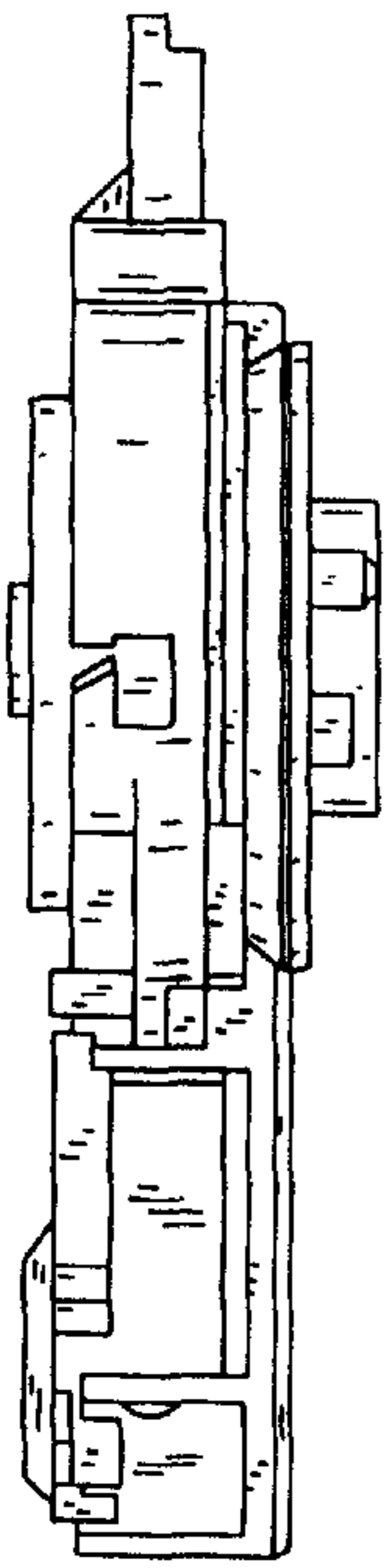


FIG. 4

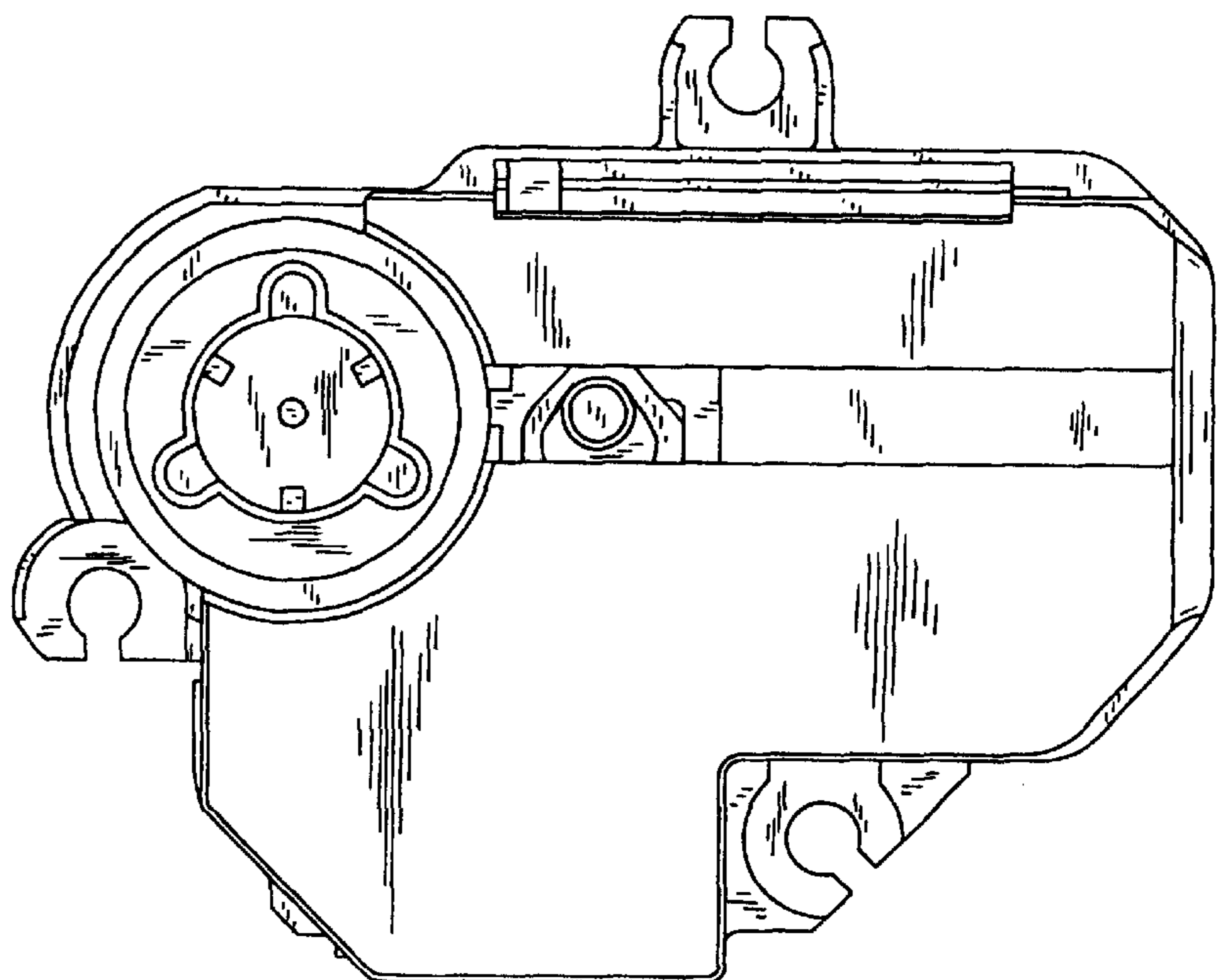


FIG. 6

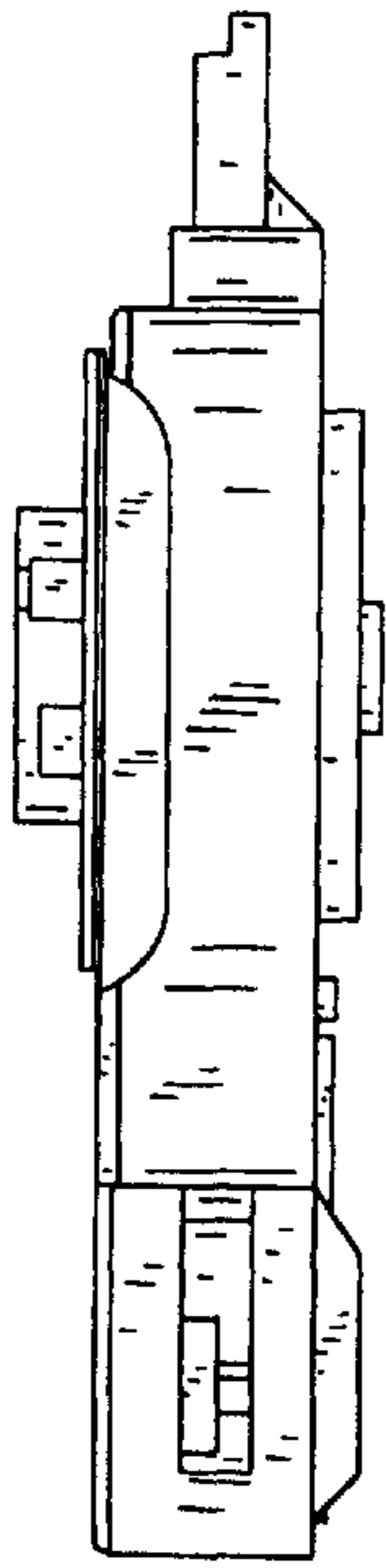


FIG. 7

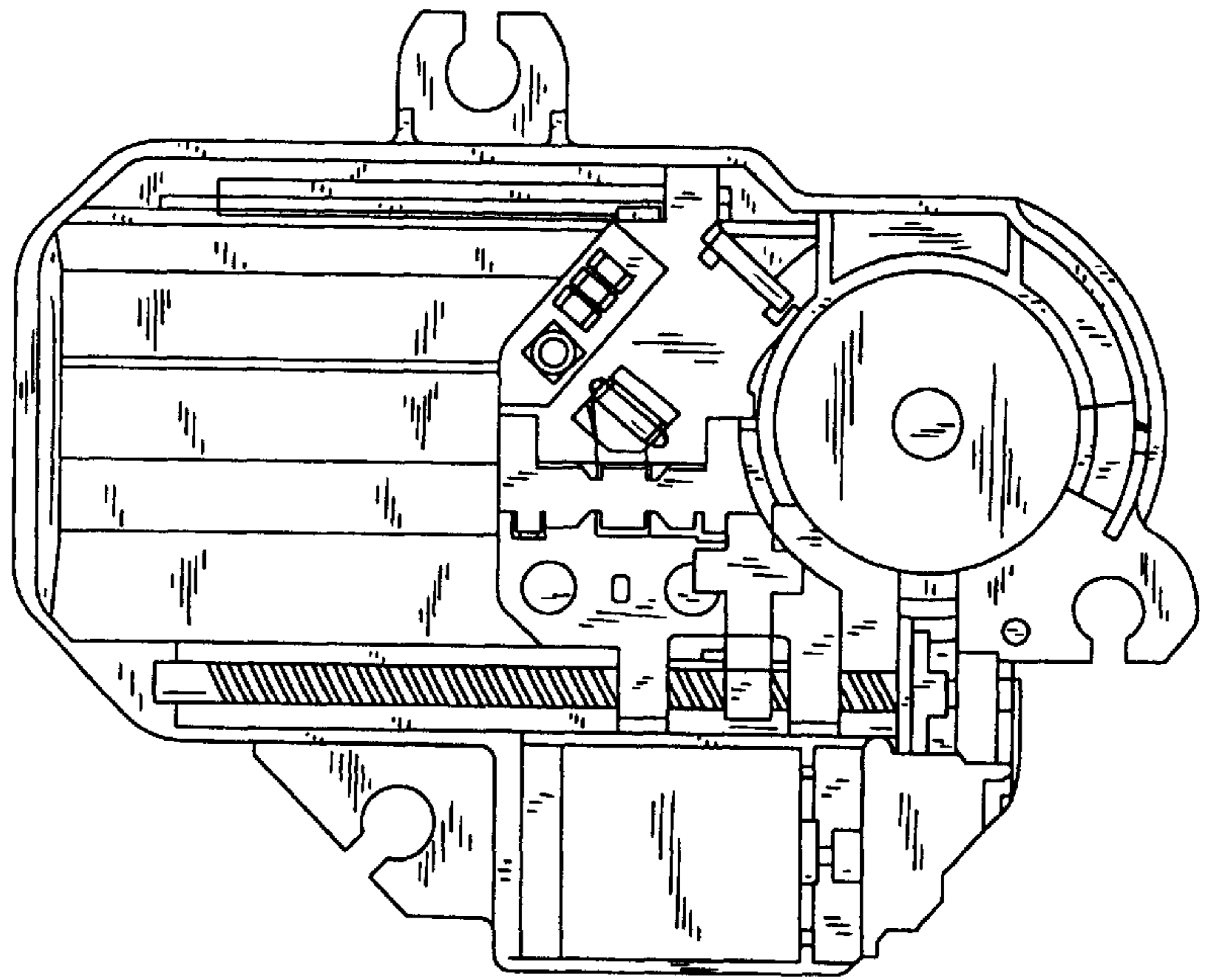


FIG. 5

