



US00D443872S

(12) **United States Design Patent**  
**Mori**

(10) **Patent No.:** **US D443,872 S**

(45) **Date of Patent:** **\*\* Jun. 19, 2001**

(54) **HEADPHONE**

(75) Inventor: **Akinari Mori**, Tokyo (JP)

(73) Assignee: **Sony Corporation**, Tokyo (JP)

(\*\*) Term: **14 Years**

(21) Appl. No.: **29/127,863**

(22) Filed: **Aug. 15, 2000**

(51) **LOC (7) Cl.** ..... **14-01**

(52) **U.S. Cl.** ..... **D14/223**

(58) **Field of Search** ..... D14/205, 206,  
D14/223, 249; 181/129, 130; 381/376-379,  
381, 383

(56) **References Cited**

**U.S. PATENT DOCUMENTS**

|            |   |         |                 |       |           |
|------------|---|---------|-----------------|-------|-----------|
| D. 135,674 | * | 5/1943  | Williams et al. | ..... | D14/205   |
| D. 299,129 | * | 12/1988 | Wiegel          | ..... | D14/223   |
| D. 376,598 |   | 12/1996 | Hayashi         | ..... | D14/206   |
| D. 379,817 | * | 6/1997  | Lin             | ..... | D14/223   |
| D. 391,575 | * | 3/1998  | Bergin et al.   | ..... | D14/223   |
| D. 409,197 | * | 5/1999  | Nakamura        | ..... | D14/205   |
| D. 423,012 |   | 4/2000  | Yasutomi        | ..... | D14/205   |
| 6,006,115  | * | 12/1999 | Wingate         | ..... | D14/205 X |

**OTHER PUBLICATIONS**

Catalog "Sony Headphone/Active Speaker System", 3 sheets, Sony Mar. 1998.

Webpage "Yodobashi Camera Personal Store", 3 sheets, Yodobashi Camera, Jan. 2000.

\* cited by examiner

*Primary Examiner*—Nanda Bondade

(74) *Attorney, Agent, or Firm*—Rader, Fishman & Grauer

(57) **CLAIM**

The ornamental design for a headphone, as shown and described.

**DESCRIPTION**

FIG. 1 is a perspective view of a headphone showing my new design;

FIG. 2 is a top plan view thereof;

FIG. 3 is a bottom plan view thereof;

FIG. 4 is a left side elevational view thereof;

FIG. 5 is a right side elevational view thereof;

FIG. 6 is a front elevational view thereof; and,

FIG. 7 is a rear elevational view thereof.

FIG. 8 is a perspective view of another embodiment of a headphone showing my new design;

FIG. 9 is a top plan view thereof;

FIG. 10 is a bottom plan view thereof;

FIG. 11 is a left side elevational view thereof;

FIG. 12 is a right side elevational view thereof;

FIG. 13 is a front elevational view thereof; and,

FIG. 14 is a rear elevational view thereof.

The broken line showing on FIGS. 1-14 is for illustrative purposes only and forms no part of the claimed design.

**1 Claim, 8 Drawing Sheets**

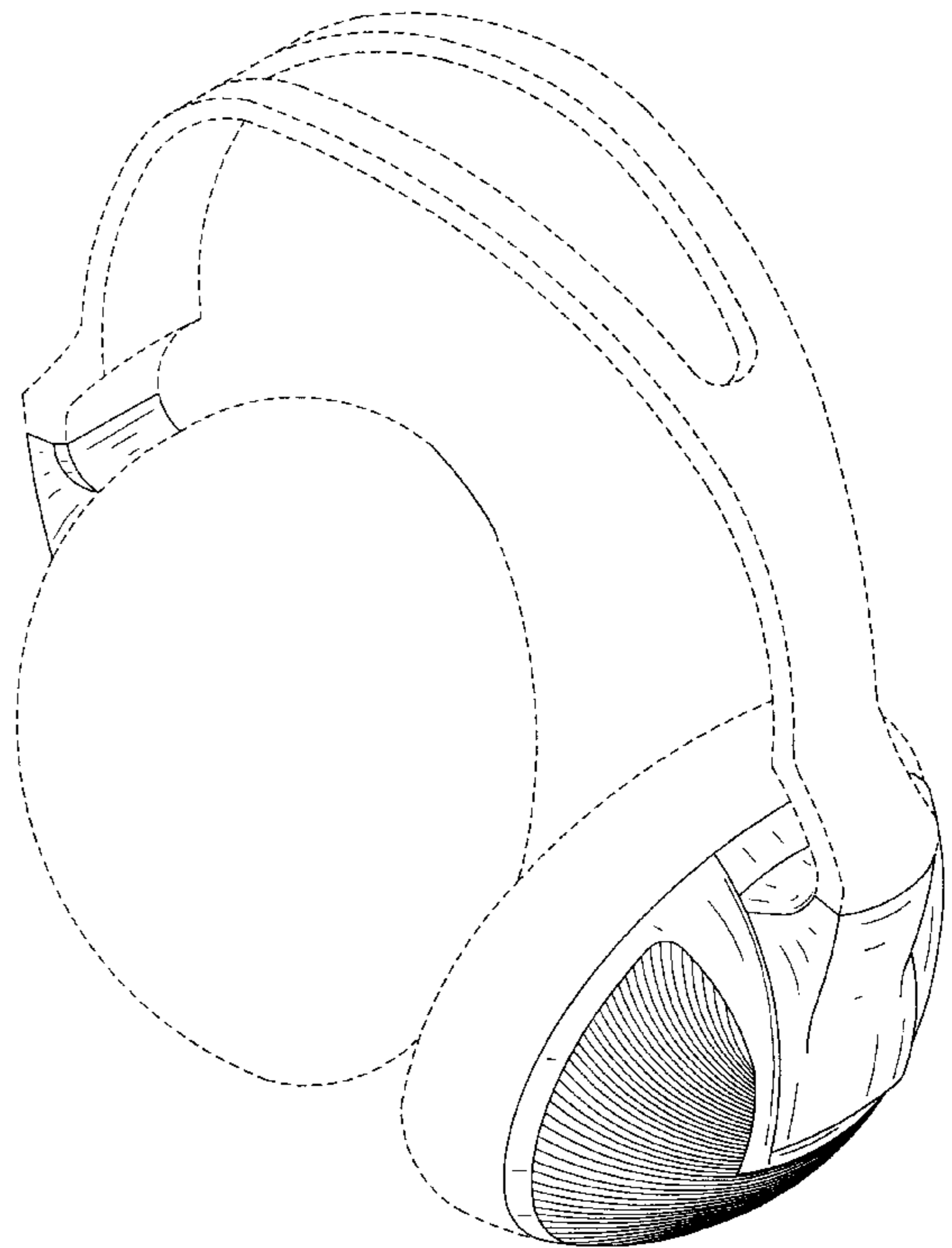
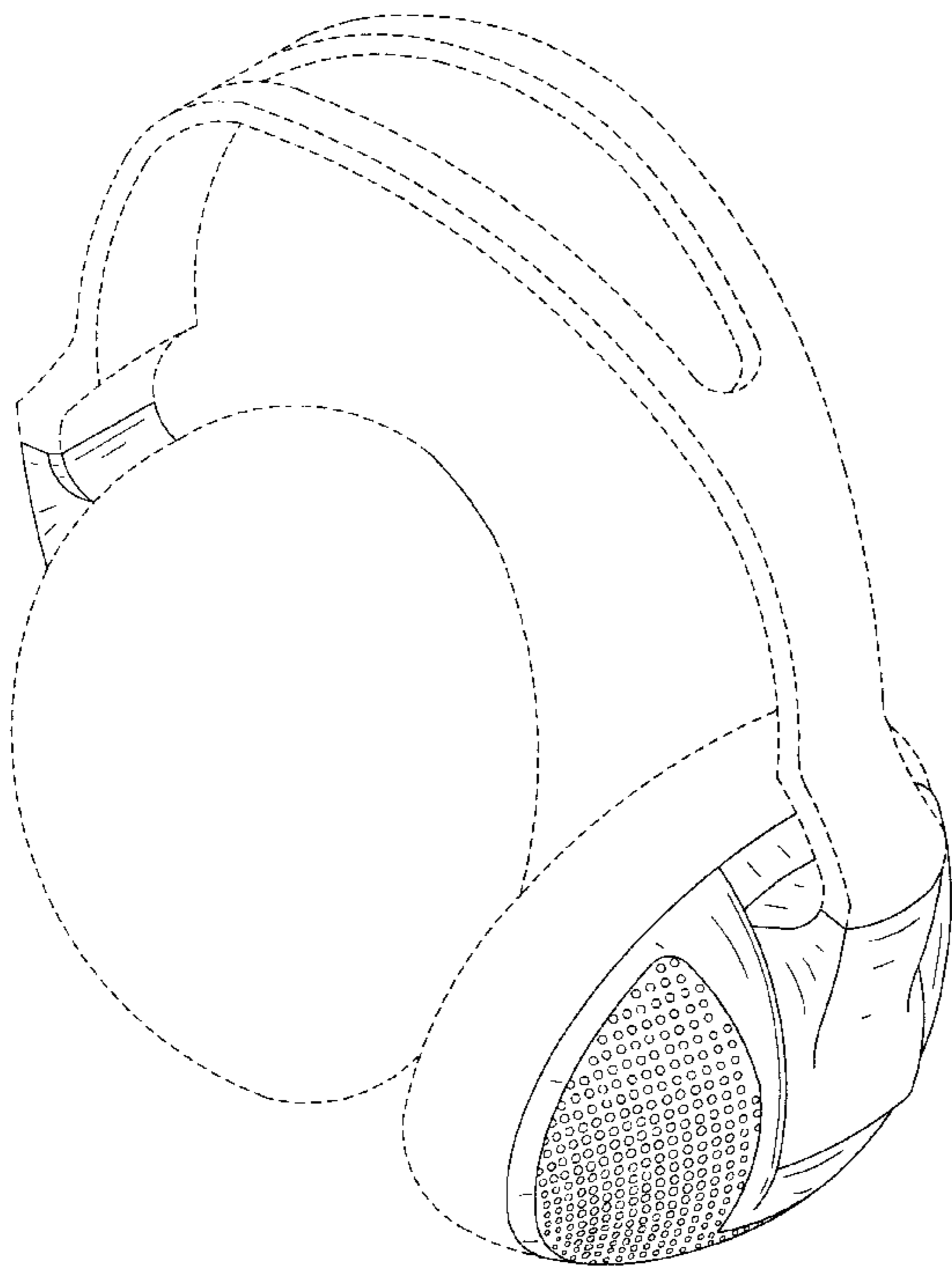


FIG. 1

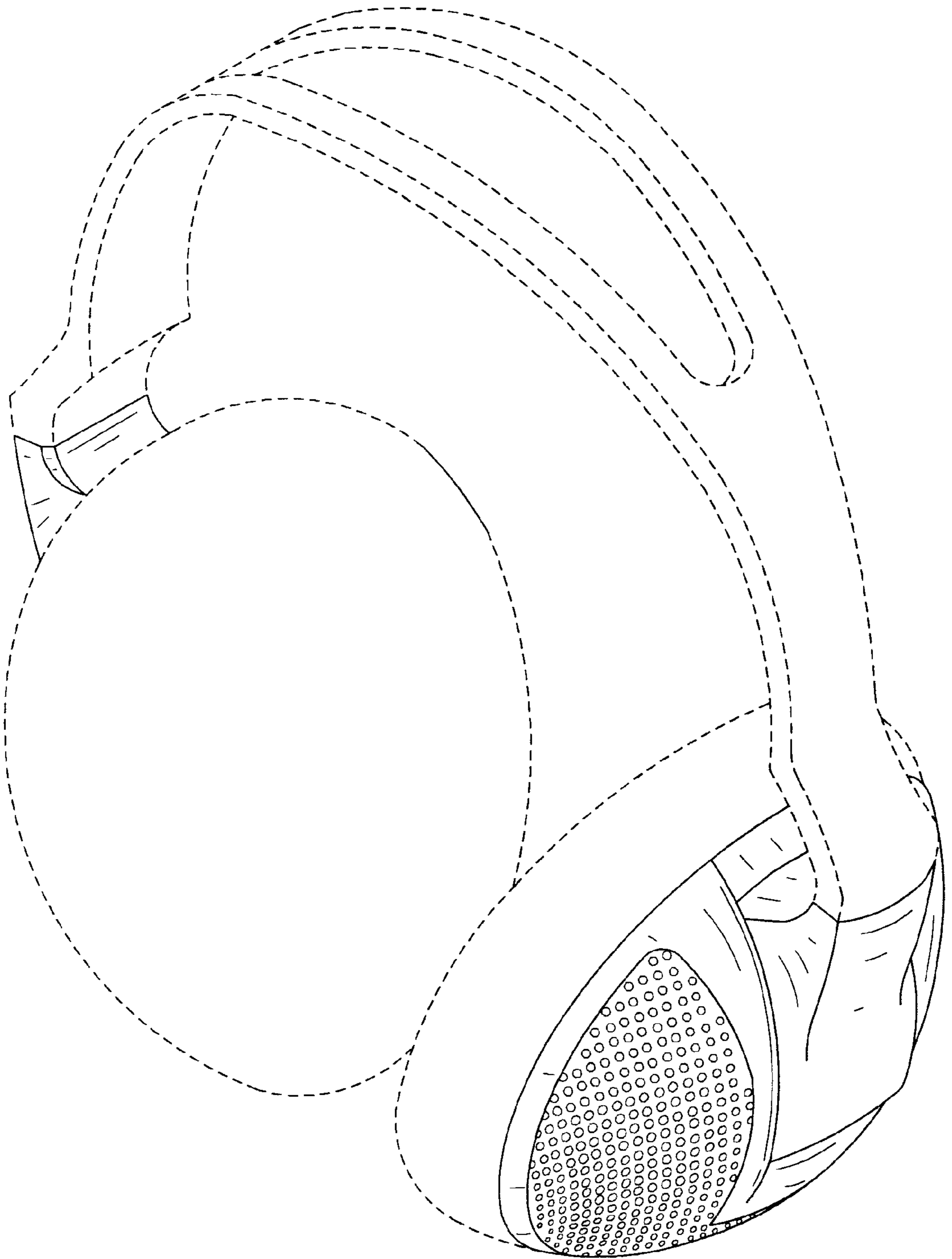


FIG. 3

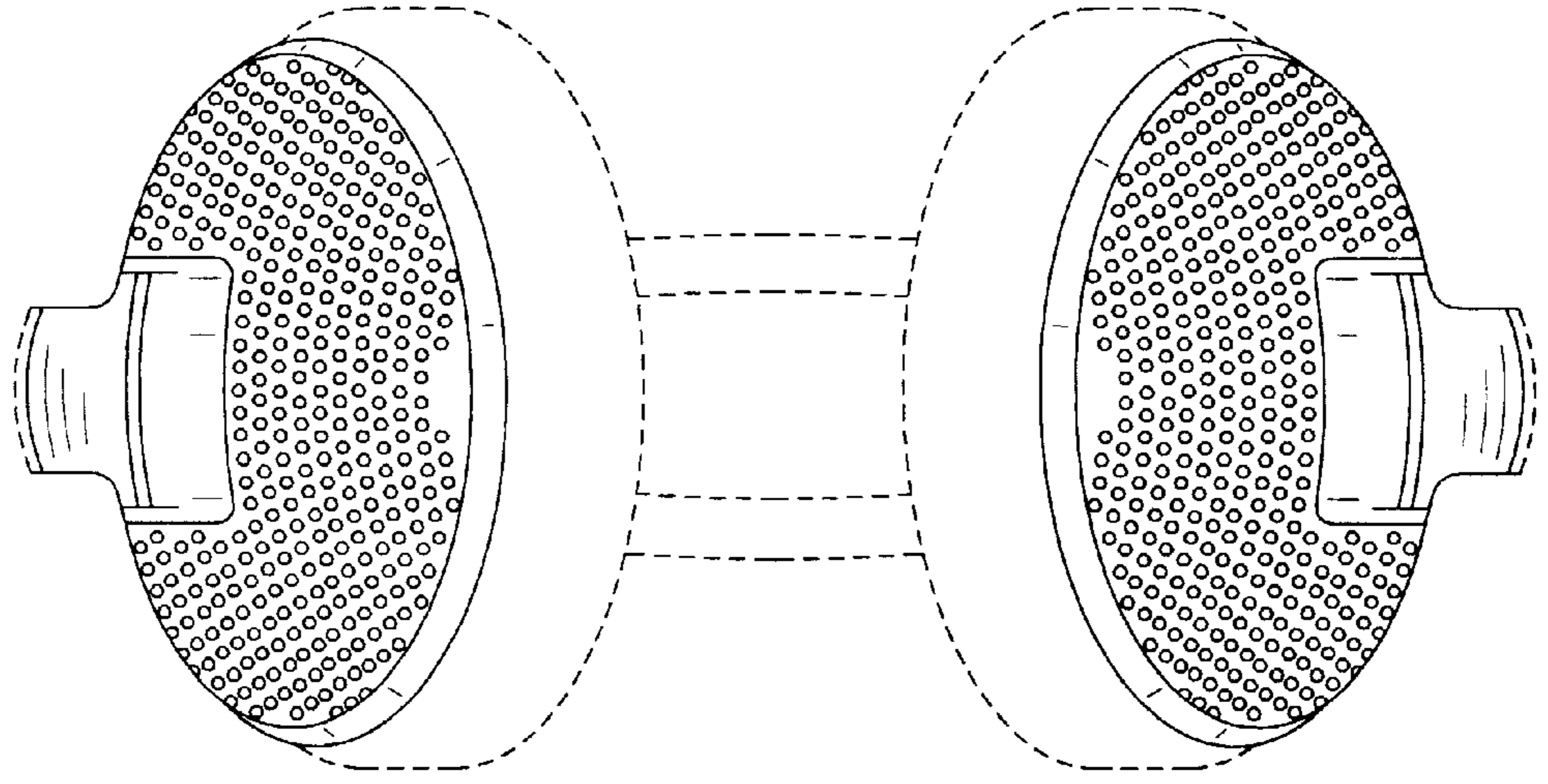


FIG. 2

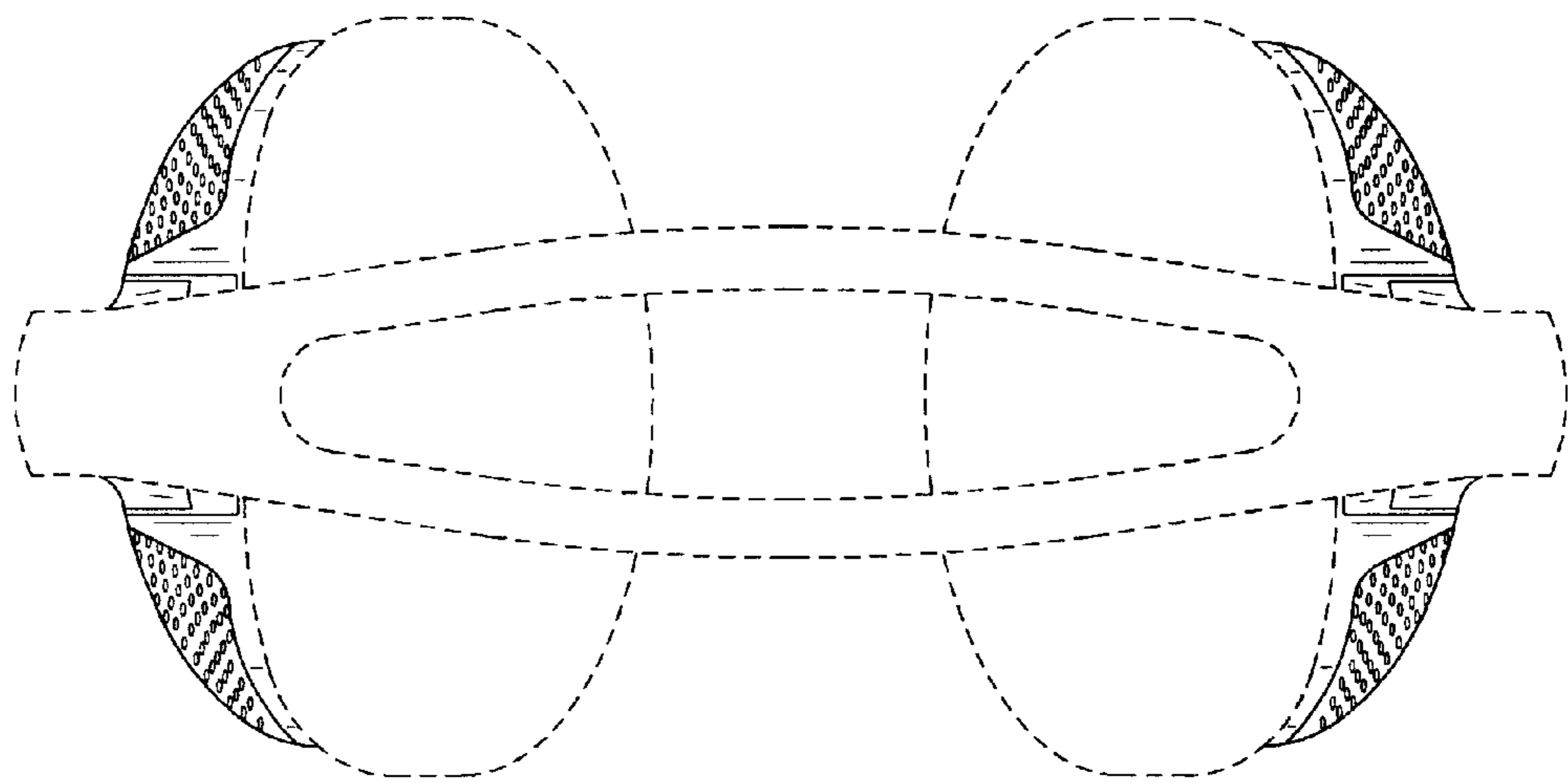


FIG. 5

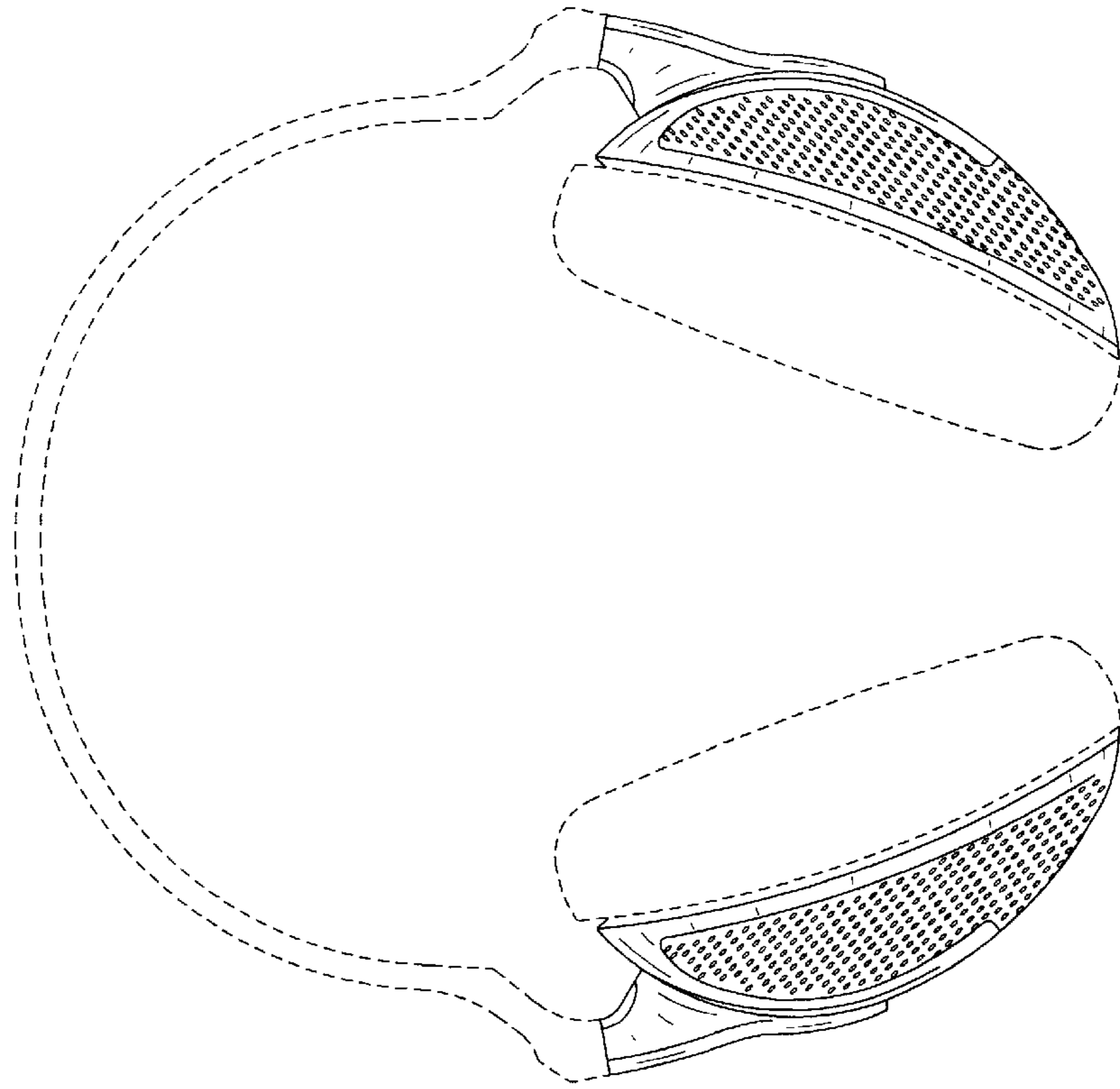


FIG. 4

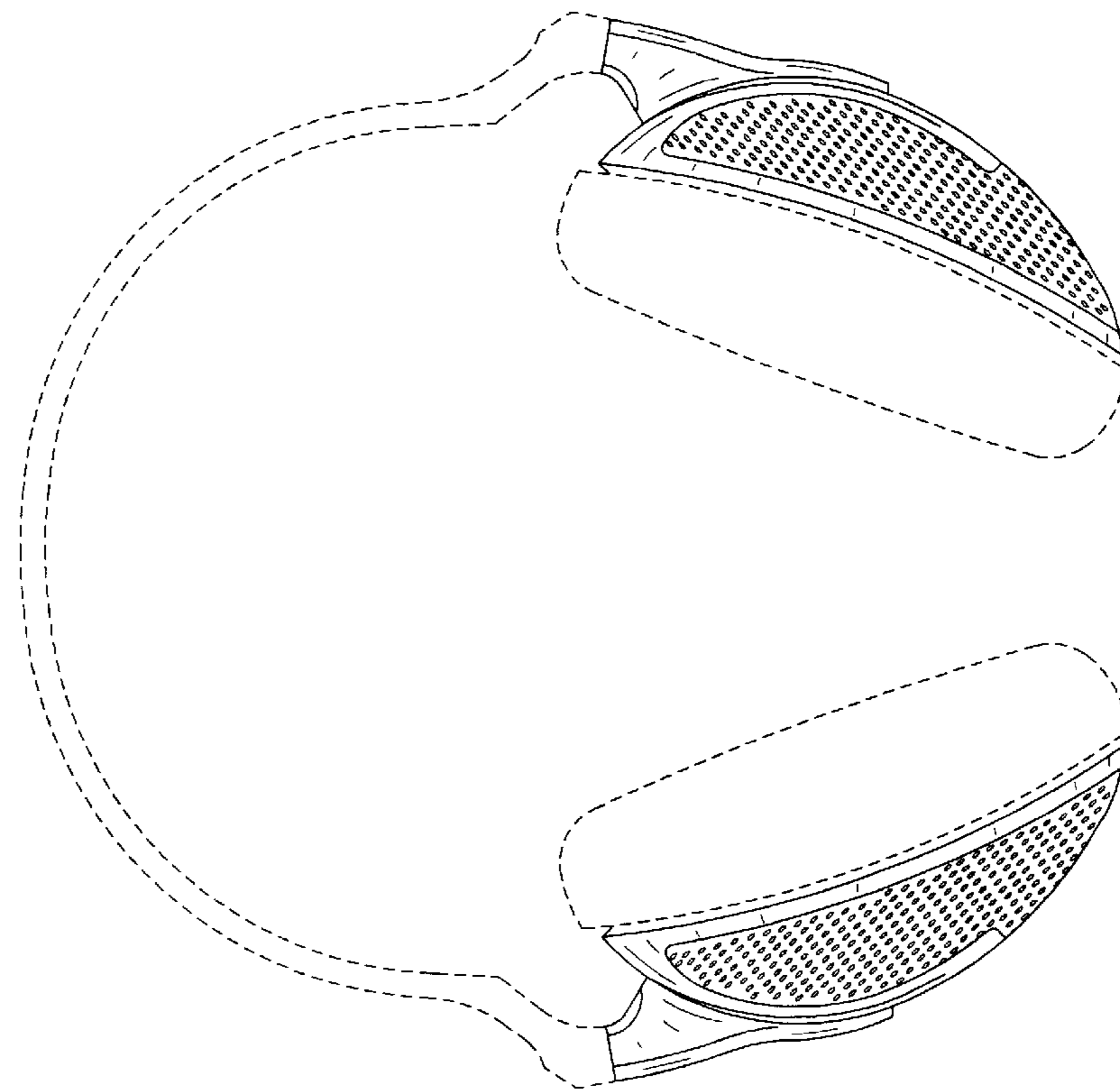


FIG. 7

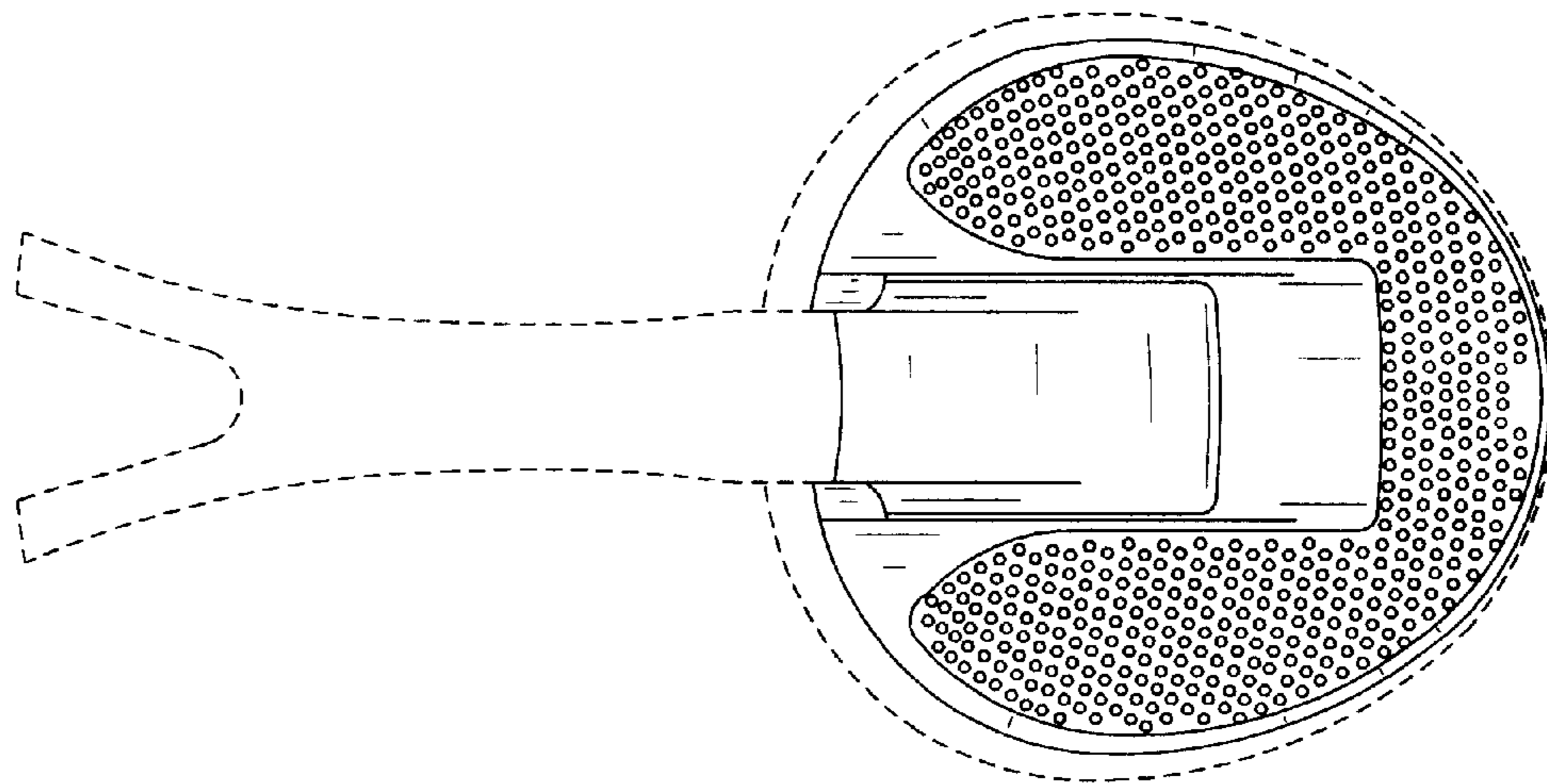


FIG. 6

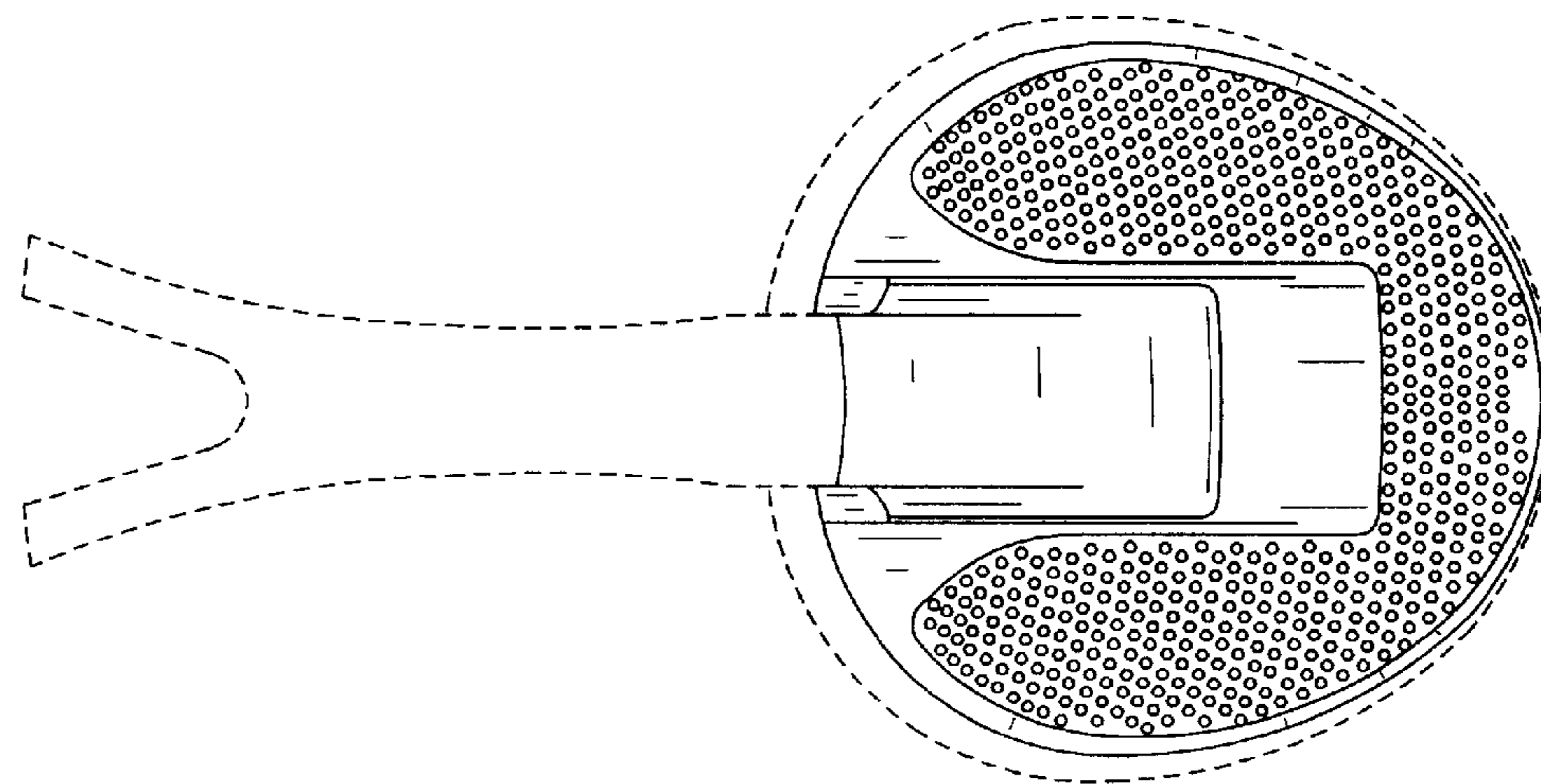


FIG. 8

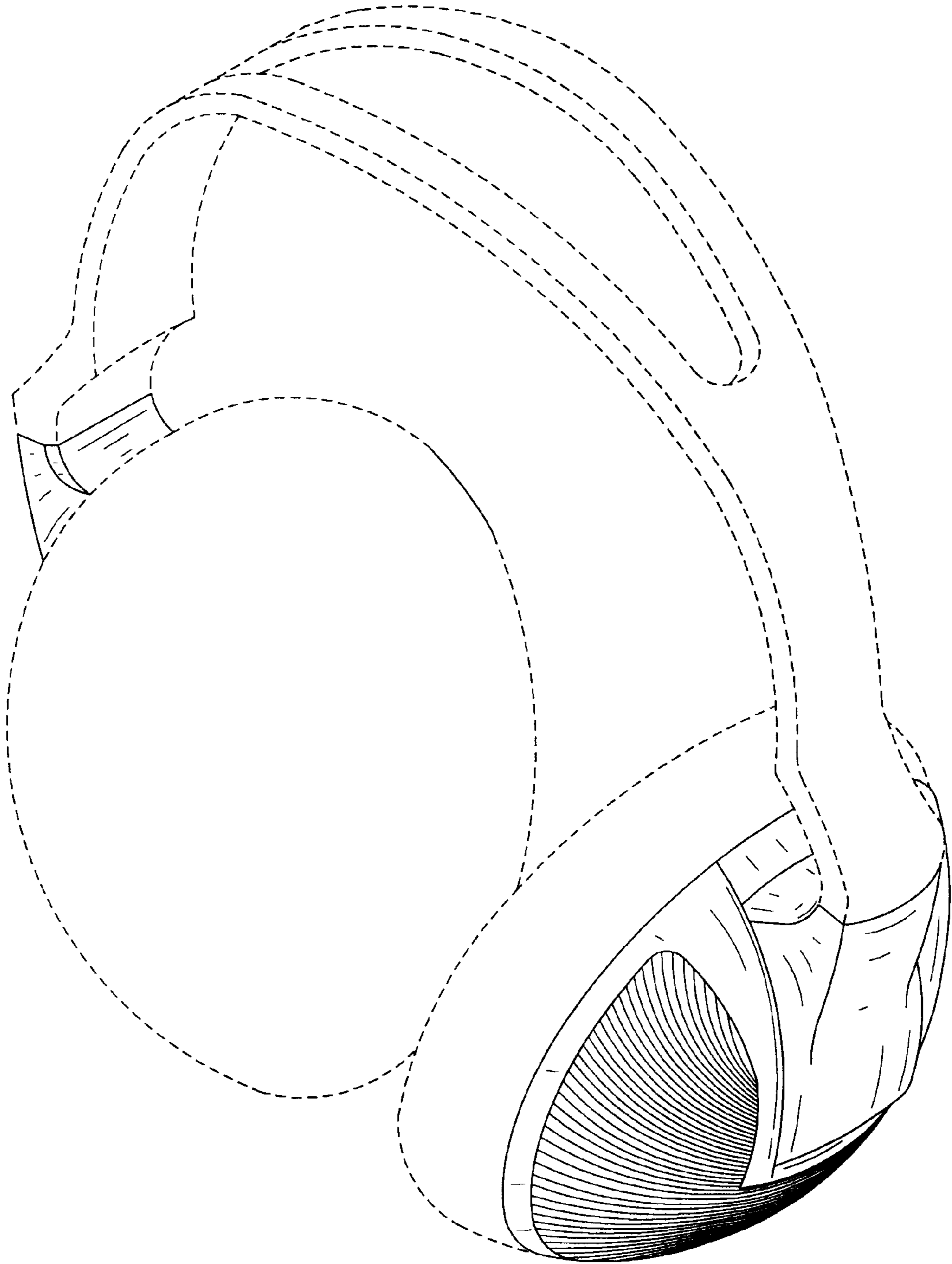


FIG. 10

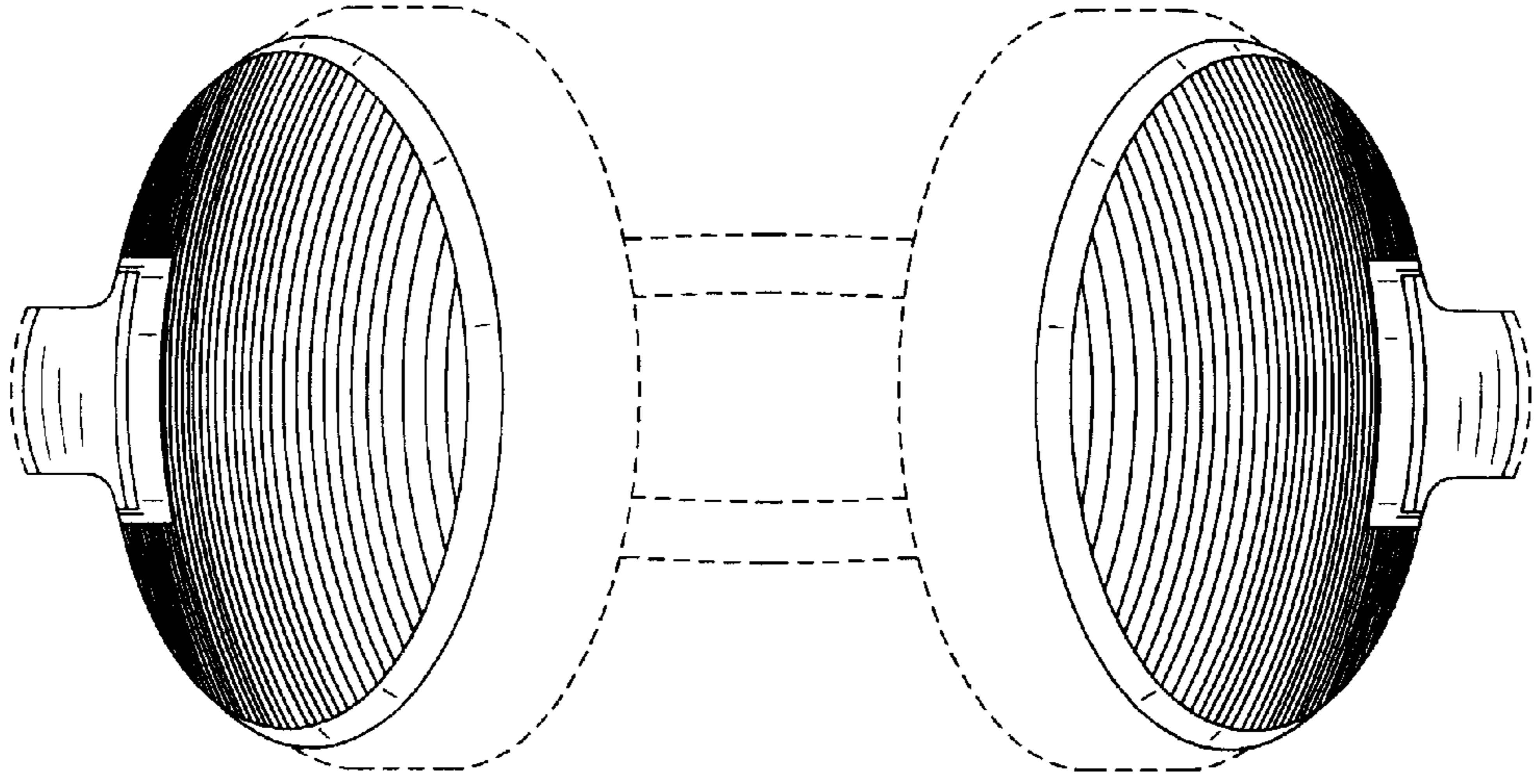


FIG. 9

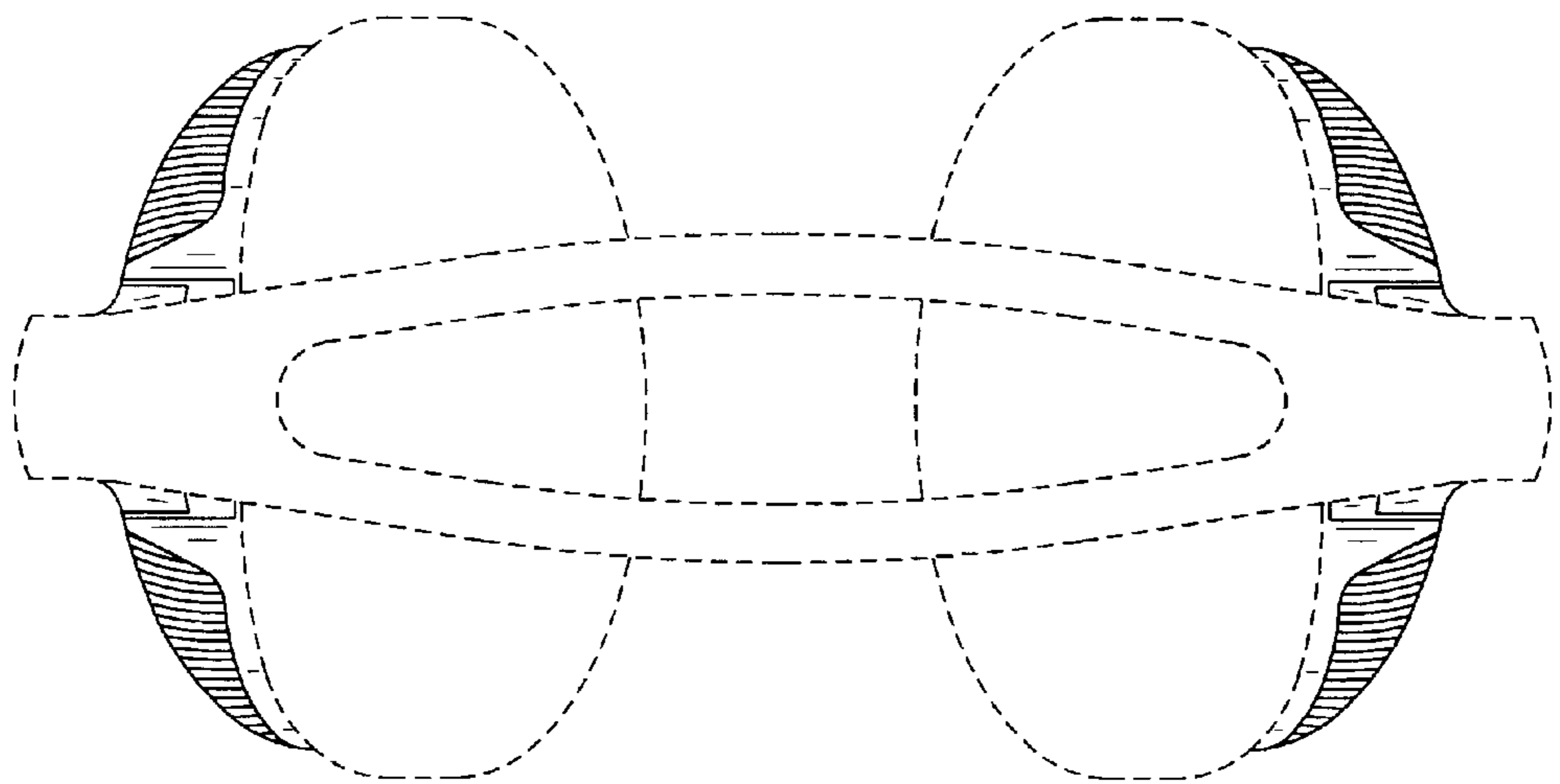


FIG. 12

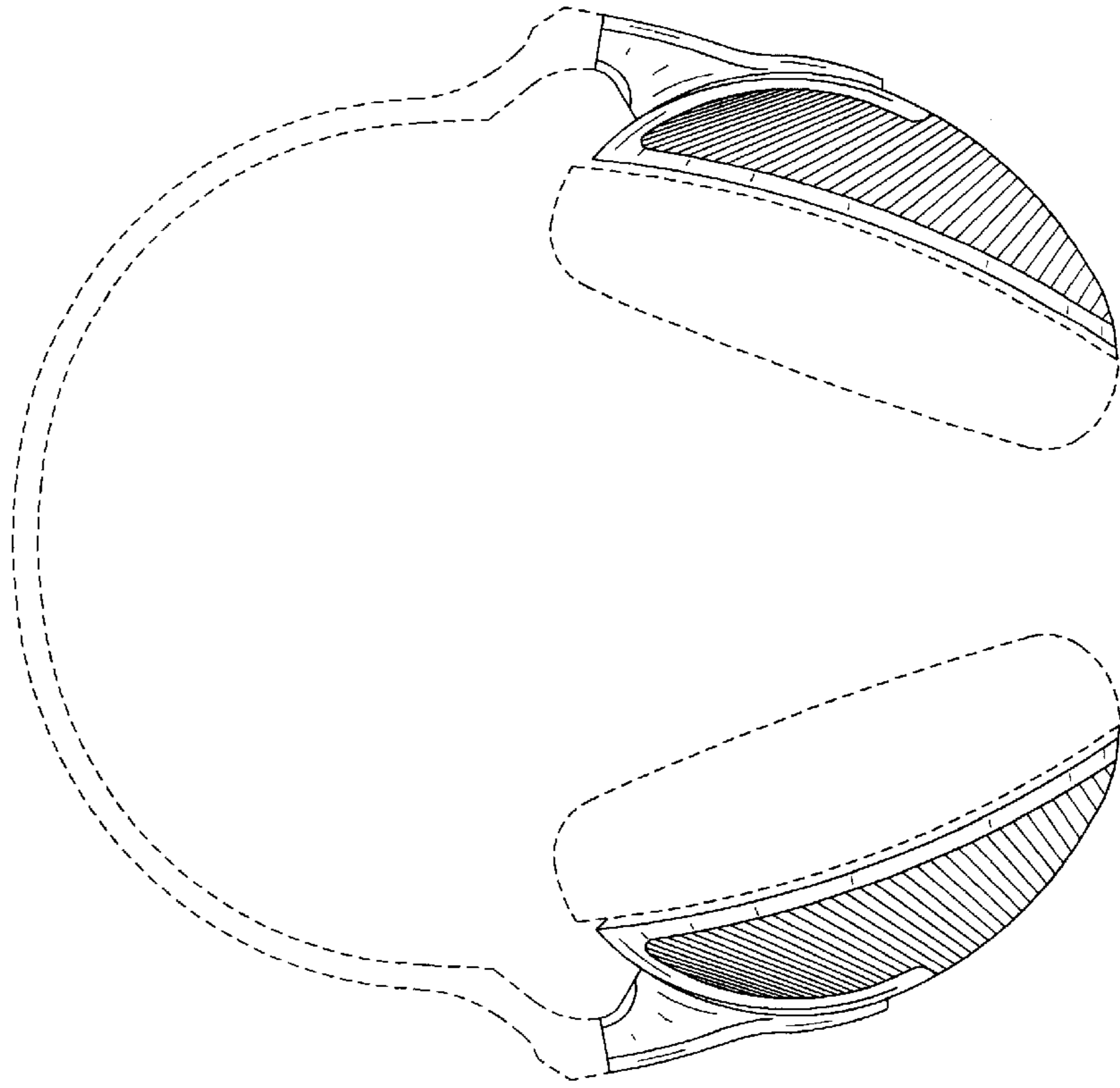


FIG. 11

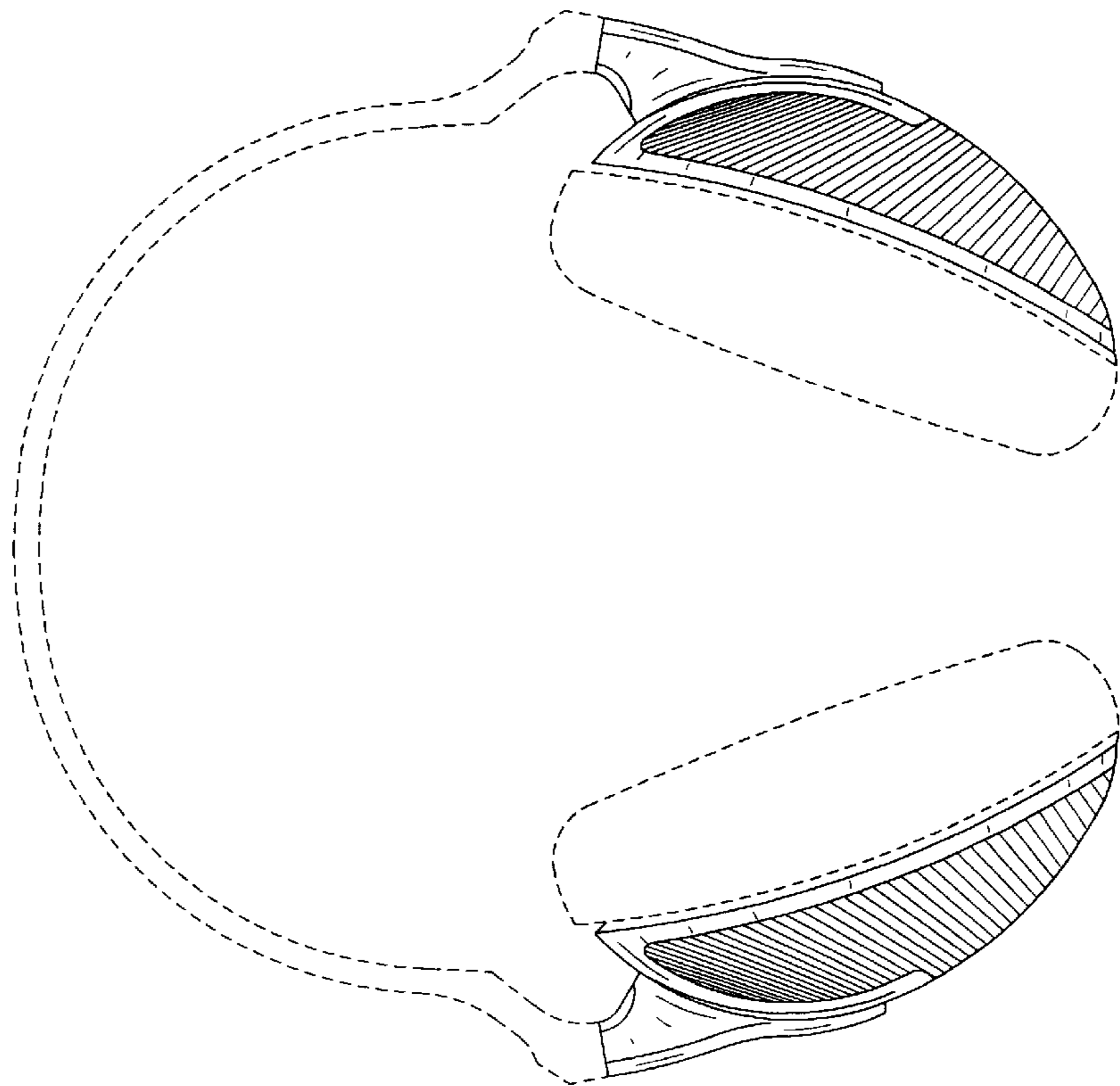




FIG. 14

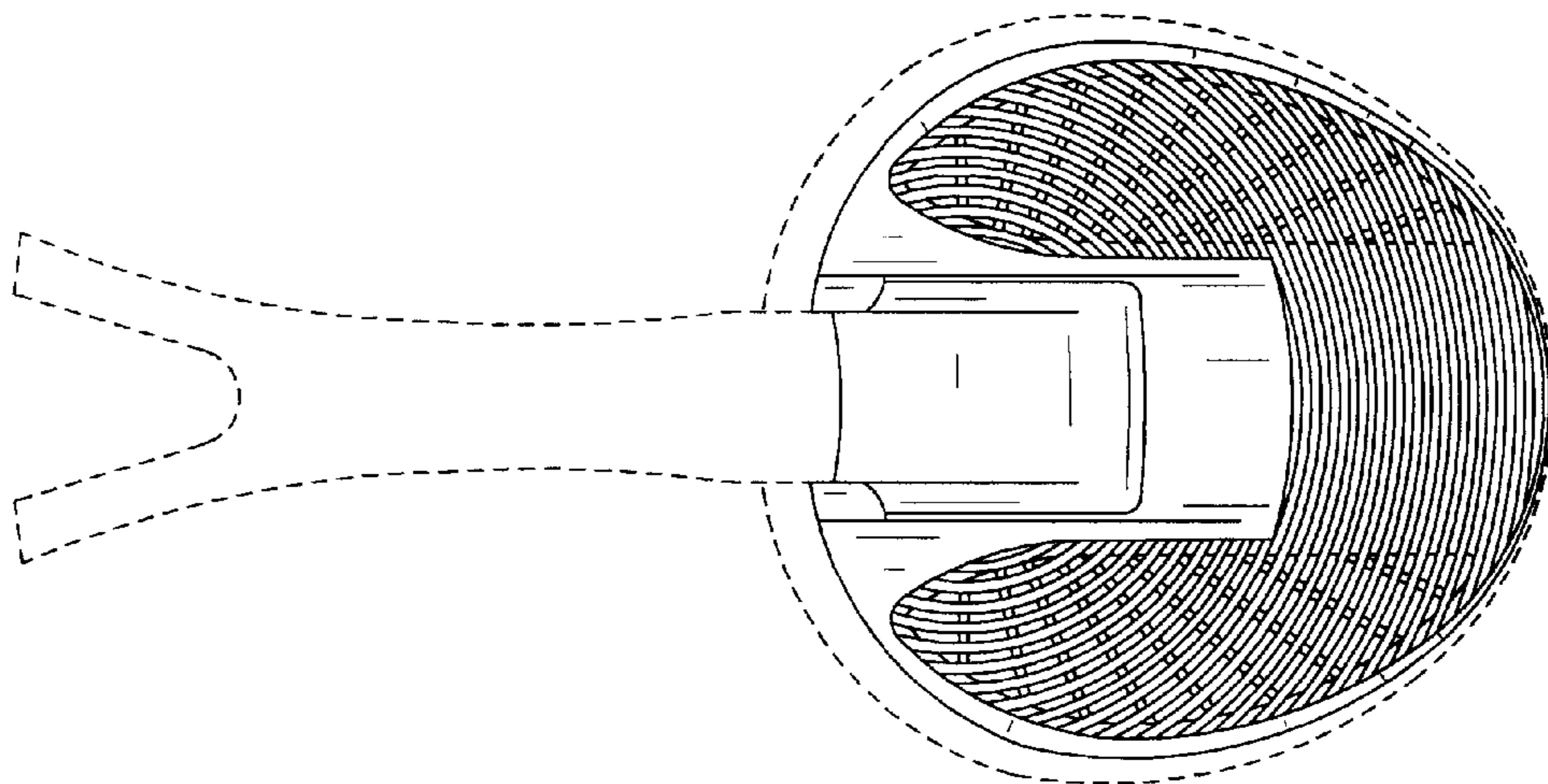


FIG. 13

