



US00D443870S

(12) **United States Design Patent**
Carpenter et al.

(10) **Patent No.: US D443,870 S**

(45) **Date of Patent: ** Jun. 19, 2001**

(54) **HEADSET**

5,210,792	5/1993	Kajihara	379/430
5,469,505	11/1995	Gatley et al.	379/430
5,771,438	6/1998	Palermo et al.	455/41

(75) Inventors: **Michael Carpenter**, Brooklyn Park;
Gregory Wright, Savage; **Lars Runquist**, Inver Grove Heights; **David Copeland**, Minneapolis, all of MN (US)

OTHER PUBLICATIONS

Brochure: "Plantronics 900MHz Hands-Free Cordless Telephone CT-901-HS," http://www.plantronics.com/products/ct_901hs.html, Mar. 4, 1999; pp. 1-4.

(73) Assignee: **Telex Communications, Inc.**,
Minneapolis, MN (US)

* cited by examiner

(**) Term: **14 Years**

Primary Examiner—Nanda Bondade

(21) Appl. No.: **29/112,204**

(74) *Attorney, Agent, or Firm*—Fredrikson & Byron, P.A.

(22) Filed: **Oct. 12, 1999**

(57) **CLAIM**

(51) **LOC (7) Cl.** **14-01**

The ornamental design for a headset, as shown.

(52) **U.S. Cl.** **D14/206**

DESCRIPTION

(58) **Field of Search** D14/137-138,
D14/205, 206, 223, 249, 192; 181/129,
130; 379/430, 431, 433; 381/26, 92, 95,
122, 309, 369-370, 376-377

FIG. 1 is a front, top, right side perspective view of a headset of our invention;

FIG. 2 is a top view thereof;

FIG. 3 is a front view thereof;

FIG. 4 is a left side view thereof;

FIG. 5 is a right side view thereof;

FIG. 6 is a rear view thereof;

FIG. 7 is a bottom view thereof

FIG. 8 is a front, top, right side perspective view of the electronic housing of the headset, show separately for clarity of illustration;

FIG. 9 is a top view thereof;

FIG. 10 is a front view thereof;

FIG. 11 is a left side view thereof;

FIG. 12 is a right side view thereof;

FIG. 13 is a rear view thereof; and,

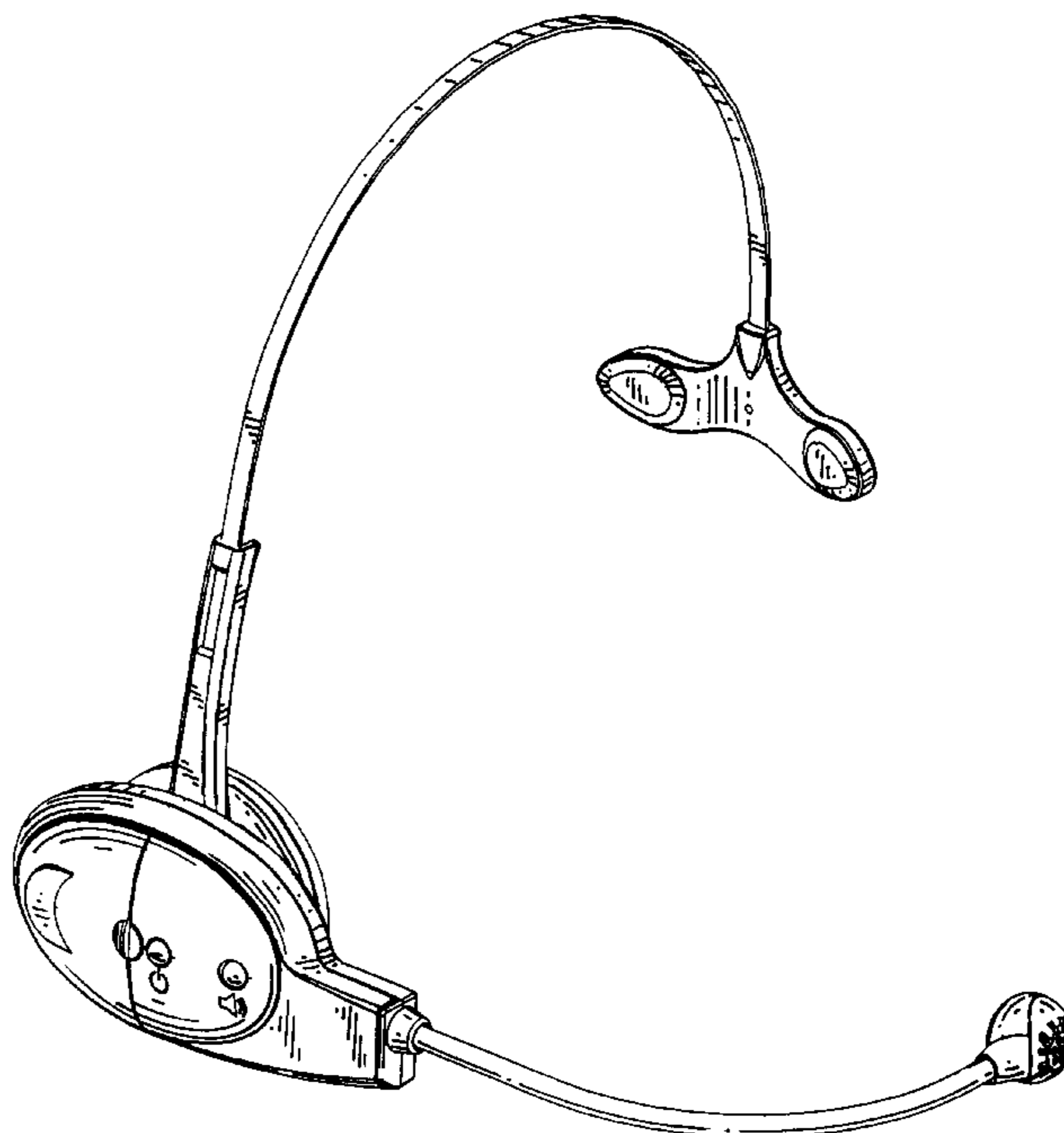
FIG. 14 is a bottom view thereof.

(56) **References Cited**

U.S. PATENT DOCUMENTS

D. 326,654	*	6/1992	Brown	D14/192
D. 327,265		6/1992	Jasey	D14/138
D. 337,116		7/1993	Hattori	D14/206
D. 342,947	*	1/1994	Totsuka	D14/192
D. 344,730		3/1994	Gatley et al.	D14/206
D. 346,802		5/1994	Sacherman et al.	D14/206
D. 364,617	*	11/1995	Fitzgerald	D14/206 X
D. 377,020		12/1996	Bungardt et al.	D14/205
D. 394,437		5/1998	Landreth et al.	D14/206
D. 404,734	*	1/1999	Andrea	D14/206
D. 410,921	*	6/1999	Luchs et al.	D14/206 X
4,420,657	*	12/1983	Larkin	181/129 X

1 Claim, 9 Drawing Sheets



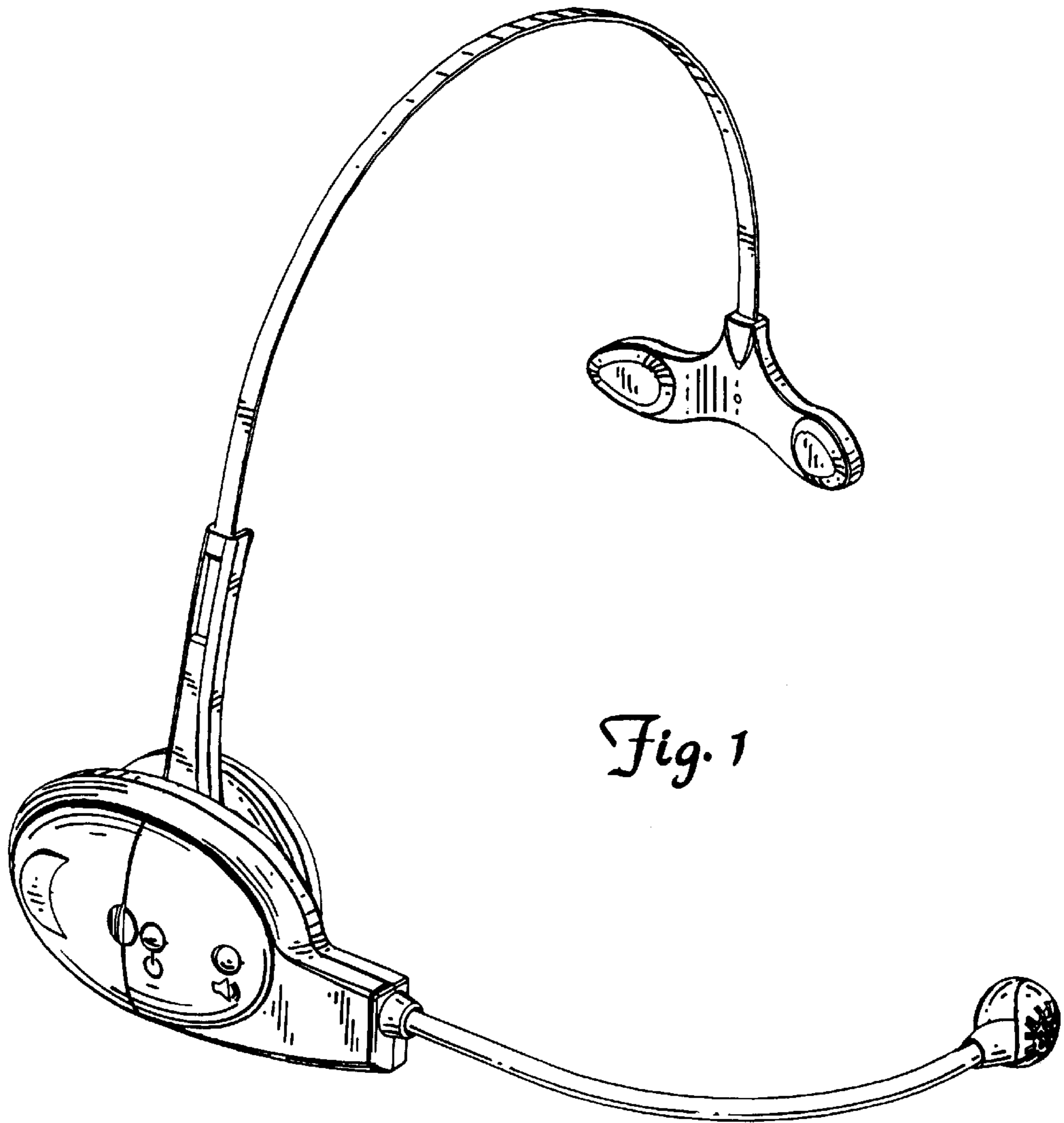


Fig. 1

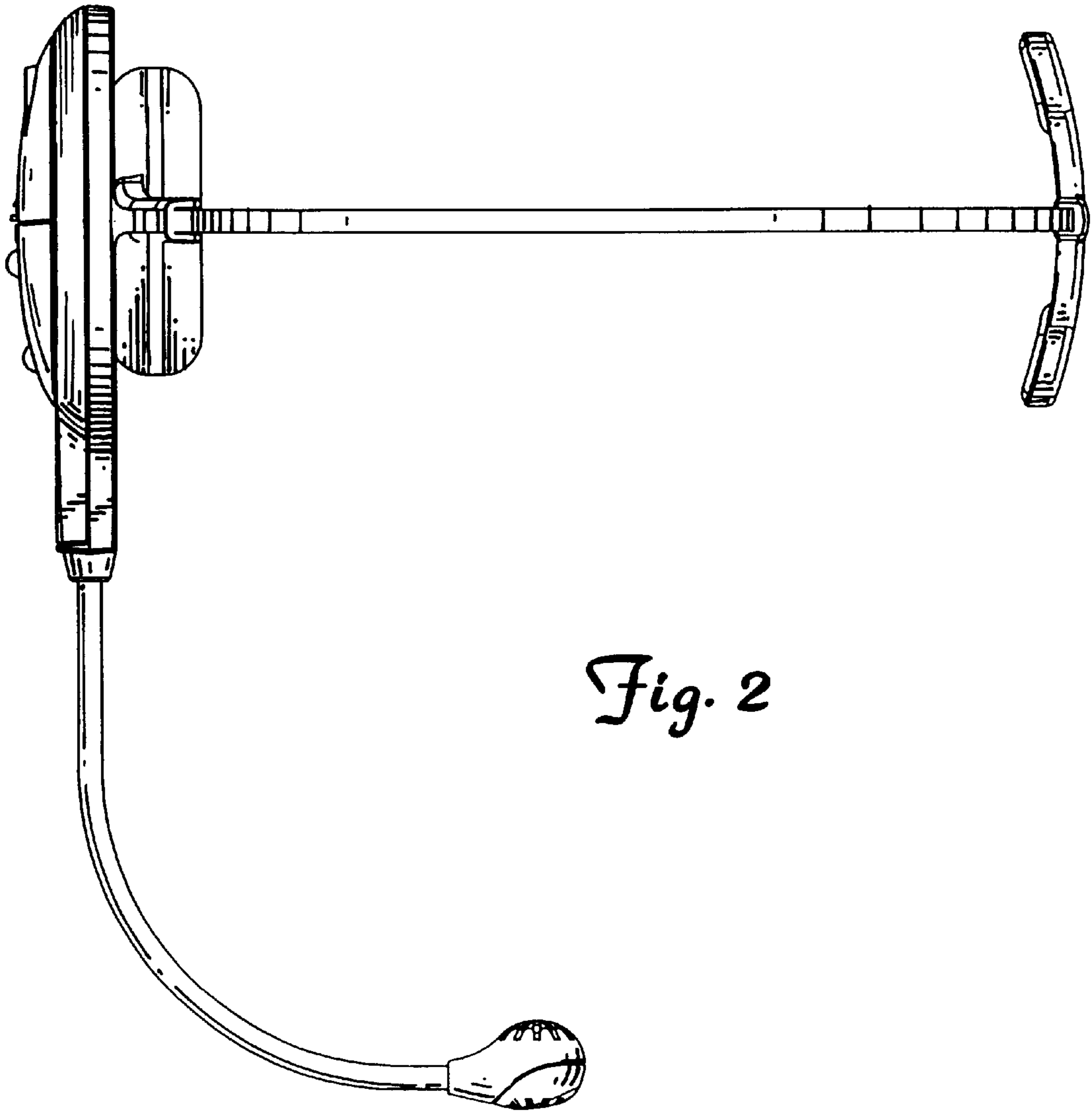


Fig. 2

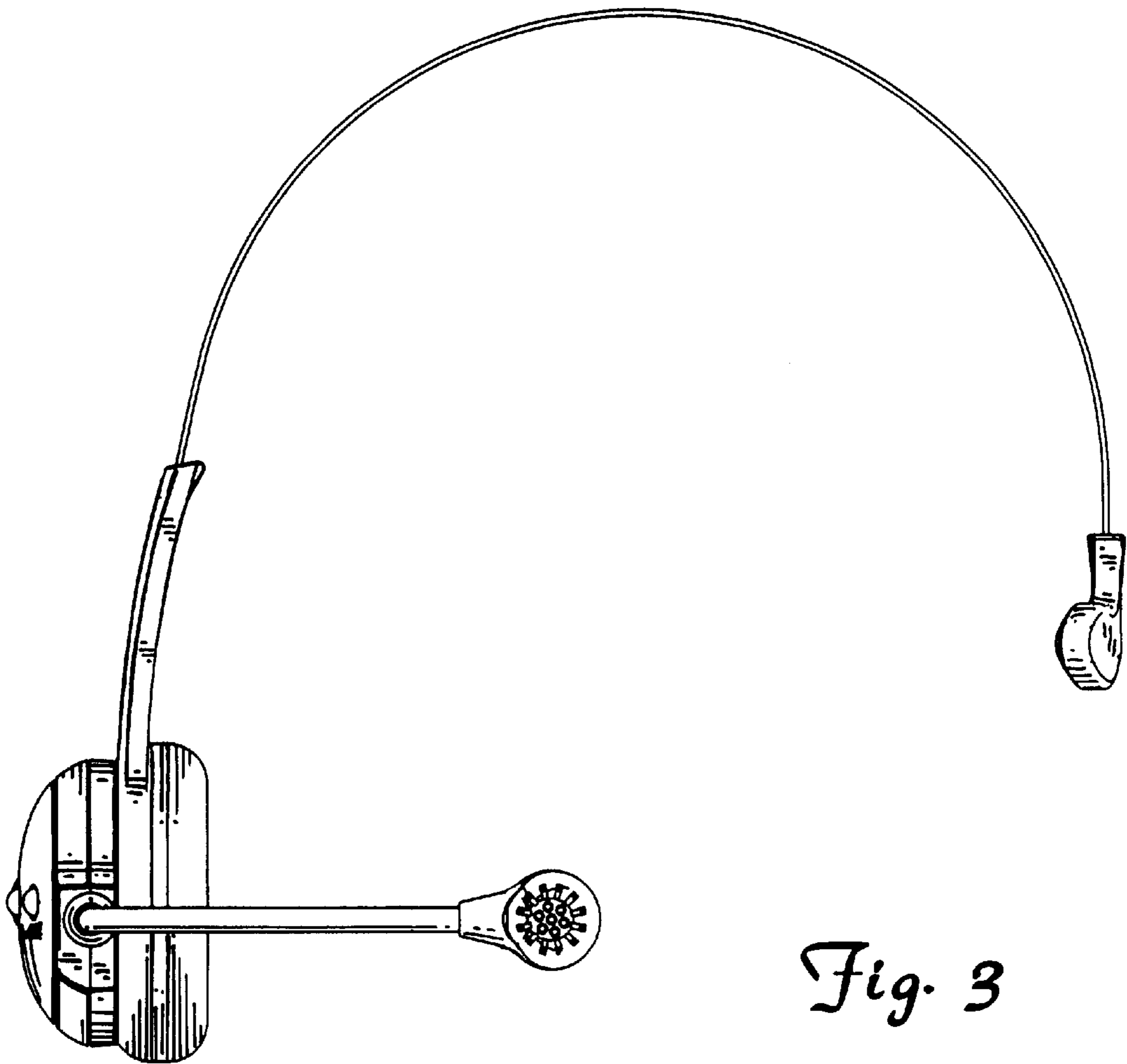


Fig. 3

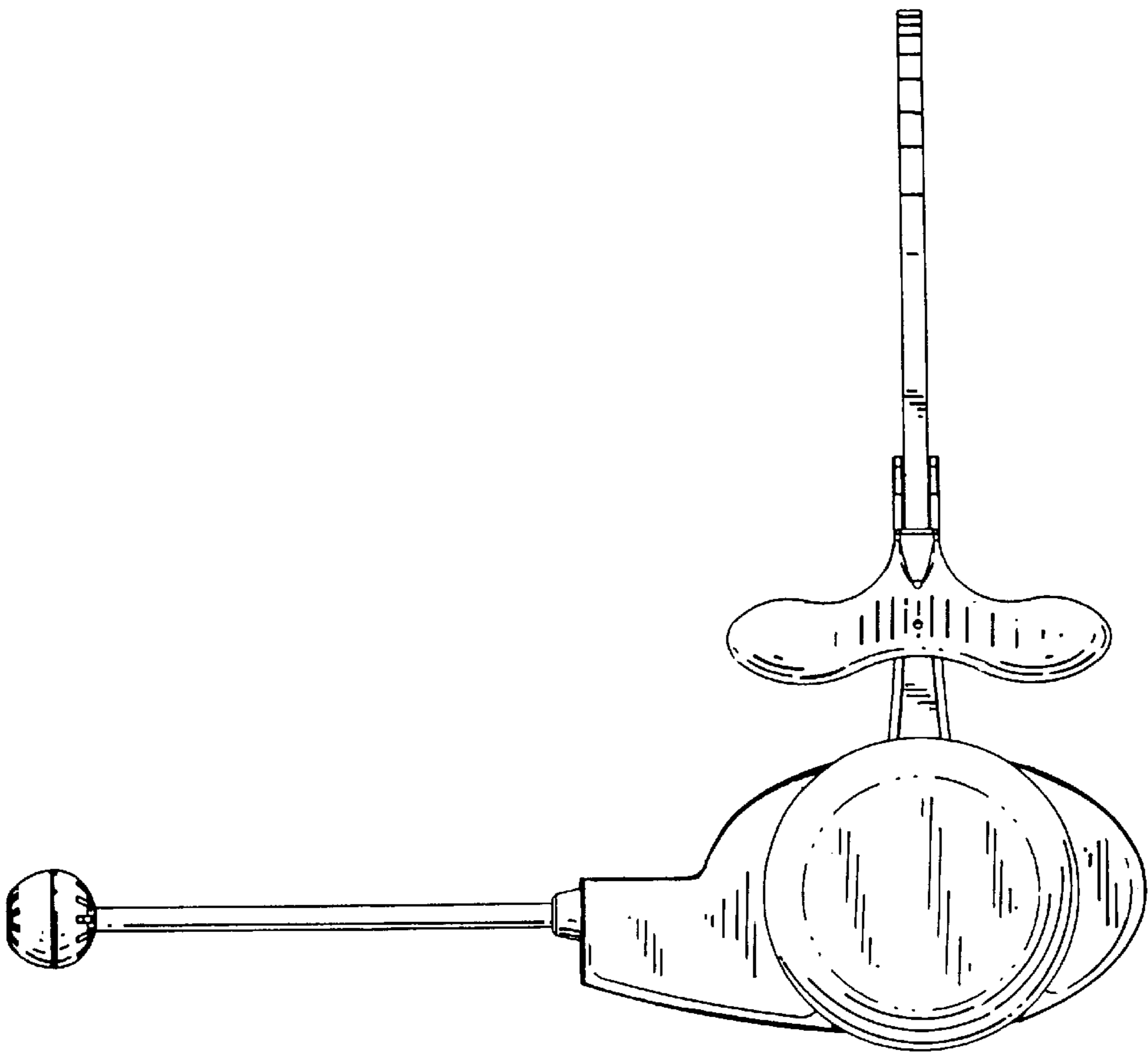


Fig. 4

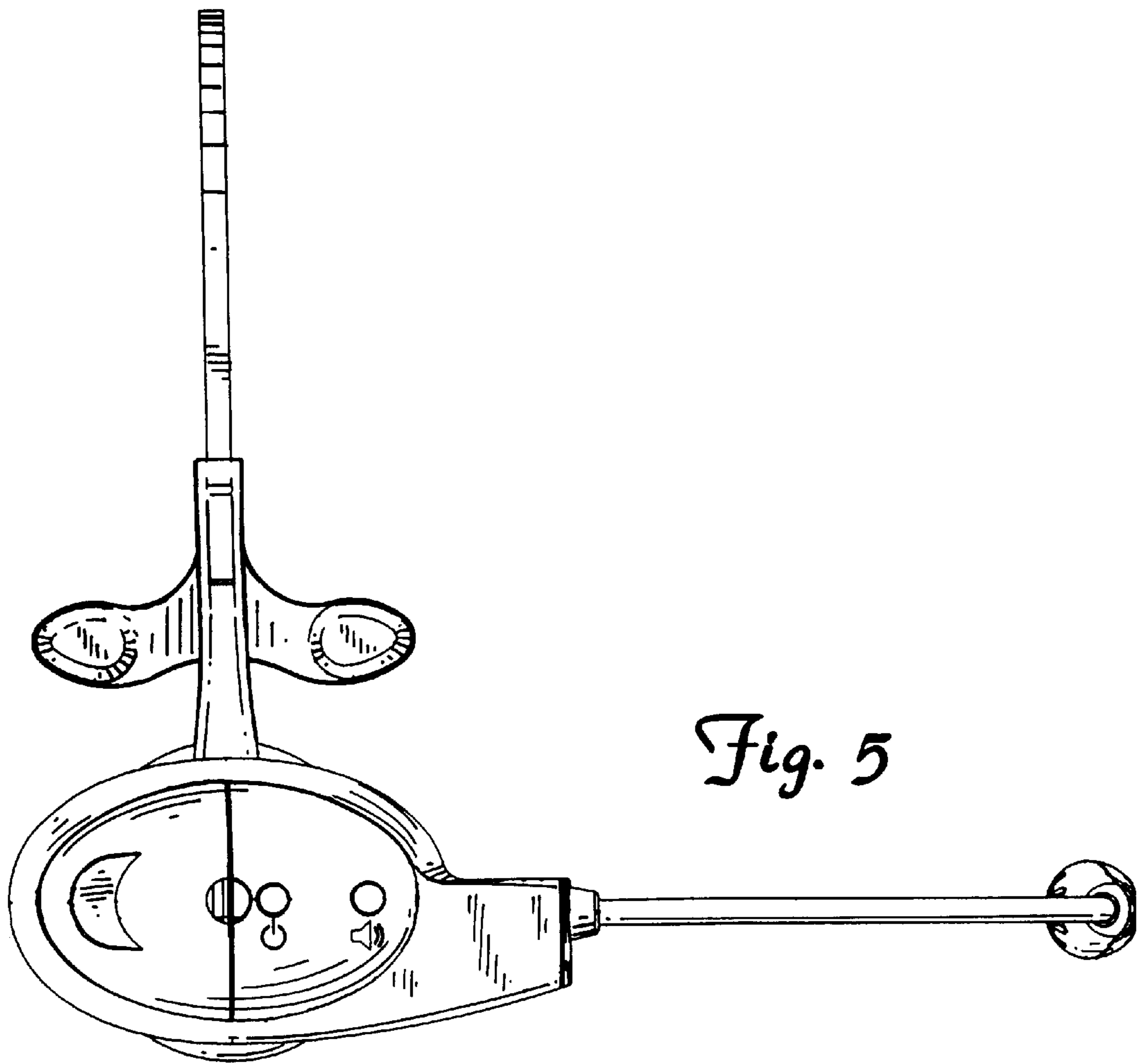


Fig. 5

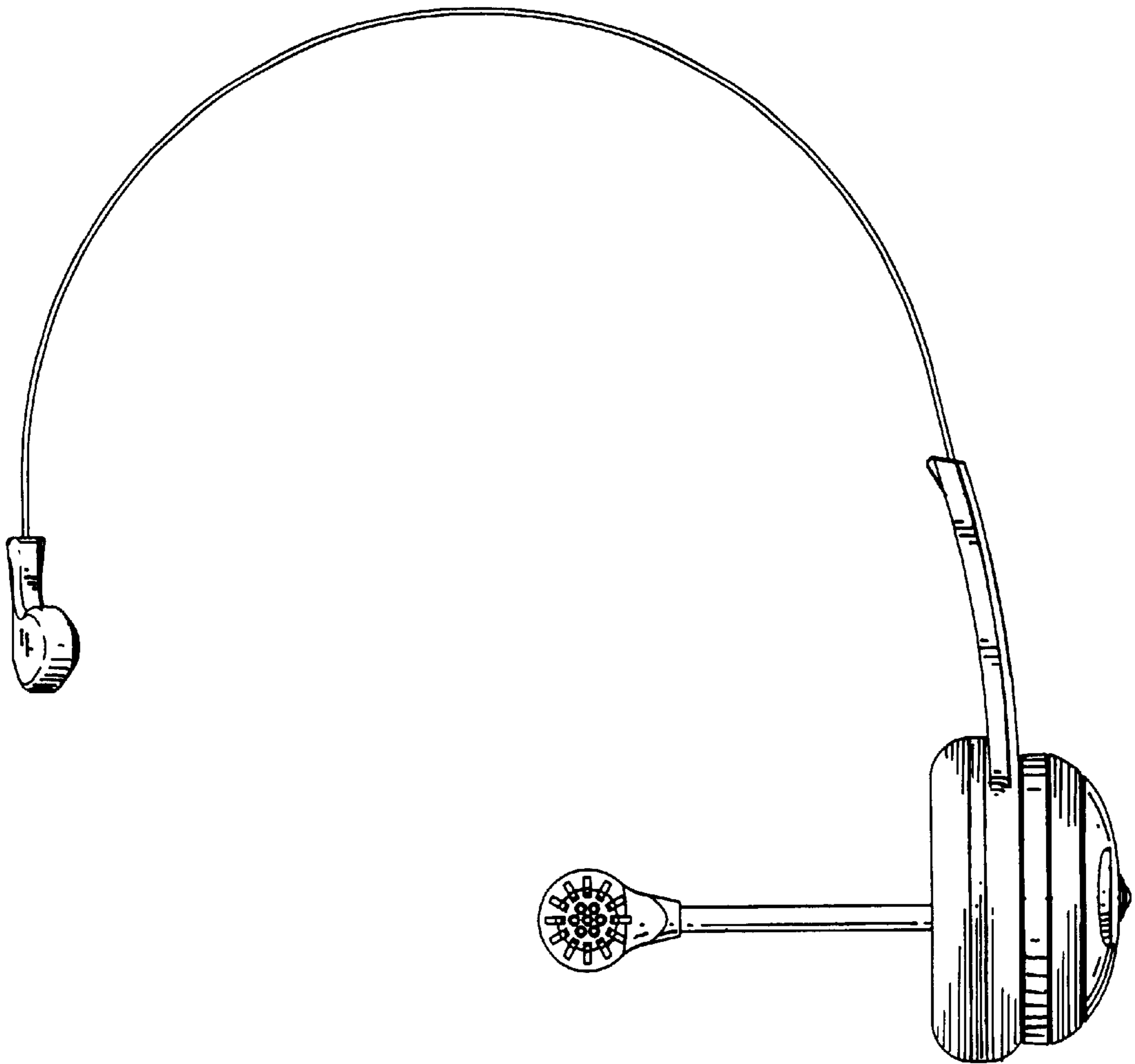


Fig. 6

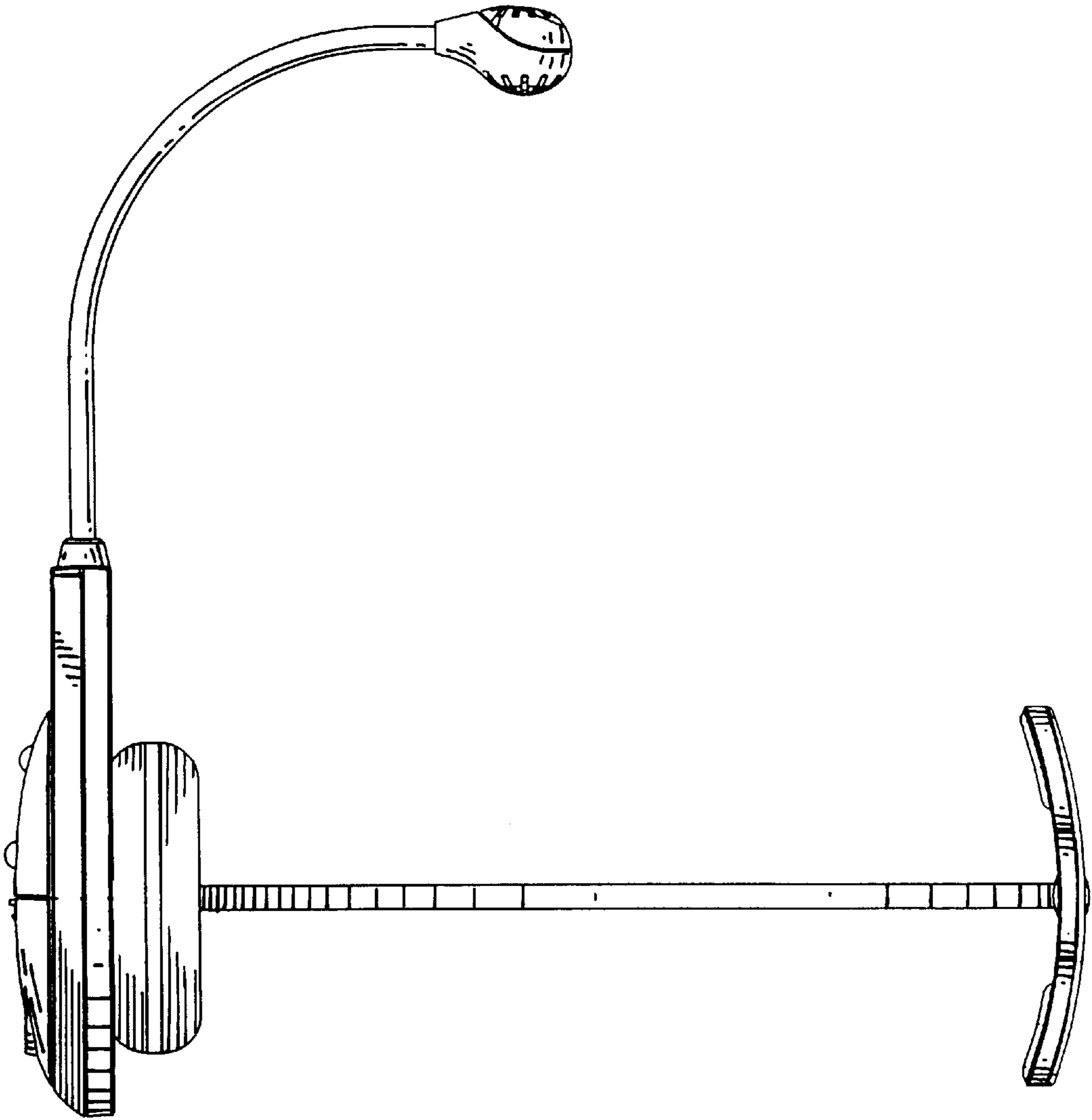


Fig. 7

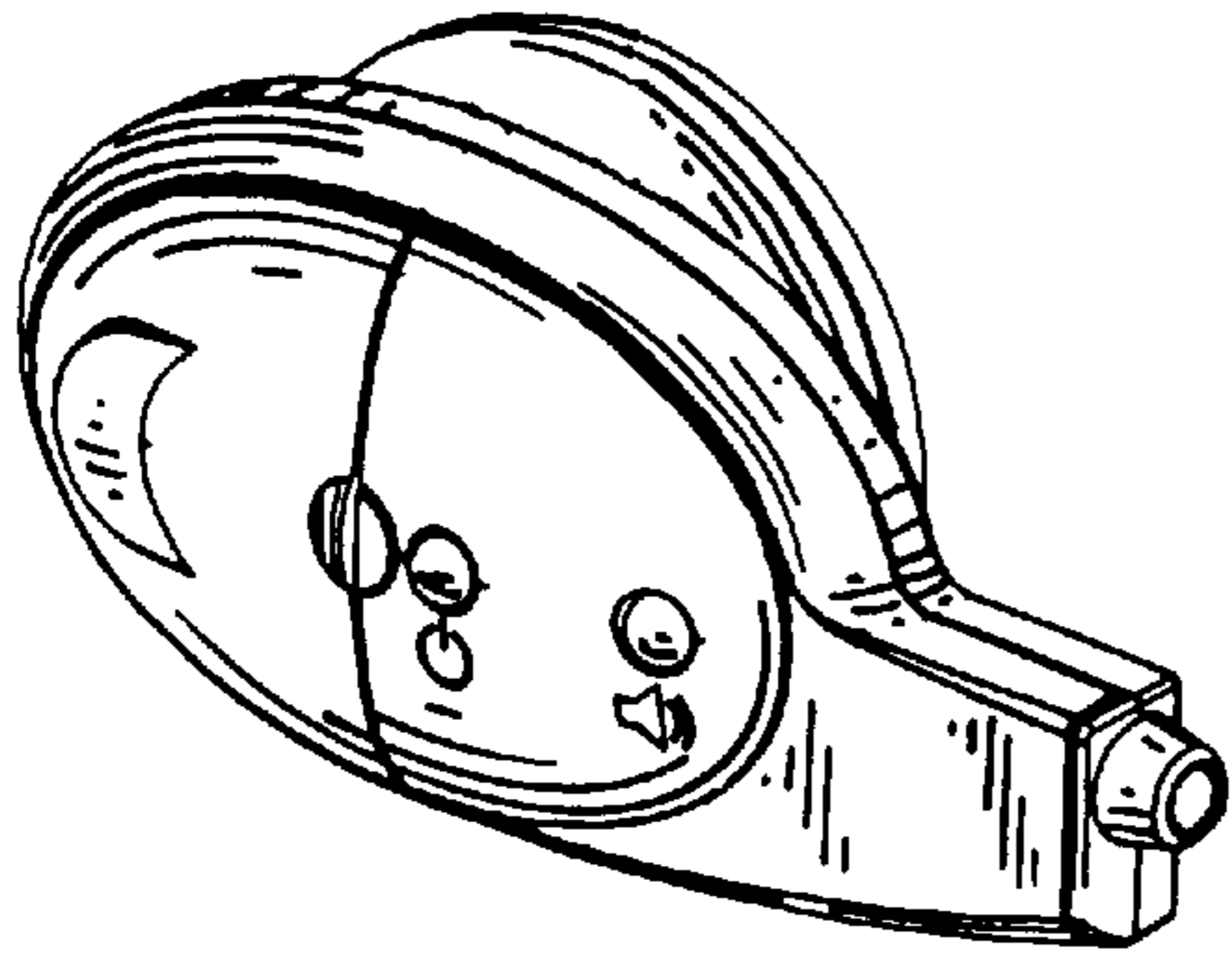


Fig. 8

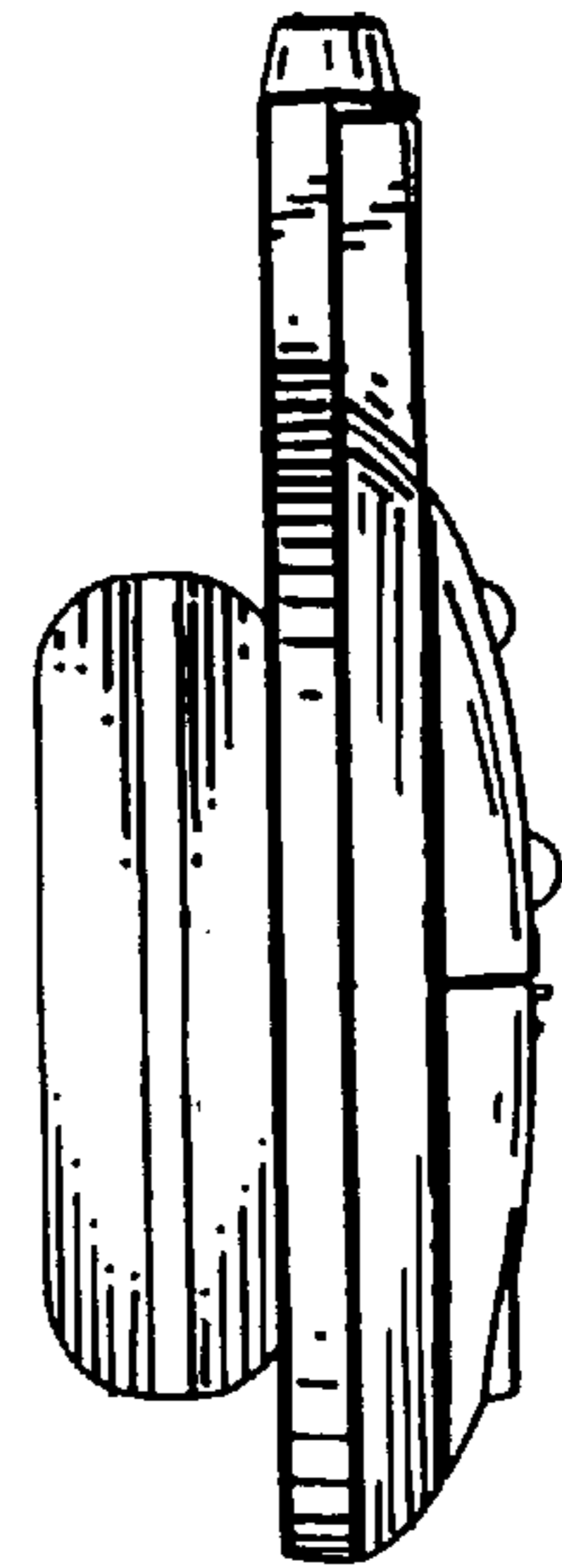


Fig. 9

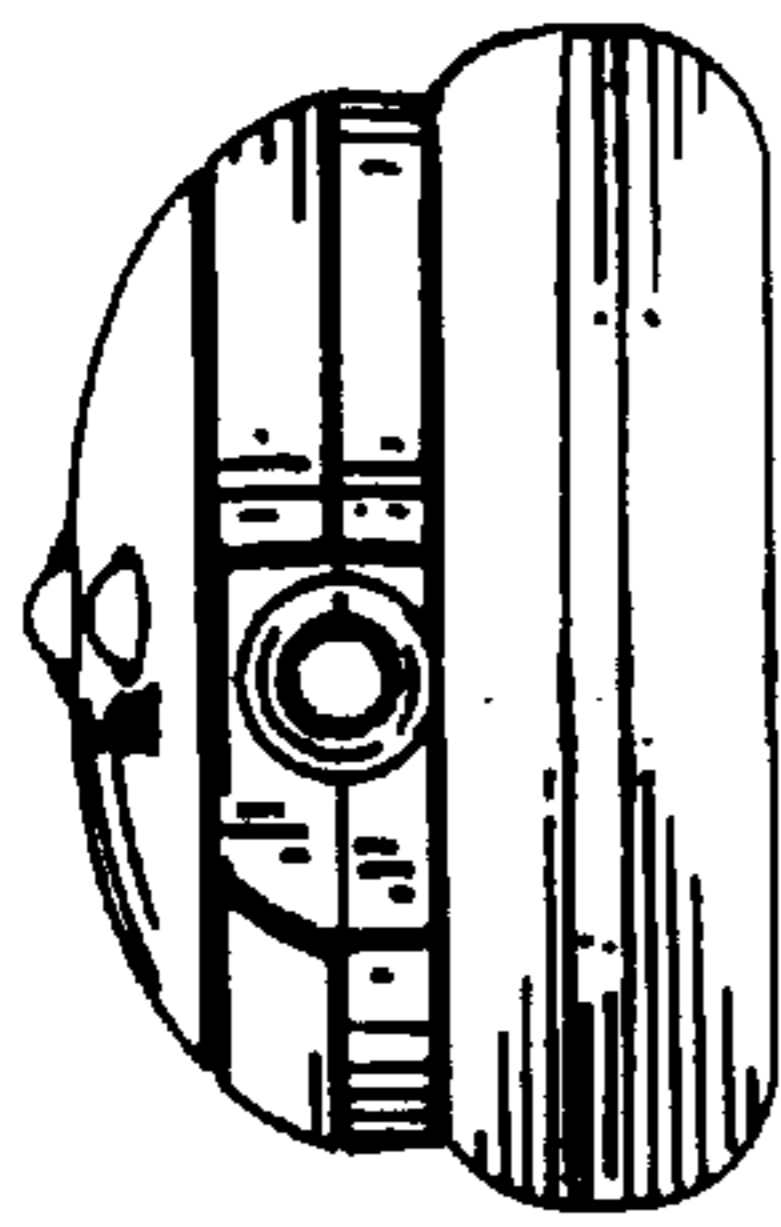


Fig. 10

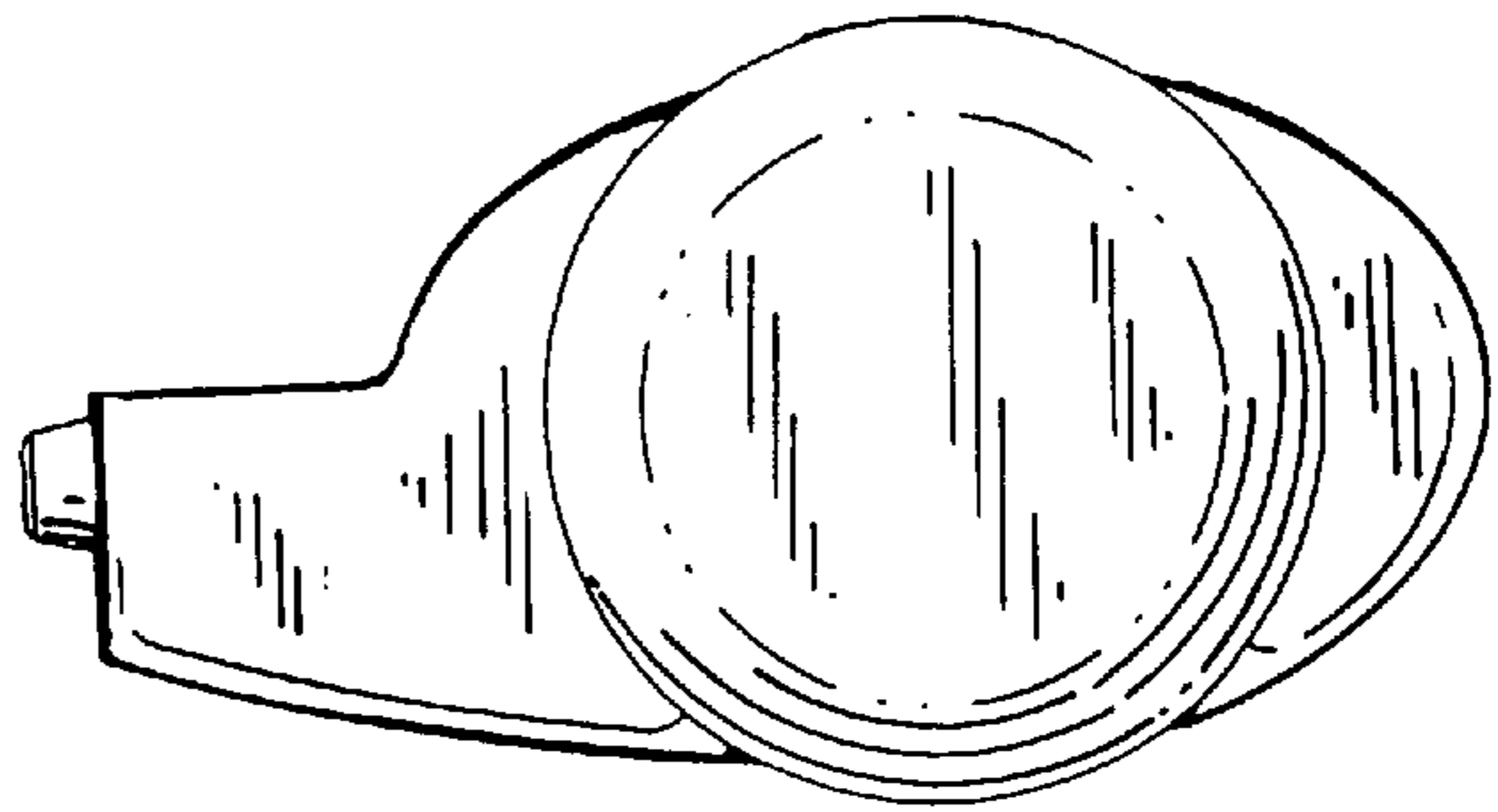


Fig. 11

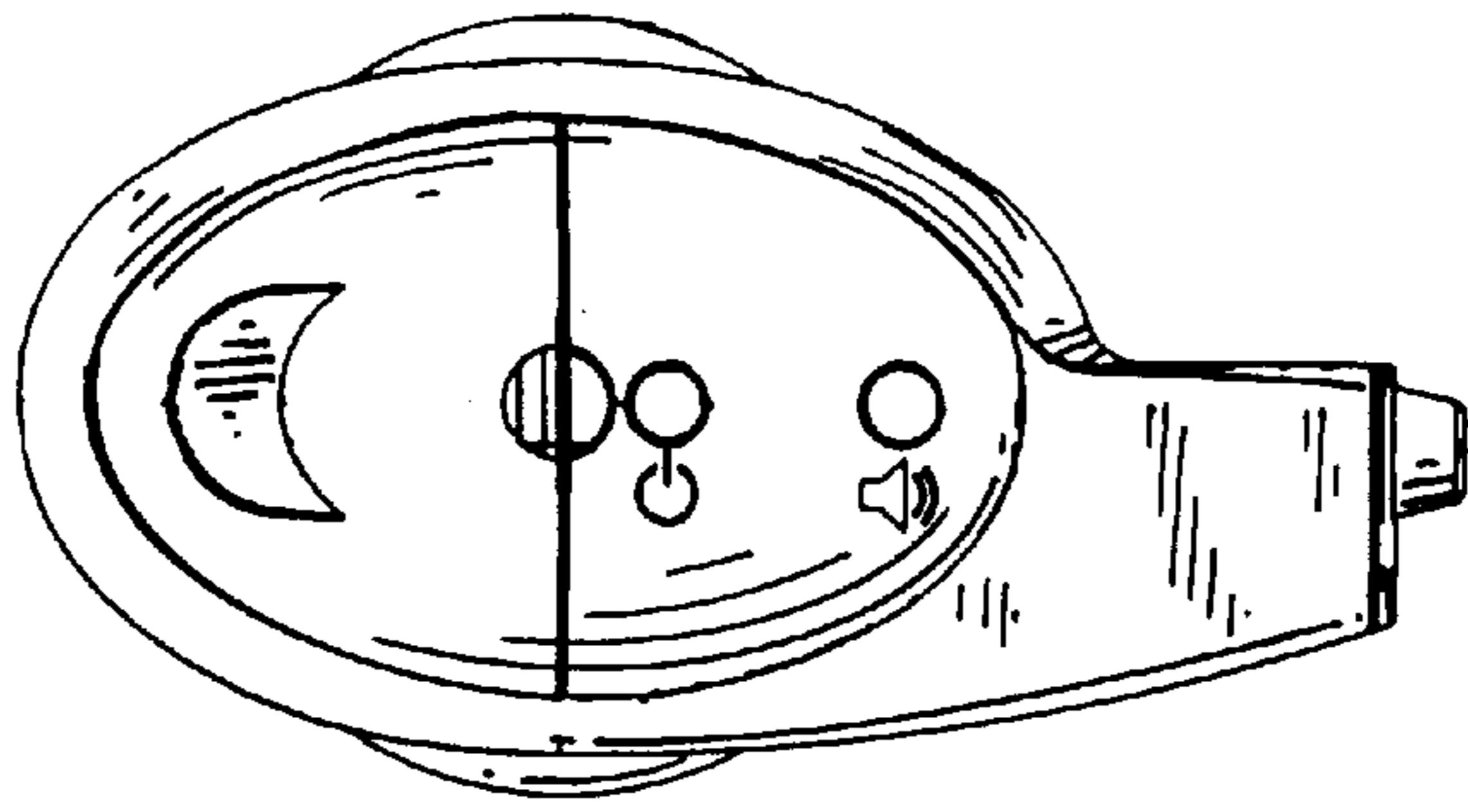


Fig. 12

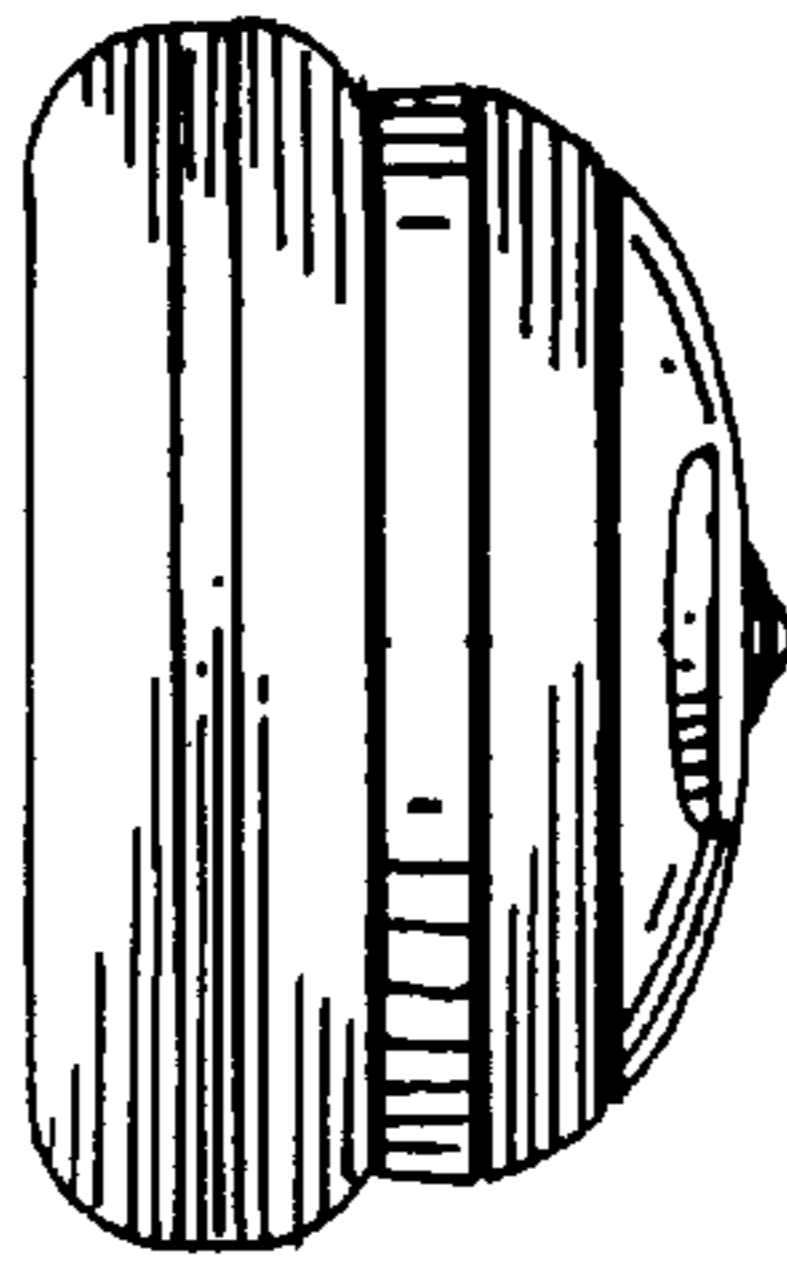


Fig. 13

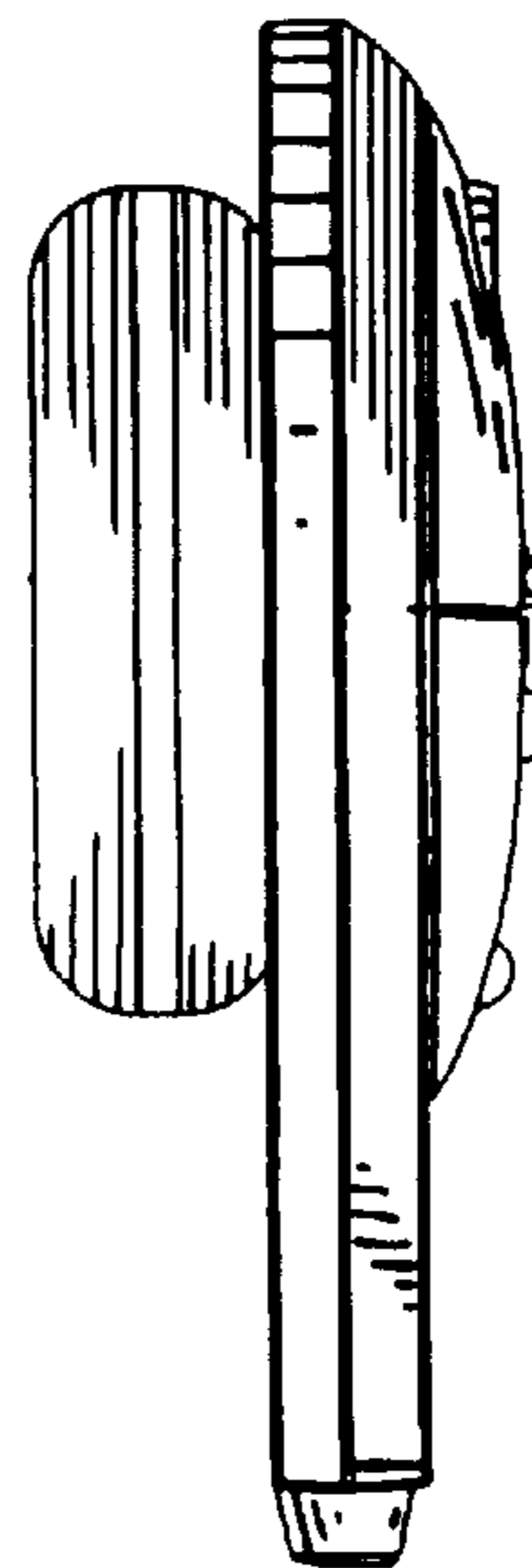


Fig. 14