



US00D443868S

(12) **United States Design Patent**
Ito et al.

(10) **Patent No.:** **US D443,868 S**
(45) **Date of Patent:** **** Jun. 19, 2001**

(54) **COMBINED DIGITAL AUDIO DISC PLAYER,
AMPLIFIER AND TUNER**

(75) Inventors: **Masafumi Ito; Hiroyuki Watanabe;
Yukio Iikura**, all of Musashino (JP)

(73) Assignee: **TEAC Corporation**, Tokyo (JP)

(**) Term: **14 Years**

(21) Appl. No.: **29/133,751**

(22) Filed: **Dec. 6, 2000**

Related U.S. Application Data

(62) Division of application No. 29/127,920, filed on Aug. 15, 2000.

(30) **Foreign Application Priority Data**

Feb. 17, 2000 (JP) 12-8149
Feb. 17, 2000 (JP) 12-8150

(51) **LOC (7) Cl.** **14-01**

(52) **U.S. Cl.** **D14/168**

(58) **Field of Search** D14/135, 136,
D14/156, 160-162, 164, 167-168, 188,
197-198, 260, 265; 369/75.1, 75.2, 77.1,
77.2; 455/344, 347, 350, 351

(56) **References Cited**

U.S. PATENT DOCUMENTS

D. 327,684	*	7/1992	Tatsuka	D14/168
D. 328,747	*	8/1992	Ito et al.	D14/188
D. 423,006	*	4/2000	Matsuoka	D14/168
D. 425,061	*	5/2000	Ito et al.	D14/156
5,177,730	*	1/1993	Utsugi	369/77.1

* cited by examiner

Primary Examiner—Nanda Bondade

(74) *Attorney, Agent, or Firm*—Ladas & Parry

(57) **CLAIM**

The ornamental design for a combined digital audio disc player, amplifier and tuner, as shown and described.

DESCRIPTION

FIG. 1 is a perspective view of a combined digital audio disc player, amplifier and tuner showing our new design; FIG. 2 is a front view of FIG. 1; FIG. 3 is a rear view of FIG. 1; FIG. 4 is a bottom view of FIG. 1; FIG. 5 is a top view of FIG. 1; FIG. 6 is a right side view of FIG. 1; and, FIG. 7 is a left side view of FIG. 1.

1 Claim, 2 Drawing Sheets

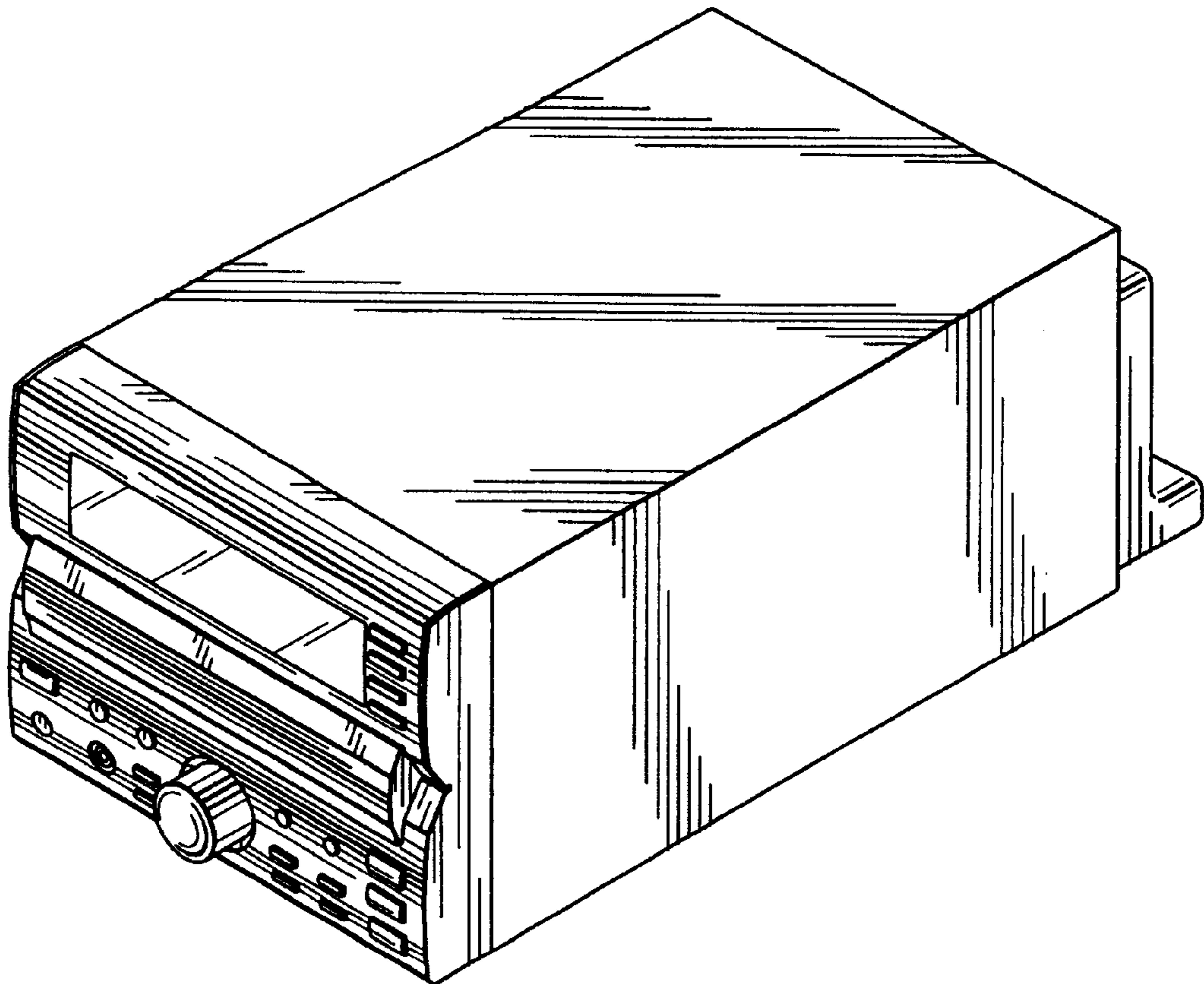


FIG. 1

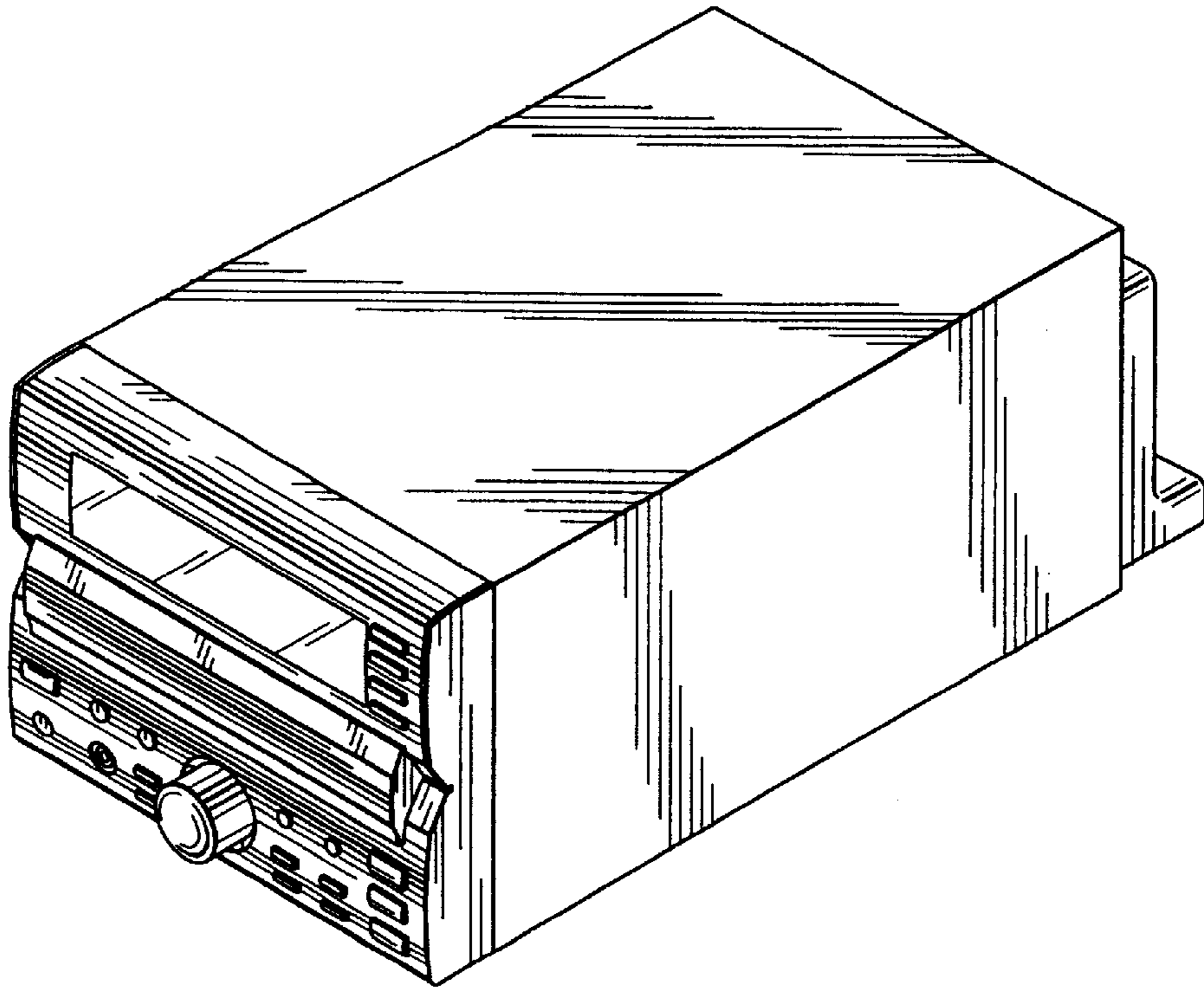


FIG. 2

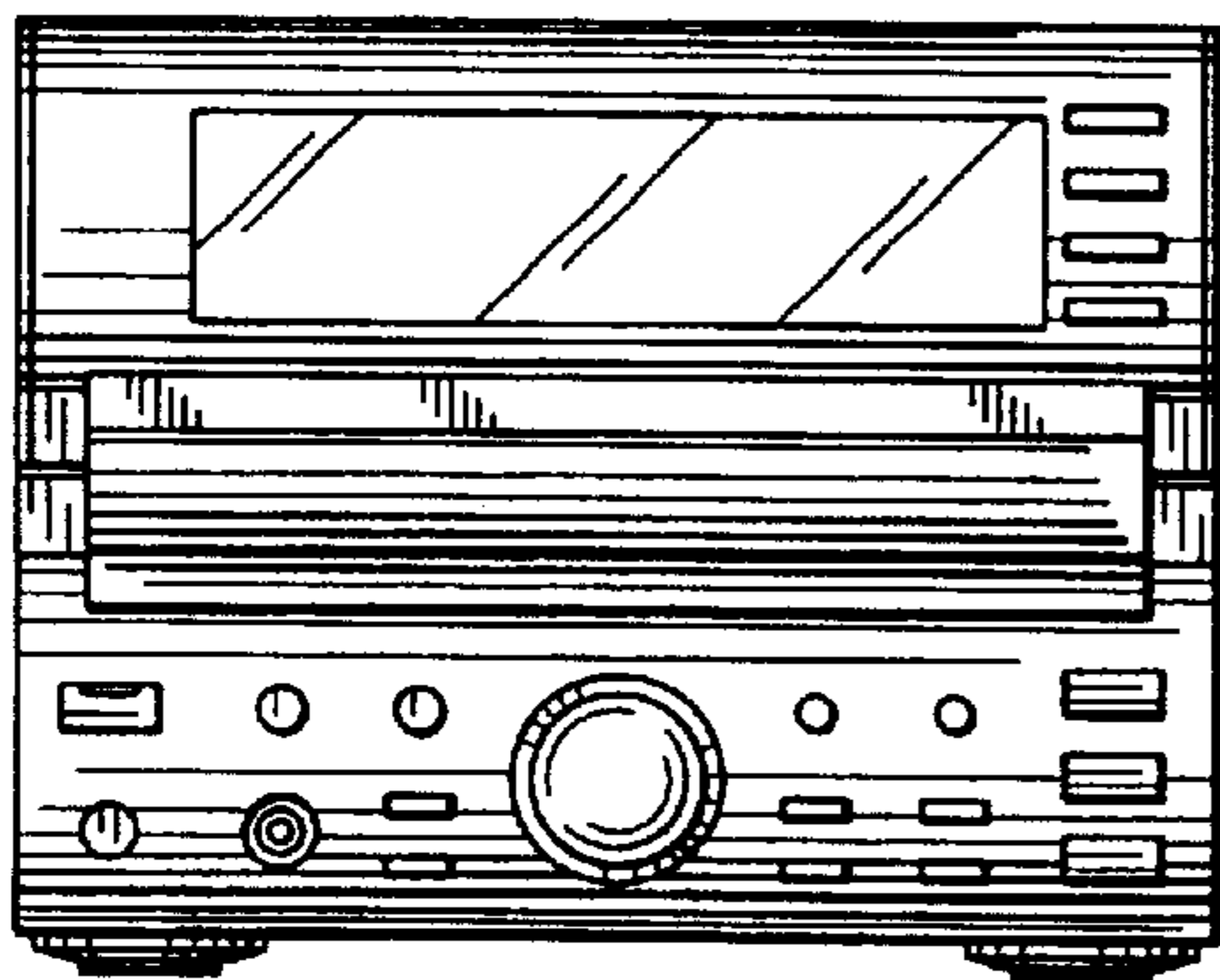


FIG. 3

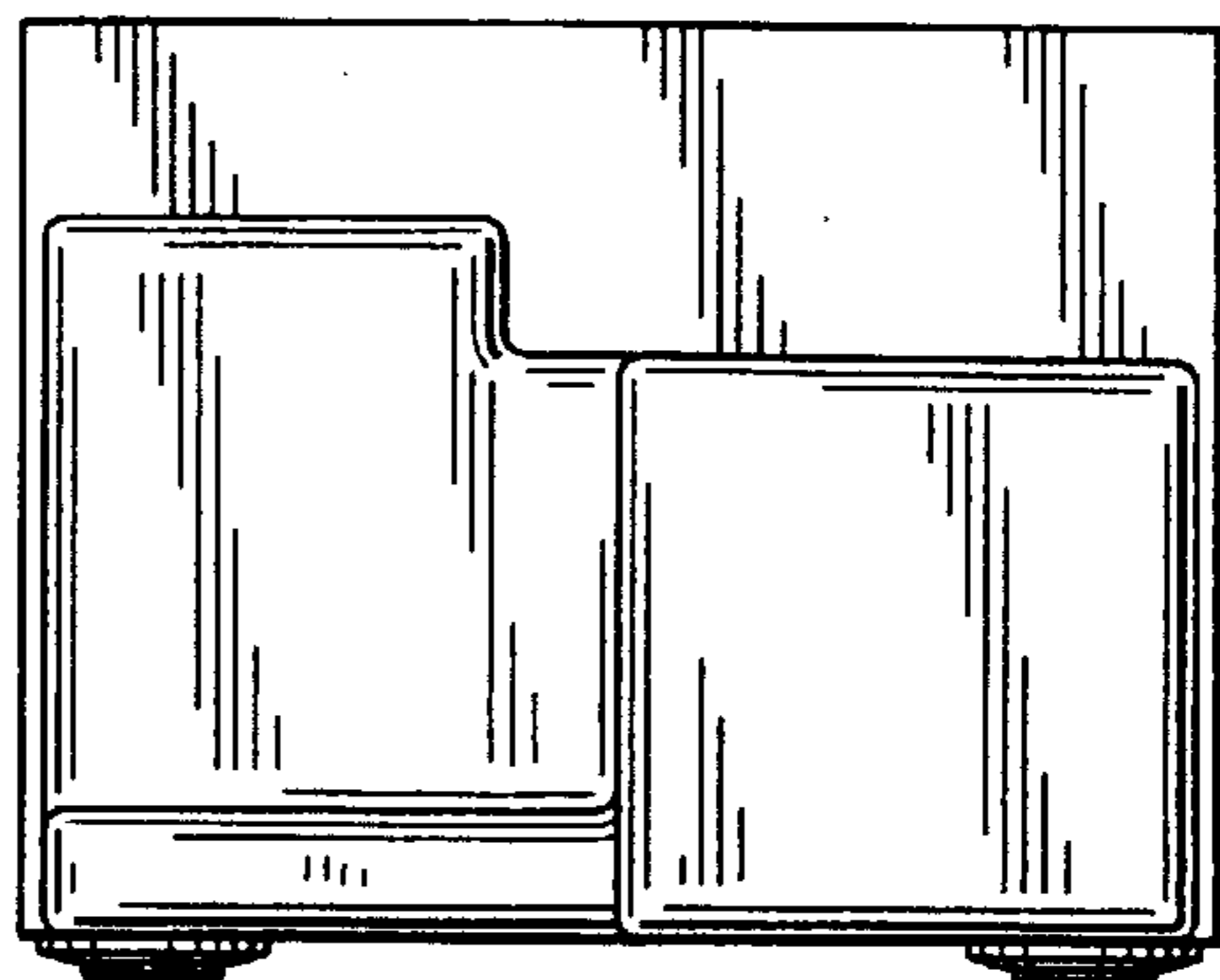


FIG. 4

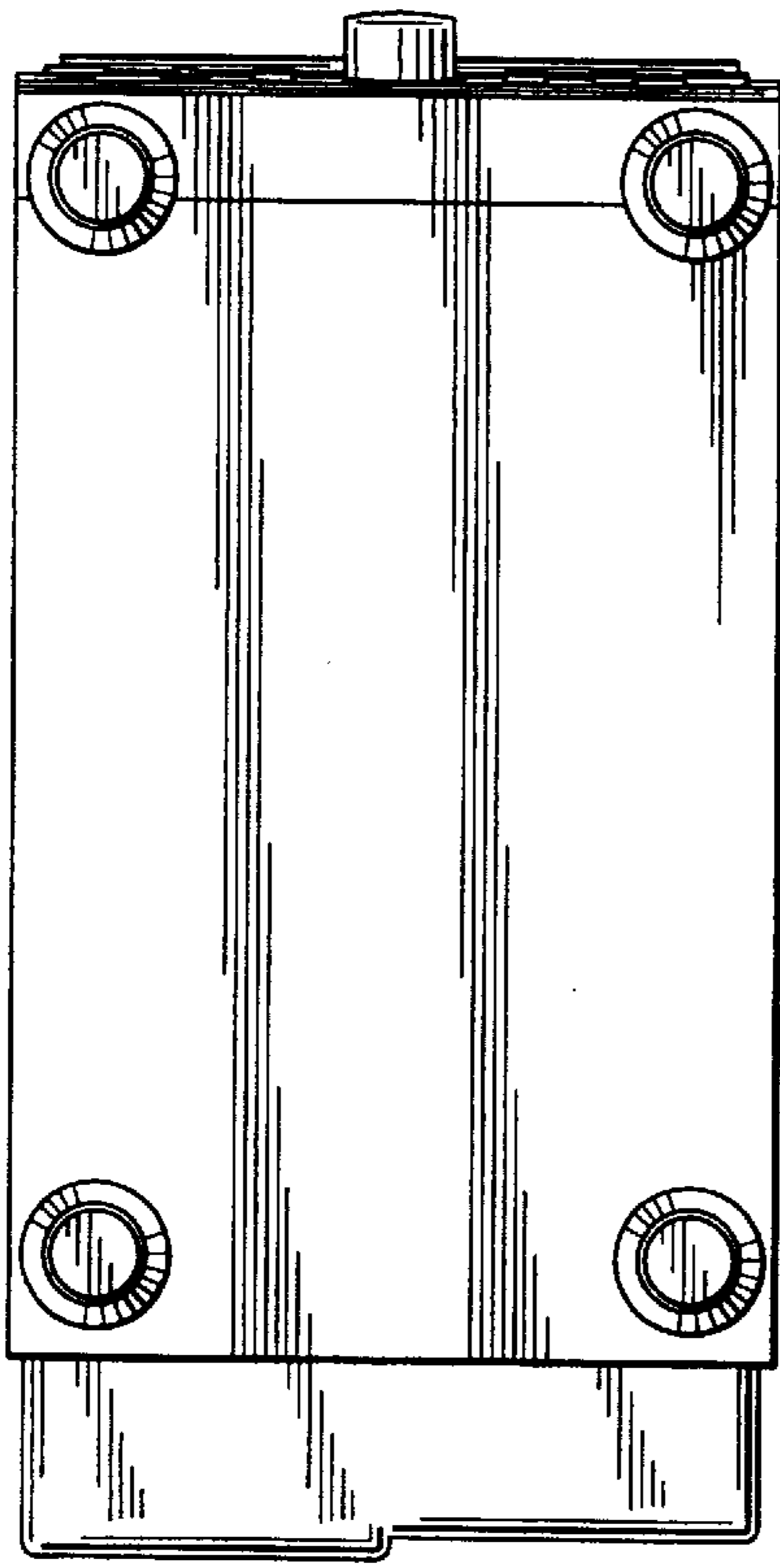


FIG. 5

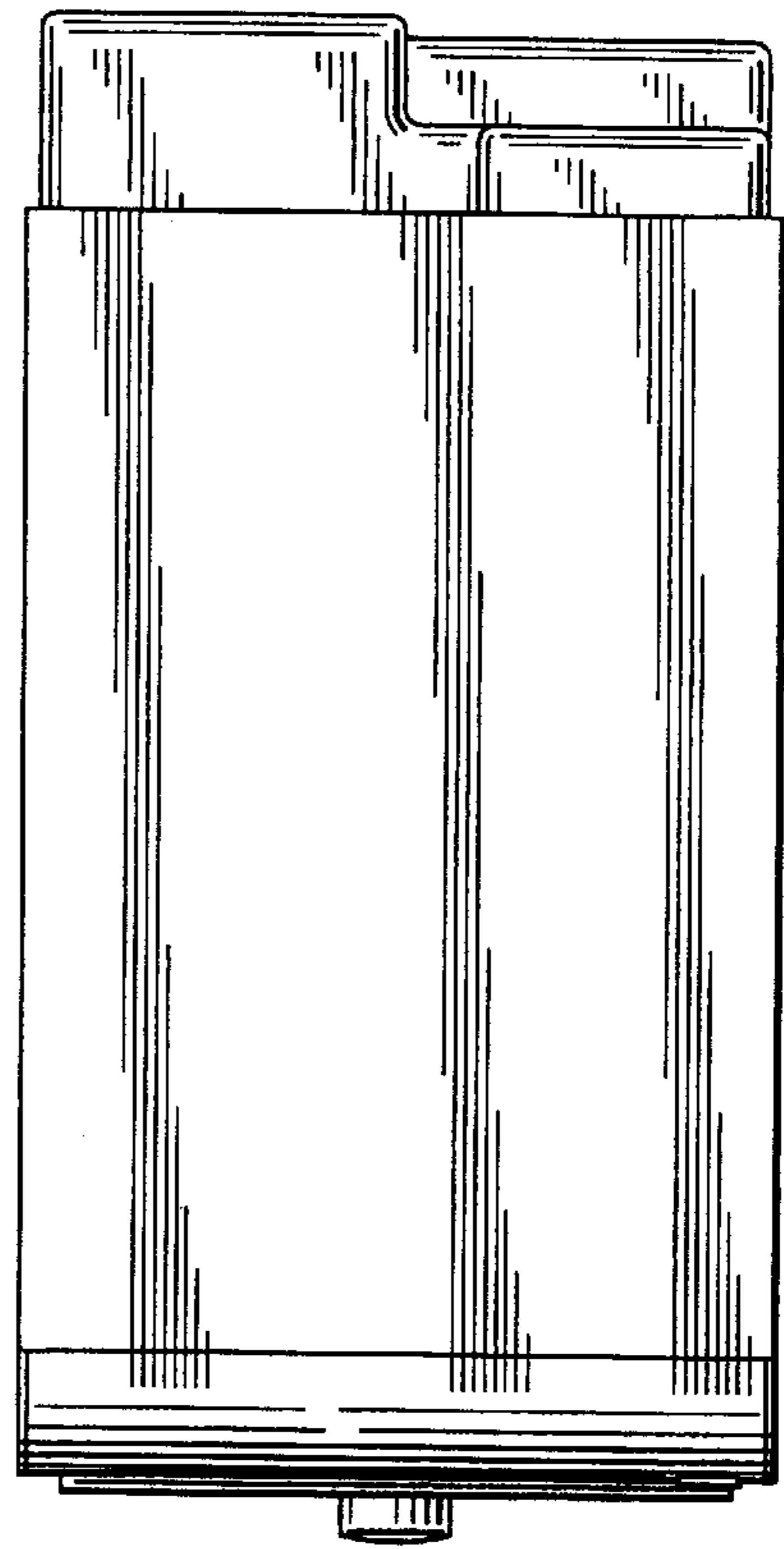


FIG. 6

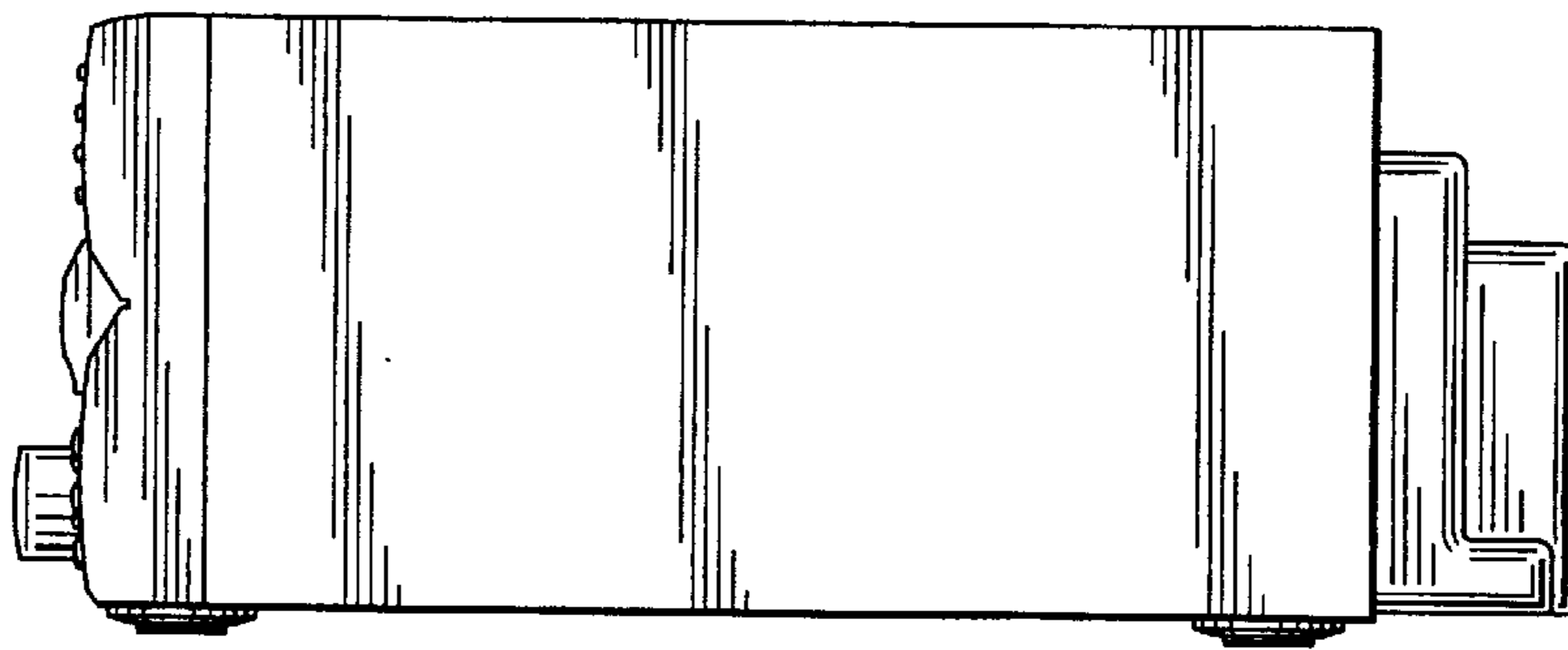


FIG. 7

