



US00D443866S

(12) **United States Design Patent**
Arbisi et al.

(10) **Patent No.:** **US D443,866 S**

(45) **Date of Patent:** **** Jun. 19, 2001**

(54) **HANDSET**

(75) Inventors: **Tom Arbisi**, Newbury Park; **Todd Wood**, Thousand Oaks, both of CA (US)

(73) Assignee: **Nokia Mobile Phones Ltd.**, Espoo (FI)

(**) Term: **14 Years**

(21) Appl. No.: **29/129,091**

(22) Filed: **Sep. 7, 2000**

(51) **LOC (7) Cl.** **14-03**

(52) **U.S. Cl.** **D14/138**

(58) **Field of Search** D14/137, 138,
D14/218, 147-148, 247-248, 144, 249,
341-347; 379/433.434, 419, 420, 428, 440;
455/550-575, 90

(56) **References Cited**

U.S. PATENT DOCUMENTS

D. 369,598	*	5/1996	Nagele et al.	D14/138
D. 385,873	*	11/1997	Nagele et al.	D14/138
D. 405,081	*	2/1999	Nagele et al.	D14/138
D. 416,255	*	11/1999	Johansson et al.	D14/144
D. 418,504	*	1/2000	Frye et al.	D14/138
D. 419,155	*	1/2000	Nagele et al.	D14/138
D. 419,991	*	2/2000	Park	D14/138
D. 422,275	*	4/2000	Nagele et al.	D14/138
D. 425,057	*	5/2000	Finkbeiner	D14/138
D. 425,503	*	5/2000	Nagele et al.	D14/138

D. 428,403	*	7/2000	Hyun	D14/138
D. 429,228	*	8/2000	Nagele et al.	D14/138
D. 429,707	*	8/2000	Park	D14/138
D. 429,709	*	8/2000	Nagele et al.	D14/138
D. 430,859	*	9/2000	Lindeman et al.	D14/138
D. 432,105	*	10/2000	Hyun	D14/138
D. 432,510	*	10/2000	Hyun	D14/138
D. 434,402	*	11/2000	Lee	D14/138
5,987,122	*	11/1999	Daffara et al.	379/433
6,011,699	*	1/2000	Murray et al.	455/575 X
6,049,725	*	4/2000	Emmert et al.	455/573

* cited by examiner

Primary Examiner—Jeffrey Asch

(74) *Attorney, Agent, or Firm*—Brian T. Rivers

(57) **CLAIM**

The ornamental design for a handset, as shown.

DESCRIPTION

FIG. 1 is a top plan view of the handset;
 FIG. 2 is a left side view thereof;
 FIG. 3 is a front view thereof;
 FIG. 4 is a right side view thereof;
 FIG. 5 is a bottom plan view thereof;
 FIG. 6 is a perspective front view thereof;
 FIG. 7 is a perspective front view thereof in the open position;
 FIG. 8 is a rear view thereof;
 FIG. 9 is a right side view thereof in the open position; and,
 FIG. 10 is a front view thereof in the open position.

1 Claim, 3 Drawing Sheets

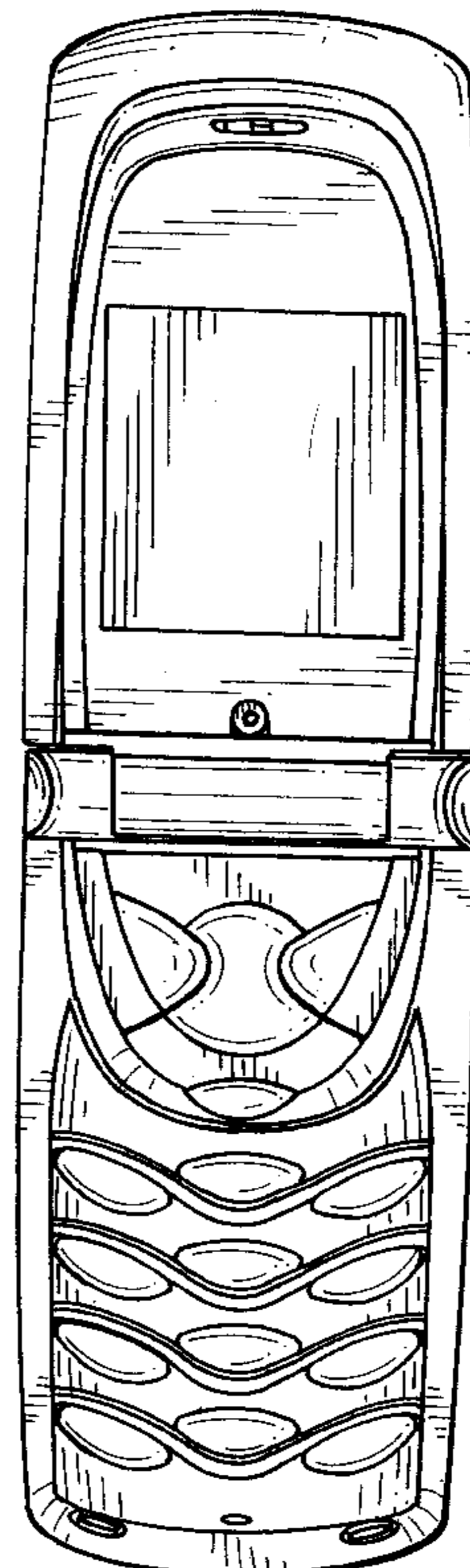
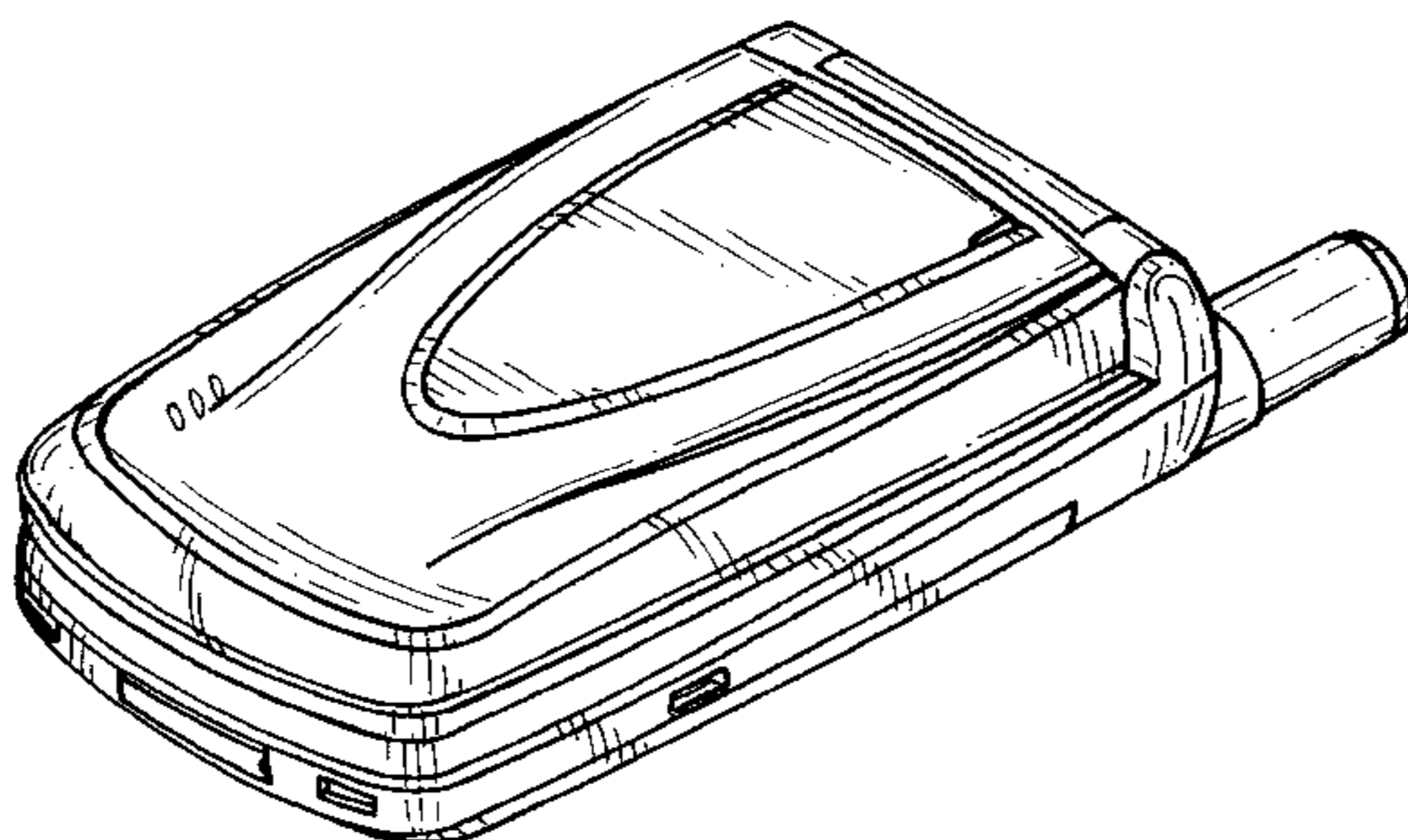


FIG. 1

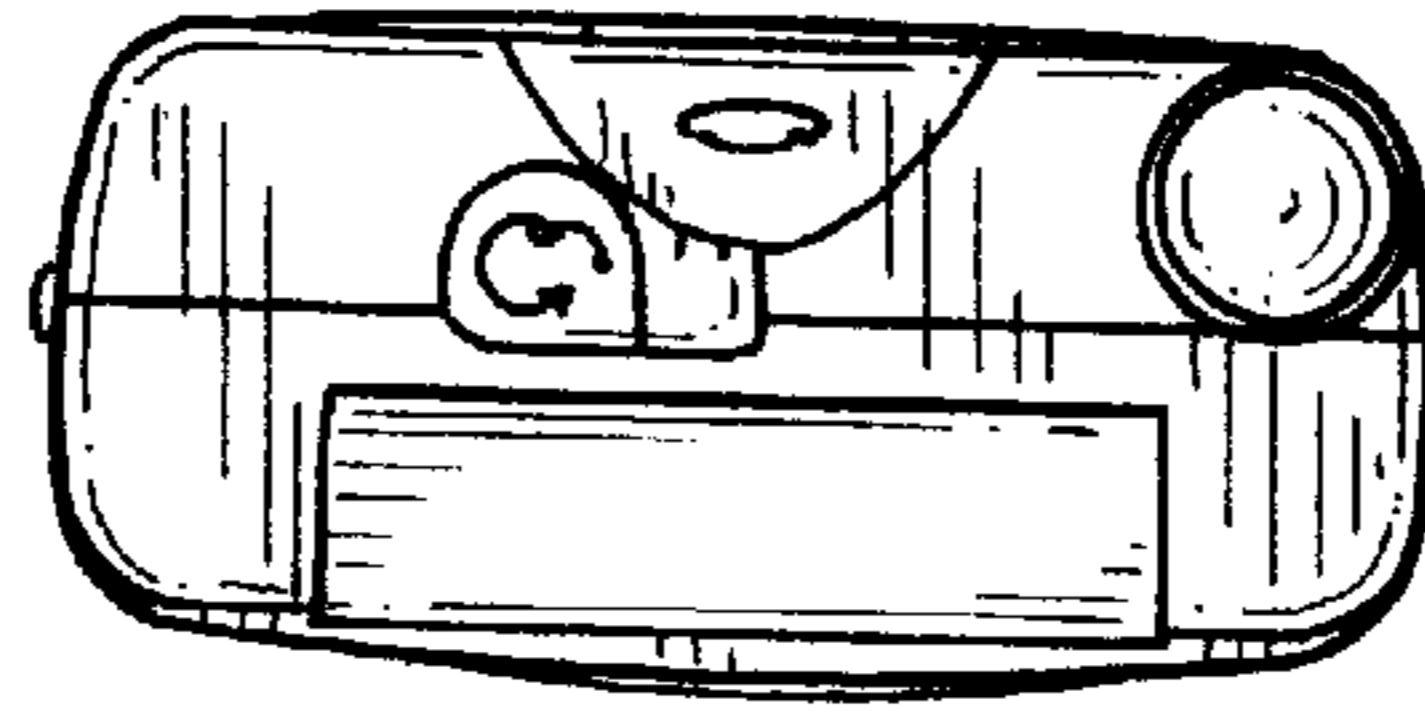


FIG. 2

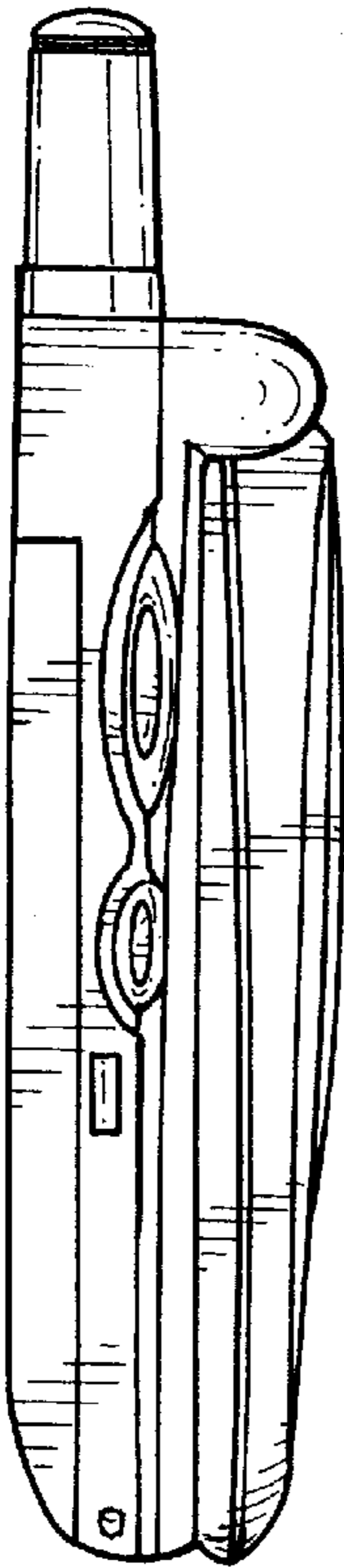


FIG. 3

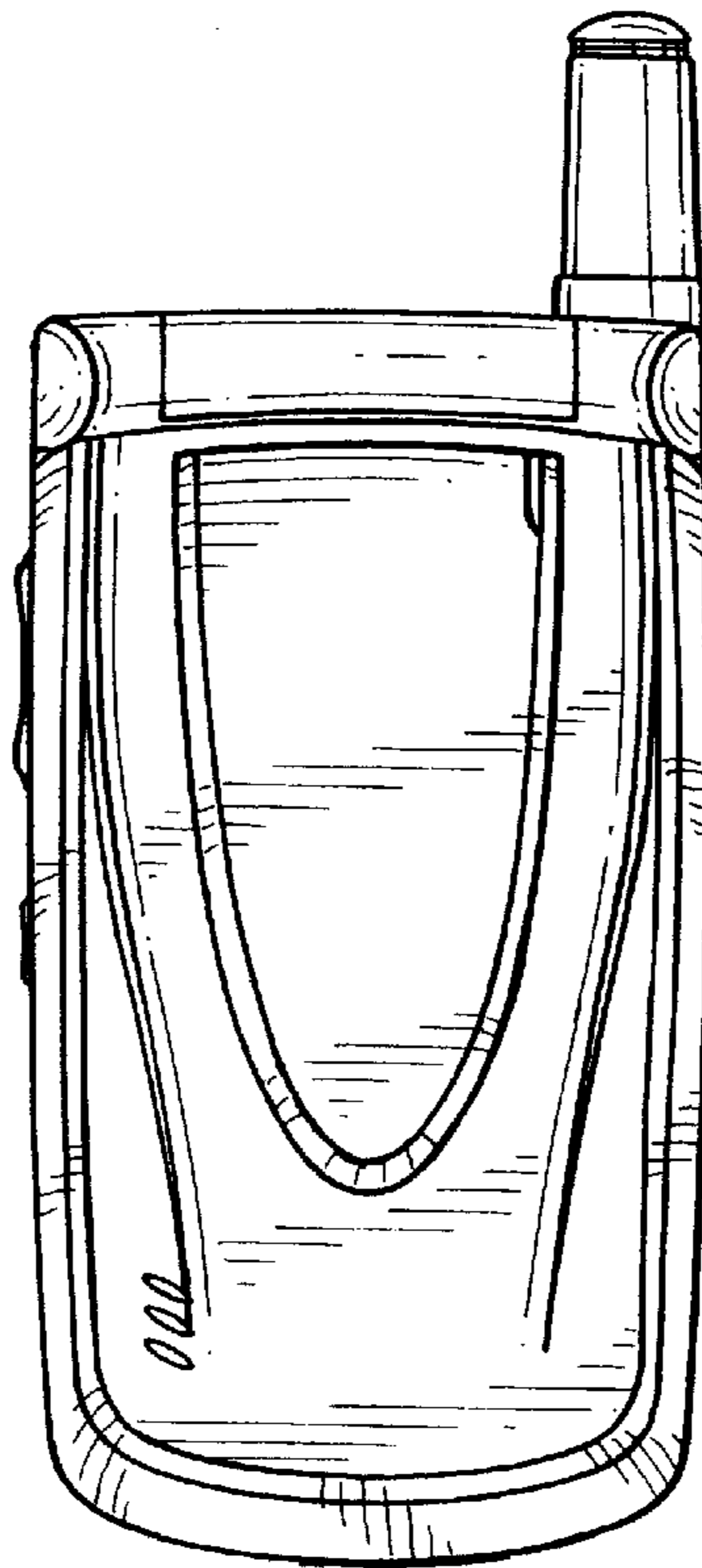


FIG. 4

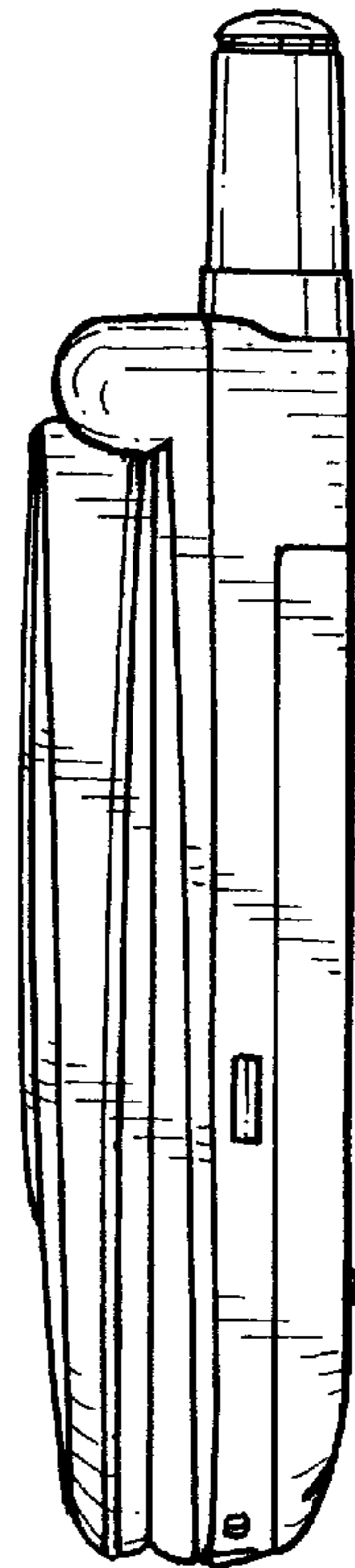


FIG. 5

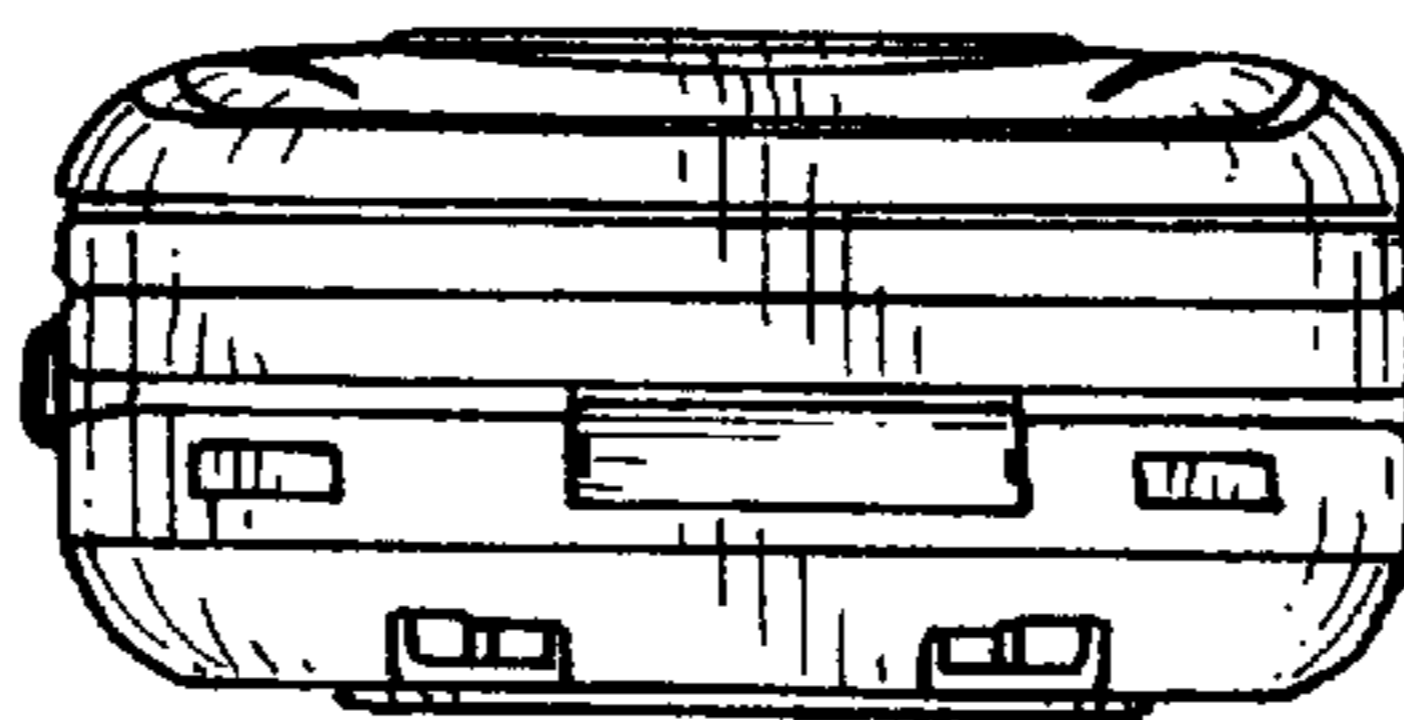


FIG. 6

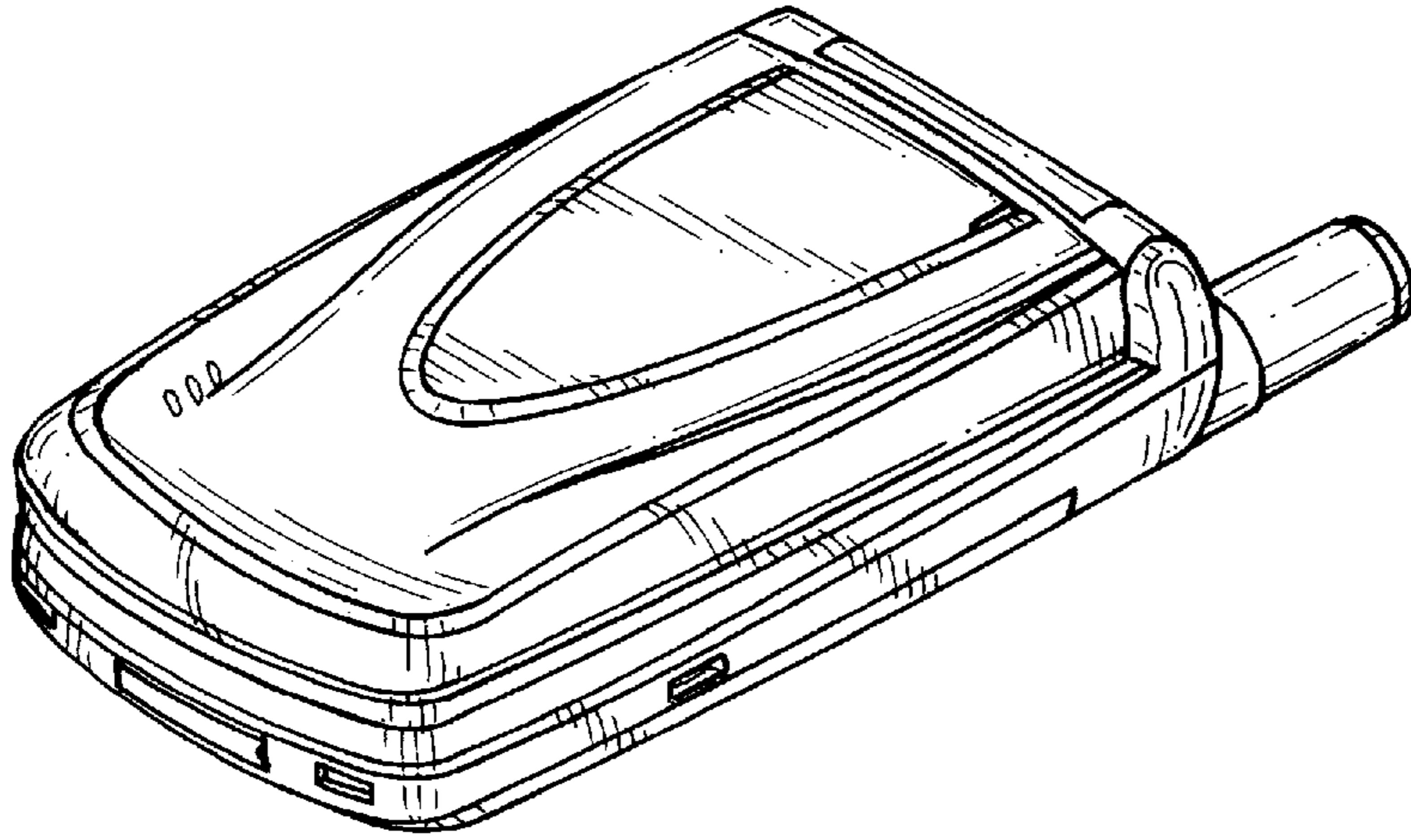


FIG. 7

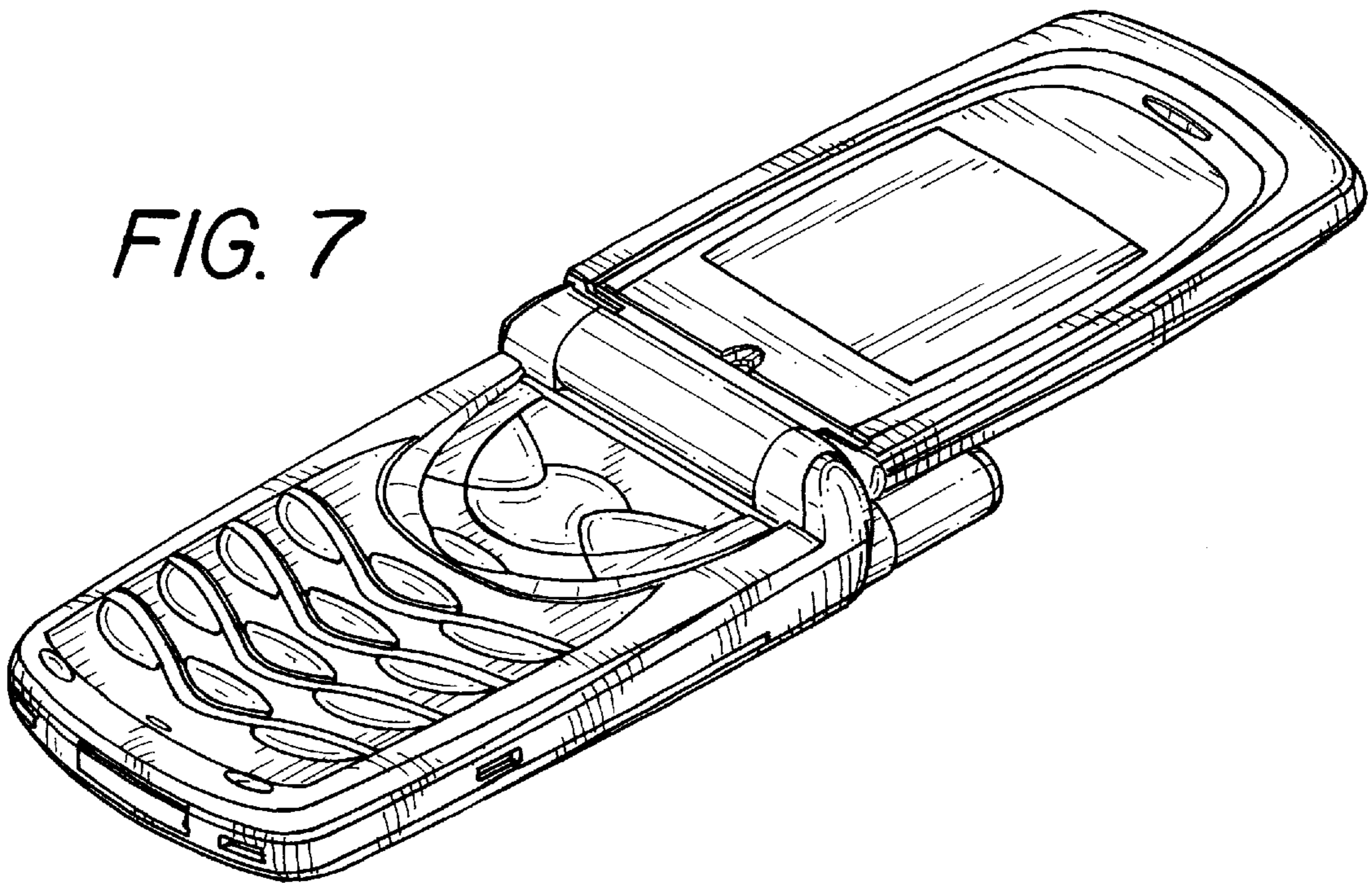


FIG. 8

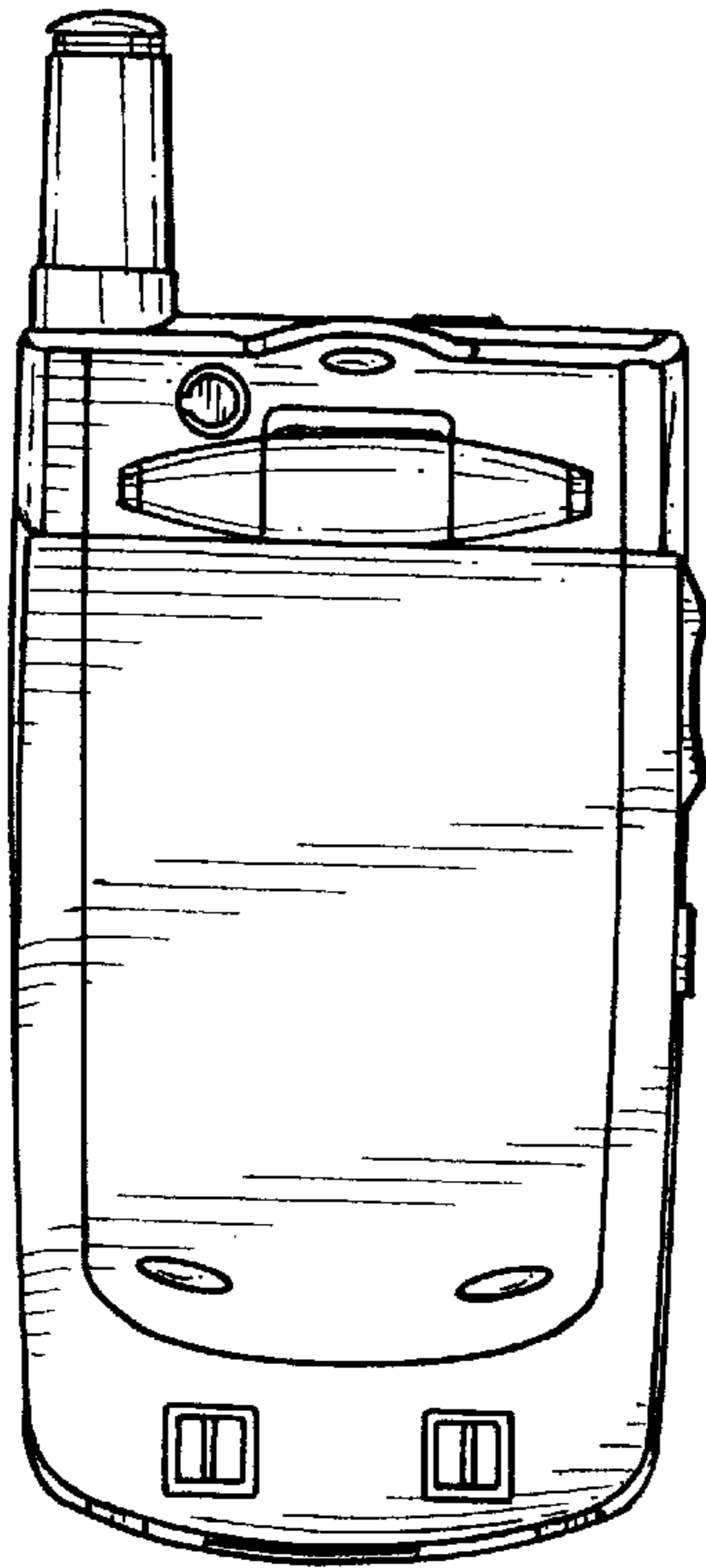


FIG. 9

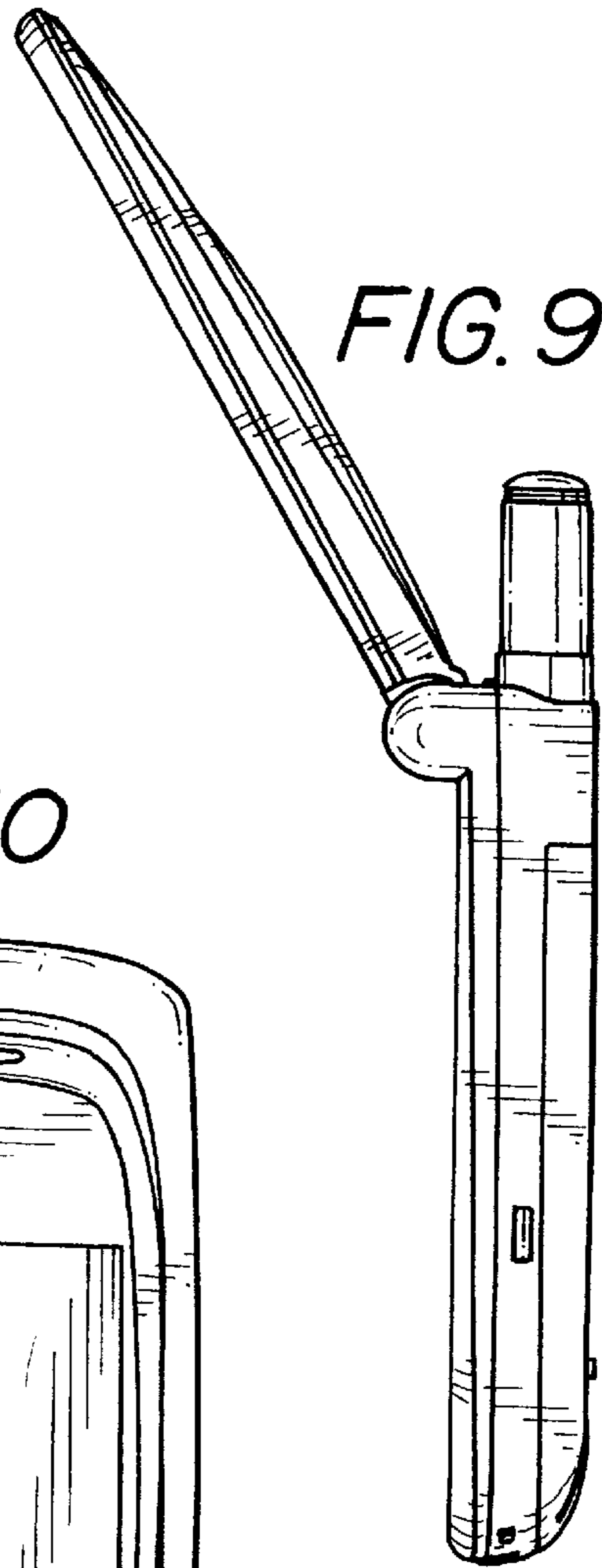


FIG. 10

