



US00D443862S

(12) **United States Design Patent**
Milan

(10) **Patent No.:** **US D443,862 S**

(45) **Date of Patent:** **** Jun. 19, 2001**

(54) **MOLD PRODUCED HOUSING FOR ENCLOSING THE CONNECTION BETWEEN A CABLE AND A CONNECTOR**

5,938,476 * 8/1999 Wu et al. 439/610
6,095,845 * 8/2000 Murphy 439/364

* cited by examiner

(76) Inventor: **Henry Milan**, 1709 Apple Ridge Ct.,
Rochester Hills, MI (US) 48306

Primary Examiner—Joel Sincavage

(74) *Attorney, Agent, or Firm*—Marshall & Melhorn, LLC

(**) Term: **14 Years**

(57) **CLAIM**

(21) Appl. No.: **29/132,534**

The ornamental design for a mold produced housing for enclosing the connection between a cable and a connector, as shown and described.

(22) Filed: **Nov. 10, 2000**

(51) **LOC (7) Cl.** **13-03**

DESCRIPTION

(52) **U.S. Cl.** **D13/154; D13/147**

(58) **Field of Search** D13/133, 146,
D13/147, 154, 156; 439/358, 372, 362,
588, 606–610

FIG. 1 is a front elevational view of a mold produced housing for enclosing the connection between a cable and a connector showing my new design.

FIG. 2 is a rear elevational view thereof.

FIG. 3 is a top plan view thereof.

FIG. 4 is a bottom plan view thereof.

FIG. 5 is a right side elevational view thereof; and,

FIG. 6 is a left side elevational view thereof.

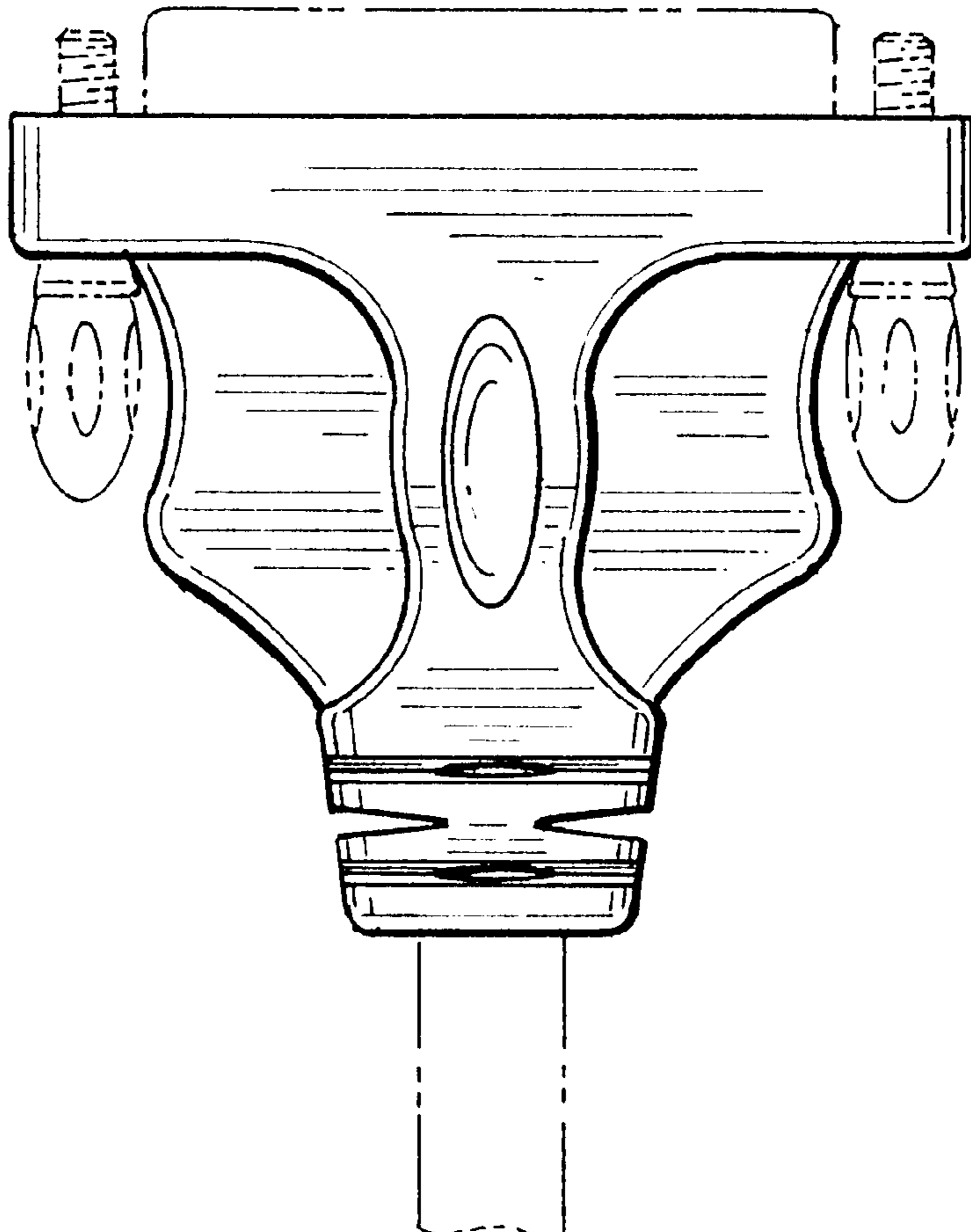
The broken lines in FIG. 1 are included for the purpose of illustrating environmental structure only and form no part of the claimed design.

(56) **References Cited**

U.S. PATENT DOCUMENTS

| | | | | |
|------------|---|---------|-----------------------|---------|
| D. 396,689 | * | 8/1998 | Karten et al. | D13/147 |
| D. 411,827 | * | 7/1999 | Gilliland et al. | D13/147 |
| D. 435,519 | * | 12/2000 | Lee | D13/147 |
| 5,383,795 | * | 1/1995 | Falossi et al. | 439/362 |
| 5,658,170 | * | 8/1997 | Tan et al. | 439/610 |
| 5,876,248 | * | 3/1999 | Brunker et al. | 439/608 |

1 Claim, 1 Drawing Sheet



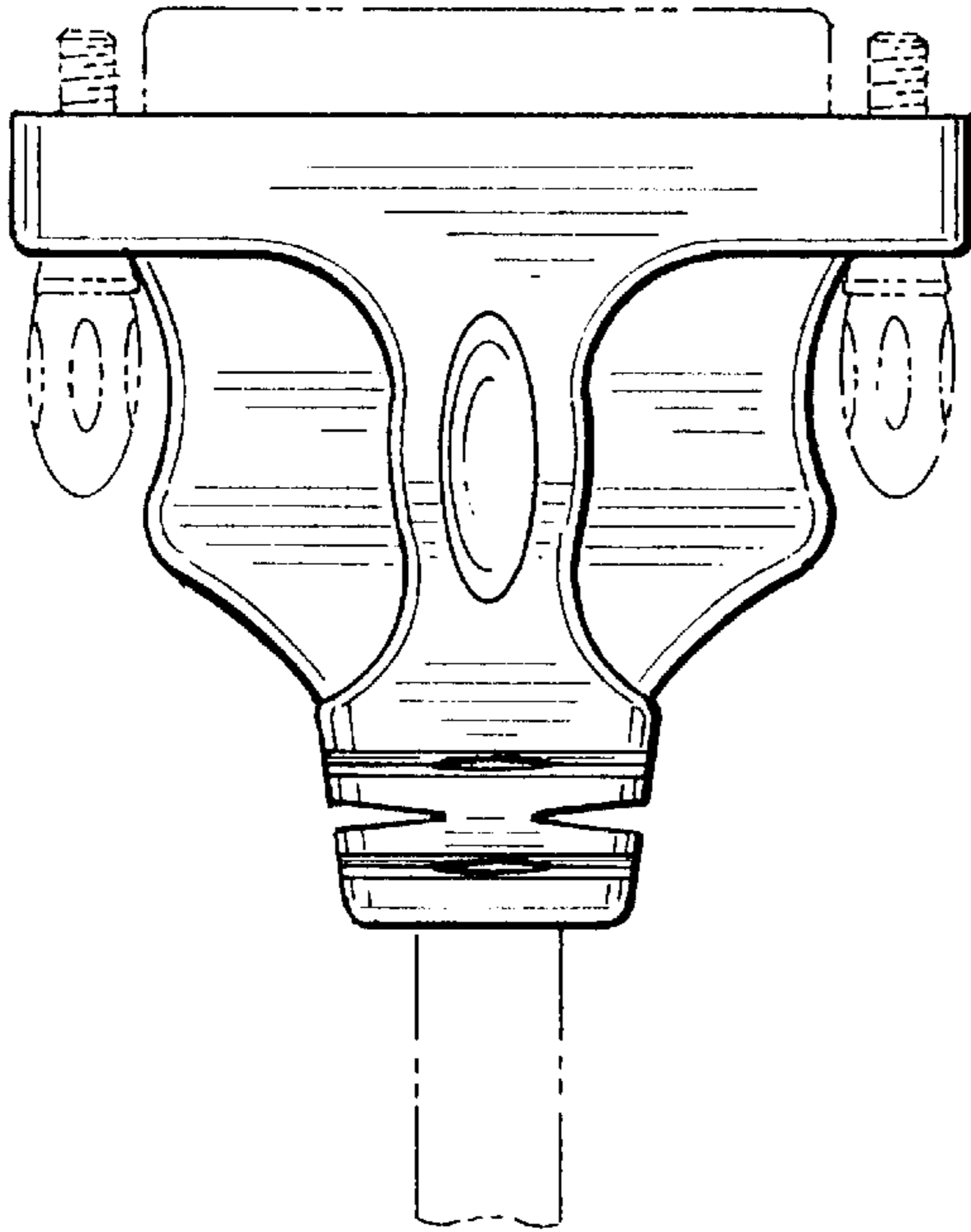


FIG. 1

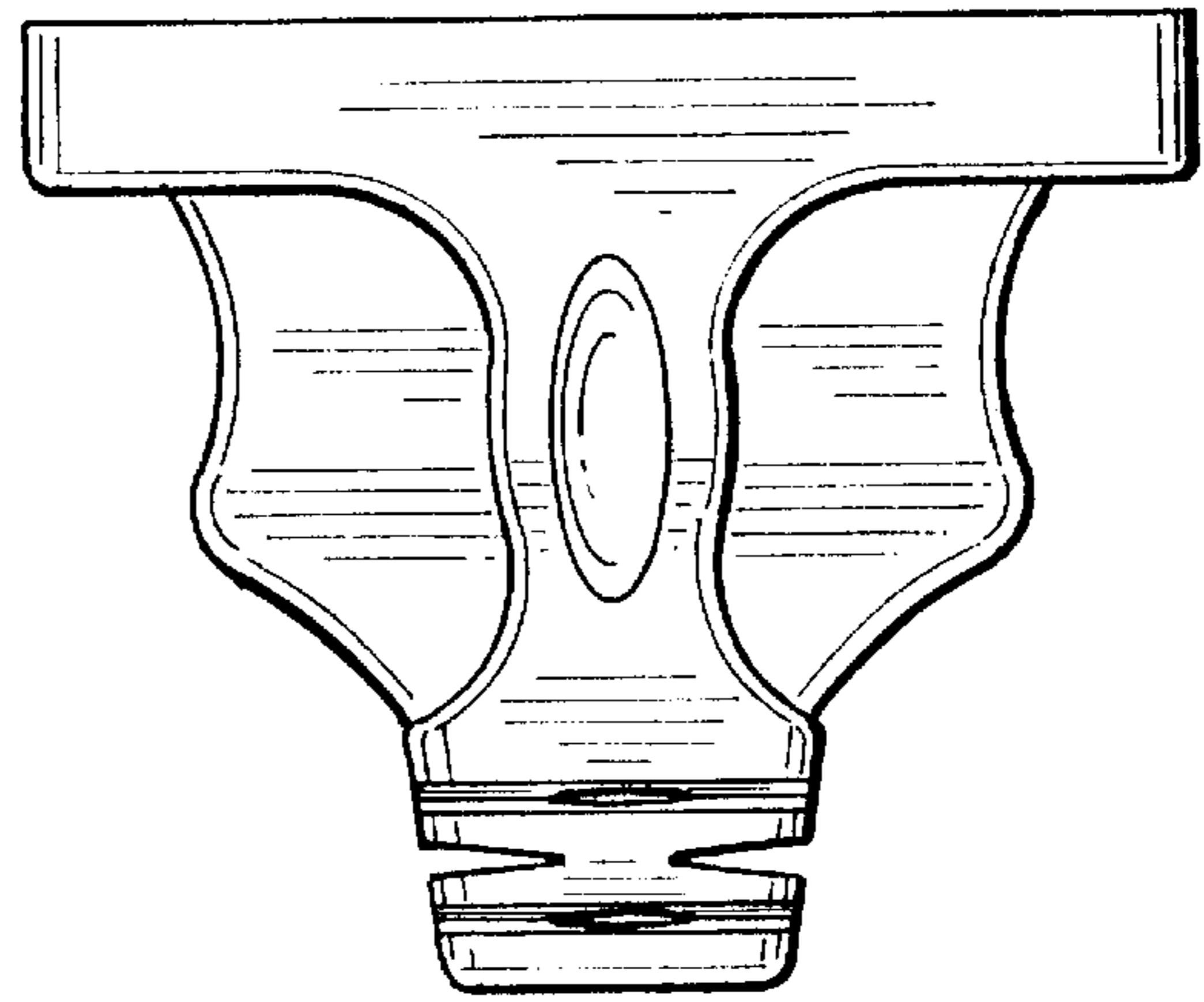


FIG. 2

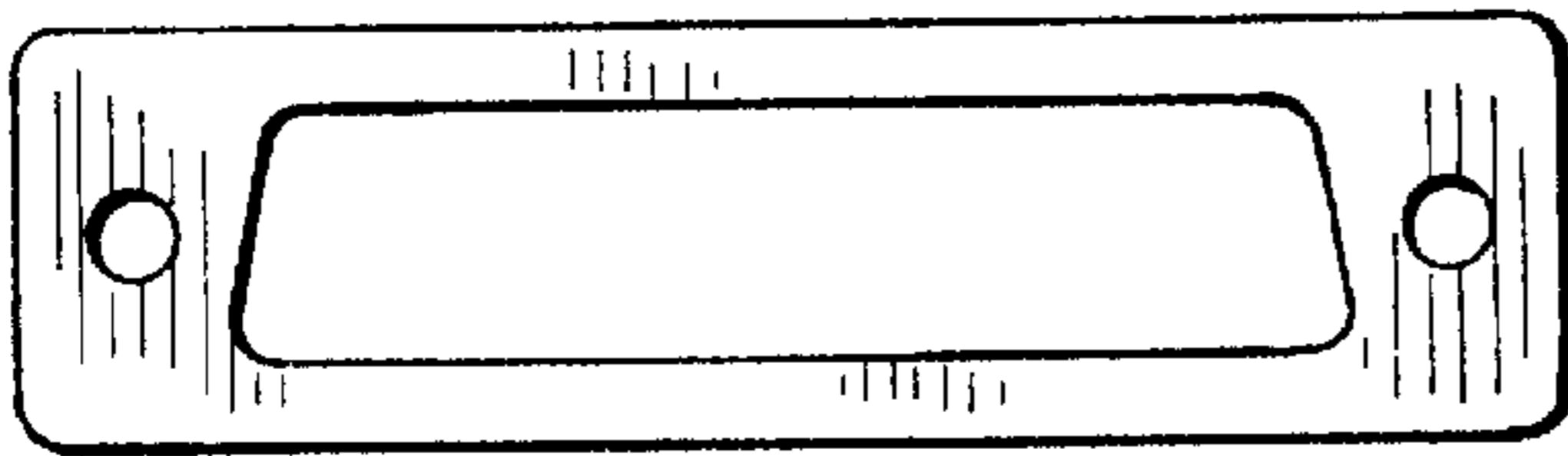


FIG. 3

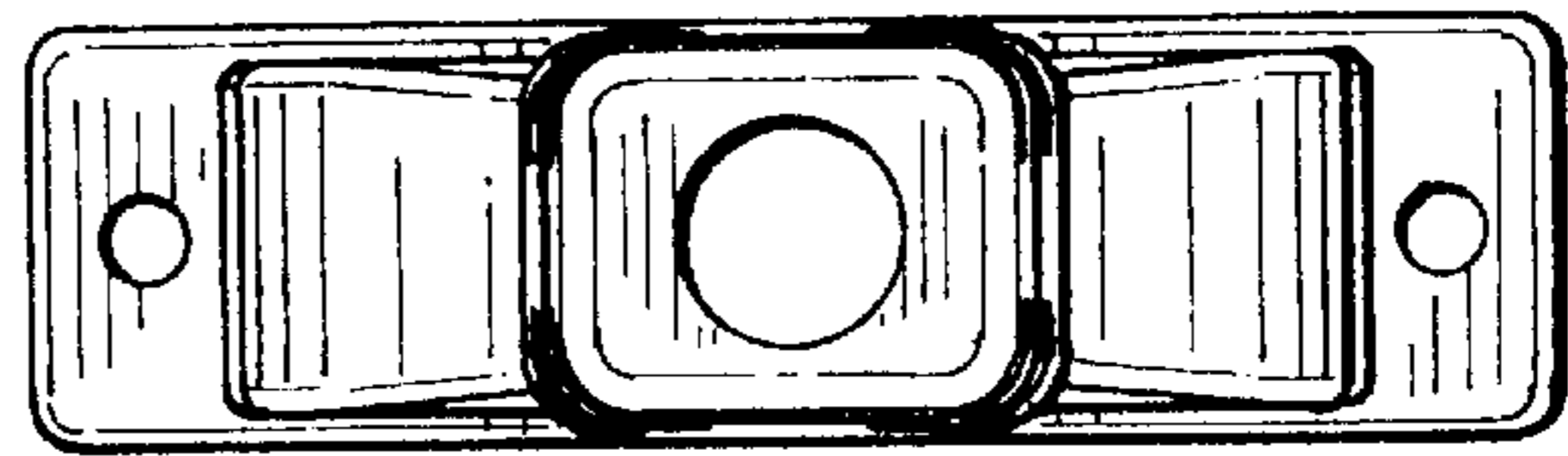


FIG. 4

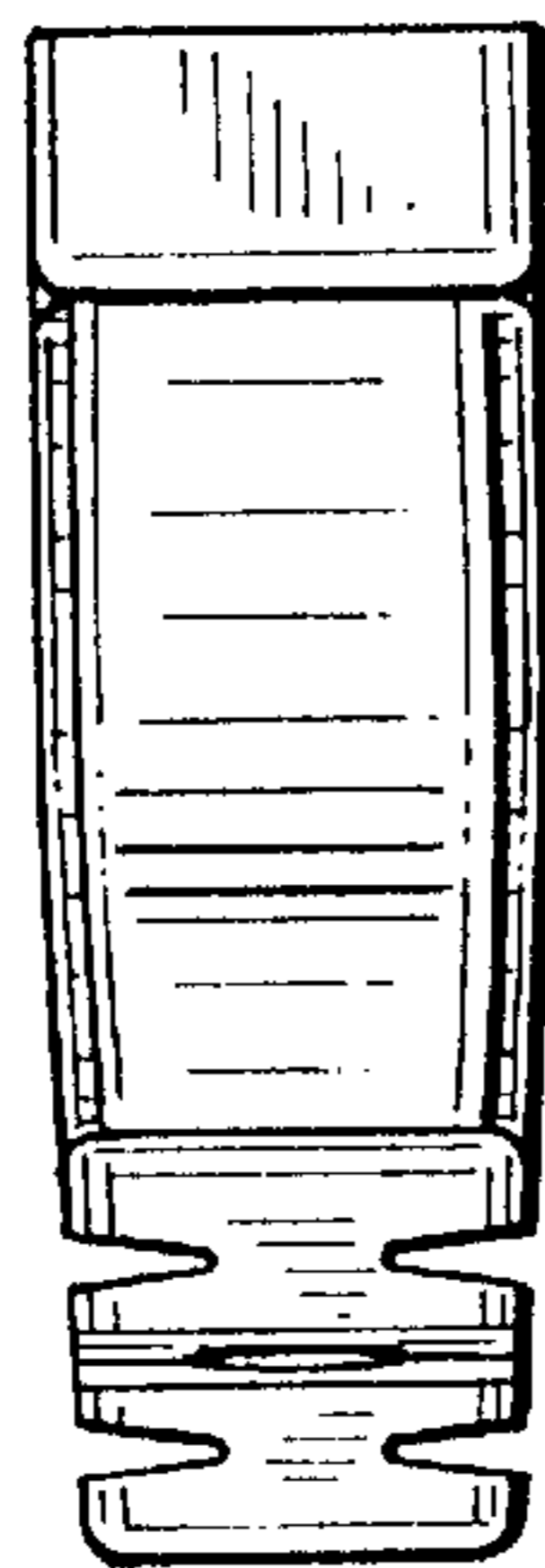


FIG. 5

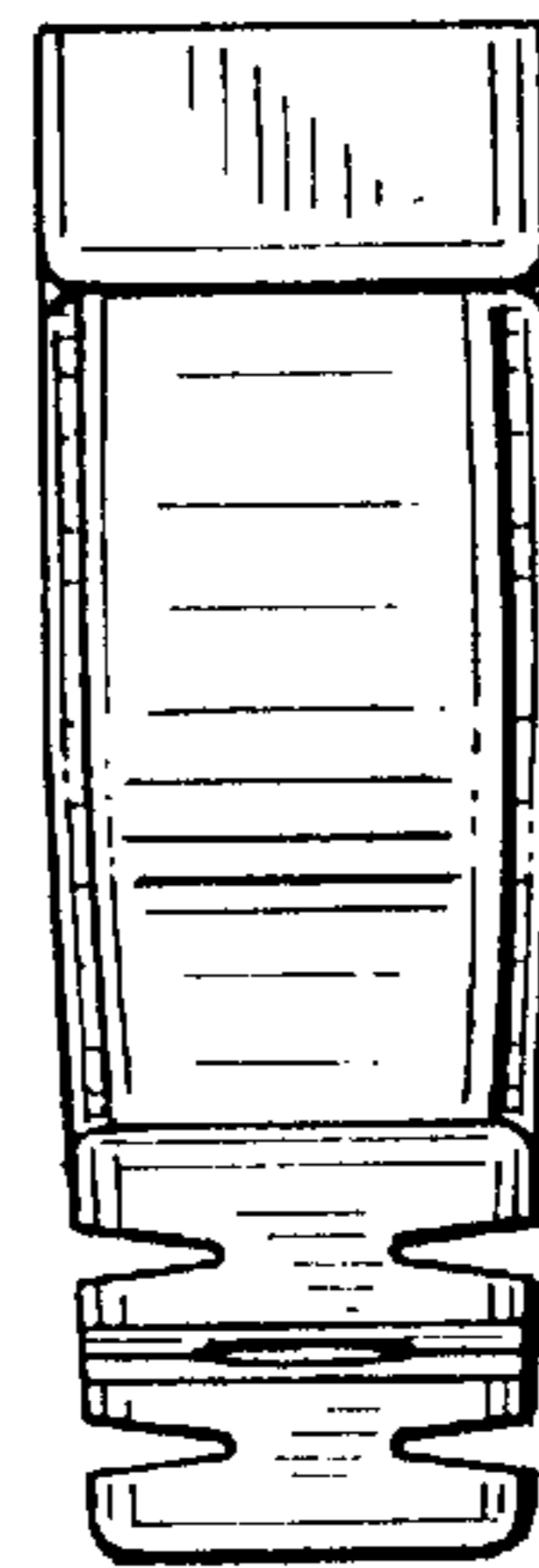


FIG. 6