



US00D443861S

(12) **United States Design Patent**  
**Ko et al.**

(10) **Patent No.:** **US D443,861 S**  
(45) **Date of Patent:** **\*\* Jun. 19, 2001**

(54) **POWER CONNECTOR**

(75) Inventors: **David Tso-Chin Ko**, Thousand Oaks;  
**Eric Juntwait**, Irvine, both of CA (US)

(73) Assignee: **Hon Hai Precision Ind. Co., Ltd.**,  
Taipei Hsien (TW)

(\*\*) Term: **14 Years**

(21) Appl. No.: **29/121,792**

(22) Filed: **Apr. 12, 2000**

(51) **LOC (7) Cl.** ..... **13-03**

(52) **U.S. Cl.** ..... **D13/147**

(58) **Field of Search** ..... D13/133, 146,  
D13/147; 439/79, 567, 573, 678, 679, 682

(56) **References Cited**

**U.S. PATENT DOCUMENTS**

- D. 407,689 \* 4/1999 Dague et al. .... D13/147
- D. 417,195 \* 11/1999 Dague et al. .... D13/147
- 5,443,403 \* 8/1995 Weidler et al. .... 439/701

- 5,549,480 \* 8/1996 Cheng ..... 439/79
- 5,584,728 \* 12/1996 Cheng ..... 439/637
- 6,017,250 \* 1/2000 Tsuji et al. .... 439/701
- 6,039,610 \* 3/2000 Pauza et al. .... 439/682

\* cited by examiner

*Primary Examiner*—Joel Sincavage

(74) *Attorney, Agent, or Firm*—Wei Te Chung

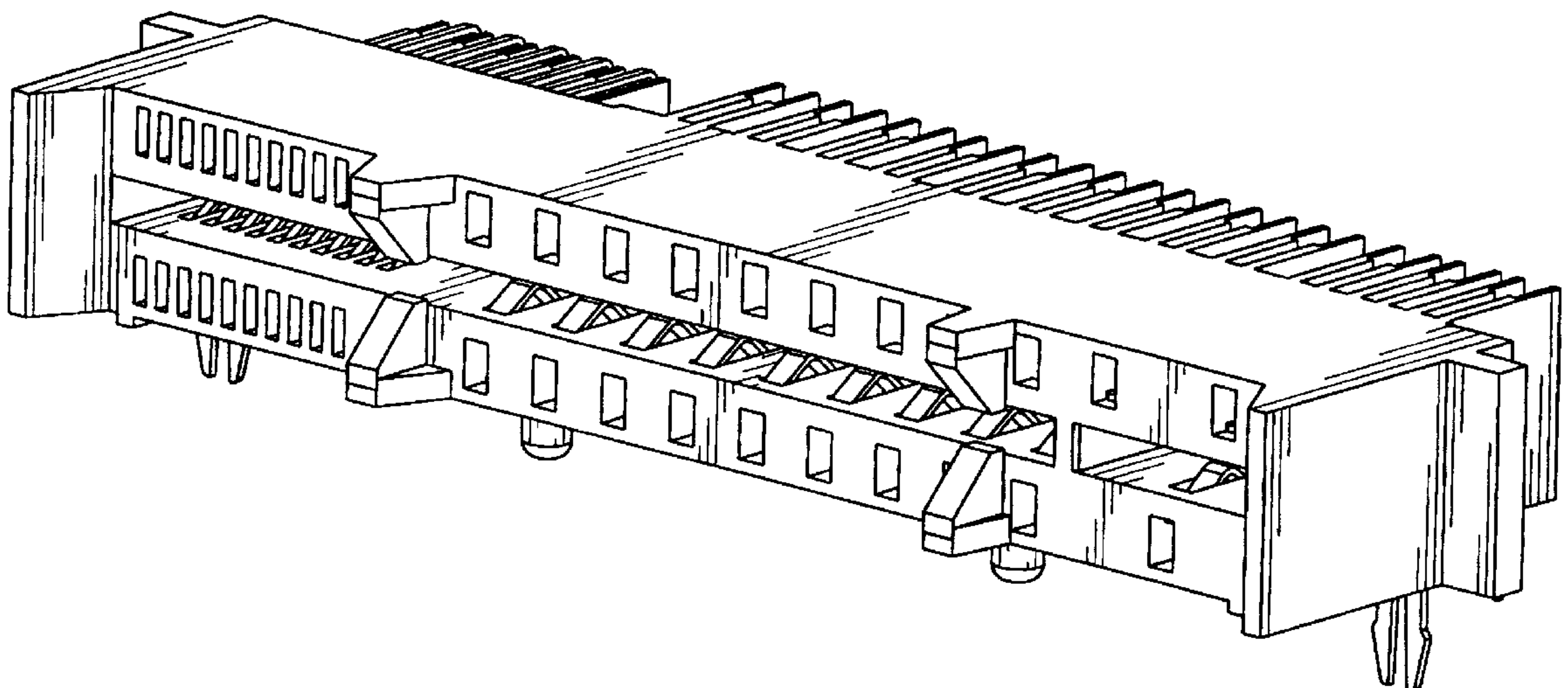
(57) **CLAIM**

The ornamental design for a power connector, as shown.

**DESCRIPTION**

FIG. 1 is a front, top and right side perspective view of a power connector showing our new design;  
 FIG. 2 is a front elevational view thereof;  
 FIG. 3 is a rear elevational view thereof;  
 FIG. 4 is a left side elevational view thereof;  
 FIG. 5 is a right side elevational view thereof;  
 FIG. 6 is a top plan view thereof; and,  
 FIG. 7 is a bottom plan view thereof.

**1 Claim, 7 Drawing Sheets**



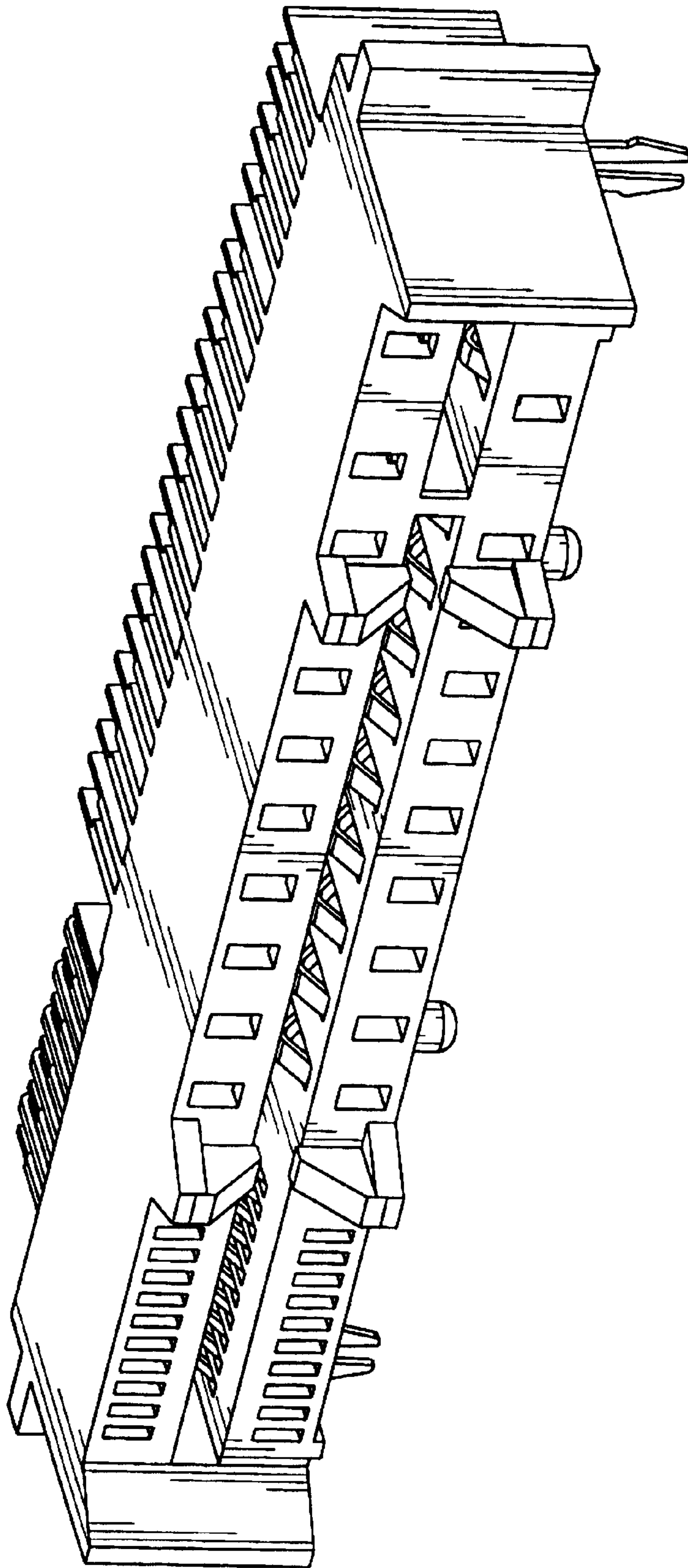


FIG. 1

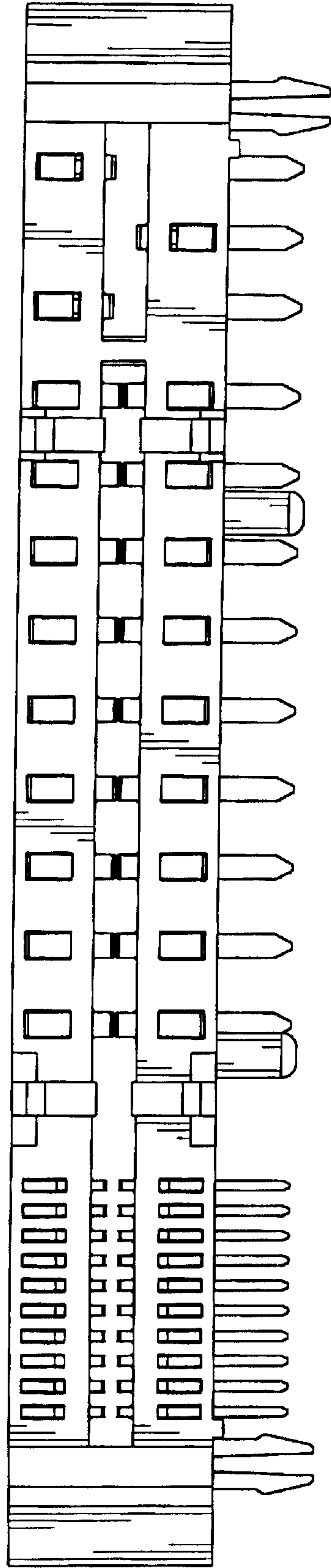


FIG. 2

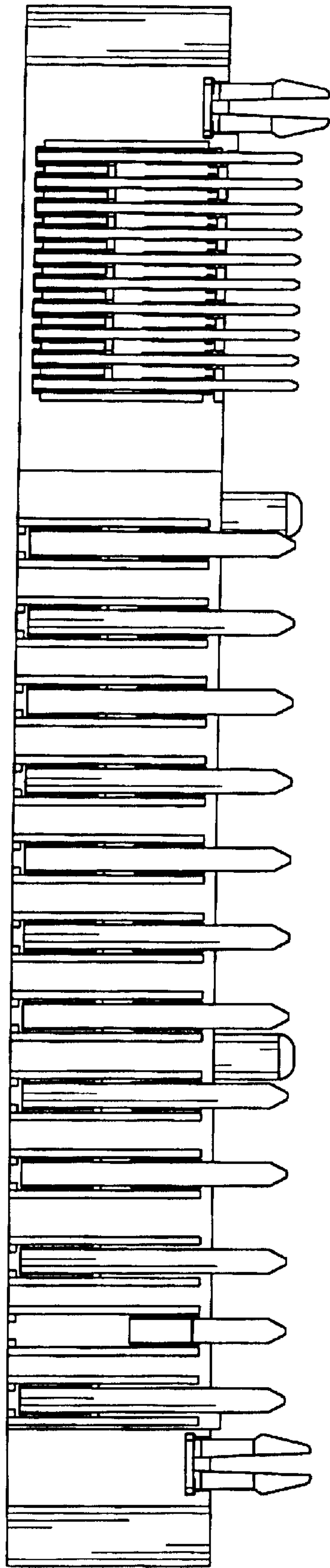


FIG. 3

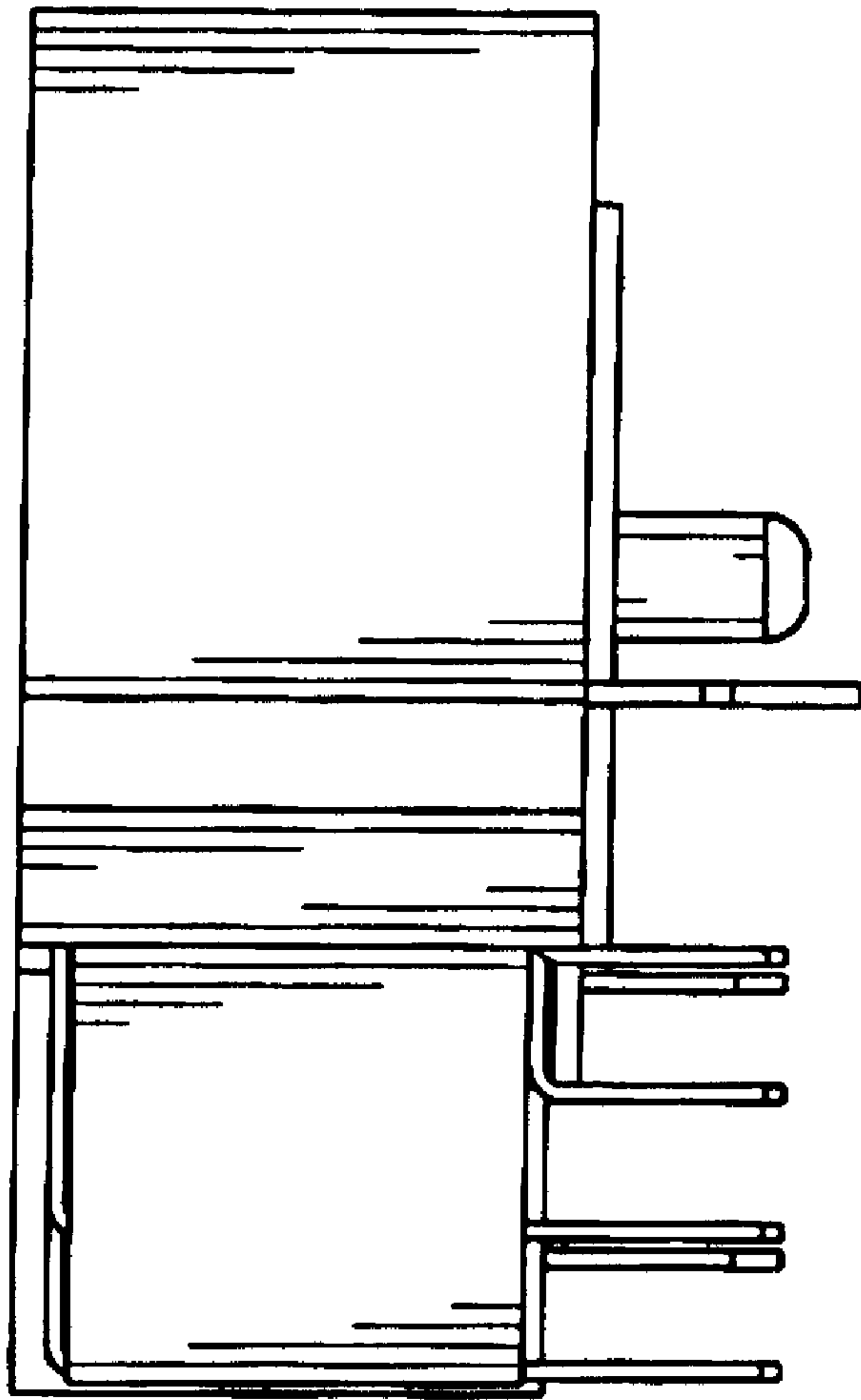


FIG. 4

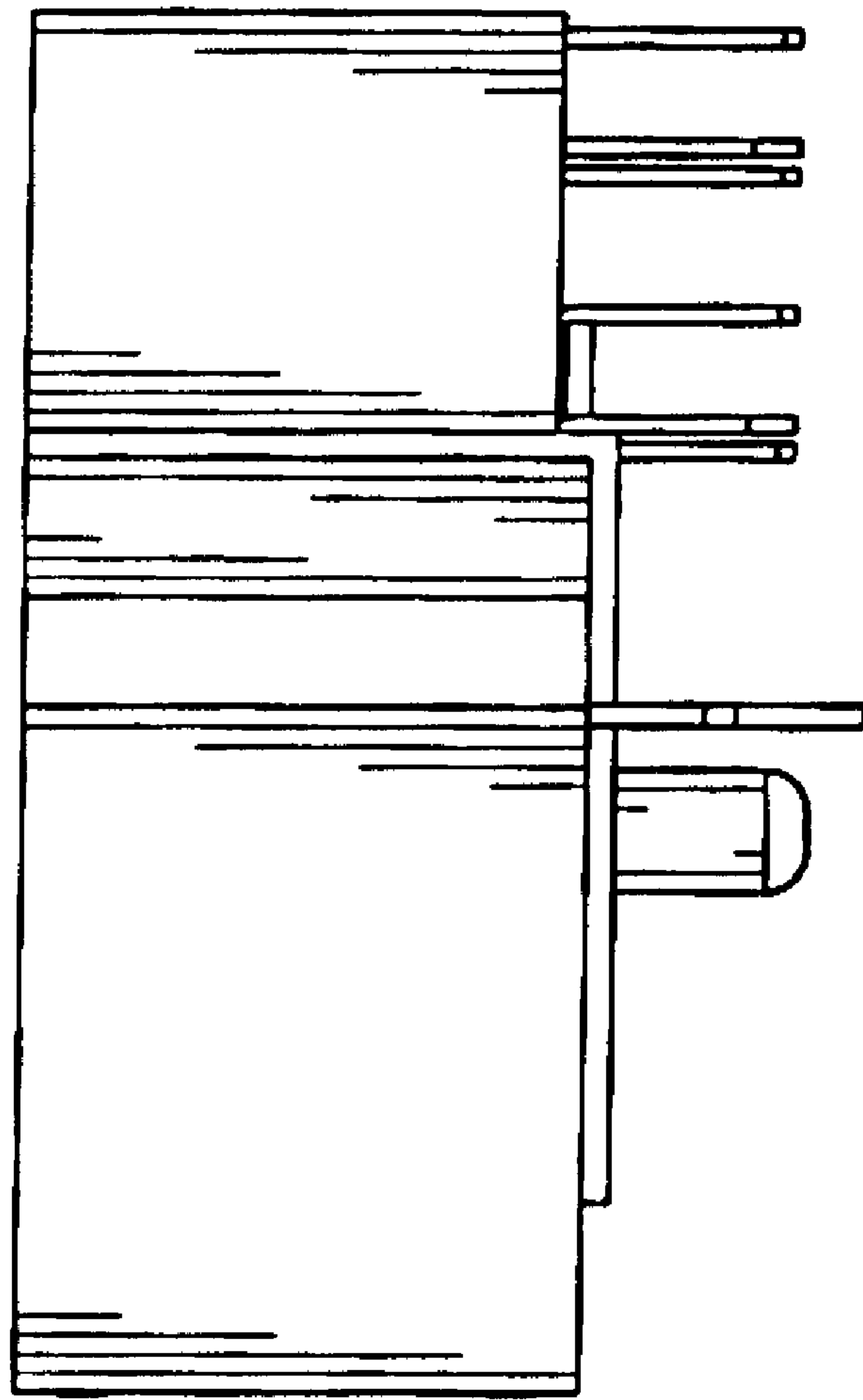


FIG. 5

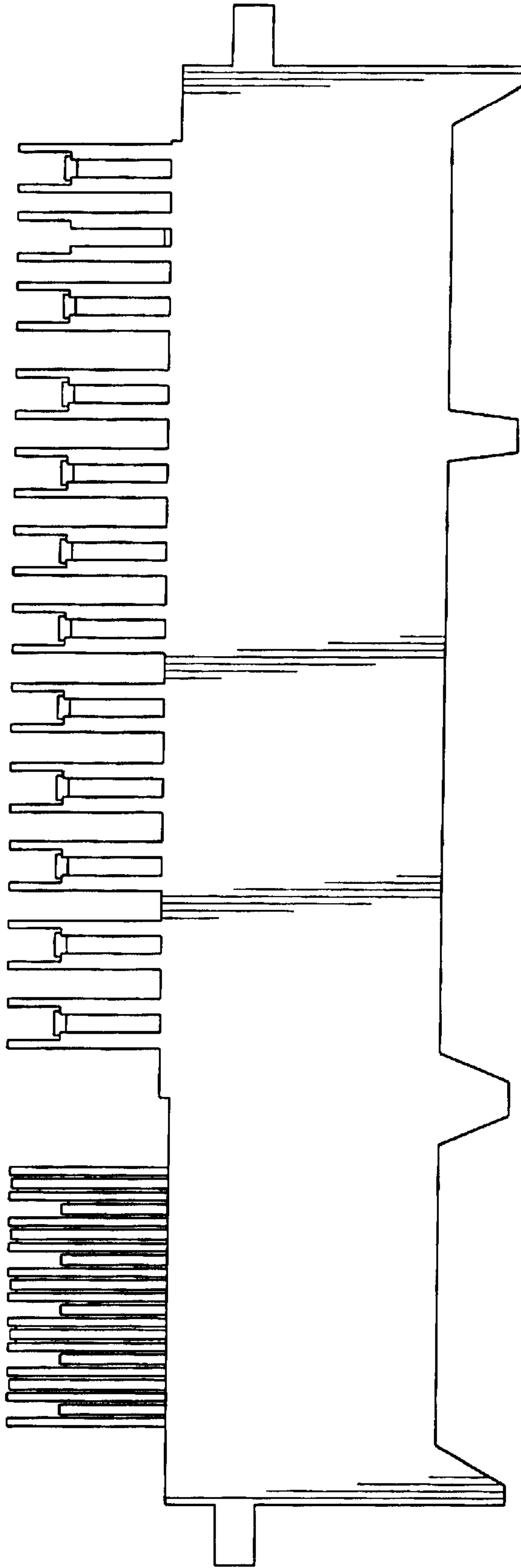


FIG. 6

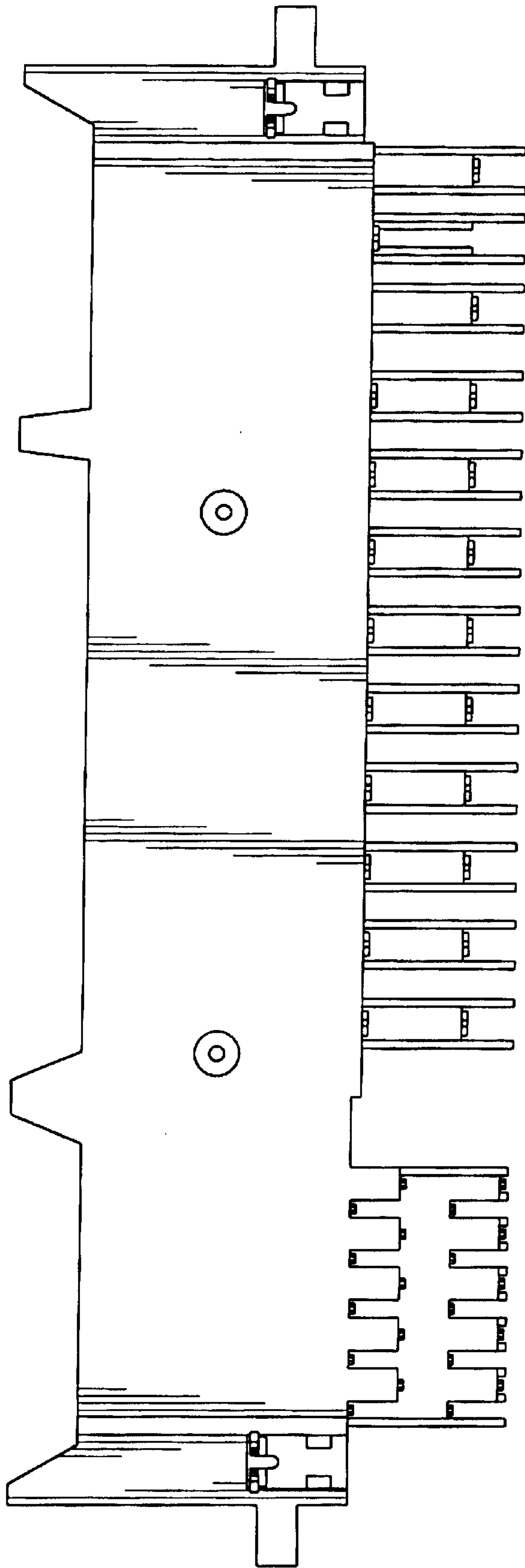


FIG. 7