



US00D443860S

(12) **United States Design Patent**  
**Ogasawara**

(10) **Patent No.:** **US D443,860 S**

(45) **Date of Patent:** **\*\* Jun. 19, 2001**

(54) **CONNECTOR FOR A COMPUTER**

(75) Inventor: **Shinichi Ogasawara**, Tokyo (JP)

(73) Assignee: **Sony Corporation**, Tokyo (JP)

(\*\*) Term: **14 Years**

(21) Appl. No.: **29/113,712**

(22) Filed: **Nov. 12, 1999**

(30) **Foreign Application Priority Data**

May 13, 1999 (JP) ..... 11-12436

(51) **LOC (7) Cl.** ..... **13-03**

(52) **U.S. Cl.** ..... **D13/146**

(58) **Field of Search** ..... D13/146, 147;  
D14/356; 361/681-686

(56) **References Cited**

**U.S. PATENT DOCUMENTS**

D. 413,574	9/1999	Goto	.....	D13/146	
D. 420,336	*	2/2000	Tanaka	.....	D13/147 X
5,030,128	*	7/1991	Herron et al.	.....	439/372
5,117,378	*	5/1992	Ho	.....	361/686
6,023,411	*	2/2000	Howell et al.	.....	361/686

**OTHER PUBLICATIONS**

Catalog; "Digital HiNote VP 500 Series"; Digital; 4 sheets.

Catalog; Sanyo Winkey; Sanyo; Mar. 1997; 6 sheets.

Catalog; "Sony Vaio"; Sony; May 1998; p. 7.

\* cited by examiner

*Primary Examiner*—Joel Sincavage

(74) *Attorney, Agent, or Firm*—Rader, Fishman & Grauer

(57) **CLAIM**

The ornamental design for a connector for a computer, as shown and described.

**DESCRIPTION**

FIG. 1 is a perspective view of a connector for a computer showing my new design;

FIG. 2 is a top plan view thereof;

FIG. 3 is a left side elevational view thereof;

FIG. 4 is a front elevational view thereof;

FIG. 5 is a bottom plan view thereof;

FIG. 6 is a right side elevational view thereof; and,

FIG. 7 is a rear elevational view thereof.

**1 Claim, 4 Drawing Sheets**

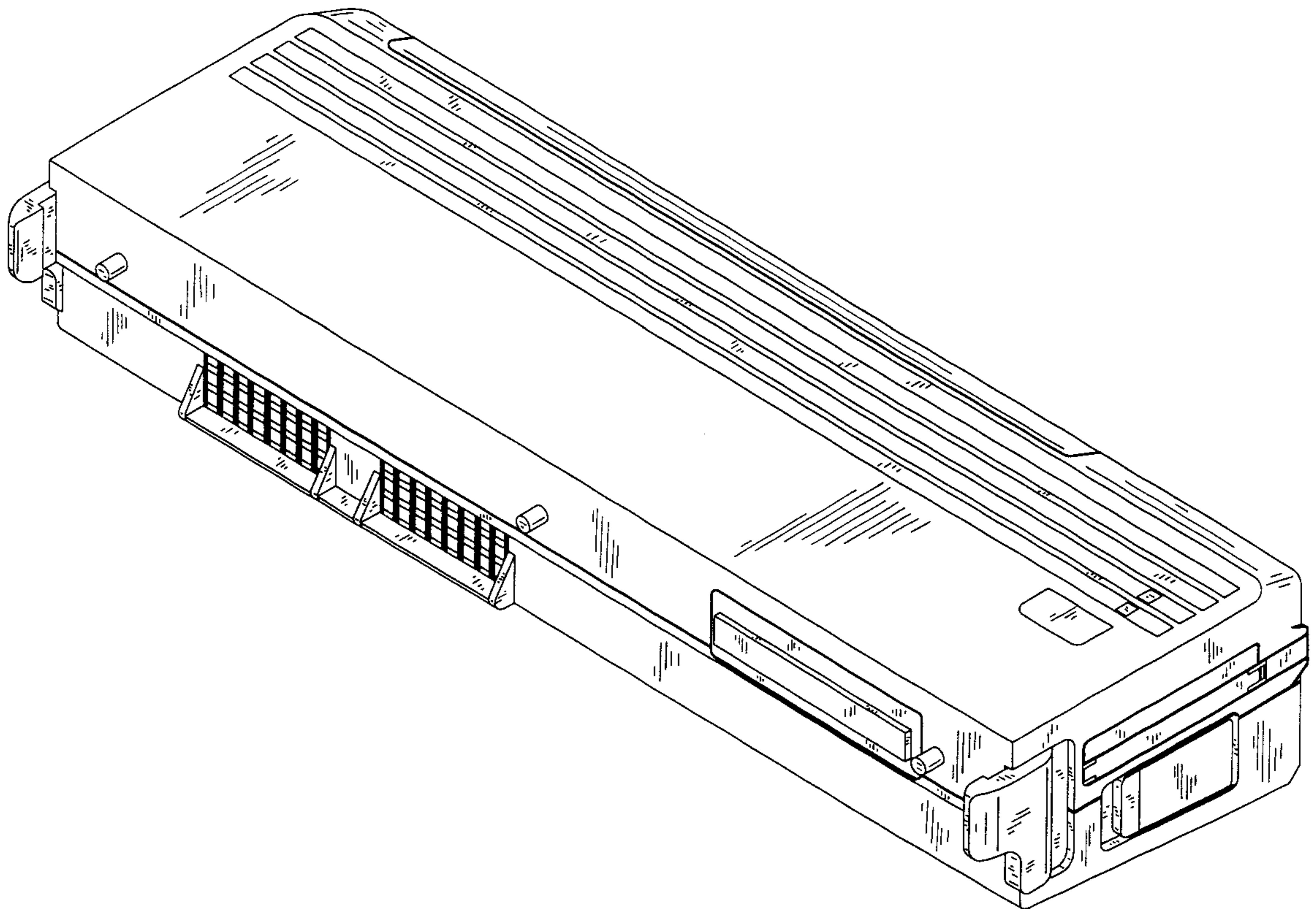


FIG. 1

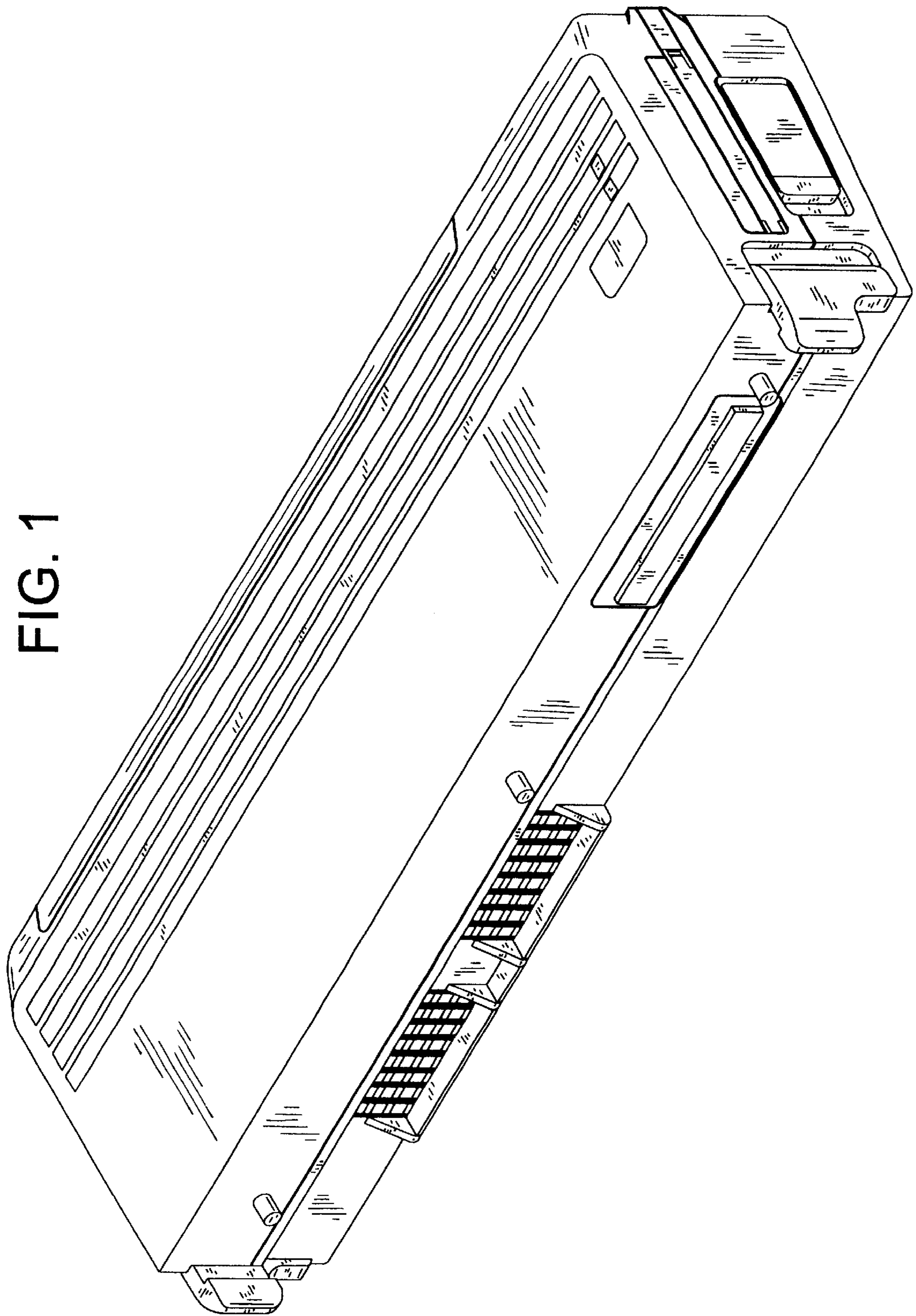


FIG. 2

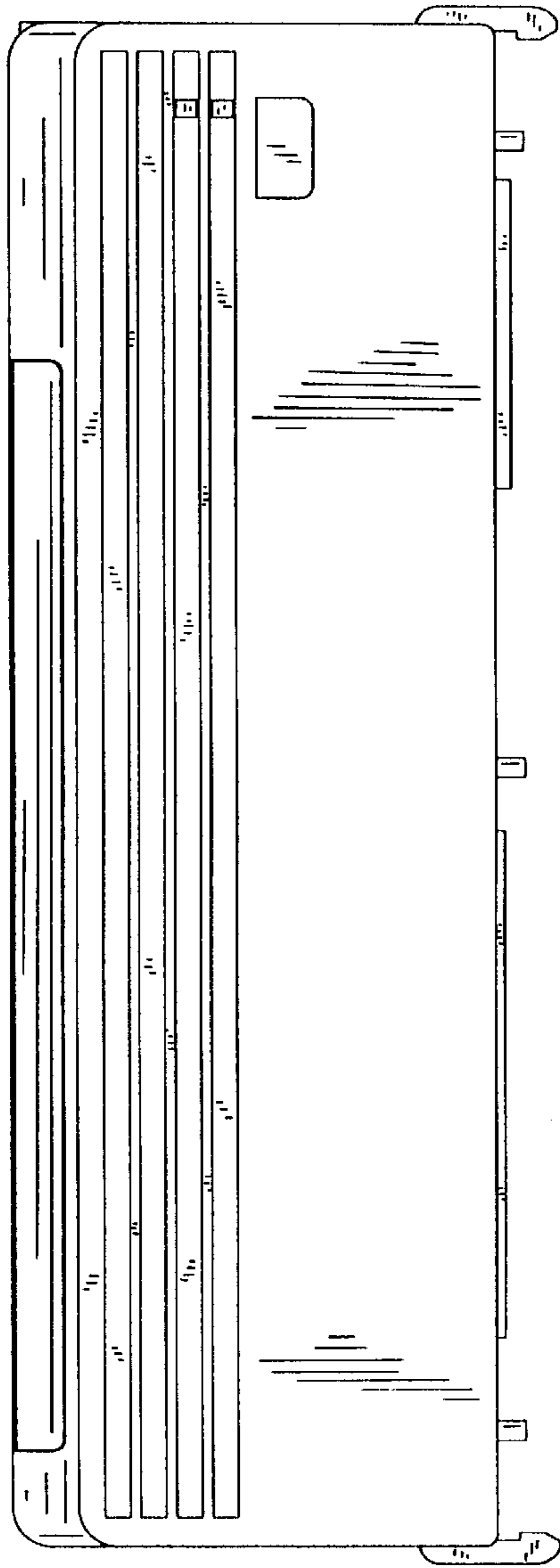


FIG. 5

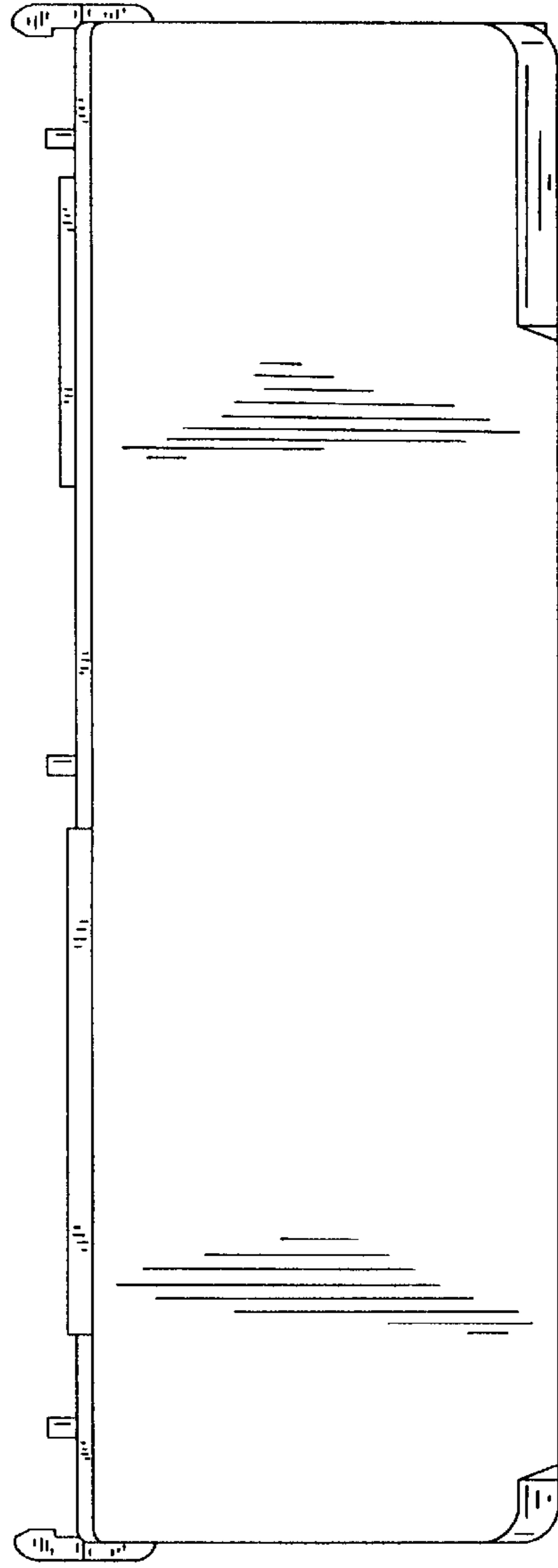


FIG. 3

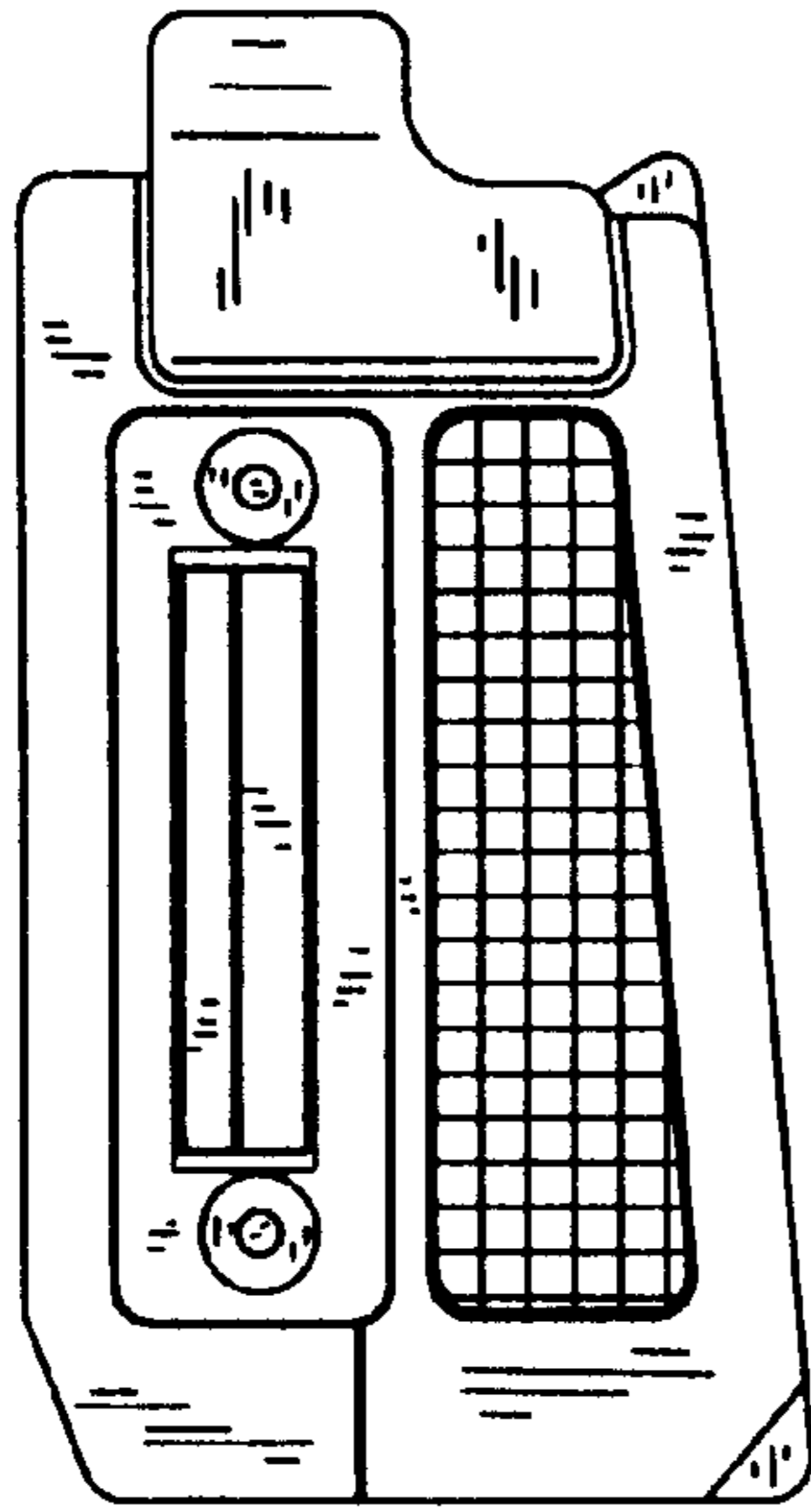


FIG. 4

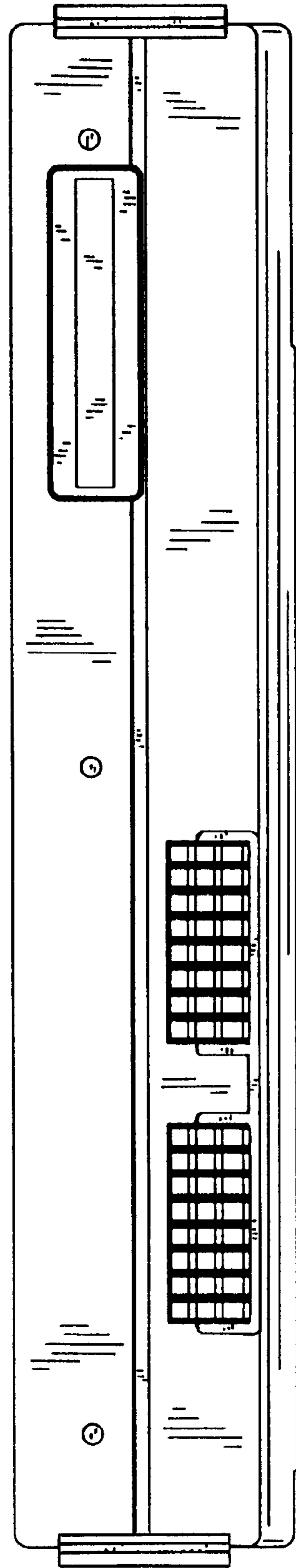


FIG. 6

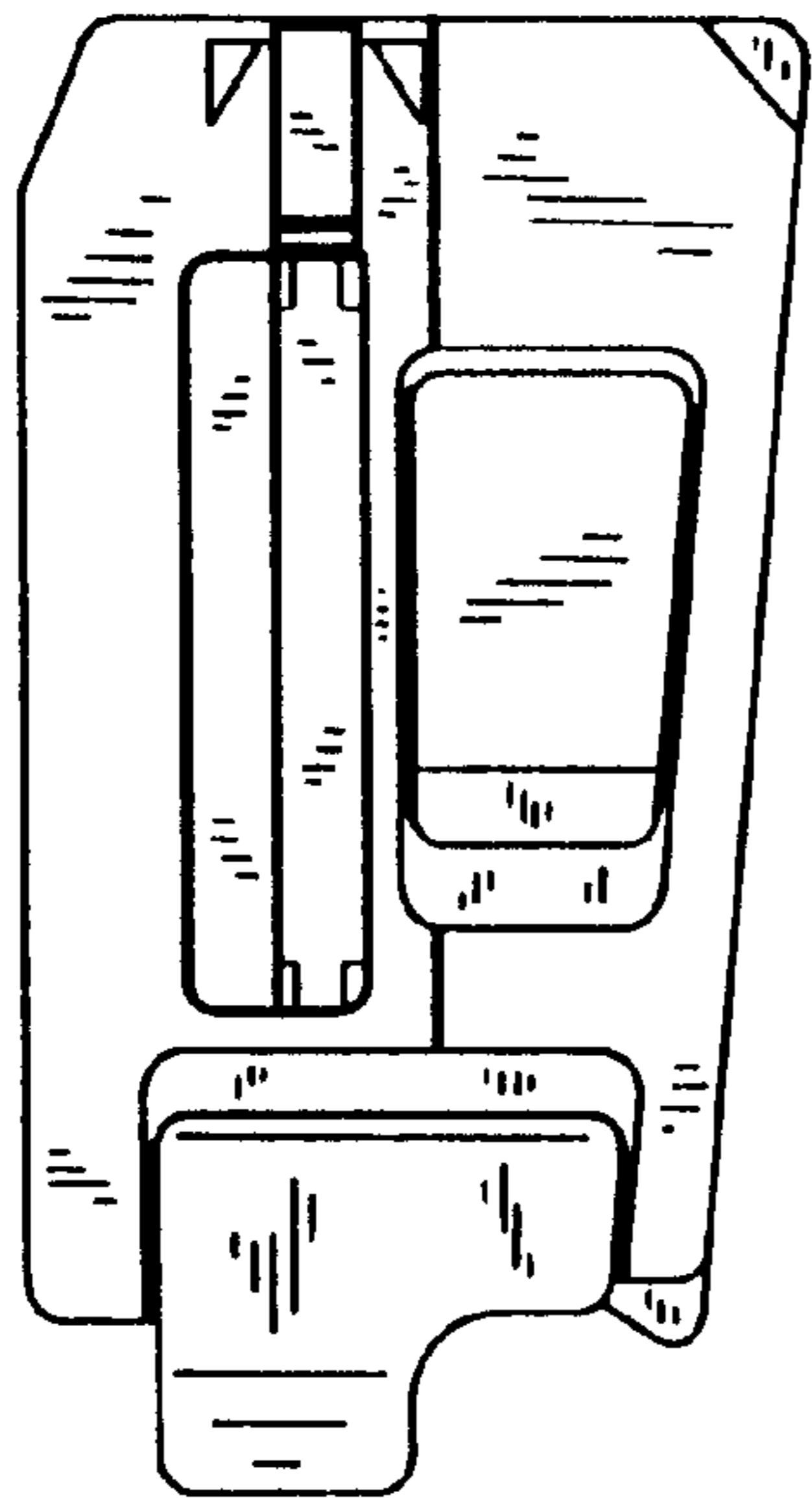


FIG. 7

