



US00D443857S

(12) **United States Design Patent**
Kwalick, Jr.

(10) **Patent No.:** **US D443,857 S**

(45) **Date of Patent:** **** Jun. 19, 2001**

(54) **VOLTAGE CONVERTER CASE**

(76) **Inventor:** **Thaddeus J. Kwalick, Jr., 755 Purdue Ct., Santa Clara, CA (US) 95051**

(**) **Term:** **14 Years**

(21) **Appl. No.:** **29/133,407**

(22) **Filed:** **Nov. 30, 2000**

(51) **LOC (7) Cl.** **13-02**

(52) **U.S. Cl.** **D13/110; D13/124**

(58) **Field of Search** **D13/110, 123, D13/152, 162, 184, 124; 307/150; 174/51, 52.1, 60, 65 R**

(56) **References Cited**

U.S. PATENT DOCUMENTS

D. 273,783	*	5/1984	Holce et al.	D13/184
D. 433,993	*	11/2000	Tang	D13/110
1,927,780	*	9/1933	Anderson	292/251
3,748,538	*	7/1973	Shekerjian et al.	174/52.2
3,927,249	*	12/1975	Pearse	174/51
4,090,091	*	5/1978	Brown et al.	307/116

4,620,061	*	10/1986	Appleton	174/51
4,741,709	*	5/1988	Jervis	439/521
5,352,850	*	10/1994	Norris	174/51
5,774,353	*	6/1998	Wieloch	363/146
6,108,202	*	8/2000	Sumida	361/690

* cited by examiner

Primary Examiner—Joel Sincavage

(74) *Attorney, Agent, or Firm*—Burns Doane Swecker & Mathis LLP

(57) **CLAIM**

The ornamental design for a voltage converter case, as shown and described.

DESCRIPTION

FIG. 1 is a perspective view of the voltage converter case showing my new design;

FIG. 2 is a top plan view thereof;

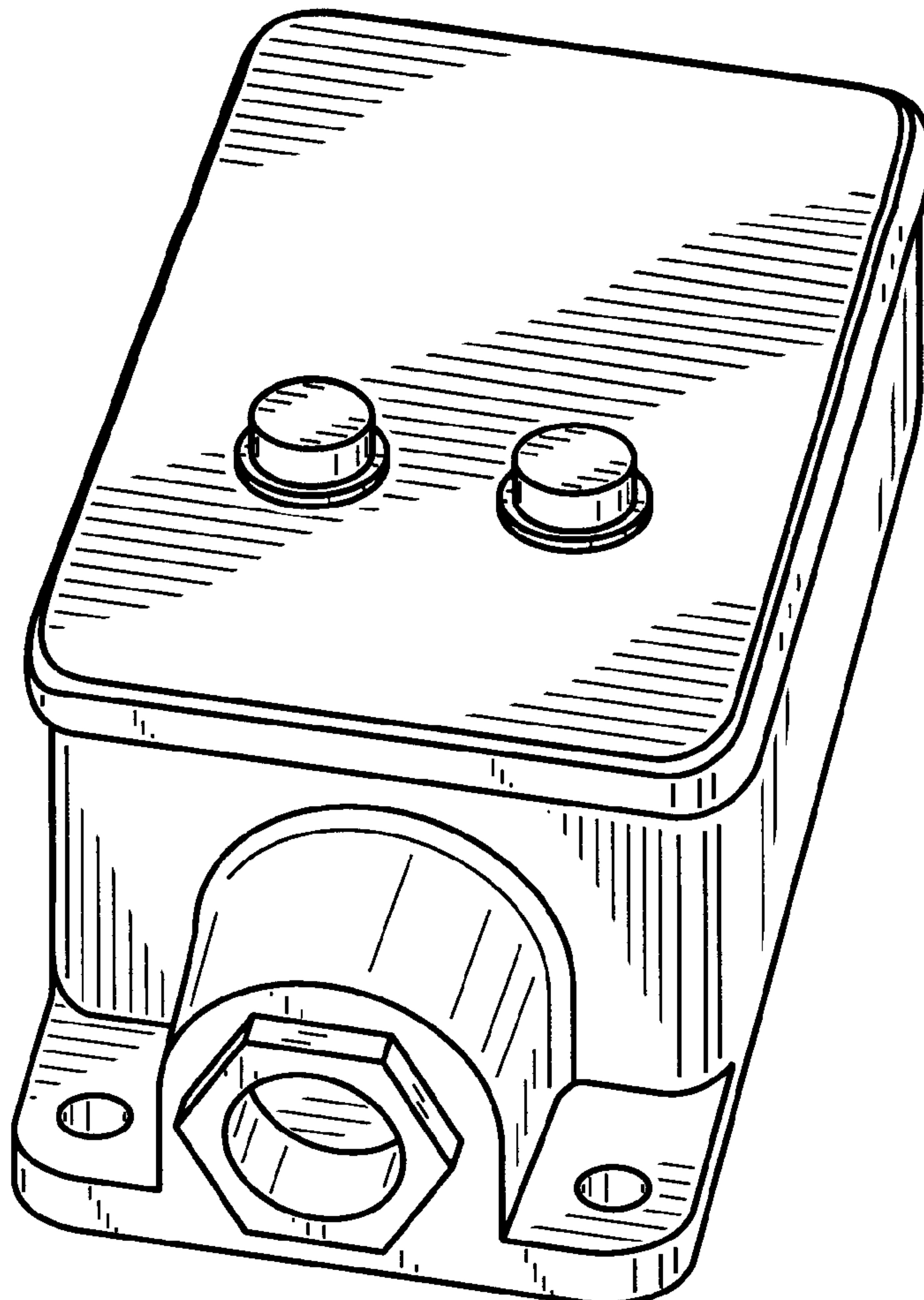
FIG. 3 is a left elevational view thereof;

FIG. 4 is a bottom plan view thereof;

FIG. 5 is a front elevational view thereof; and,

FIG. 6 is a back elevational view thereof.

1 Claim, 2 Drawing Sheets



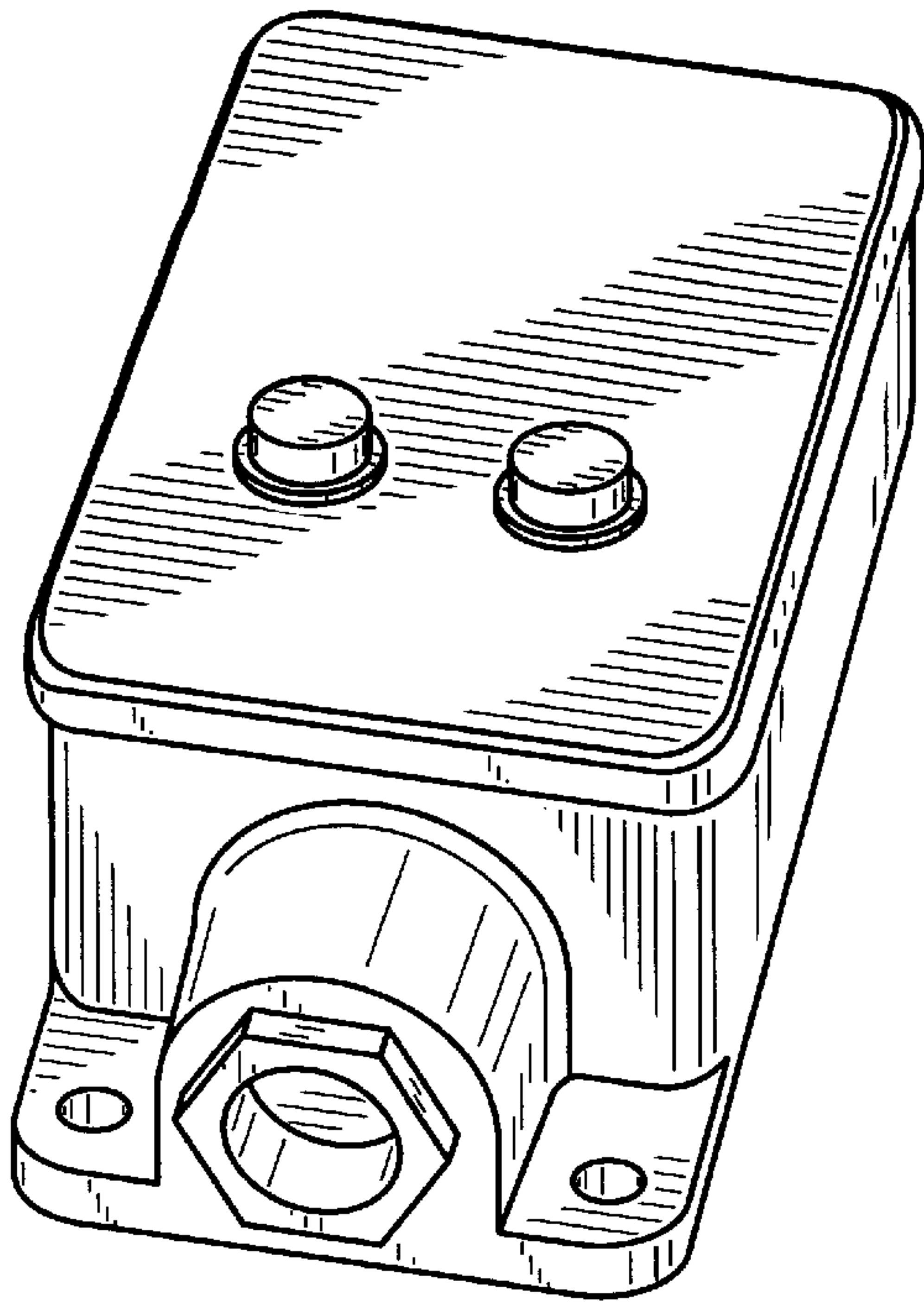


FIG._1

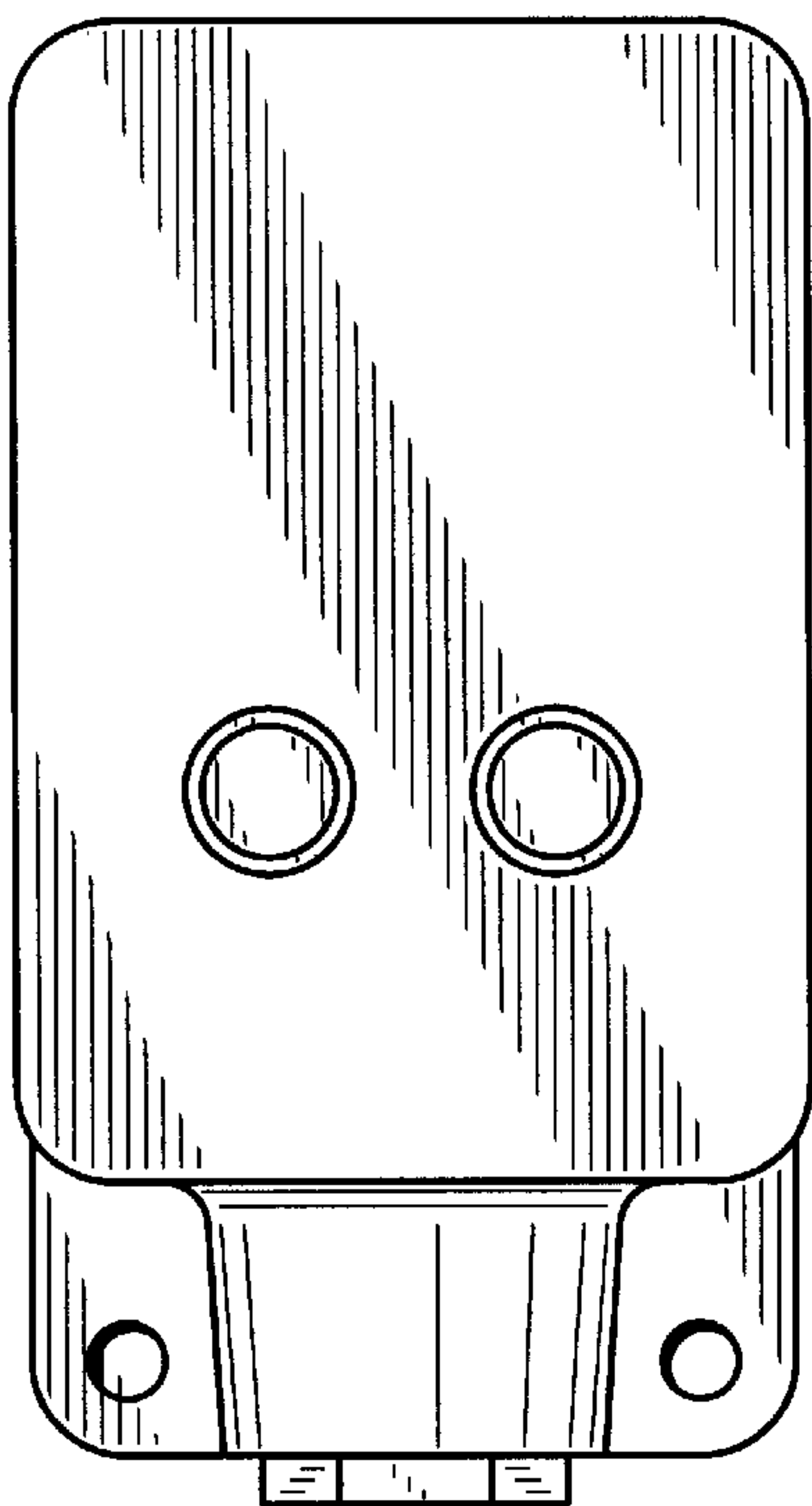


FIG._2

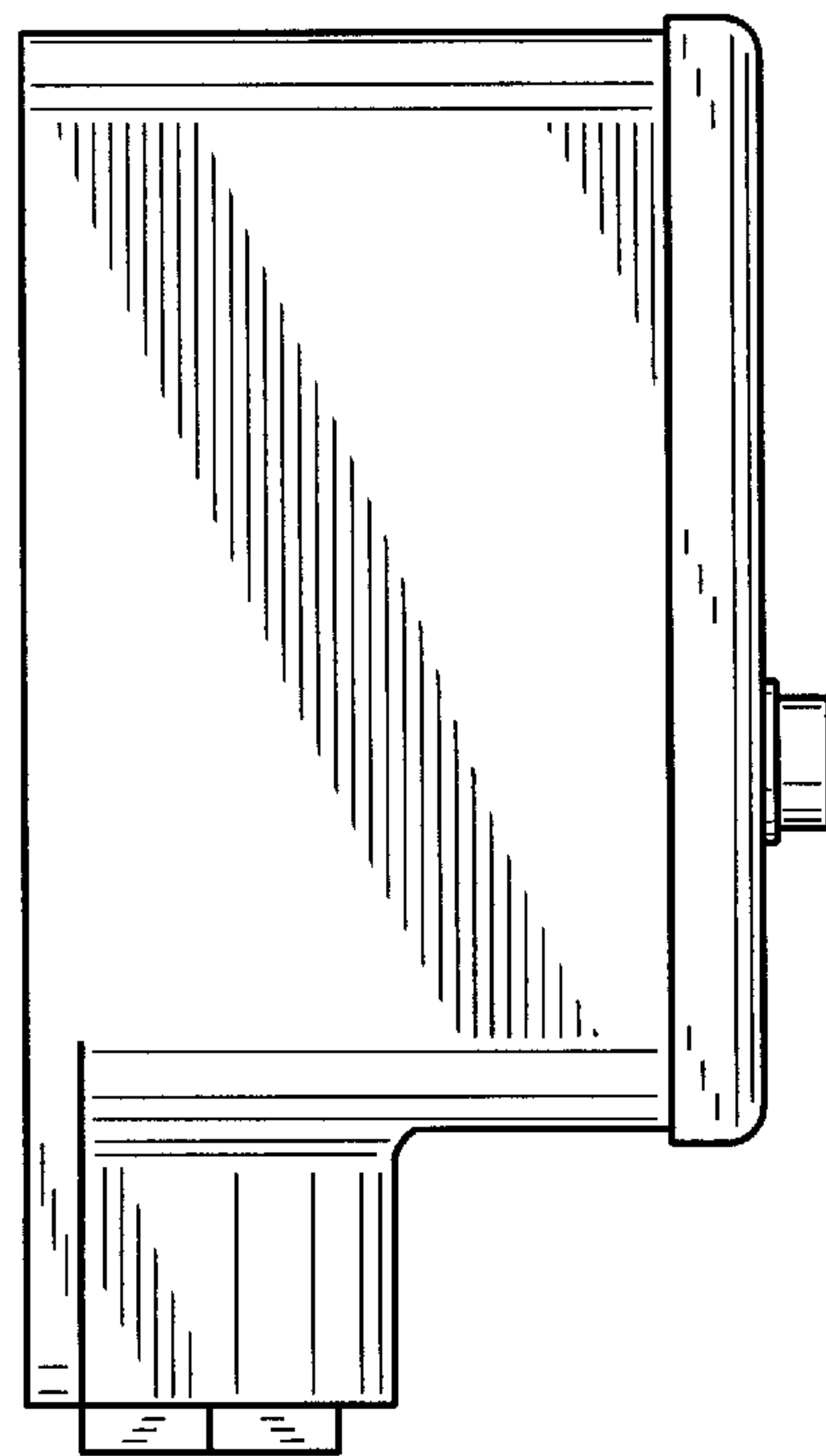


FIG._3

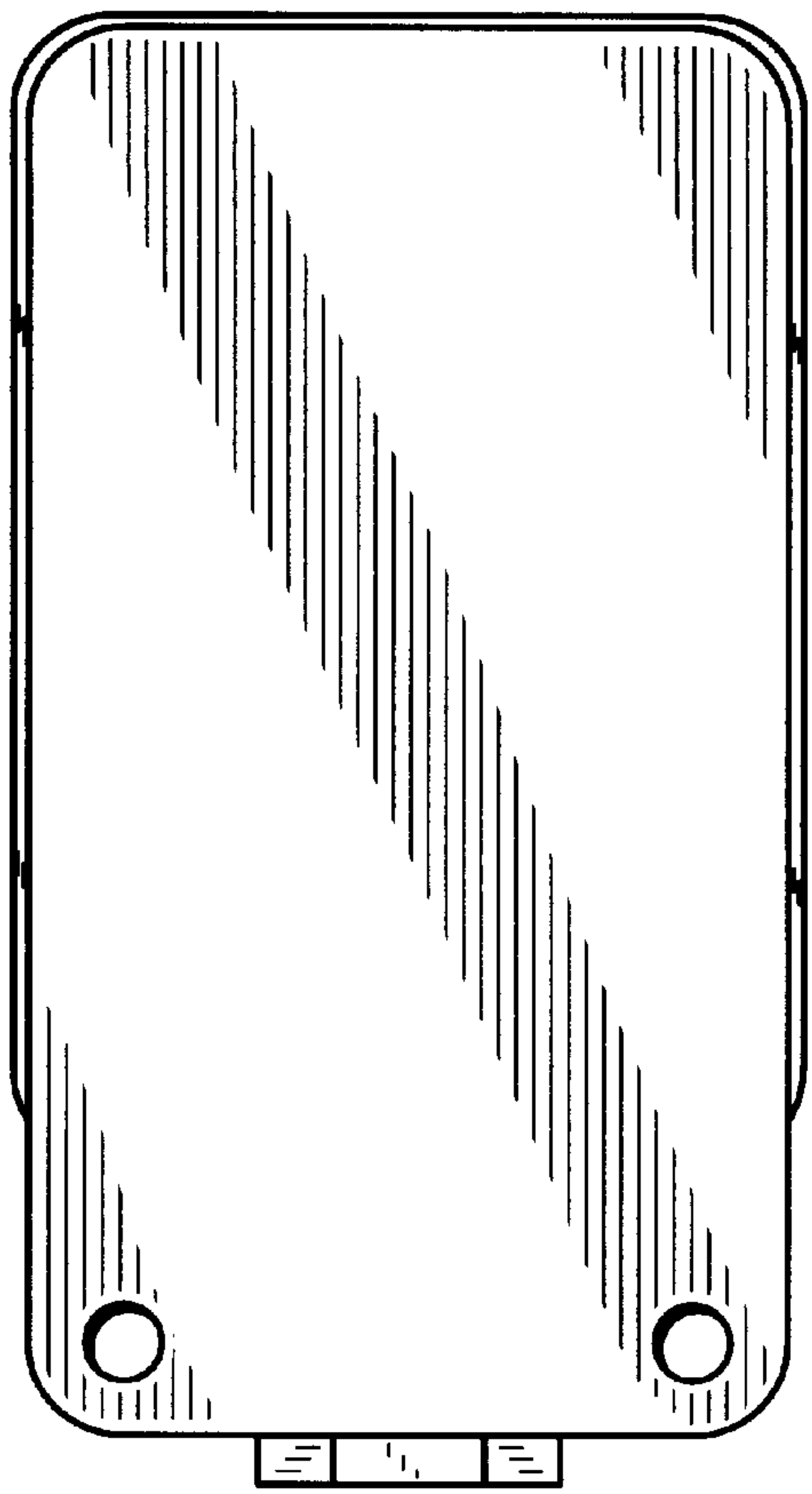


FIG._4

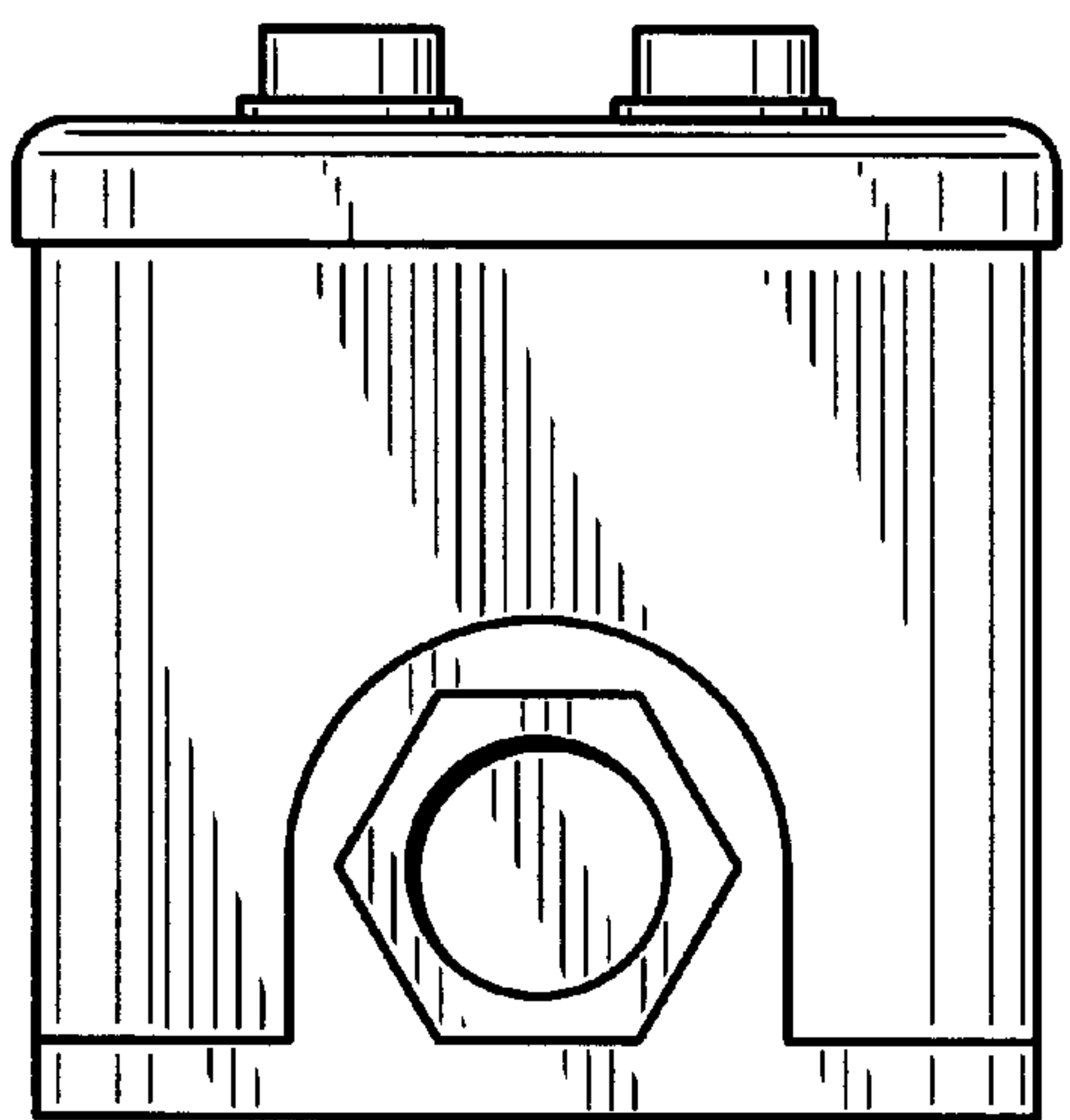


FIG._5

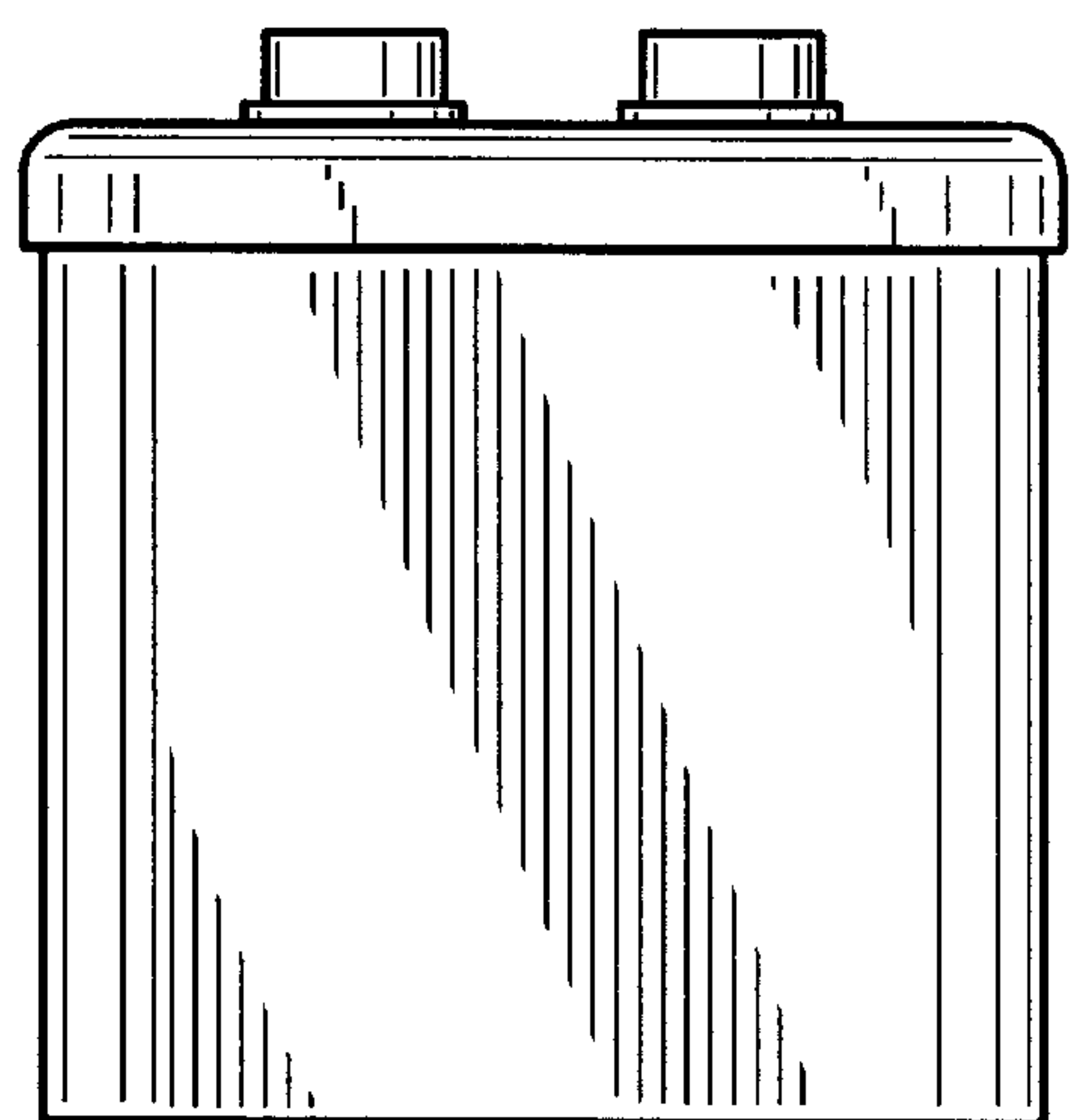


FIG._6