



US00D443856S

(12) **United States Design Patent**
Lehtovaara

(10) **Patent No.:** **US D443,856 S**

(45) **Date of Patent:** **** Jun. 19, 2001**

(54) **BATTERY CHARGER**

(75) Inventor: **Sami Lehtovaara**, Turku (FI)

(73) Assignee: **Nokia Mobile Phones Ltd.**, Espoo (FI)

(**) Term: **14 Years**

(21) Appl. No.: **29/128,181**

(22) Filed: **Aug. 18, 2000**

(30) **Foreign Application Priority Data**

Feb. 18, 2000 (FI) M-20000108

(51) **LOC (7) Cl.** **13-02**

(52) **U.S. Cl.** **D13/107**

(58) **Field of Search** D13/107, 108;
D14/251, 253; 320/107-115

(56) **References Cited**

U.S. PATENT DOCUMENTS

- D. 348,427 * 7/1994 Ohmaki et al. D13/107
- D. 400,165 * 10/1998 Nagele et al. D13/108

D. 400,498 * 11/1998 Page et al. D13/107

* cited by examiner

Primary Examiner—Joel Sincavage

(74) *Attorney, Agent, or Firm*—Brian T. Rivers; Jubin Dana

(57) **CLAIM**

Applicant claims the ornamental design for a battery charger, as shown and described.

DESCRIPTION

FIG. 1 is a front view of the battery charger;
 FIG. 2 is a left side view thereof;
 FIG. 3 is a top plan view thereof;
 FIG. 4 is a right side view thereof;
 FIG. 5 is a rear view thereof;
 FIG. 6 is a bottom plan view thereof;
 FIG. 7 is a perspective front view (closed position) thereof;
 FIG. 8 is a perspective front view (open position) thereof;
 FIG. 9 is a perspective front view (open position) thereof;
 and,
 FIG. 10 is a perspective rear view (open position) thereof.

1 Claim, 3 Drawing Sheets

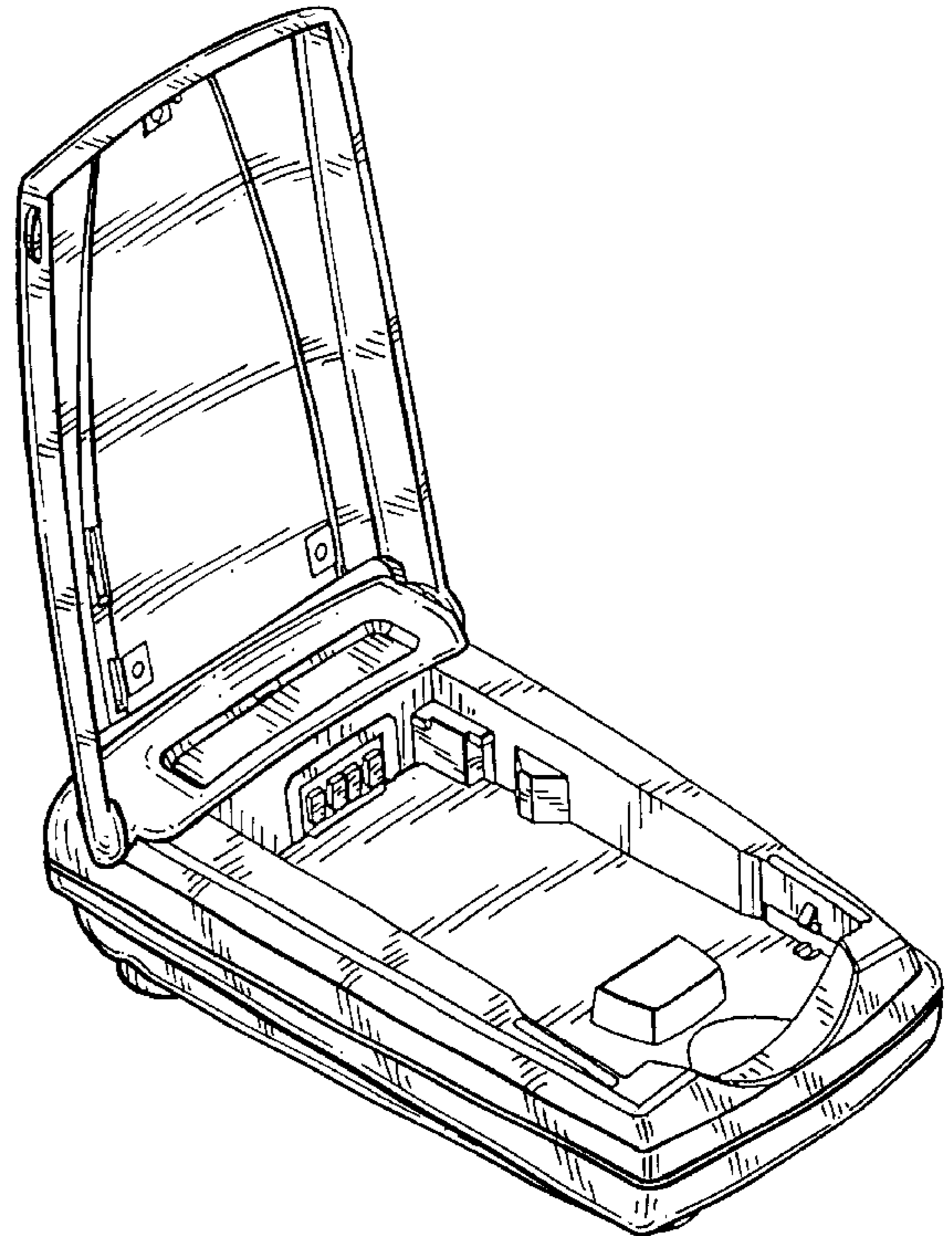
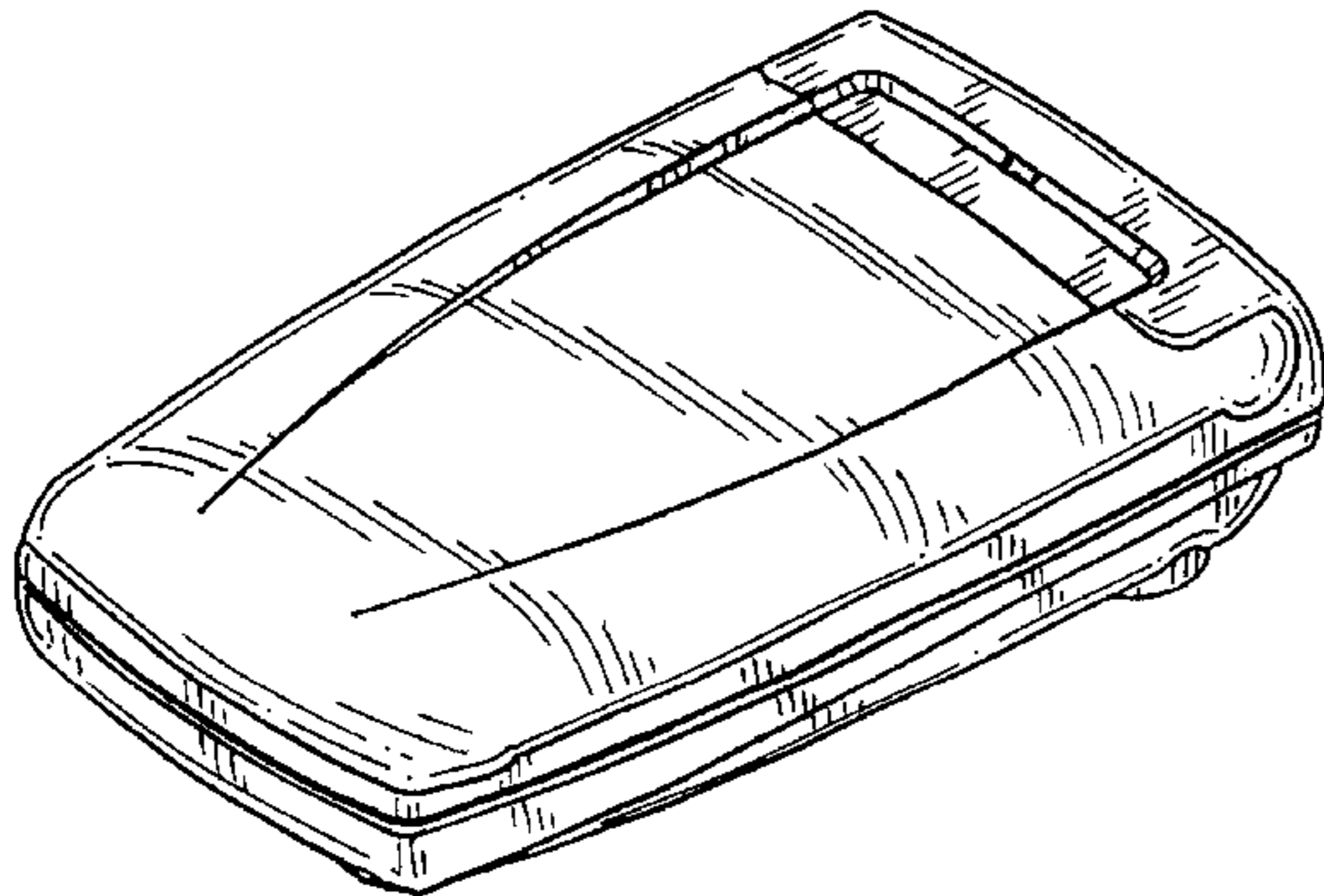


FIG. 1

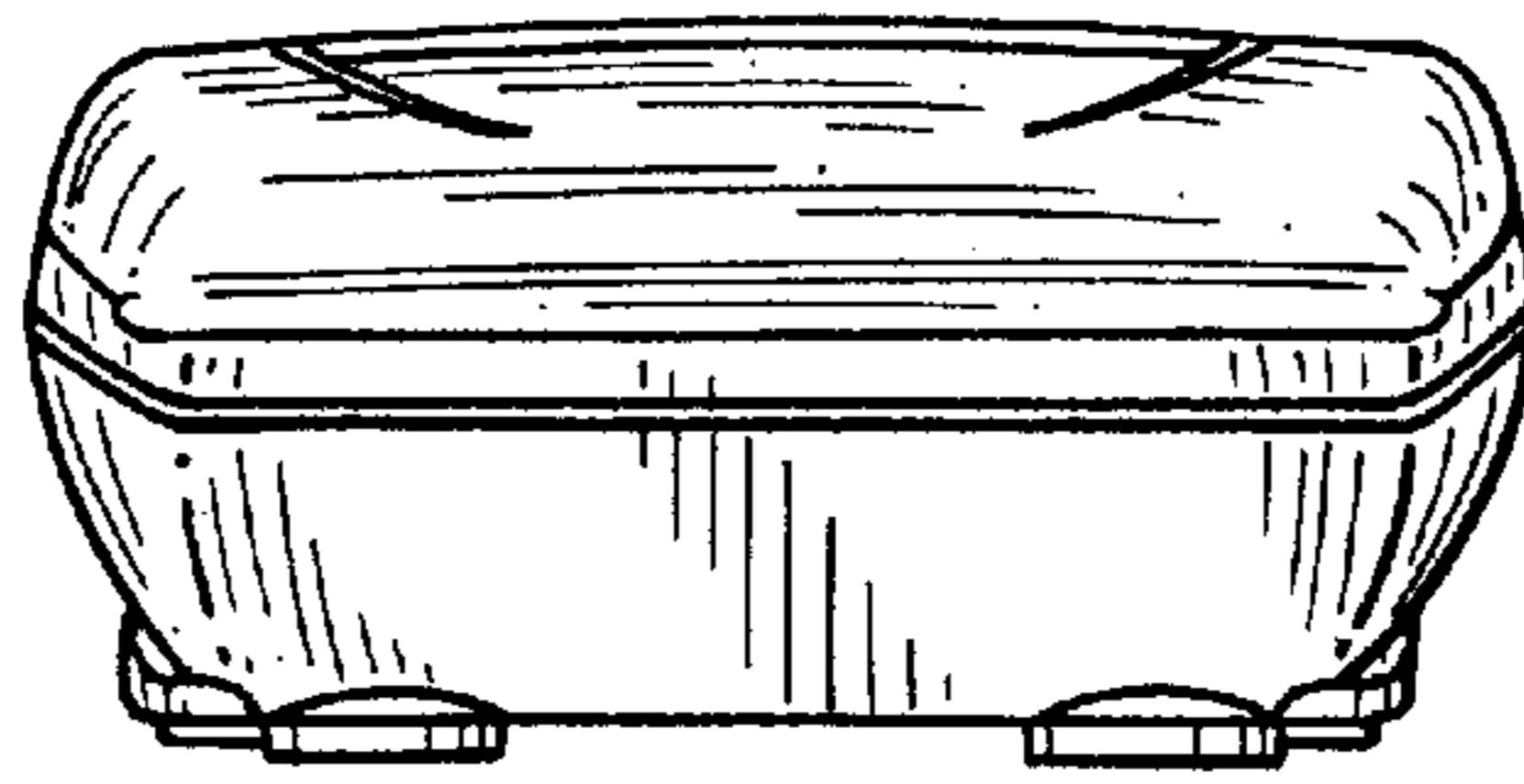


FIG. 2

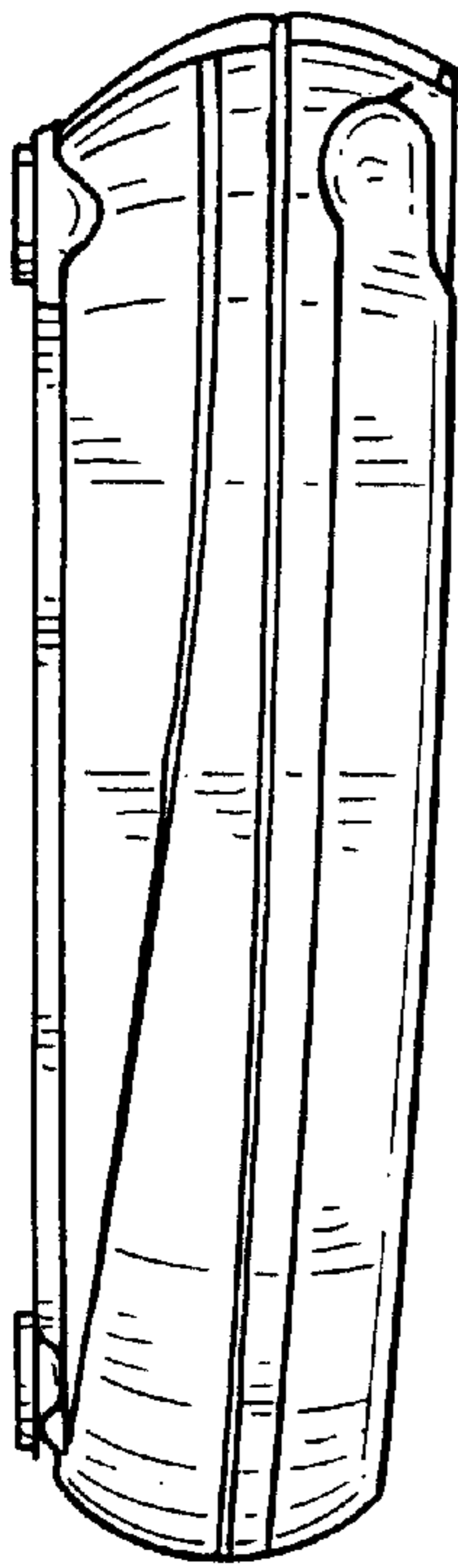


FIG. 3

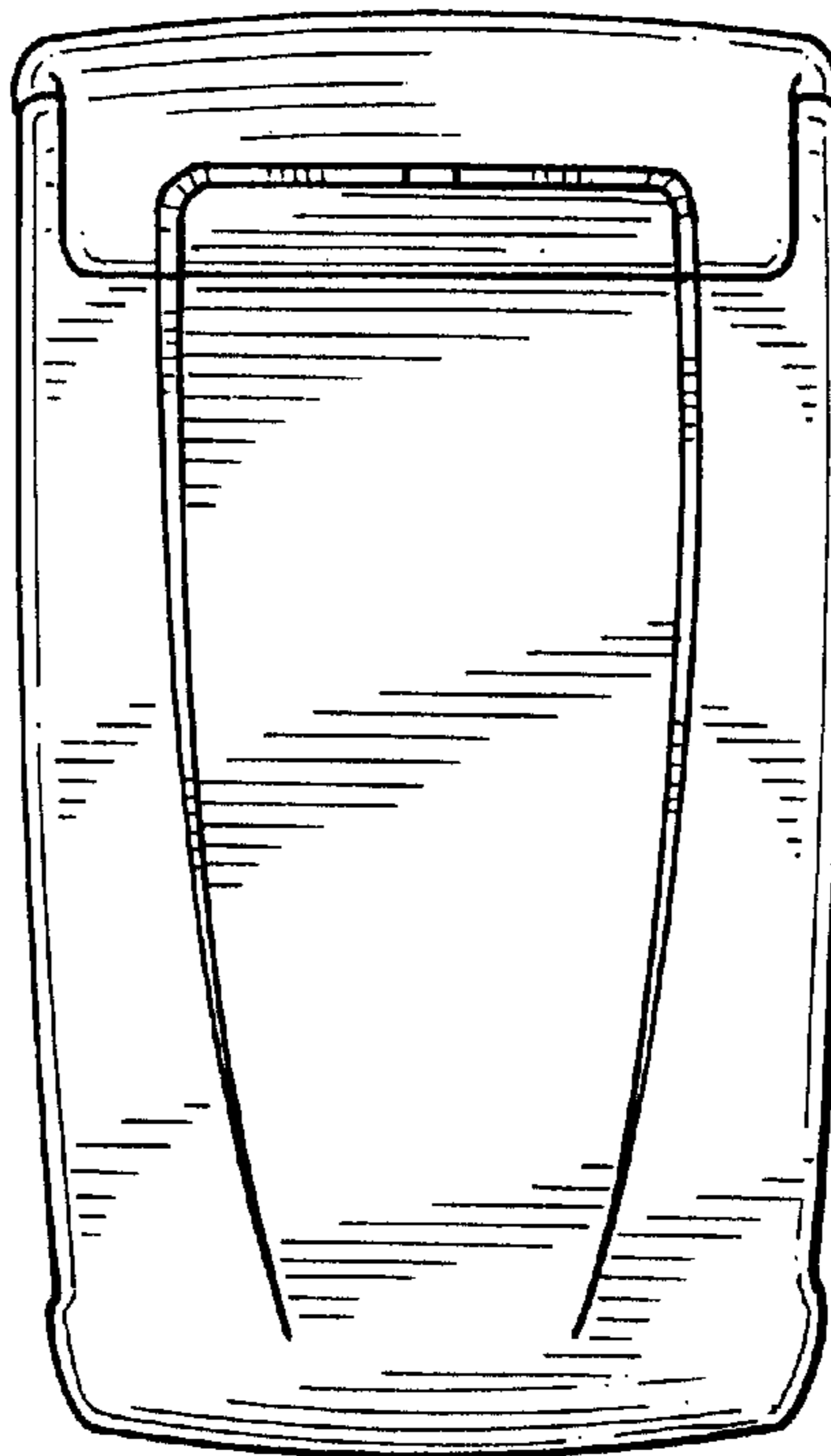


FIG. 4

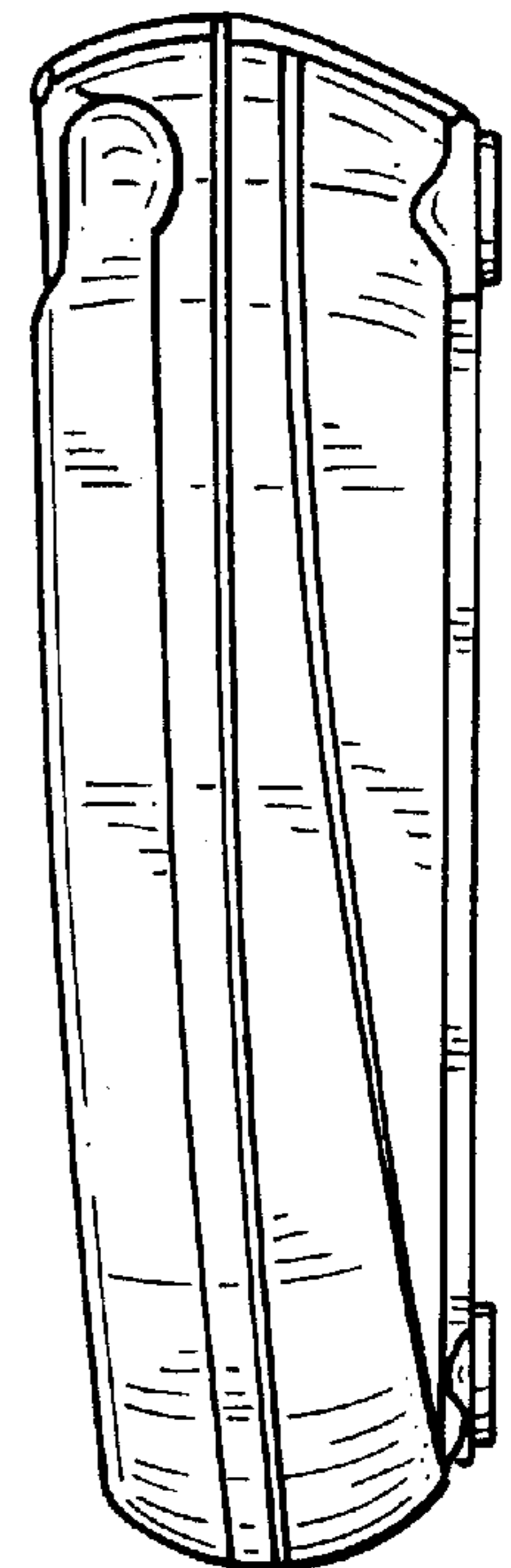


FIG. 5

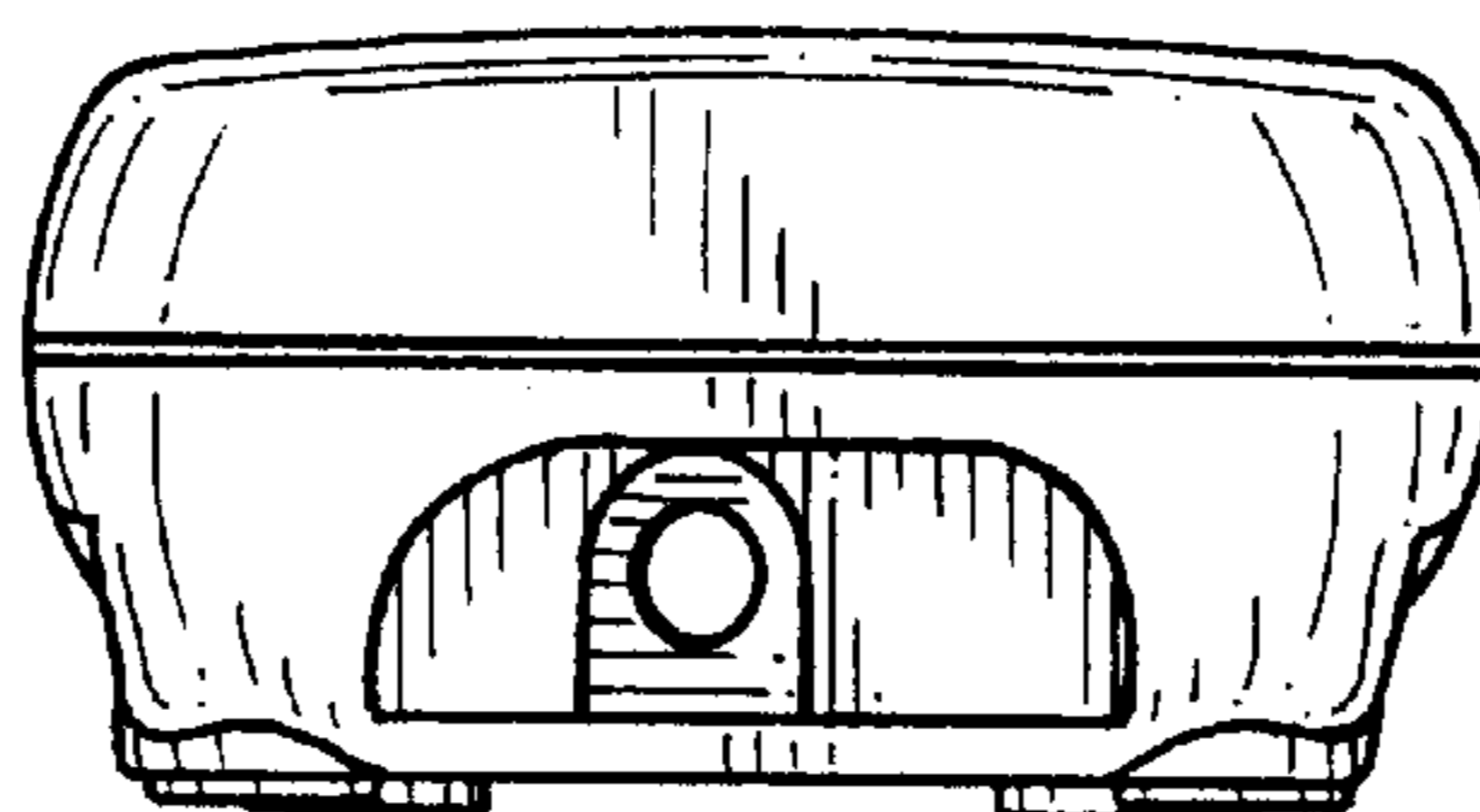


FIG. 8

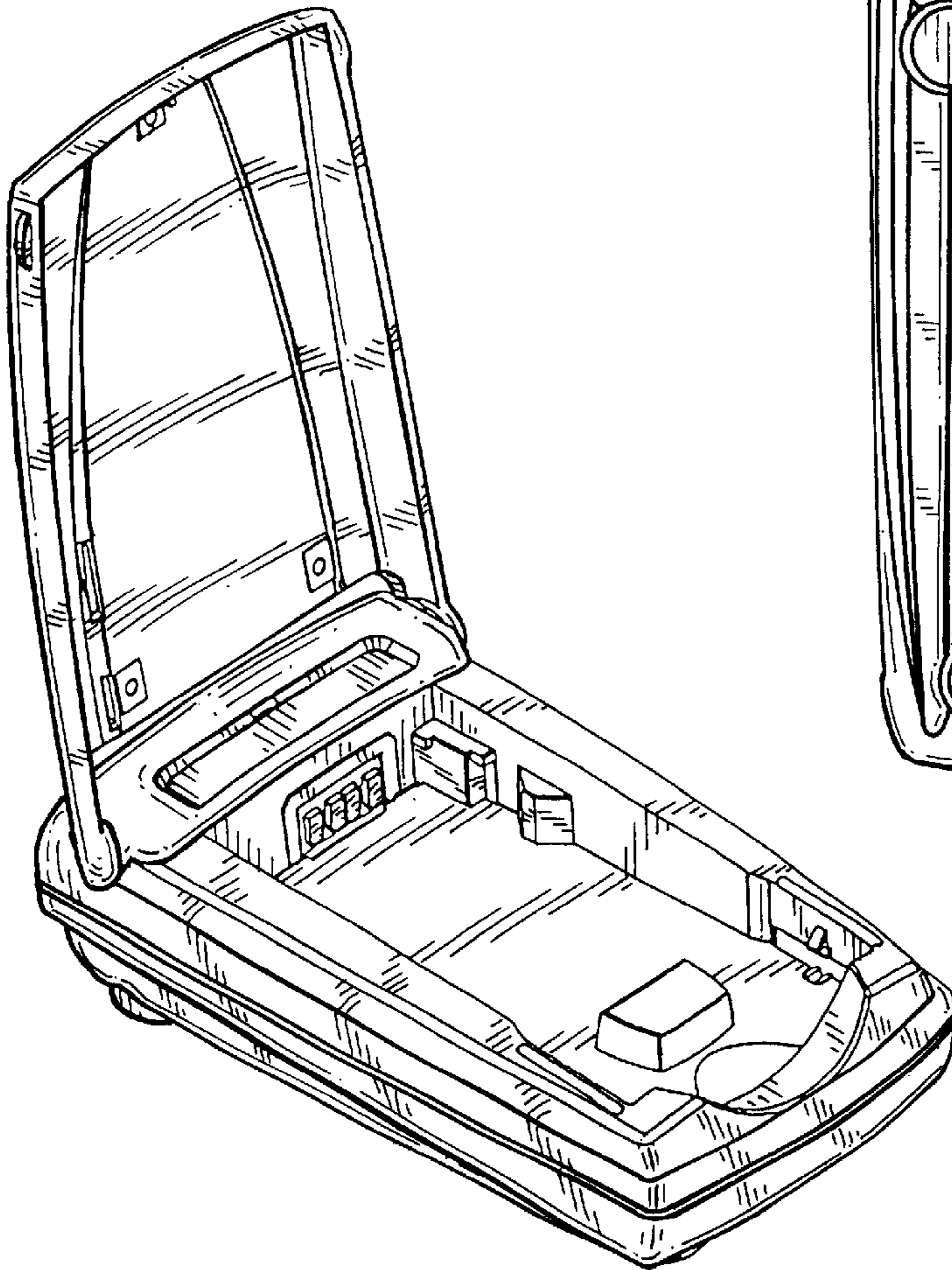


FIG. 6

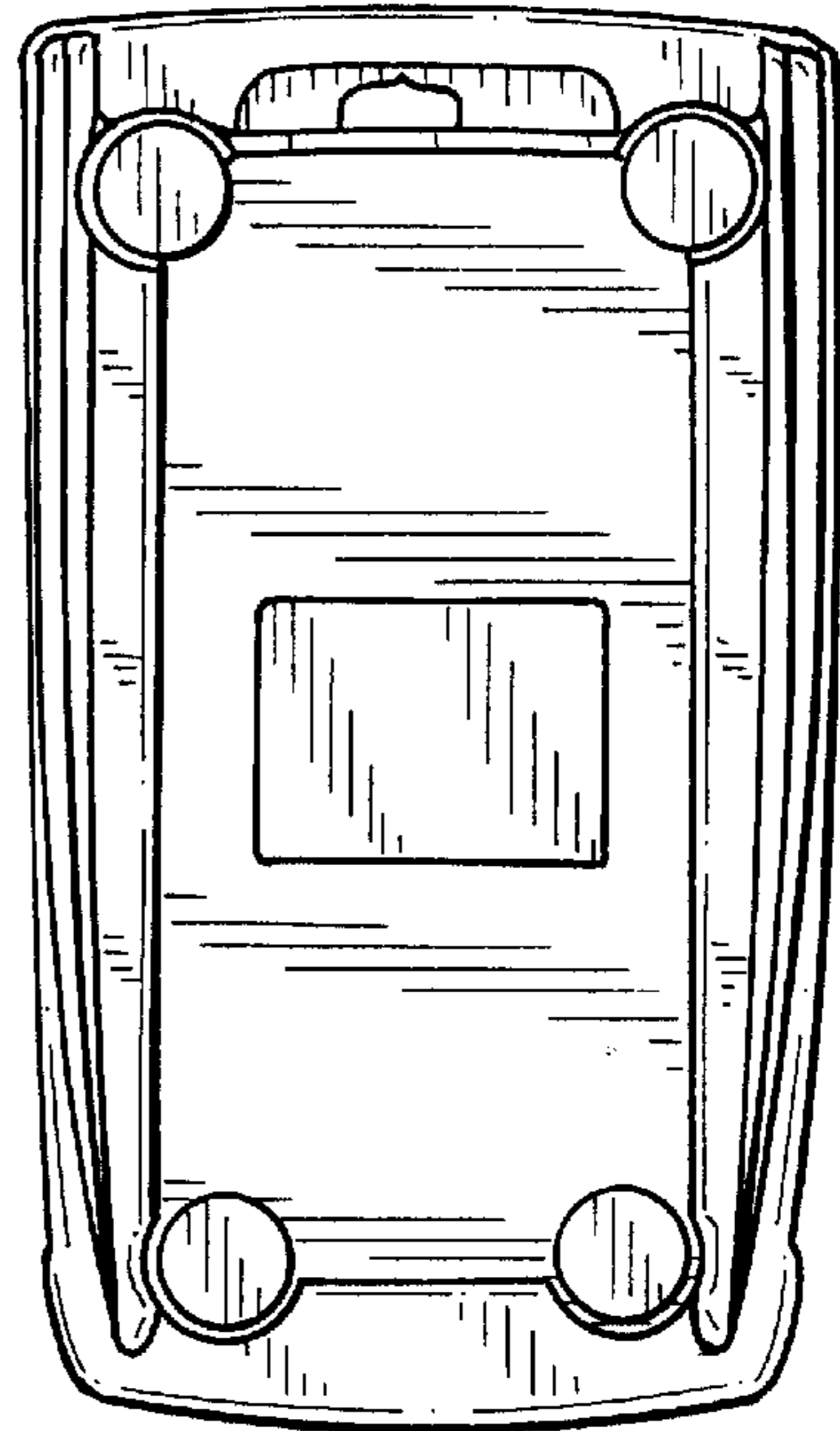


FIG. 7

