



US00D443855S

(12) **United States Design Patent**
Herer et al.

(10) **Patent No.:** **US D443,855 S**
(45) **Date of Patent:** **** Jun. 19, 2001**

(54) **INTEGRATED CONSOLE PRODUCT**

(75) Inventors: **Dan T. Herer**, Woodland Hills;
Gustavo Martinez, Jr., Arleta; **Jose Rafael Venegas**, Reseda, all of CA (US)

(73) Assignee: **Integrated Video Concepts**, Woodland Hills, CA (US)

(**) Term: **14 Years**

(21) Appl. No.: **29/108,379**

(22) Filed: **Jul. 26, 1999**

(51) **LOC (7) Cl.** **12-16**

(52) **U.S. Cl.** **D12/415**

(58) **Field of Search** D12/400, 415, D12/419, 421, 423-426.1; 296/37.1-37.8, 37.12-37.16; 248/311.1-311.3; 108/43-46, 132, 146, 144, 157; 224/273, 275, 539-540, 566, 926-928; D14/308, 441, 449

(56) **References Cited**

U.S. PATENT DOCUMENTS

D. 279,329 * 6/1985 Dzak D12/415 X

D. 279,426 * 7/1985 Dzak D12/415 X
D. 363,916 * 11/1995 Johnson D12/415
D. 425,475 * 5/2000 Herer D12/424
D. 429,209 * 8/2000 Inchaurregui D12/415
D. 429,684 * 8/2000 Johnson D12/415

* cited by examiner

Primary Examiner—Stacia Cadmus

(74) *Attorney, Agent, or Firm*—Pillsbury Winthrop LLP

(57) **CLAIM**

The ornamental design for an integrated console product, as shown and described.

DESCRIPTION

FIG. 1 is a top right front perspective view of an integrated console product in an environment showing my new design; FIG. 2 is a front right bottom perspective view thereof; FIG. 3 is a front elevational view thereof; FIG. 4 is a left side elevational view thereof, which is a mirror image of right side elevational view thereof; FIG. 5 is a top plan view; and, FIG. 6 is a bottom plan view.

The broken line showing of environment is for illustrative purposes only and forms no part of the claimed design.

1 Claim, 4 Drawing Sheets

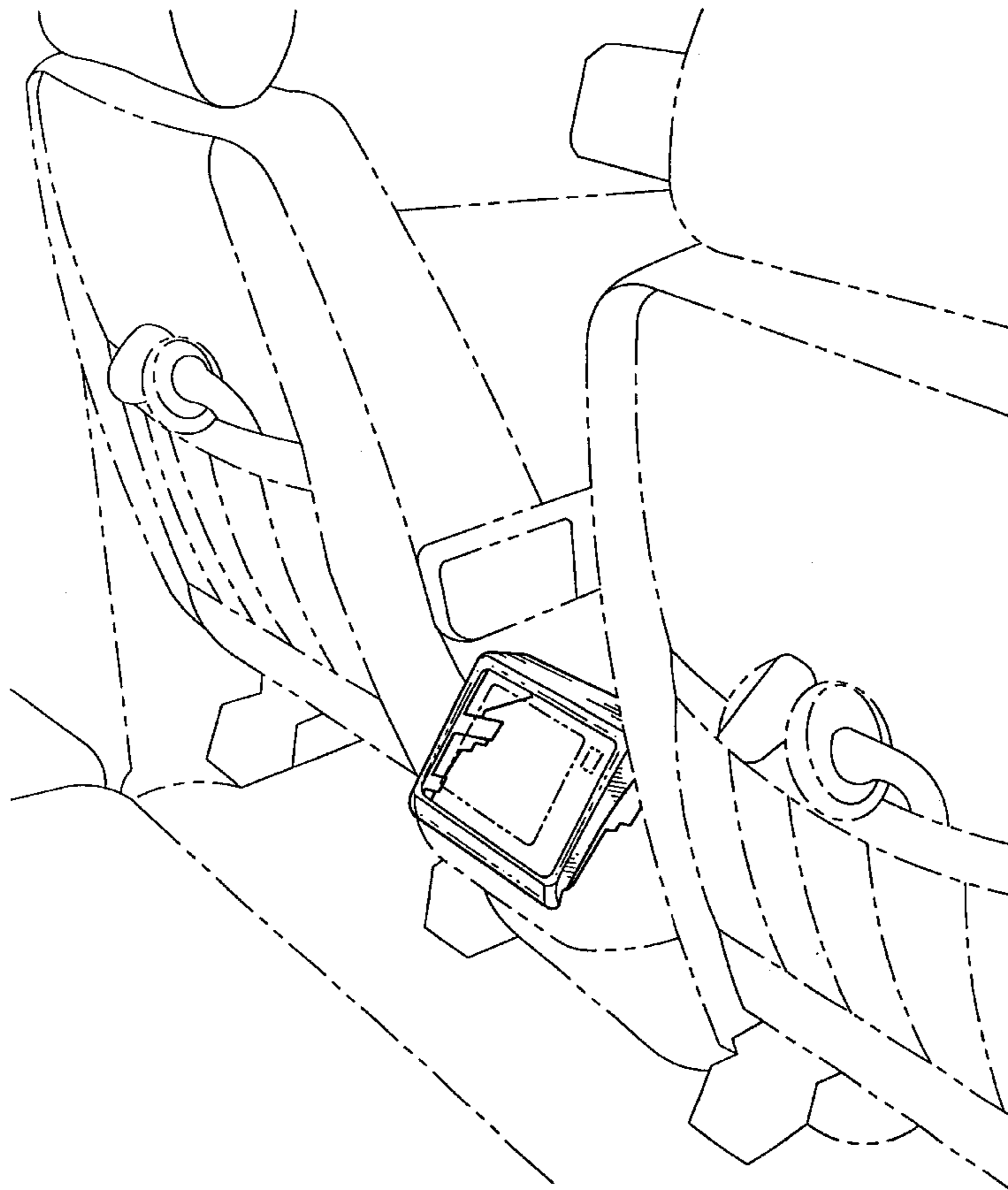


FIG. 1

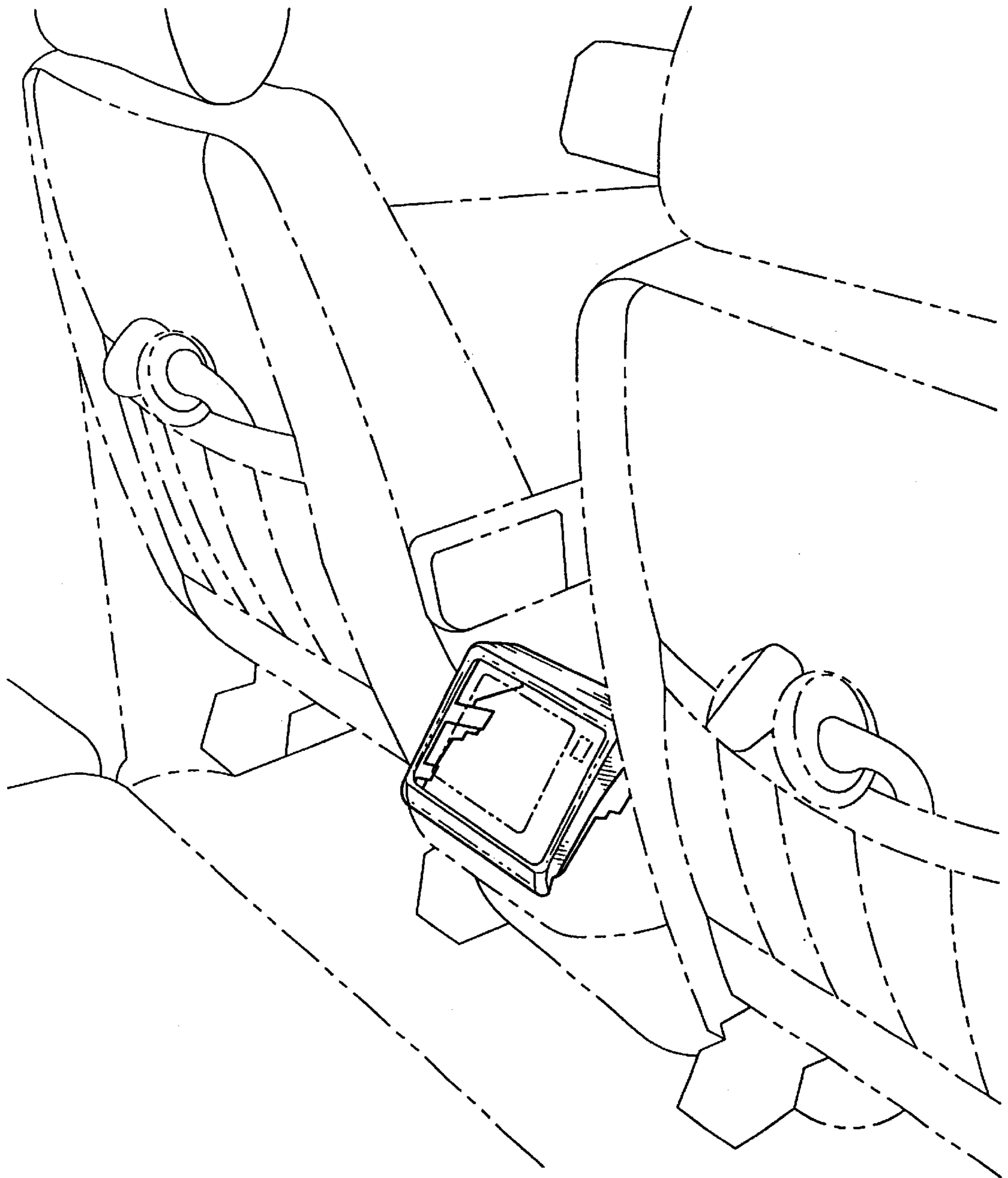


FIG. 2

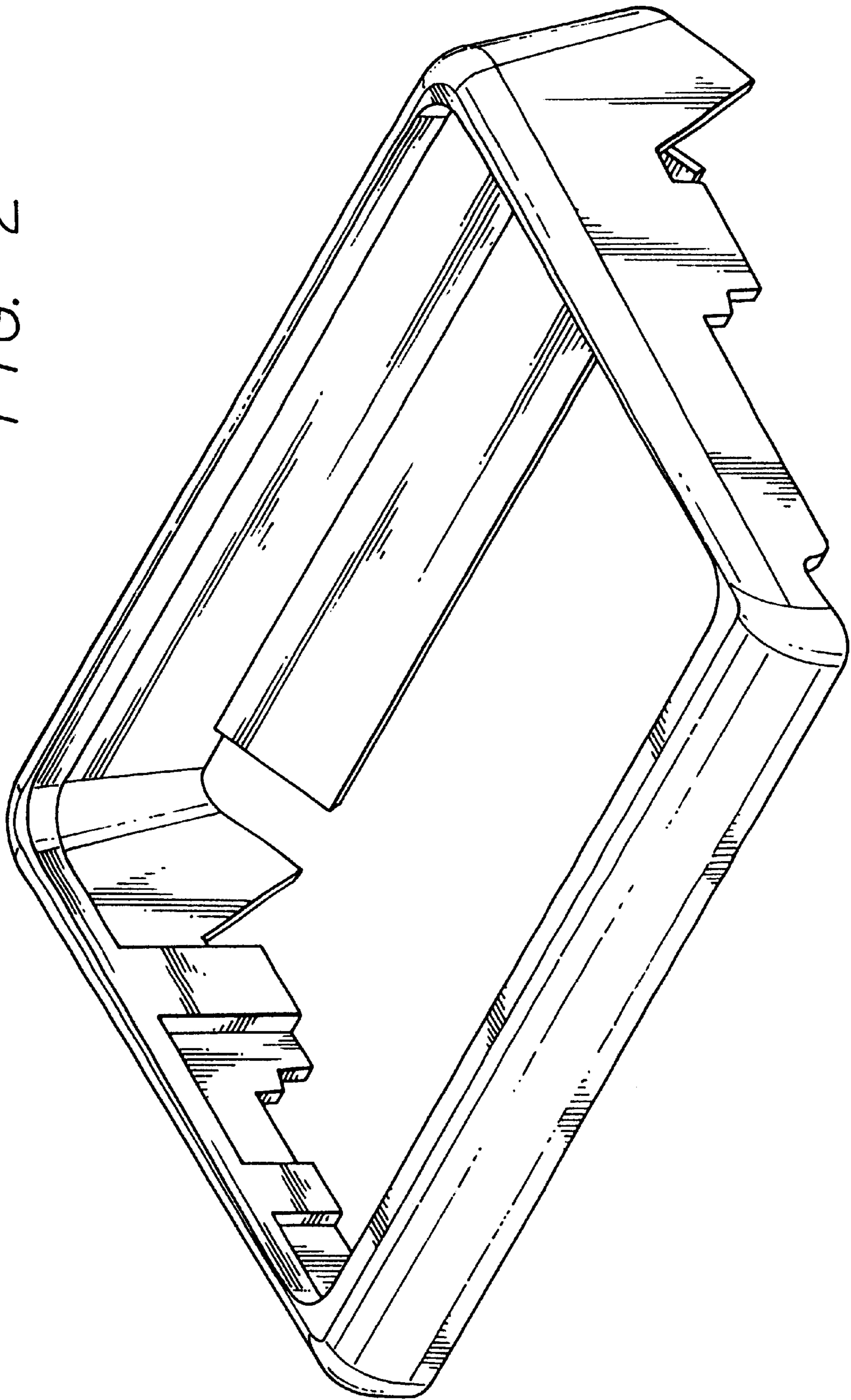


FIG. 3

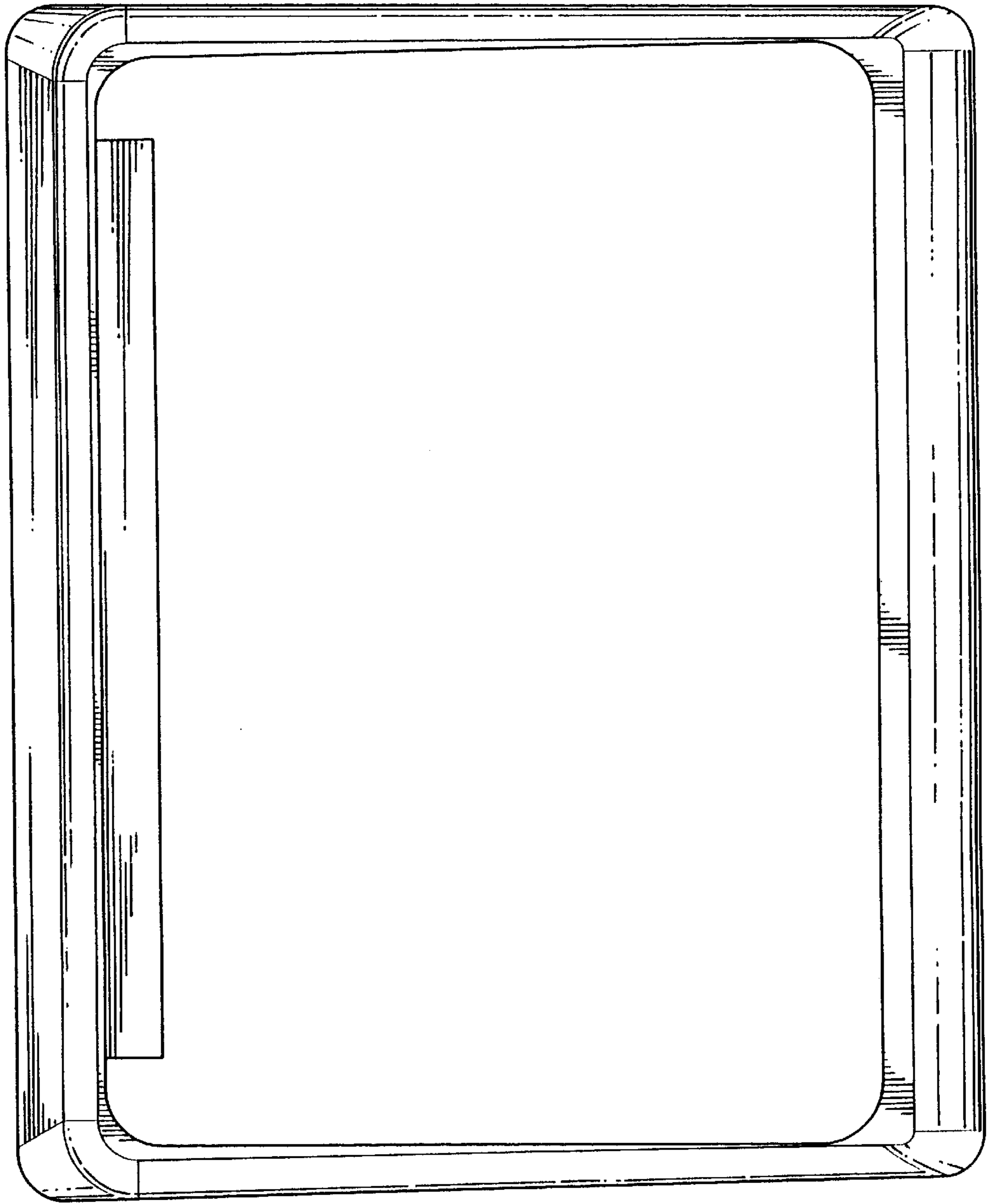
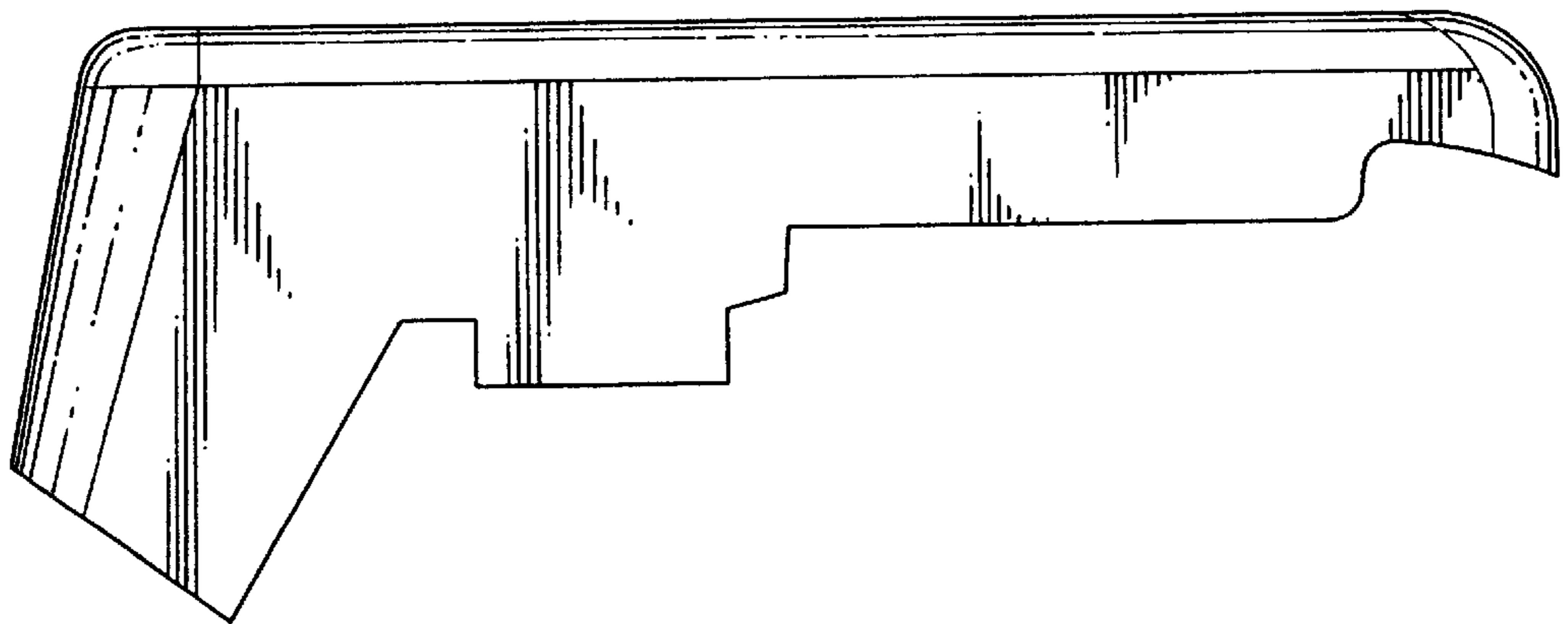


FIG. 4



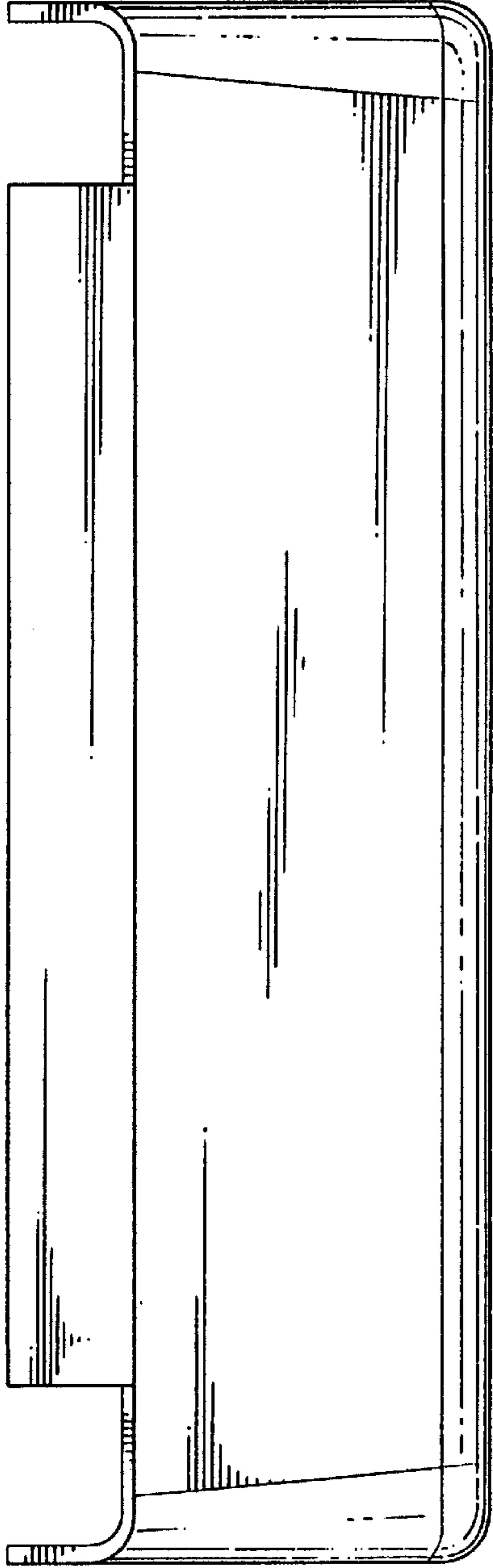


FIG. 5

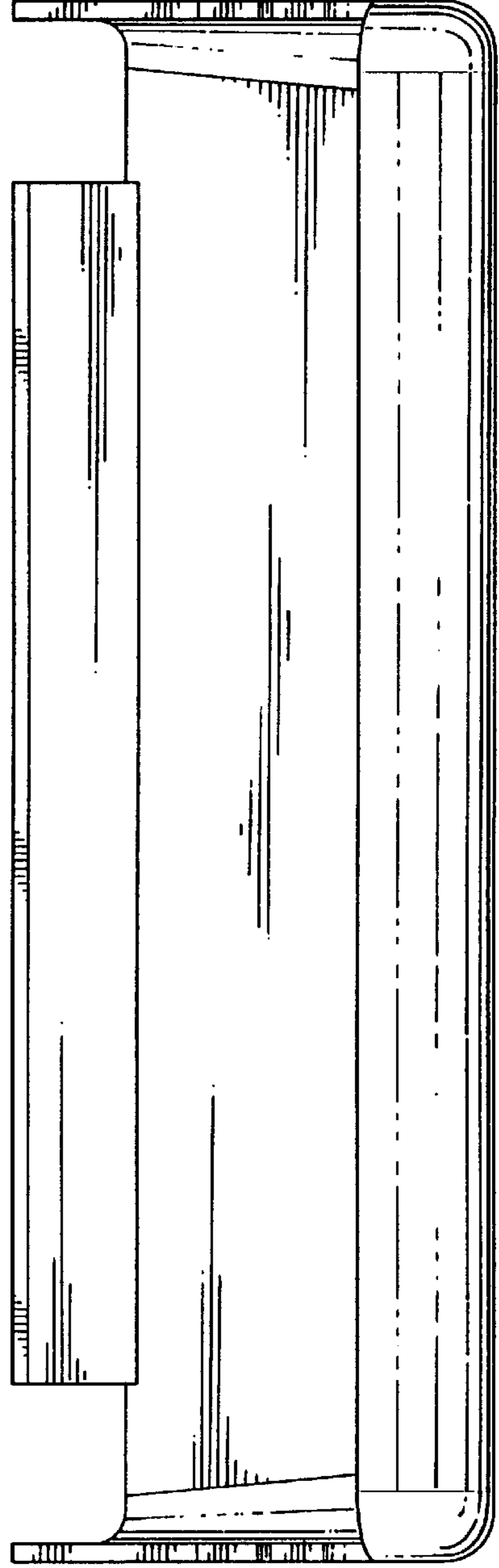


FIG. 6