



US00D443850S

(12) **United States Design Patent**  
**Garrard**

(10) **Patent No.:** **US D443,850 S**

(45) **Date of Patent:** **\*\* Jun. 19, 2001**

- (54) **CAMBER ADJUSTING DEVICE**
- (75) Inventor: **James H Garrard**, Boulder, CO (US)
- (73) Assignee: **Ingalls Engineering Co., Inc.**,  
Longmont, CO (US)
- (\*\*) Term: **14 Years**
- (21) Appl. No.: **29/125,151**
- (22) Filed: **Jun. 19, 2000**
- (51) **LOC (7) Cl.** ..... **12-16**
- (52) **U.S. Cl.** ..... **D12/159**
- (58) **Field of Search** ..... **D12/159, 160;**  
**280/86.75, 86.751, 86.753, 86.755**

4,618,162	*	10/1986	Specktor et al. ....	280/86.753
4,619,465	*	10/1986	Johnson .....	280/86.751
4,733,884	*	3/1988	Pettibone et al. ....	280/86.753
4,795,187	*	1/1989	Ingalls .....	280/86.755
4,838,573	*	6/1989	Specktor et al. ....	280/86.753
4,858,889	*	8/1989	Dixon .....	280/85.751 X
4,863,187	*	9/1989	Artz .....	280/86.753
4,867,472	*	9/1989	Ward .....	280/86.753
5,074,578	*	12/1991	Grove et al. ....	280/86.753
5,301,977	*	4/1994	Schlosser et al. ....	280/86.751

\* cited by examiner

*Primary Examiner*—Stacia Cadmus

(57) **CLAIM**

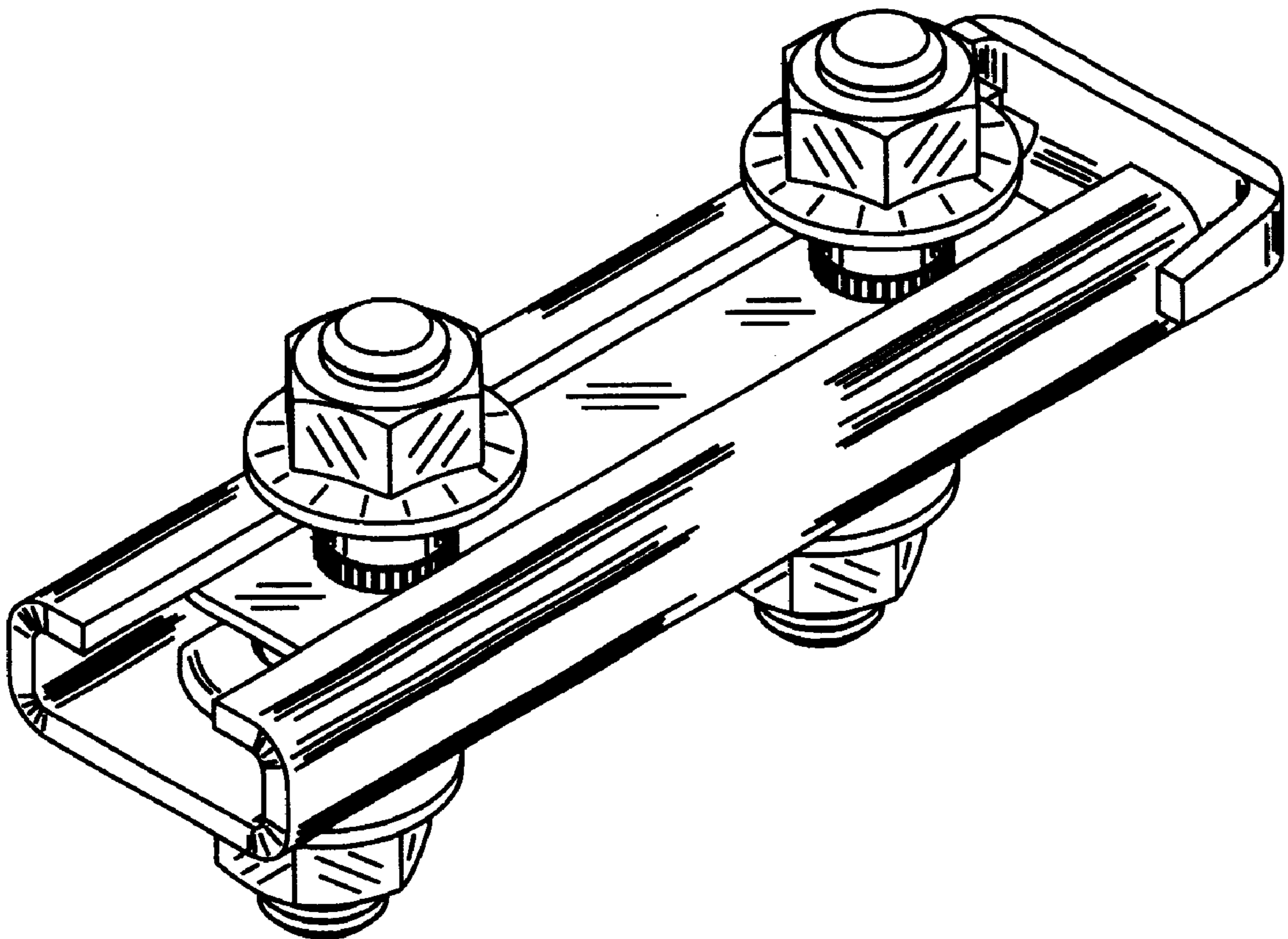
The ornamental design for a camber adjusting device, as shown.

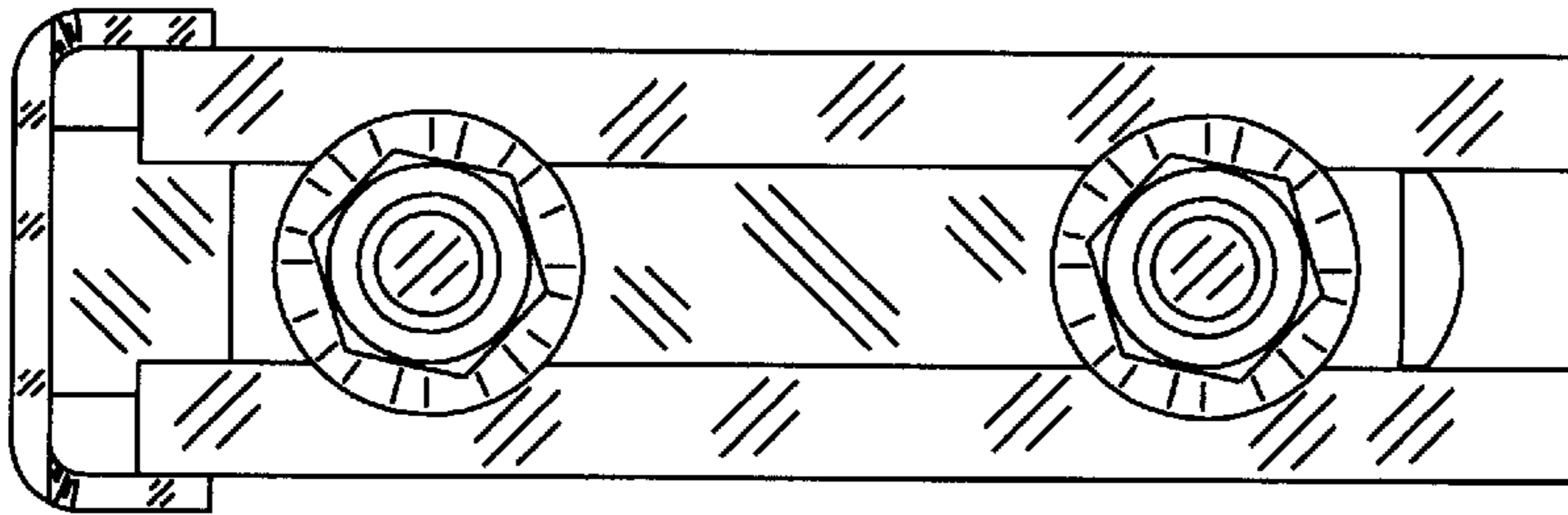
- (56) **References Cited**
- U.S. PATENT DOCUMENTS
- D. 315,706 \* 3/1991 Berry et al. .... D12/159
- D. 371,334 \* 7/1996 Hotchkis, Jr. et al. .... D12/159
- 3,526,413 \* 9/1970 Muller ..... 280/86.751
- 4,037,680 \* 7/1977 Grove ..... 280/86.755
- 4,194,760 \* 3/1980 Shiomi et al. .... 280/86.751
- 4,418,938 \* 12/1983 Sullivan et al. .... 280/86.753
- 4,420,170 \* 12/1983 Wysocki ..... 280/86.755
- 4,580,807 \* 4/1986 Cox et al. .... 280/86.753

**DESCRIPTION**

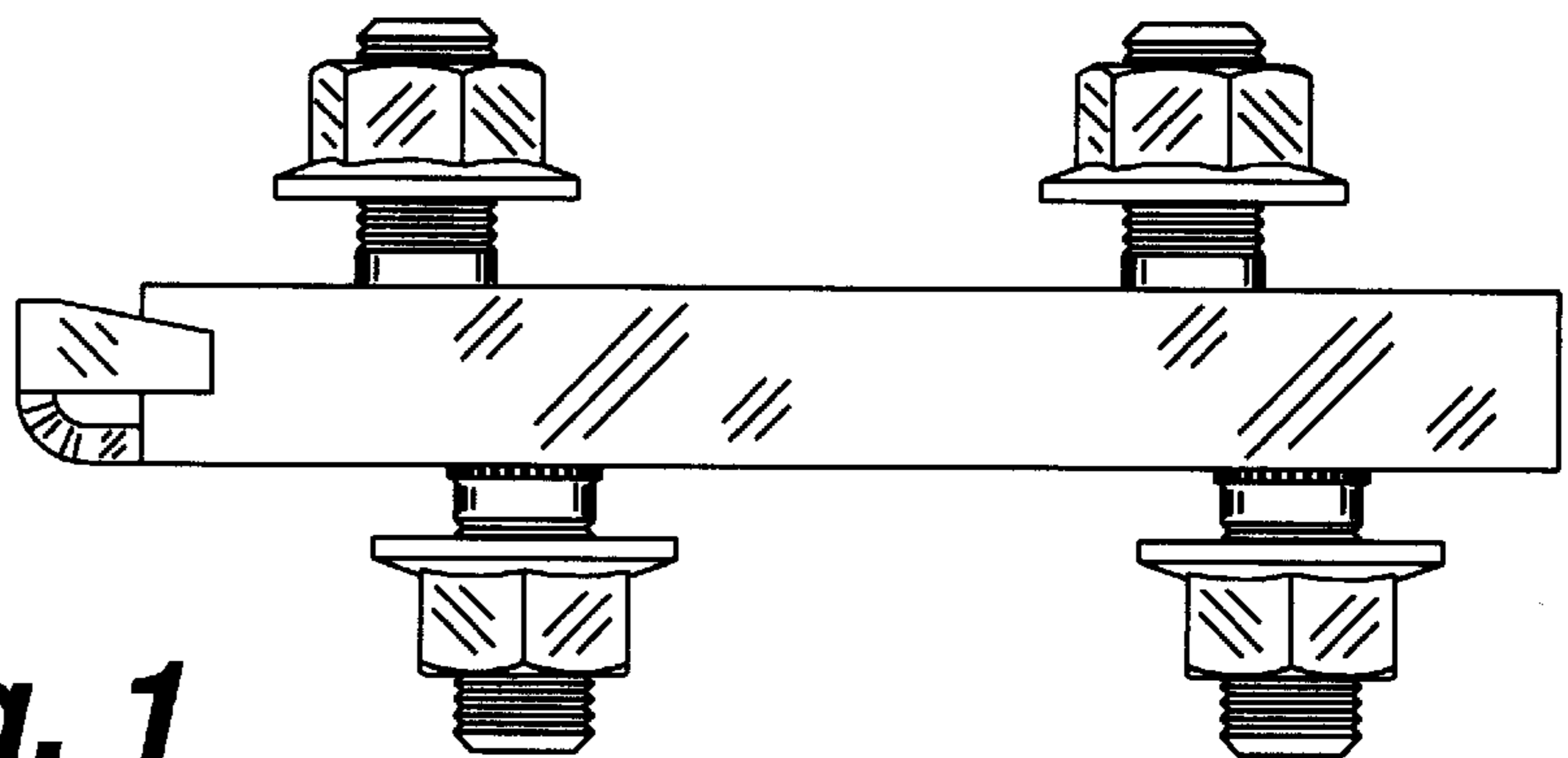
FIG. 1 is a front view of the camber adjusting device, FIG. 2 is an top view thereof, FIG. 3 is an bottom view thereof, FIG. 4 is an left end view thereof, FIG. 5 is an right end view thereof; and, FIG. 6 is an isometric view thereof.

**1 Claim, 2 Drawing Sheets**

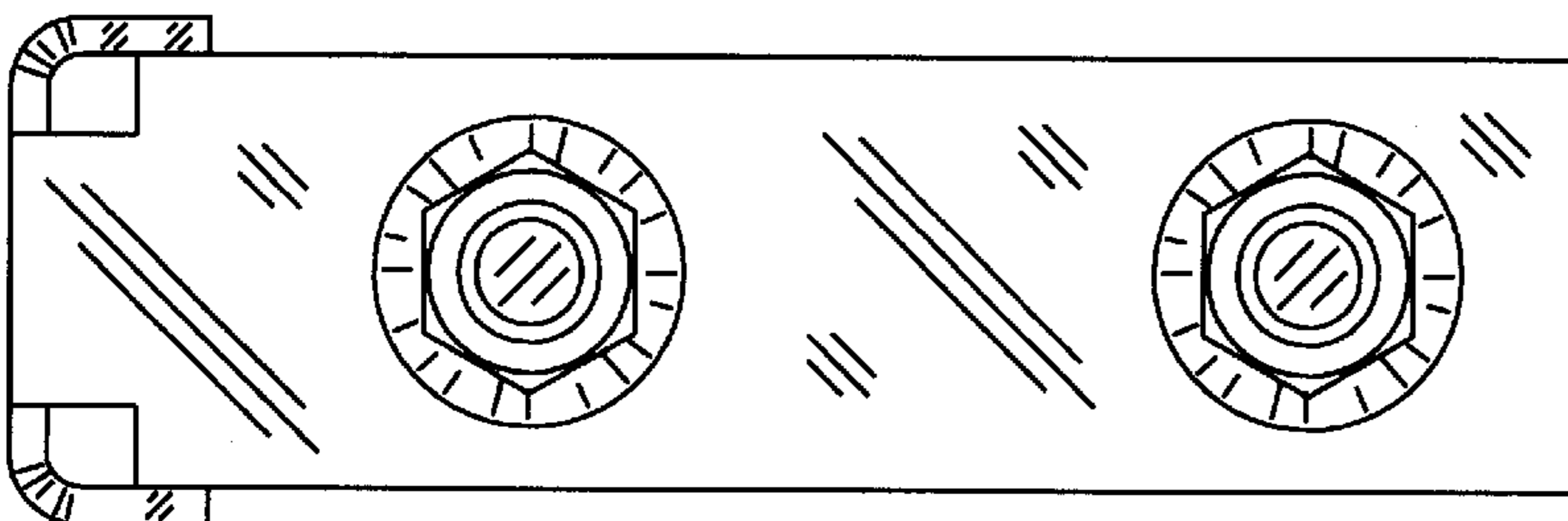




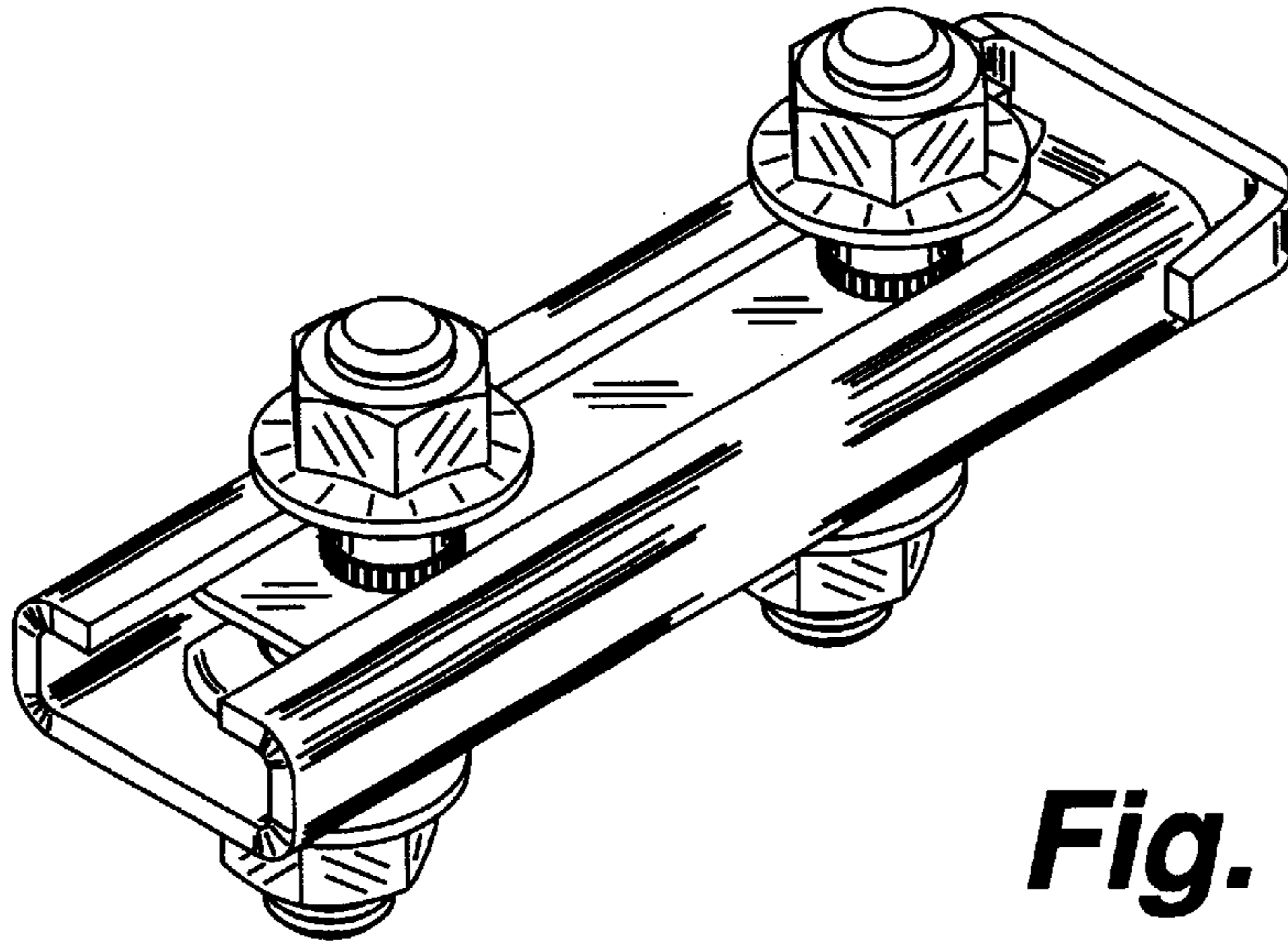
**Fig. 2**



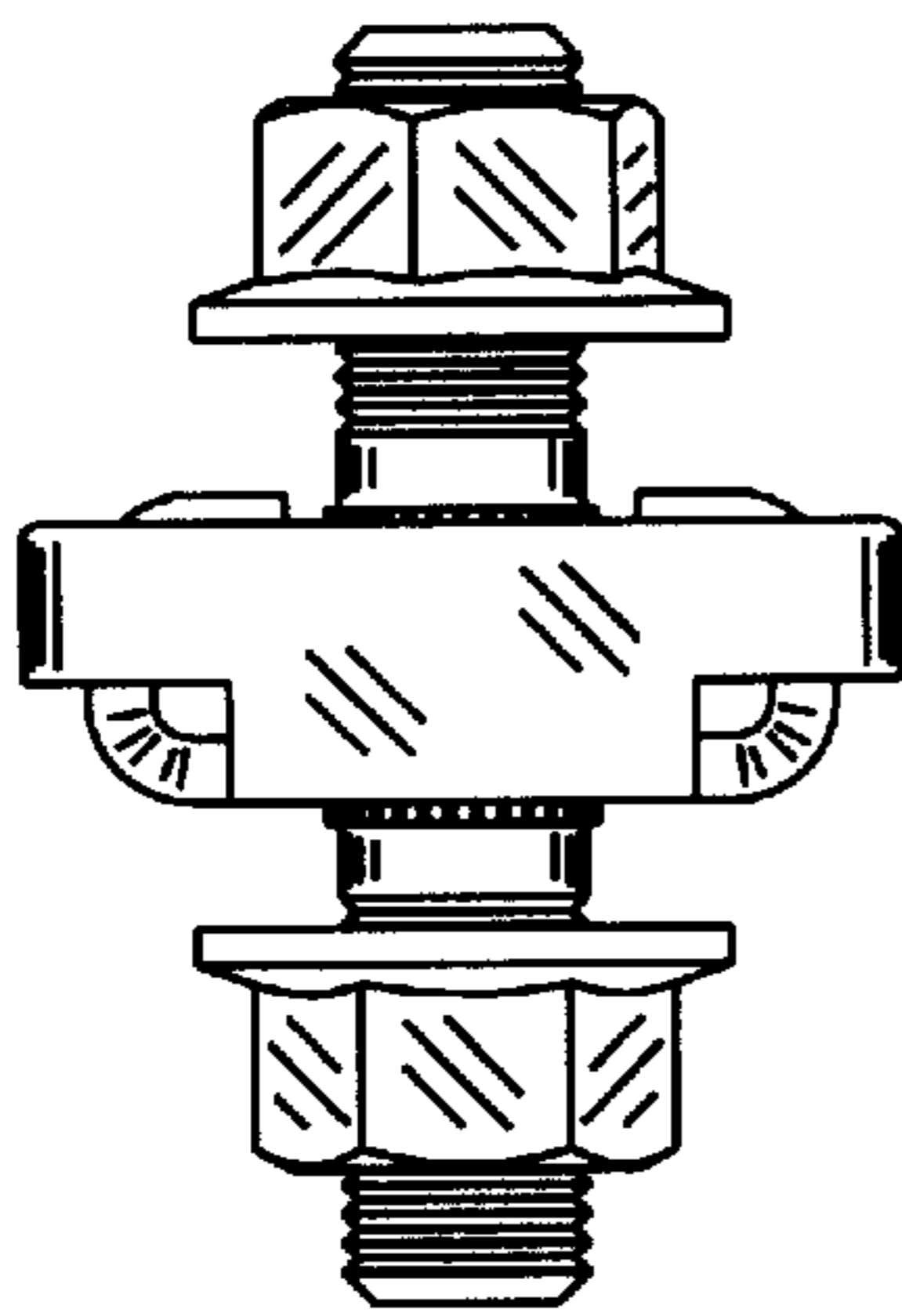
**Fig. 1**



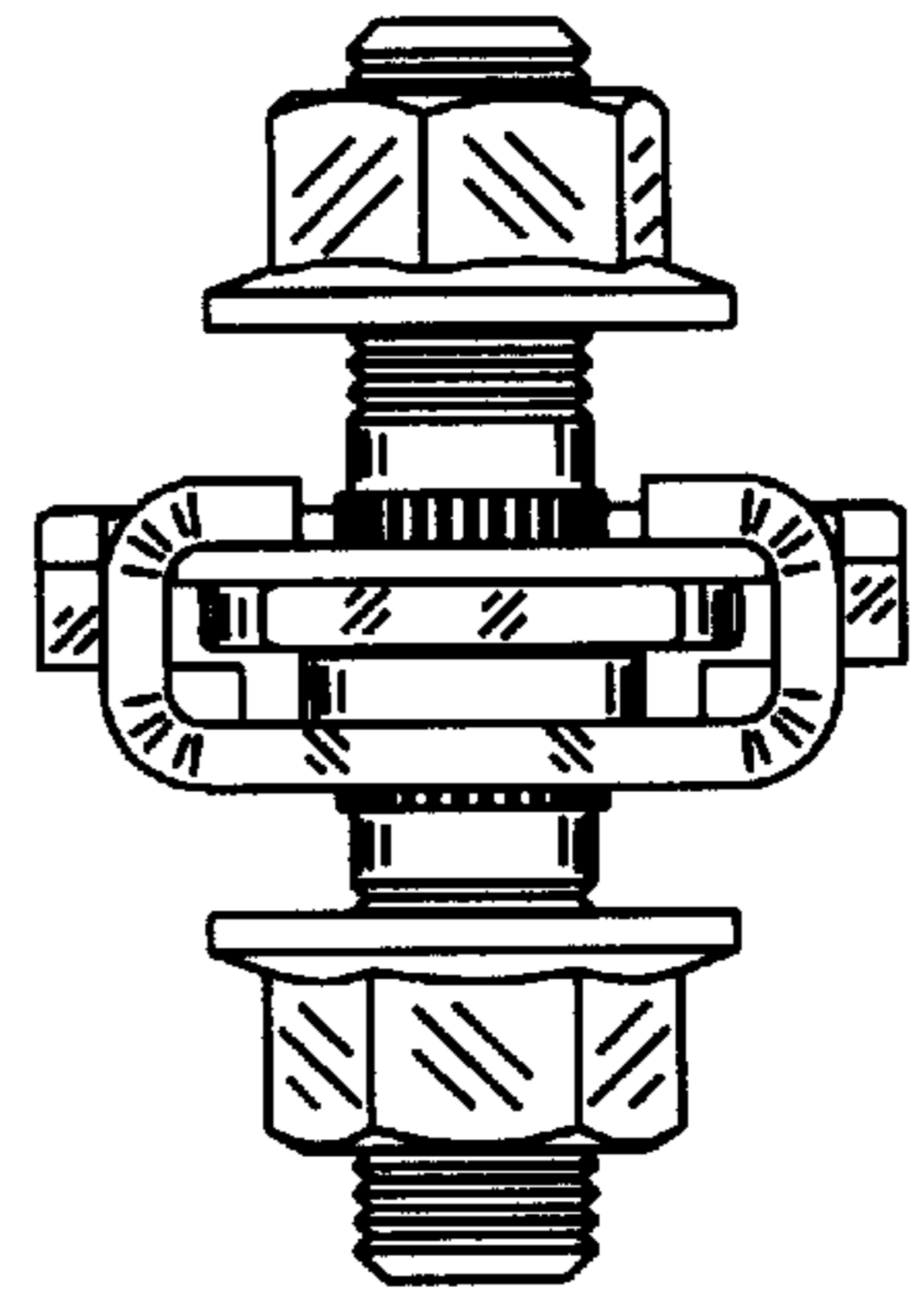
**Fig. 3**



**Fig. 6**



**Fig. 4**



**Fig. 5**