



US00D443849S

(12) **United States Design Patent**  
**Chen**

(10) **Patent No.:** **US D443,849 S**

(45) **Date of Patent:** **\*\* Jun. 19, 2001**

(54) **SCOOTER**

D. 427,944 \* 7/2000 Sakuma et al. .... D12/110

(75) Inventor: **Jung-Chung Chen**, Kaohsiung (TW)

\* cited by examiner

(73) Assignee: **Kwang Yang Motor Co., Ltd.**,  
Kaohsiung (TW)

*Primary Examiner*—Alan P. Douglas

*Assistant Examiner*—Linda Brooks

(74) *Attorney, Agent, or Firm*—Rosenberg, Klein & Lee

(\*\*) Term: **14 Years**

(57) **CLAIM**

(21) Appl. No.: **29/129,565**

The ornamental design for a scooter, as shown and described.

(22) Filed: **Sep. 19, 2000**

(51) **LOC (7) Cl.** ..... **12-11**

(52) **U.S. Cl.** ..... **D12/110**

(58) **Field of Search** ..... D12/110; 180/219,  
180/220, 221; D21/423

**DESCRIPTION**

FIG. 1 is a perspective view of a scooter showing my new design;

FIG. 2 is a front side elevation view thereof;

FIG. 3 is a rear side elevation view thereof;

FIG. 4 is a left side elevation view thereof;

FIG. 5 is a right side elevation view thereof;

FIG. 6 is a top plan view thereof; and,

FIG. 7 is a bottom plan view thereof.

(56) **References Cited**

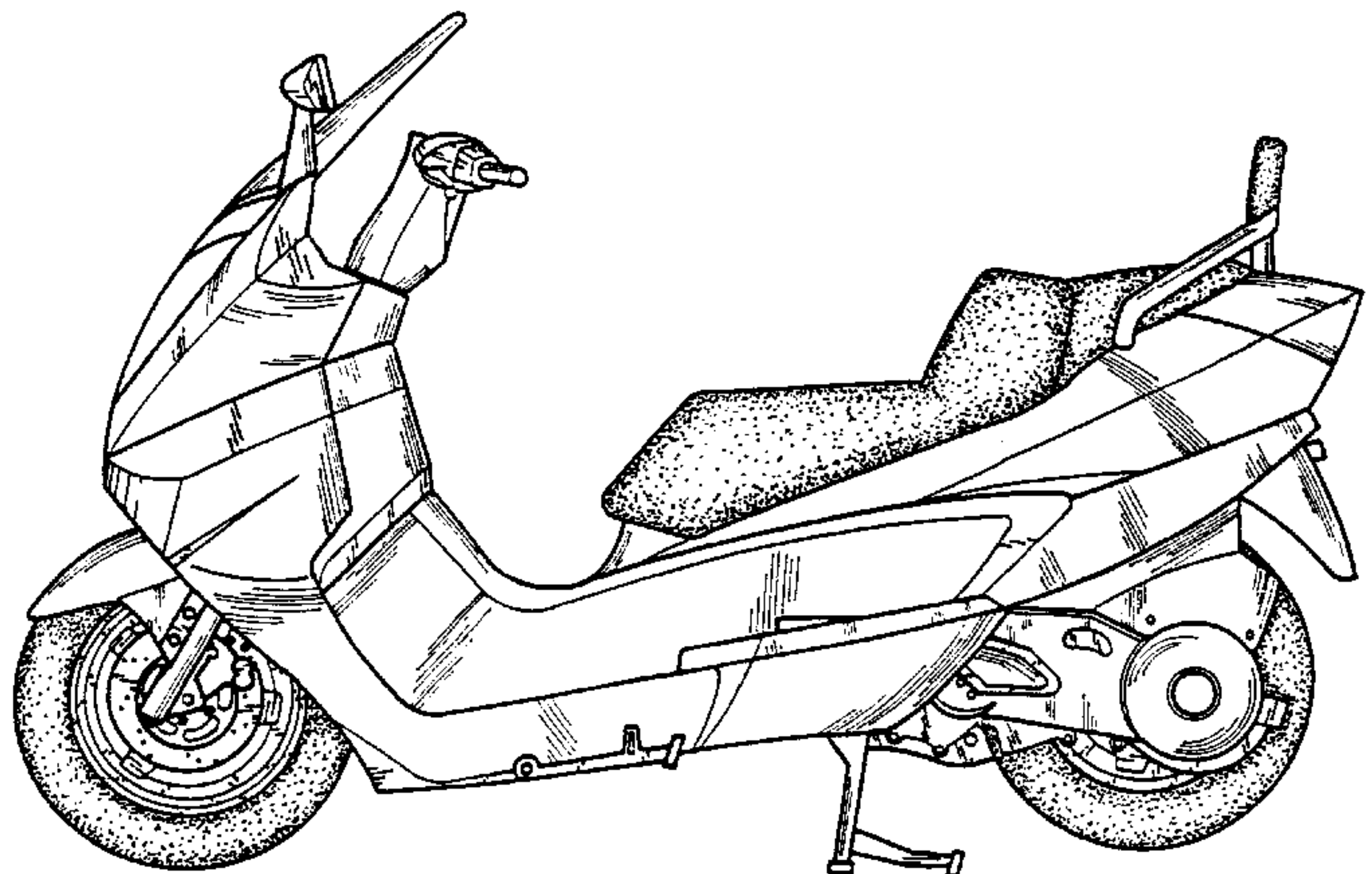
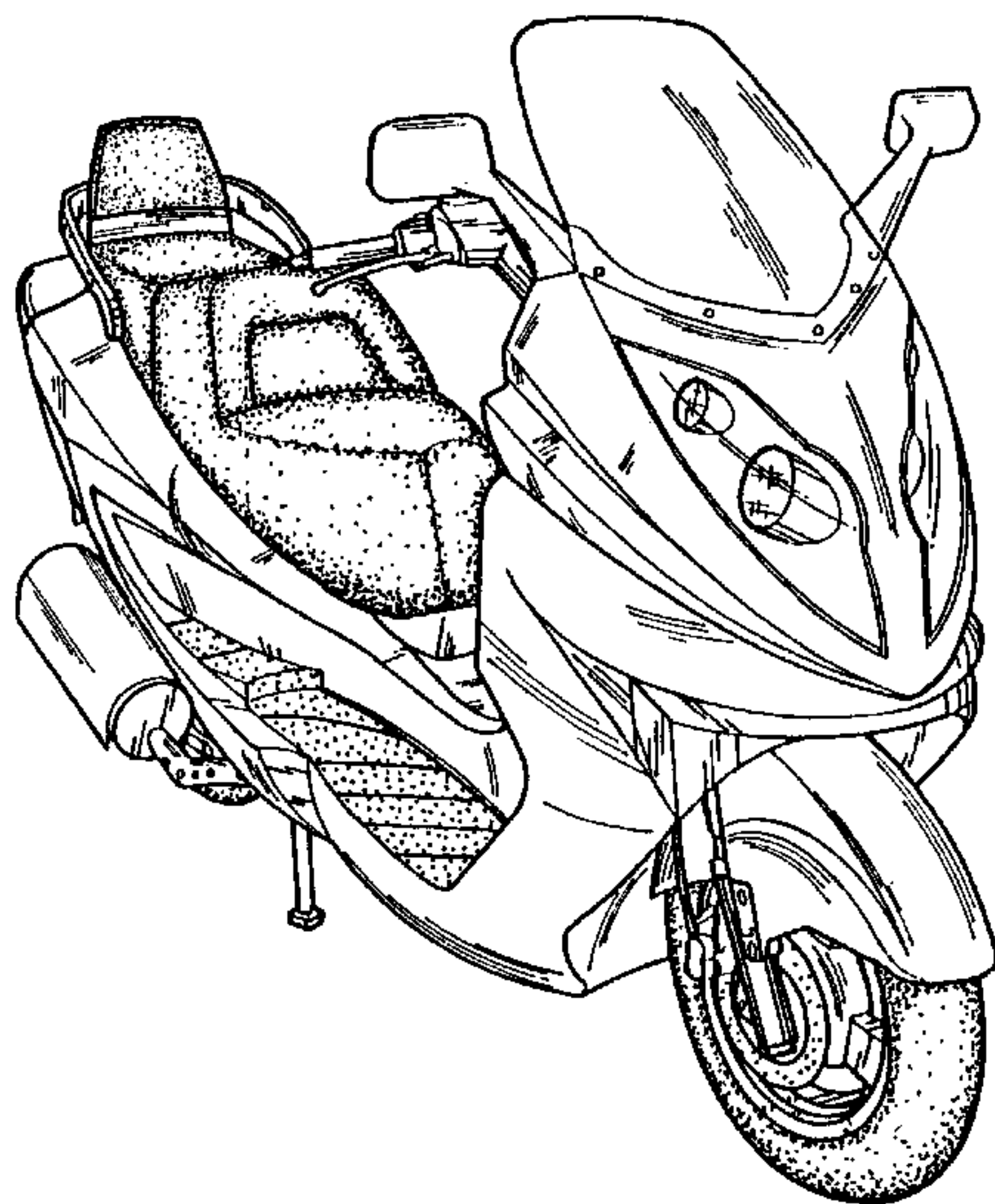
**U.S. PATENT DOCUMENTS**

D. 331,553 \* 12/1992 Agnolucci ..... D12/110

D. 341,341 \* 11/1993 Nakamura et al. .... D12/110

D. 399,174 \* 10/1998 Takeshita et al. .... D12/110

**1 Claim, 4 Drawing Sheets**



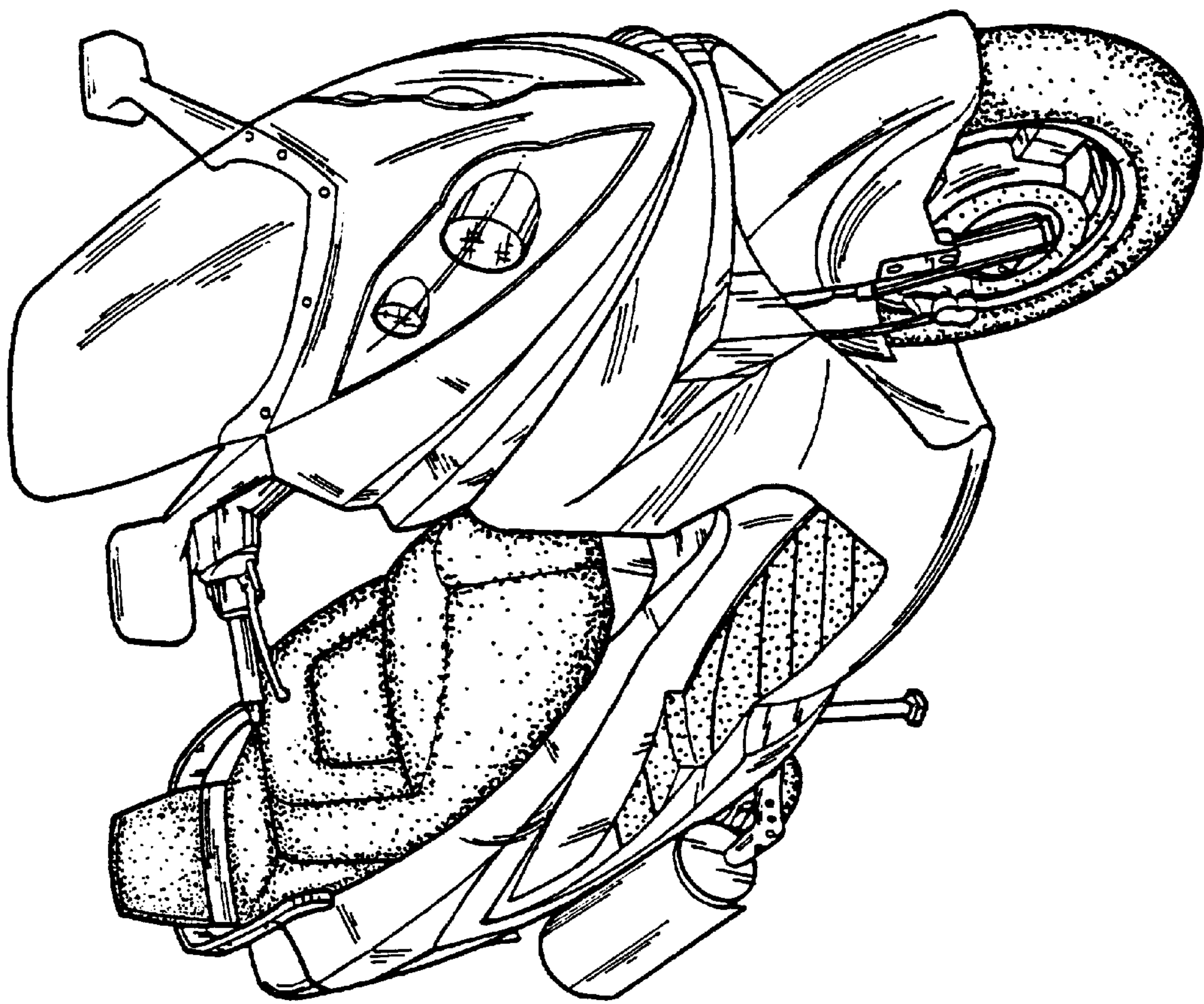


FIG. 1

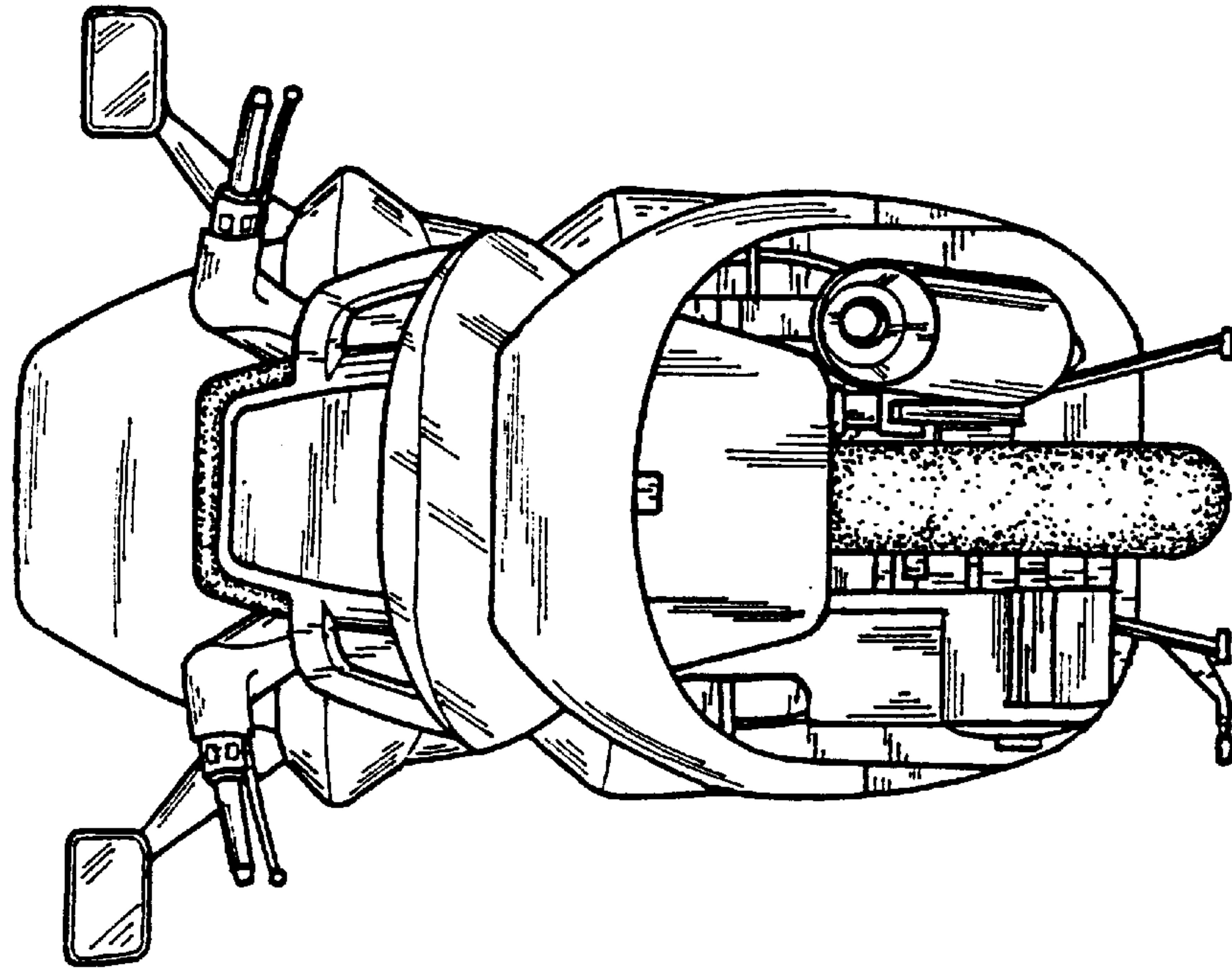


FIG.2

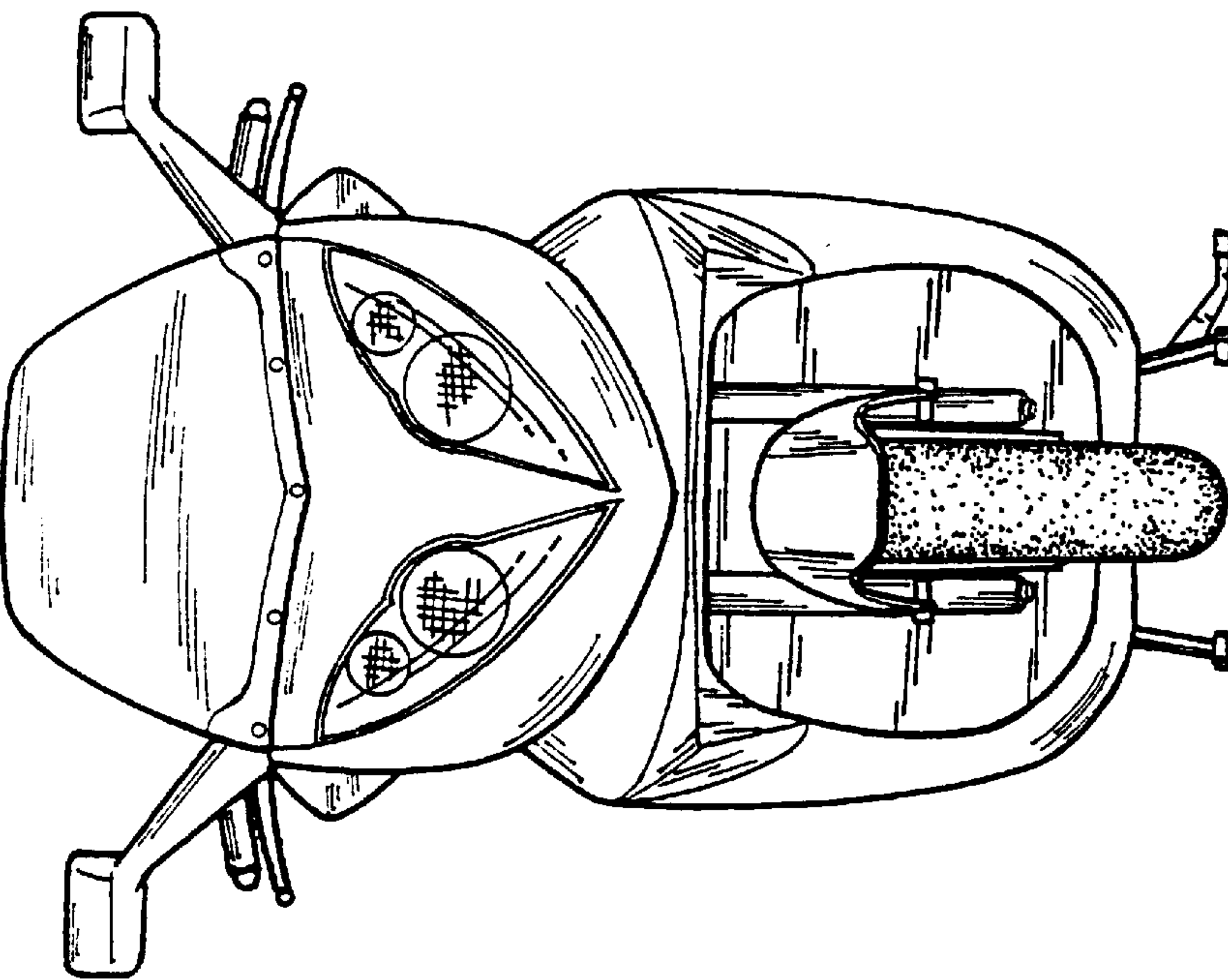


FIG.3



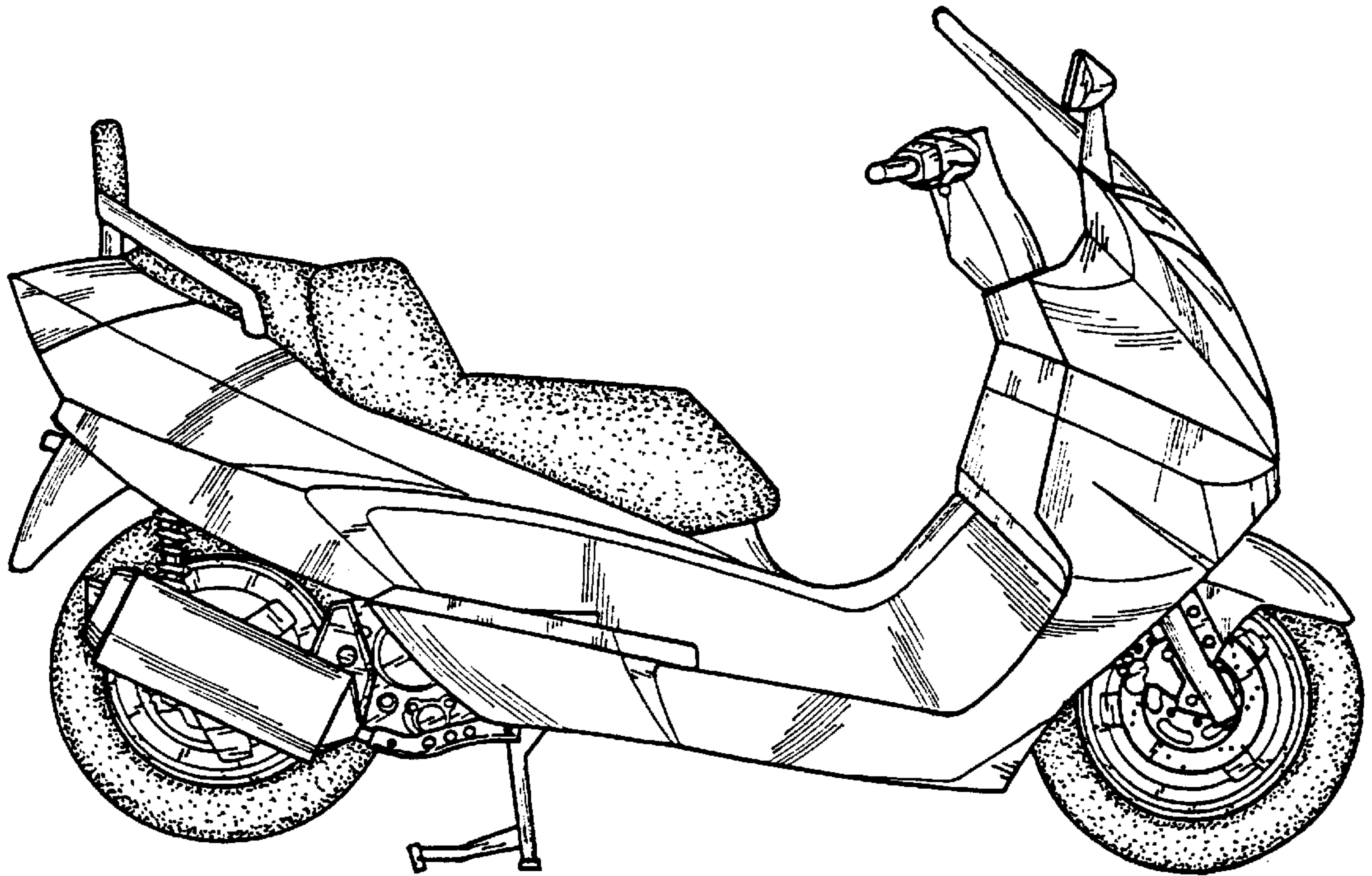


FIG. 4

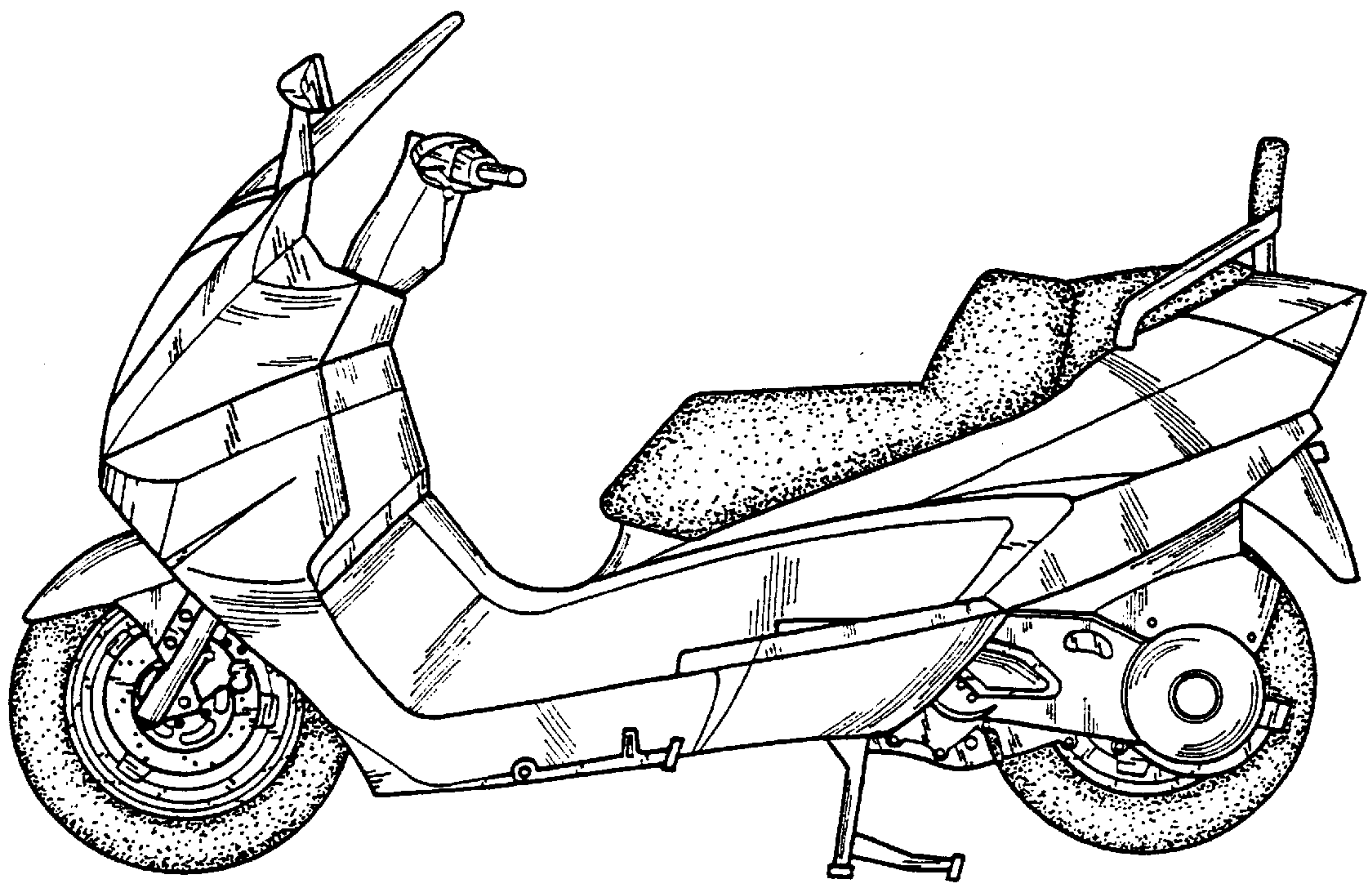


FIG. 5

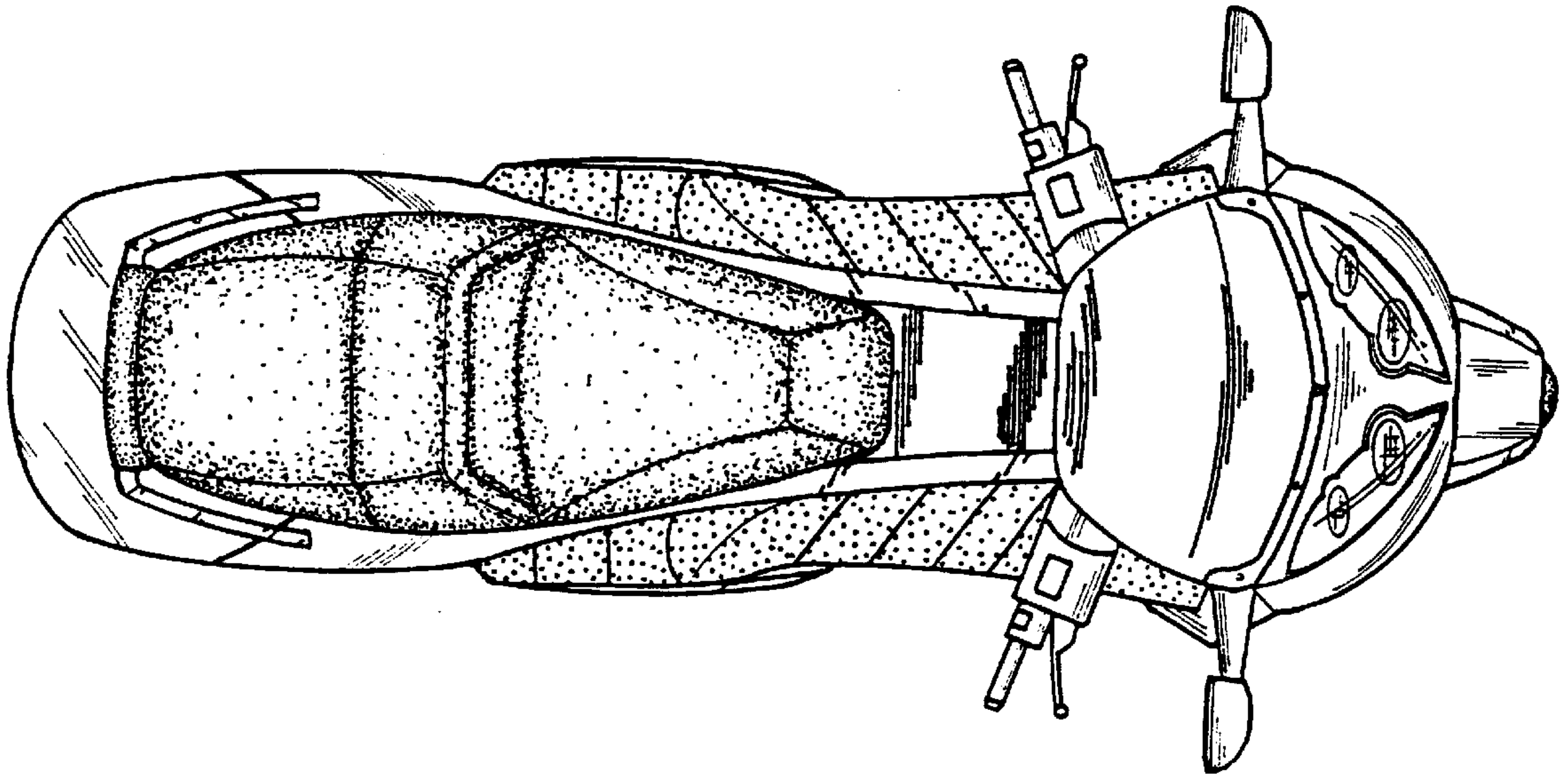


FIG. 6

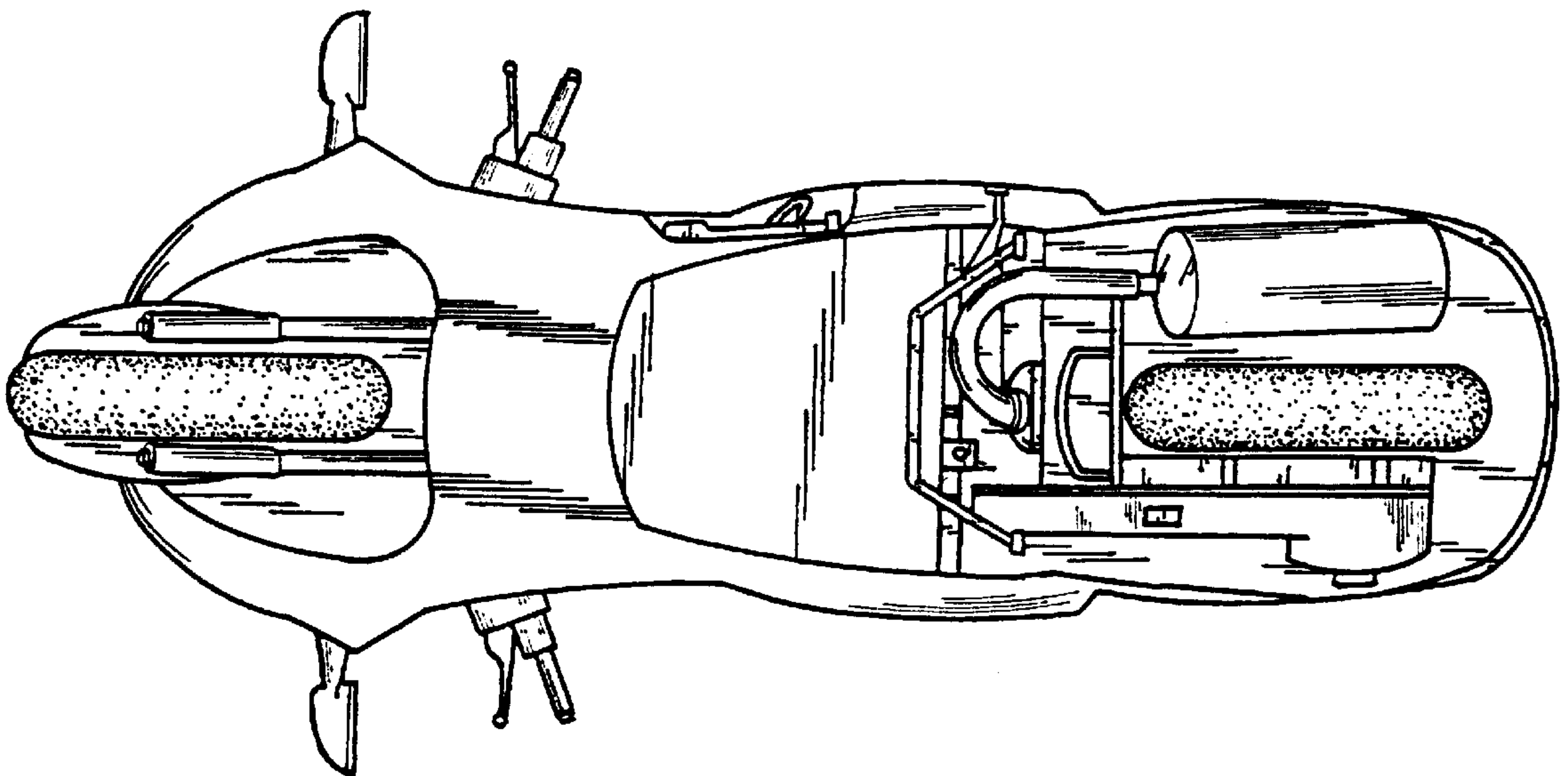


FIG. 7