



US00D443848S

(12) **United States Design Patent**
Fischer et al.

(10) **Patent No.:** **US D443,848 S**

(45) **Date of Patent:** **** Jun. 19, 2001**

(54) **TRUCK FRAME CROSSMEMBER**

4,645,227 2/1987 Callahan .
5,265,907 11/1993 Tostado .
5,415,107 5/1995 Tutzauer .

(75) Inventors: **Kenneth S. Fischer; David A. Melton,**
both of Portland, OR (US); **Roger P.**
Penzotti, Mount Vernon, WA (US);
Jonathan L. Land, Flower Mound, TX
(US)

* cited by examiner

(73) Assignee: **PACCAR Inc.,** Bellevue, WA (US)

Primary Examiner—Melody N. Brown
(74) *Attorney, Agent, or Firm*—Christensen O'Connor
Johnson & Kindness PLLC

(**) Term: **14 Years**

(57) **CLAIM**

(21) Appl. No.: **29/130,882**

The ornamental design for a truck frame crossmember, as shown and described.

(22) Filed: **Oct. 10, 2000**

DESCRIPTION

Related U.S. Application Data

(62) Division of application No. 29/114,465, filed on Nov. 29, 1999, now Pat. No. Des. 436,558.

FIG. 1 is a top perspective view of a truck frame crossmember;

(51) **LOC (7) Cl.** **12-08**

FIG. 2 is a bottom perspective view of the design;

(52) **U.S. Cl.** **D12/93**

FIG. 3 is a top plan view of the design;

(58) **Field of Search** D12/93, 96, 97,
D12/98, 99, 196; 296/180.1, 180.2, 181,
183; 280/788, 711-713, 498; 105/118.2

FIG. 4 is a bottom plan view of the design;

FIG. 5 is a side view of the design, as viewed from either side; and,

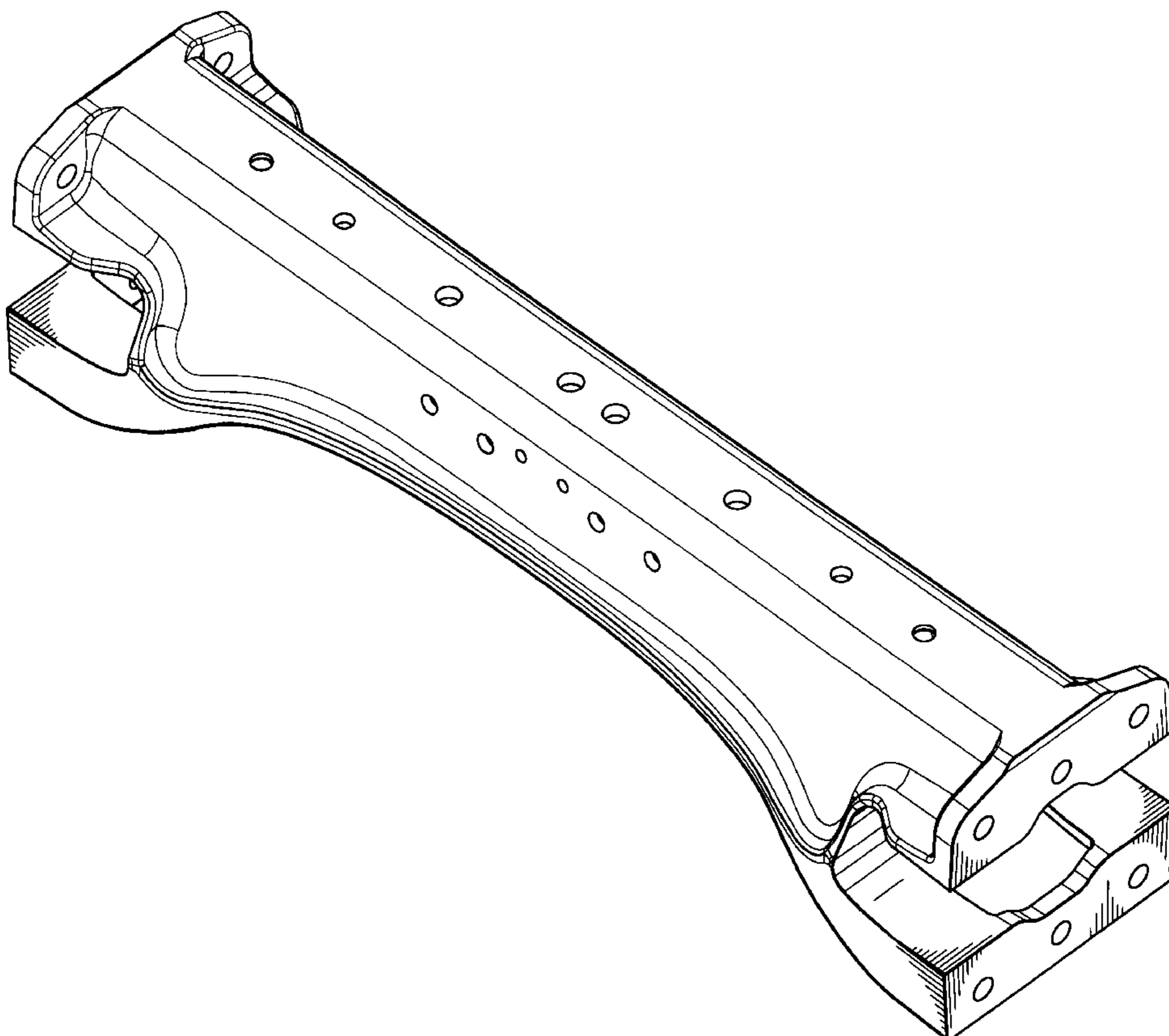
(56) **References Cited**

FIG. 6 is an end view of the design, as viewed from either end.

U.S. PATENT DOCUMENTS

D. 436,558 * 1/2001 Fischer et al. D12/93

1 Claim, 4 Drawing Sheets



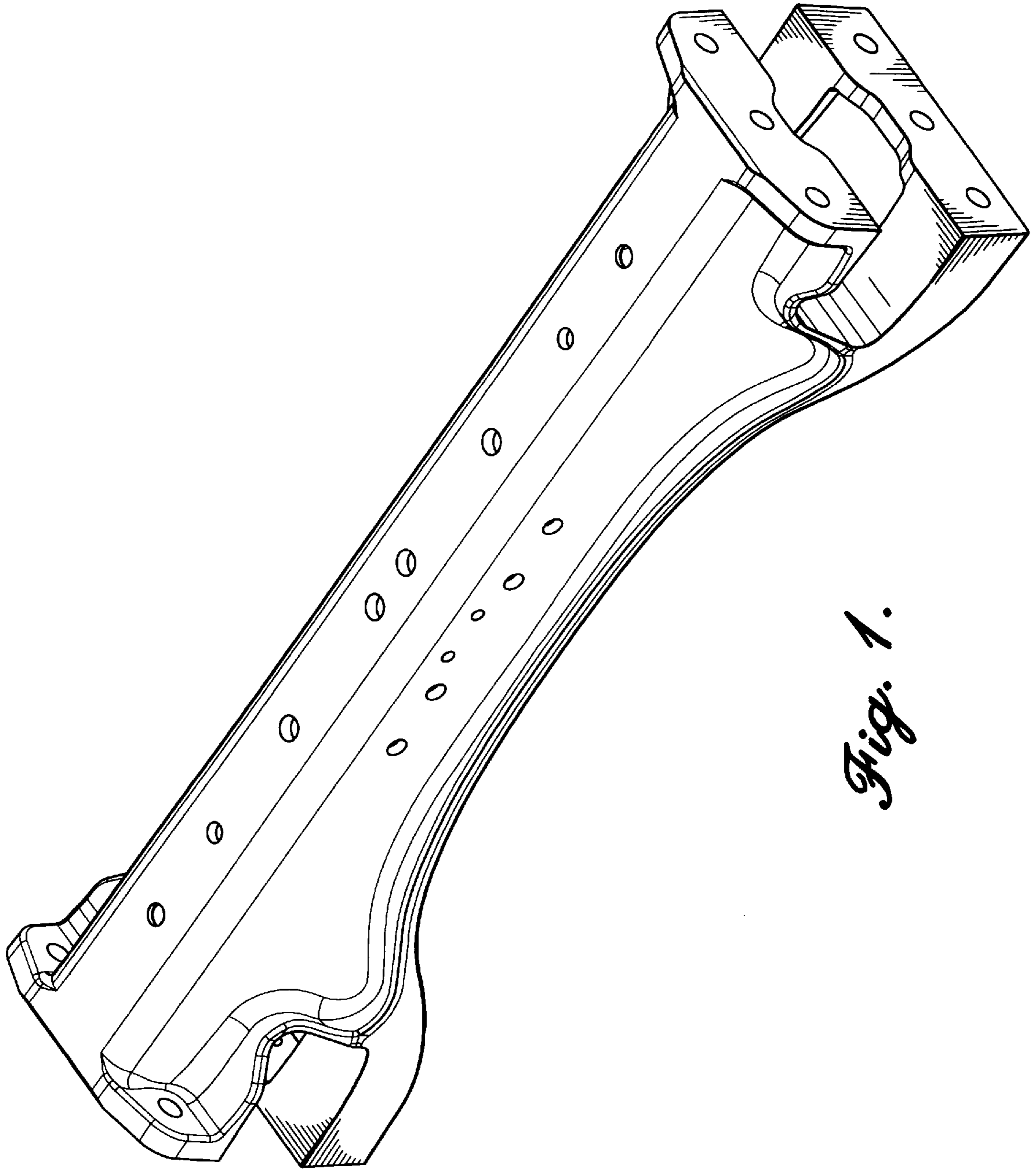


Fig. 1.

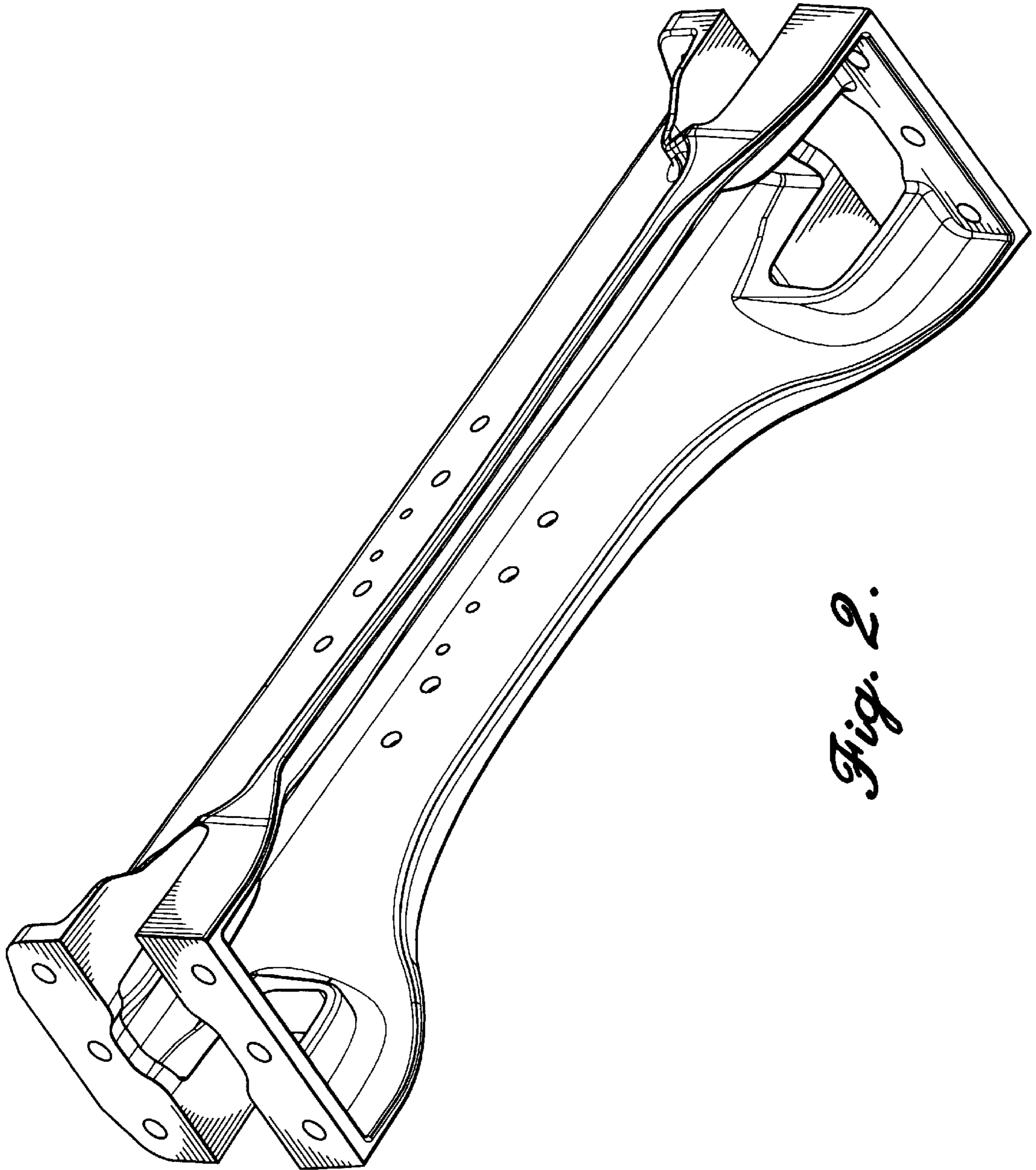


Fig. 2.

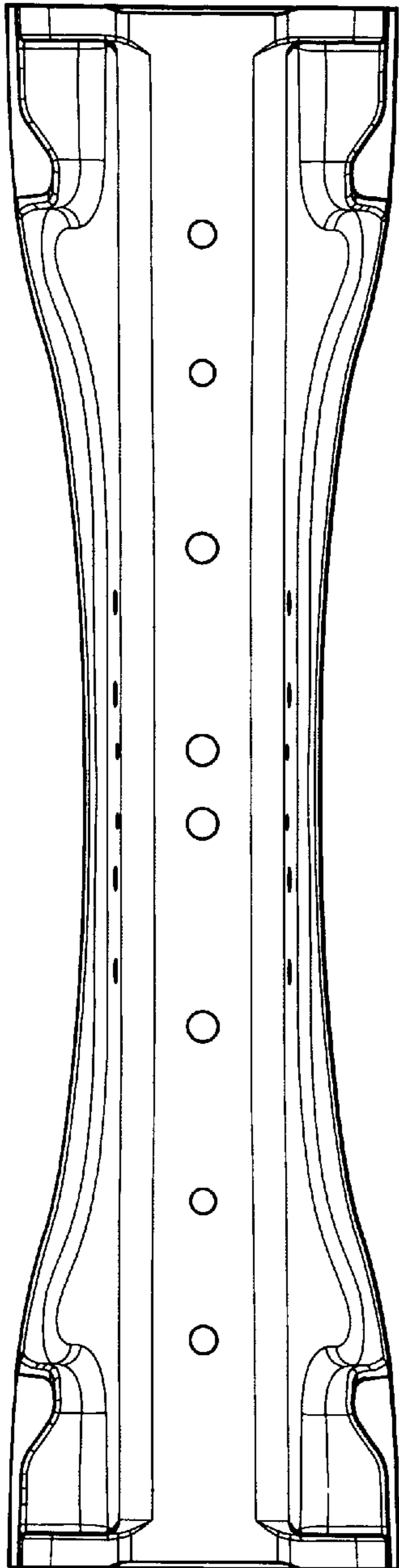


Fig. 3.

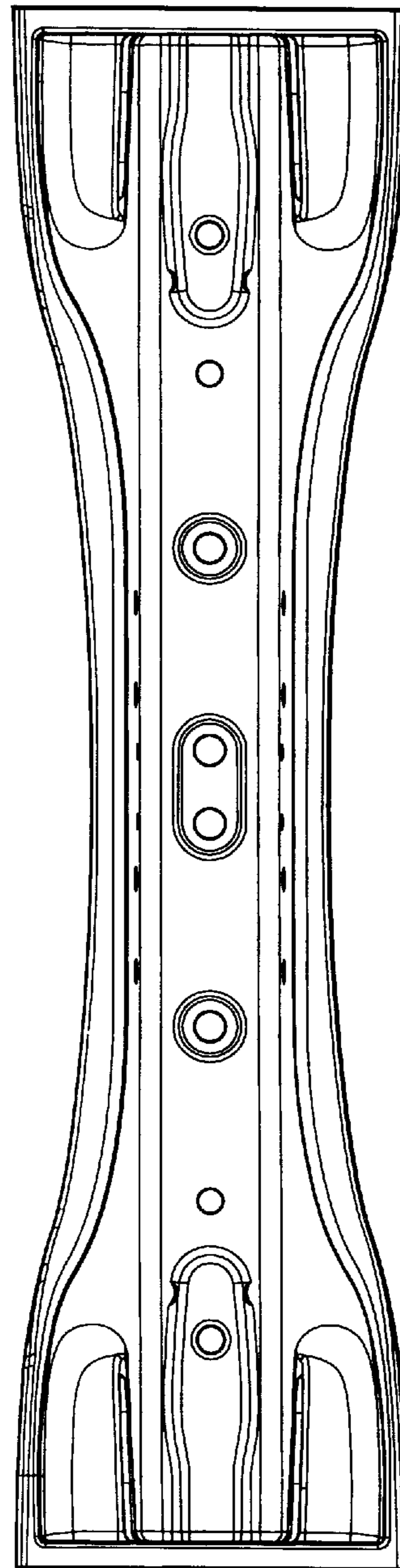


Fig. 4.

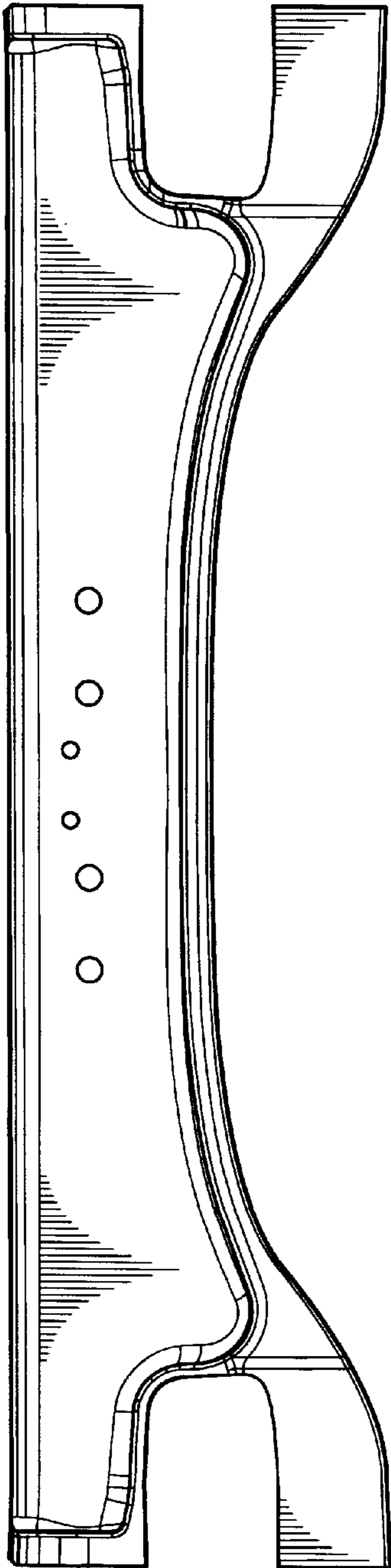


Fig. 5.

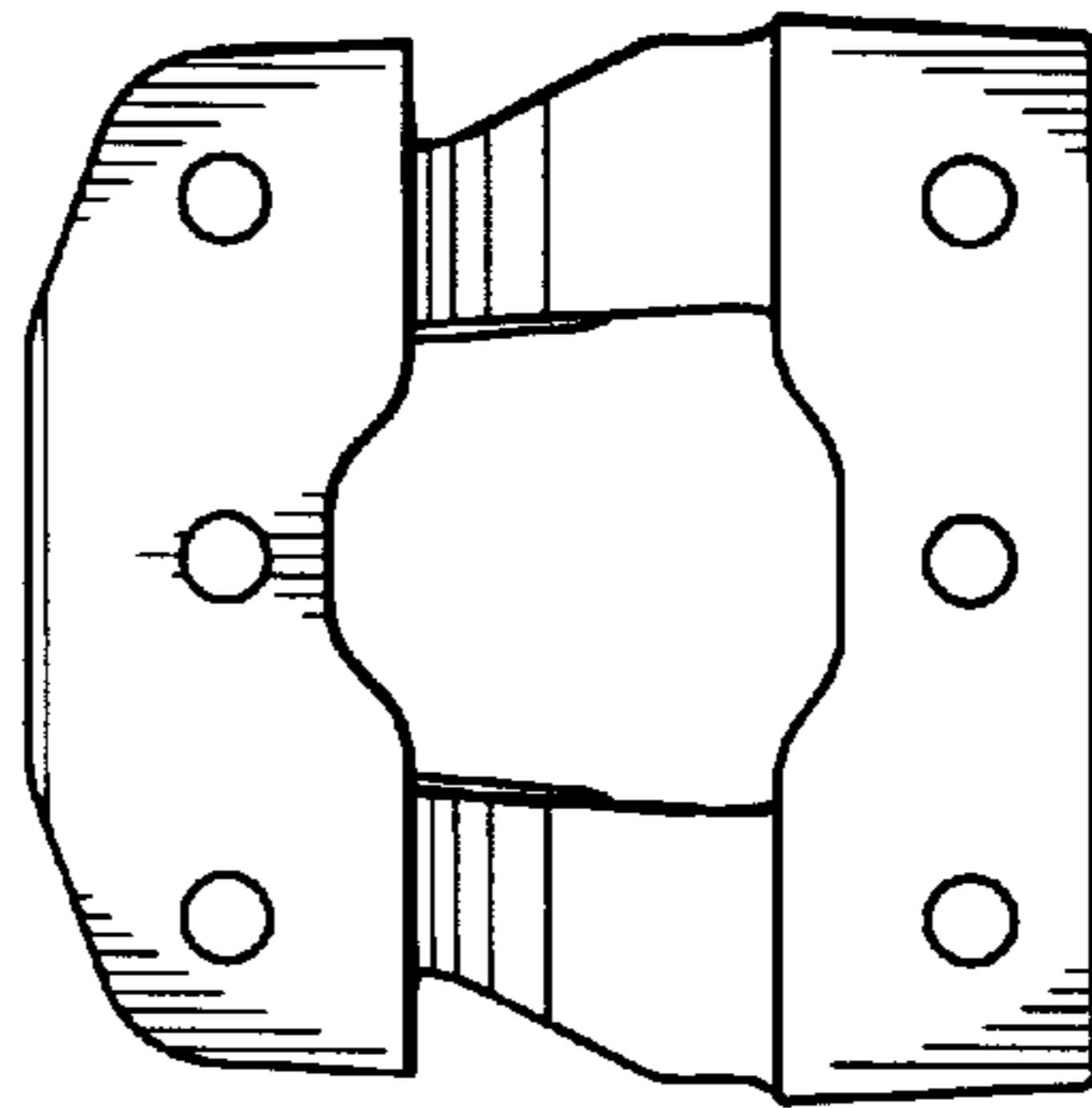


Fig. 6.