



US00D443839S

(12) **United States Design Patent**  
**Brandenberg et al.**

(10) **Patent No.:** **US D443,839 S**

(45) **Date of Patent:** **\*\* Jun. 19, 2001**

(54) **LOCATION-AWARE WIRELESS COMMUNICATION APPLIANCE**  
  
(75) Inventors: **Carl Brock Brandenberg**, Cresson; **R. Brandon Cotter**, Dallas; **Steven DeVoll, Jr.**, Plano; **Robert L. Kay**; **Kenneth J. Maxwell**, both of Fort Worth; **C. Michael Reyher**, Coppell, all of TX (US)

(73) Assignee: **Stick Networks, Inc.**, Dallas, TX (US)

(\*\*) Term: **14 Years**

(21) Appl. No.: **29/128,969**

(22) Filed: **Sep. 5, 2000**

(51) **LOC (7) Cl.** ..... **10-04**

(52) **U.S. Cl.** ..... **D10/65; D10/78; D14/100**

(58) **Field of Search** ..... D10/65, 78; D14/100, D14/106, 113, 115, 218; D19/26, 52, 59, 60; 73/178 R; 178/18.01, 18.02, 18.05, 18.06; 340/995, 825.44; 342/98, 102, 113, 115, 352, 356, 359, 417-451; 345/104, 156, 173, 174, 178; 349/12; 364/708.1, 200, 434, 444, 449, 451, 709.11; 379/433; 434/307-309

(56) **References Cited**

**U.S. PATENT DOCUMENTS**

- D. 366,220 \* 1/1996 Sakamoto ..... D10/65
- D. 383,400 \* 9/1997 Wada ..... D10/65
- D. 397,046 \* 8/1998 Oshizawa ..... D10/65

- D. 412,156 \* 7/1999 Mizusugi et al. .... D14/100
- D. 413,582 \* 9/1999 Tompkins ..... D14/100
- D. 417,201 \* 11/1999 Davis ..... D14/100
- 5,929,771 \* 7/1999 Gaskill ..... 340/825.44
- 5,936,609 \* 8/1999 Matsuoka et al. .... 345/156
- 5,956,021 \* 9/1999 Kubota et al. .... 345/179
- 6,065,187 \* 5/2000 Mischenko ..... 16/341
- 6,130,665 \* 10/2000 Ericsson ..... 345/173

\* cited by examiner

*Primary Examiner*—Antoine Duval Davis

(74) *Attorney, Agent, or Firm*—James E. Walton; Hill & Hunn, LLP

(57) **CLAIM**

The ornamental design for a location-aware wireless communication appliance, as shown and described.

**DESCRIPTION**

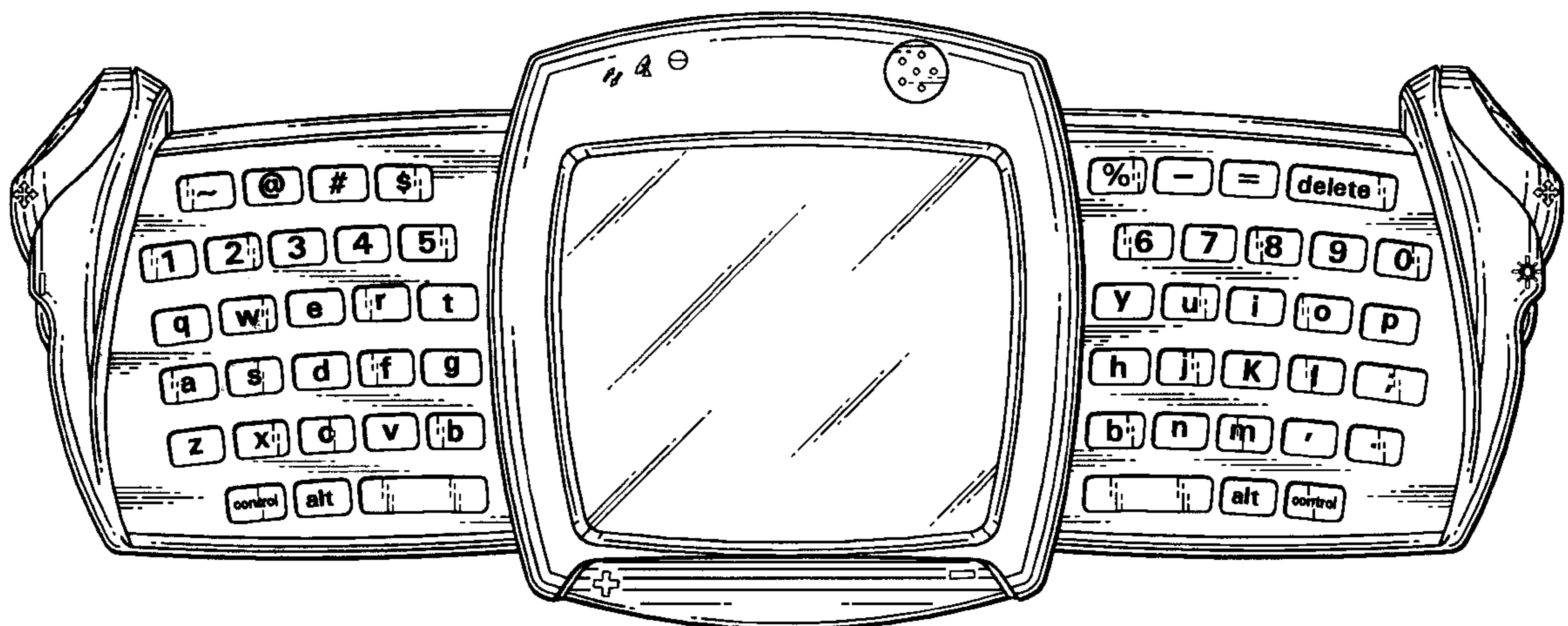
FIG. 1 is a front view of the location-aware wireless communication appliance according to the present invention in a closed mode.

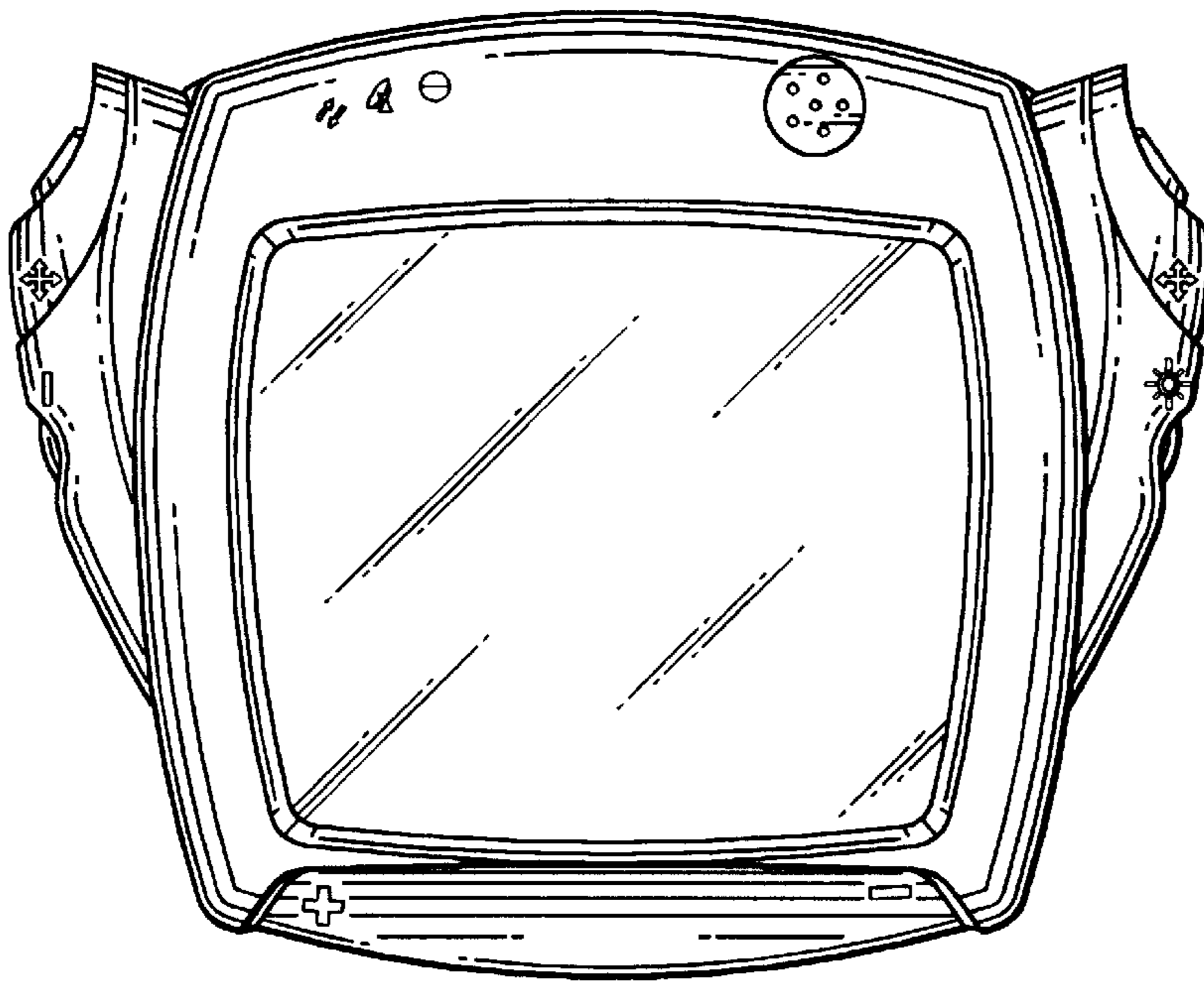
FIG. 2 is a rear view of the location-aware wireless communication appliance according to the present invention in the closed mode.

FIG. 3 is a right side view of the location-aware wireless communication appliance according to the present invention in the closed mode; and,

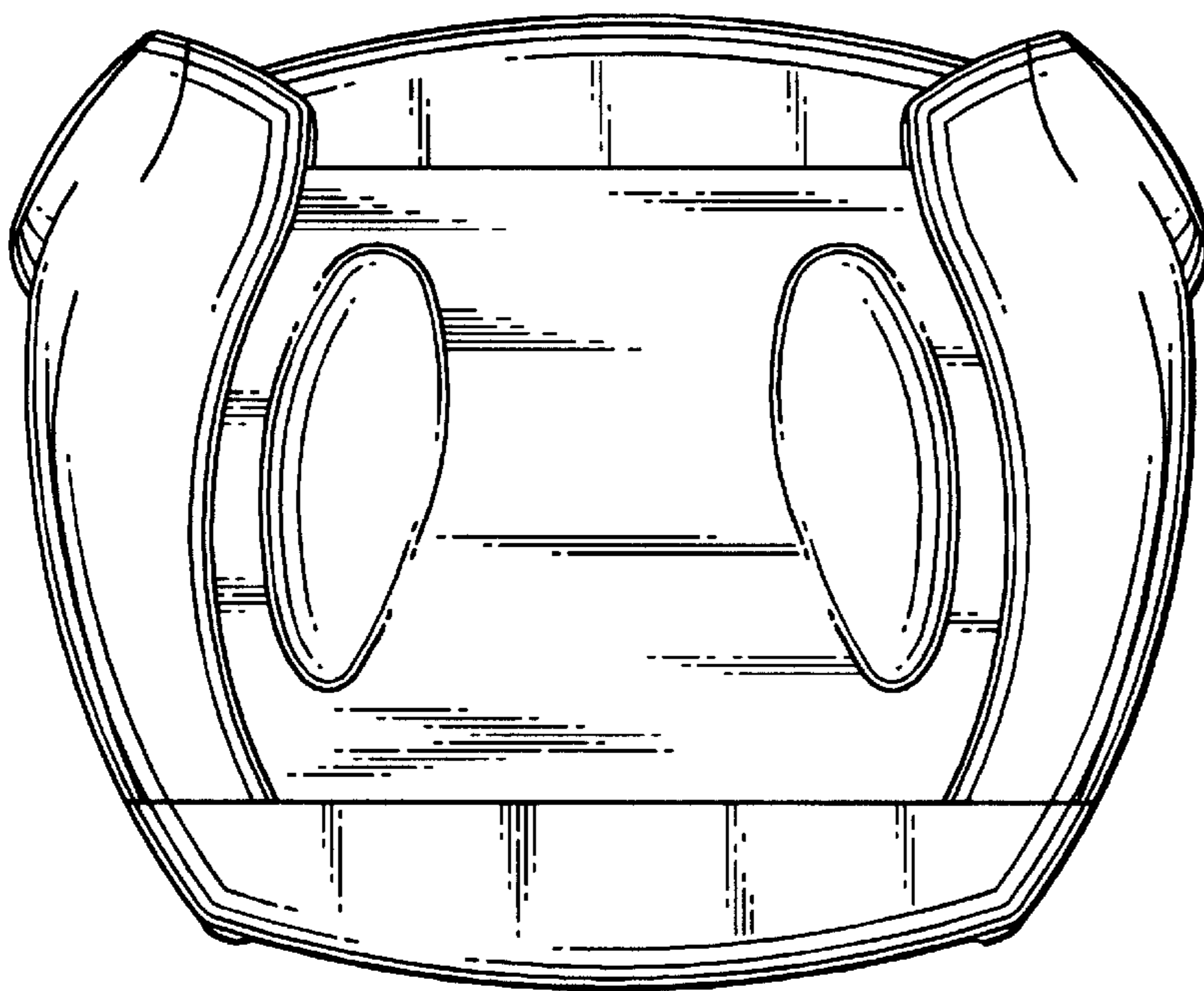
FIG. 4 is a front view of the location-aware wireless communication appliance according to the present invention in an open mode.

**1 Claim, 2 Drawing Sheets**

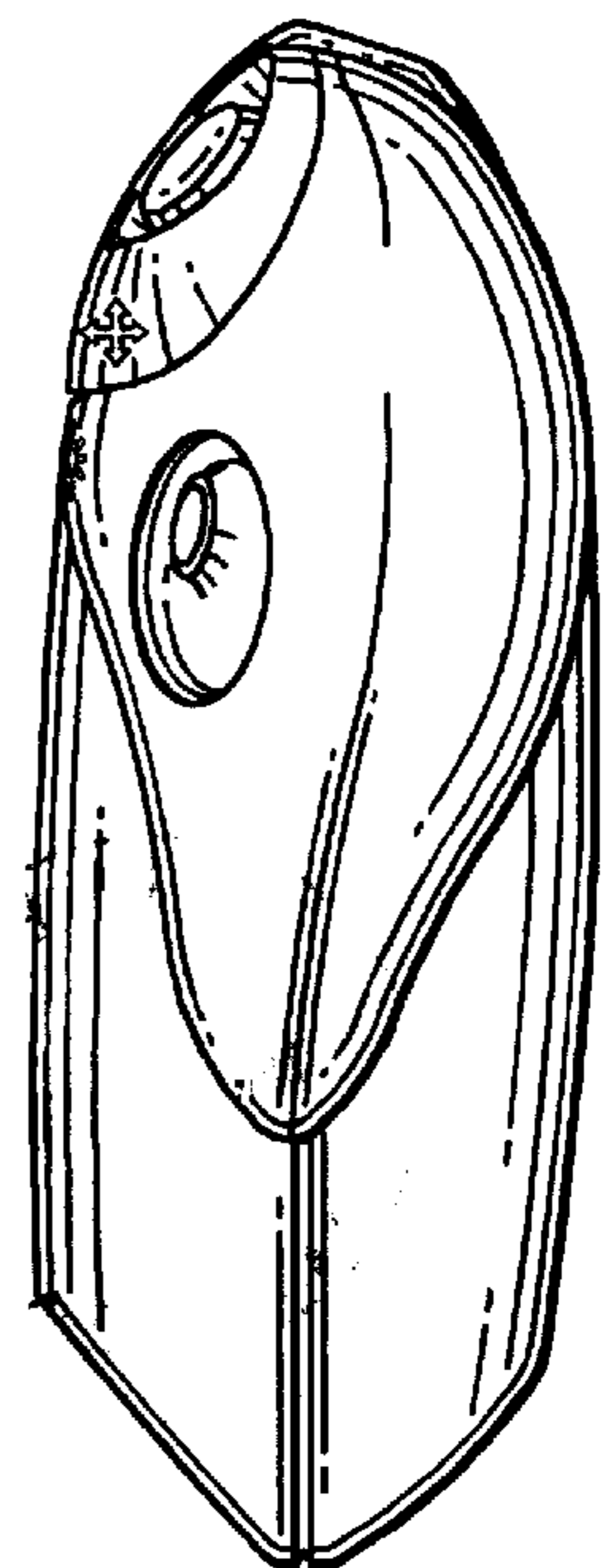




*Fig. 1*



*Fig. 2*



*Fig. 3*

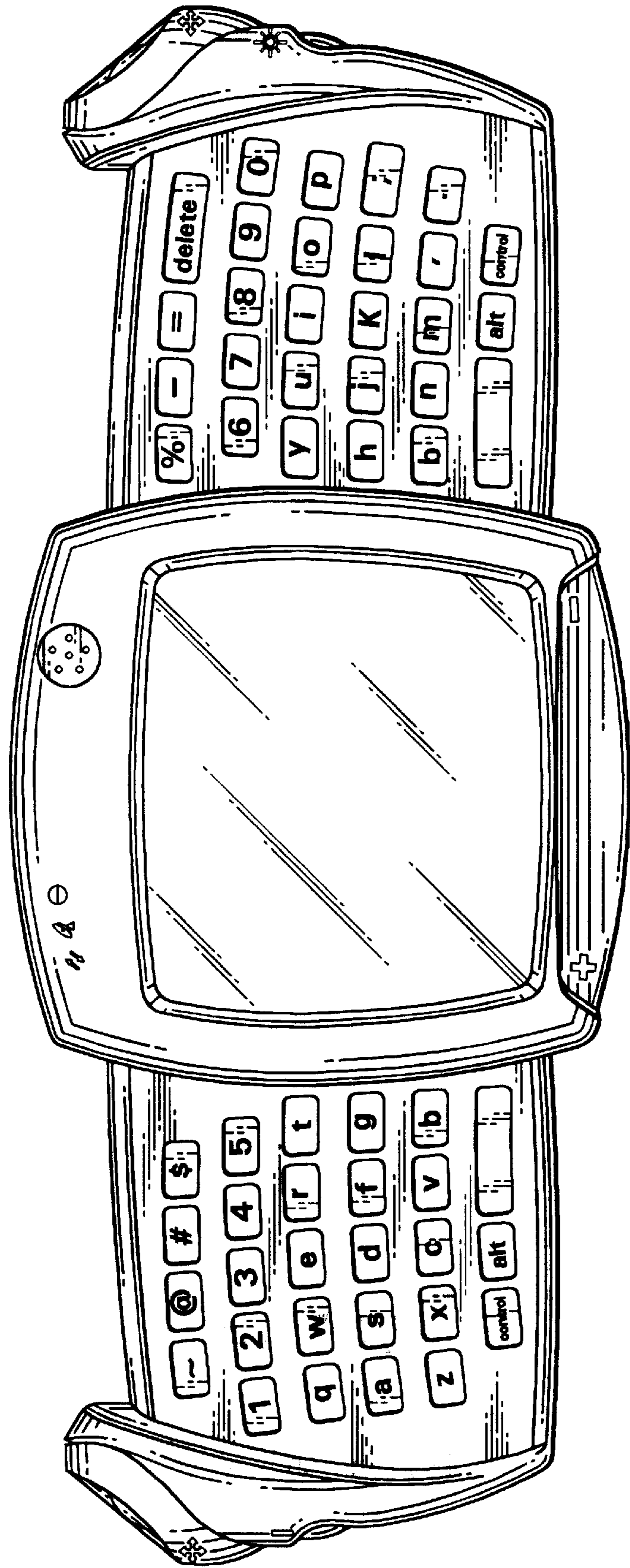


Fig. 4